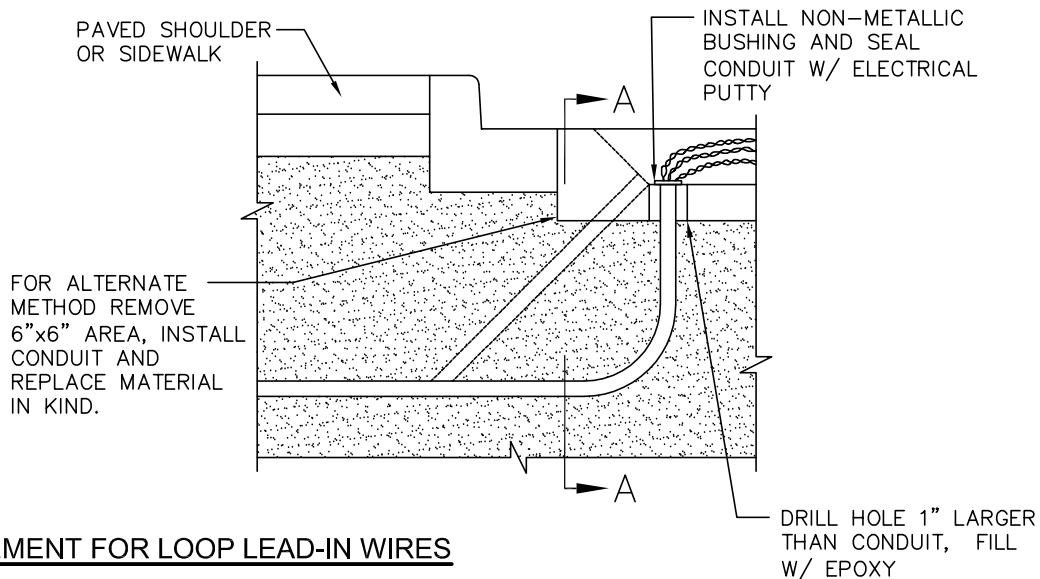
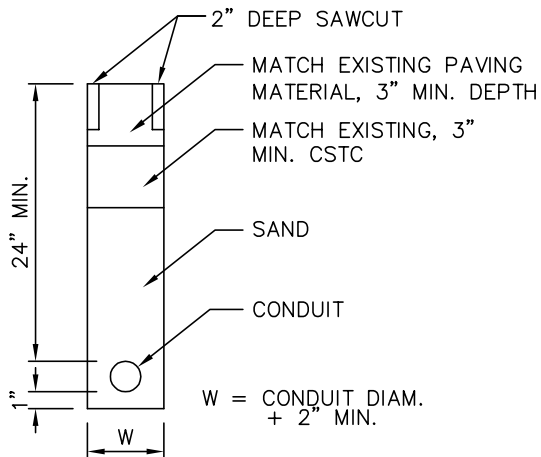


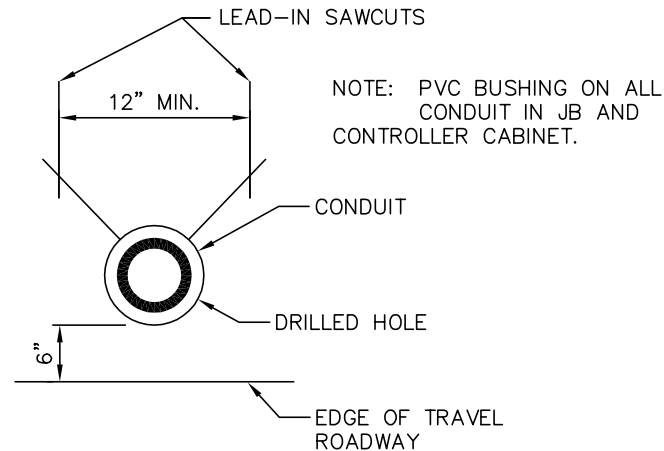
SUPPLEMENTAL SPLICES IF REQUIRED IN PLANS (SEE LOOP INSTALLATION NOTES)



TYPICAL CONDUIT PLACEMENT FOR LOOP LEAD-IN WIRES



SECTION A-A



LEAD-IN SAWCUTS AND CONDUIT PLACEMENT DETAIL



TYPICAL CONDUIT PLACEMENT FOR LOOP DETECTORS

DRAWING NUMBER	SL-330-1
SCALE	NONE
REVISION DATE	12/16
DEPARTMENT	TRANS