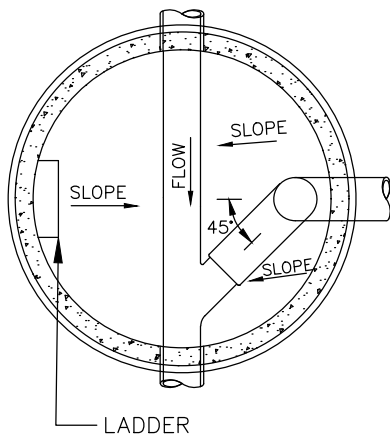
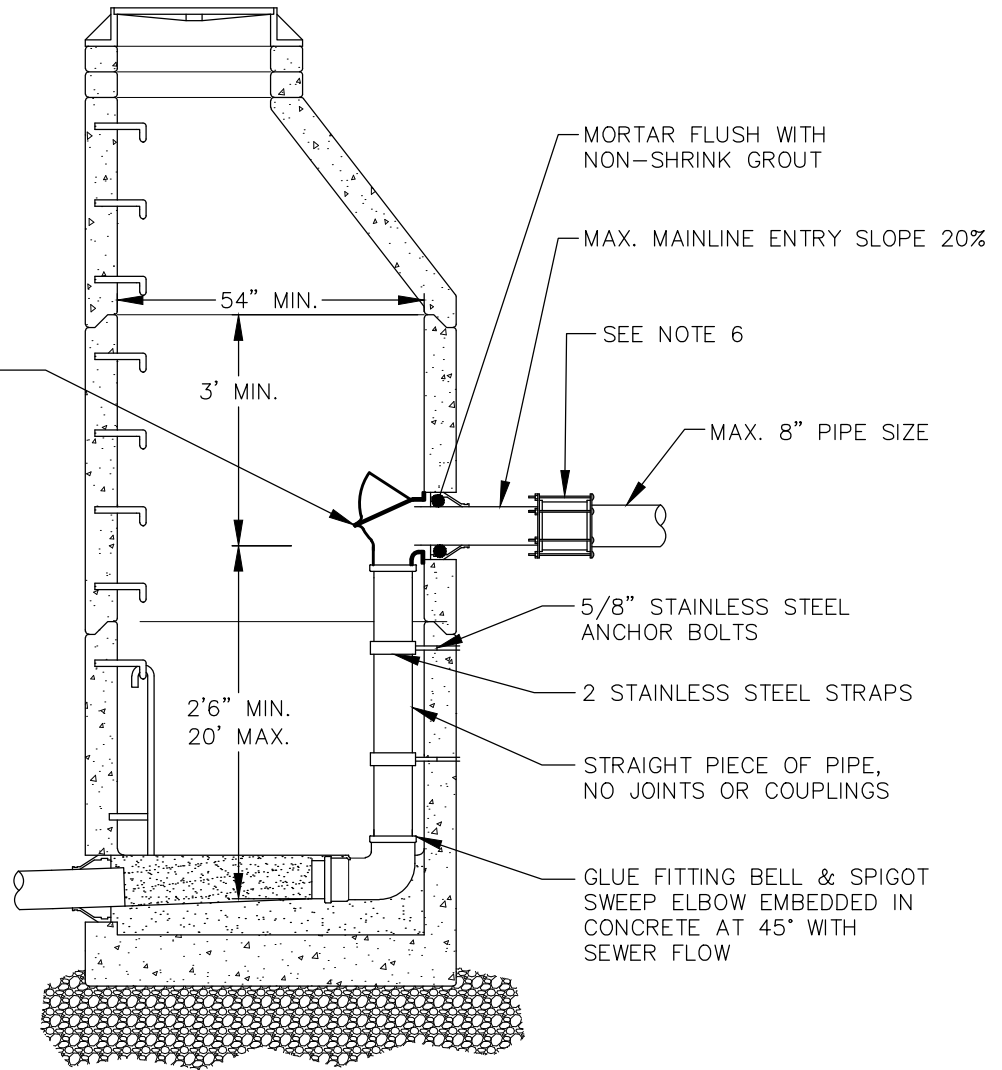


INSIDE DROP BOWL MOUNTING POSITION

INSIDE DROP BOWL SECURED WITH 5/8" STAINLESS STEEL ANCHOR BOLTS



INSIDE DROP - PLAN



MORTAR FLUSH WITH NON-SHRINK GROUT

MAX. MAINLINE ENTRY SLOPE 20%

SEE NOTE 6

MAX. 8" PIPE SIZE

5/8" STAINLESS STEEL ANCHOR BOLTS

2 STAINLESS STEEL STRAPS

STRAIGHT PIECE OF PIPE, NO JOINTS OR COUPLINGS

GLUE FITTING BELL & SPIGOT SWEEP ELBOW EMBEDDED IN CONCRETE AT 45° WITH SEWER FLOW

- NOTES:
1. MANHOLE SHALL CONFORM TO GENERAL NOTES AND ALL APPLICABLE REQUIREMENTS OF STANDARD DETAIL S-1.
  2. DROP BOWL TO BE INSTALLED MINIMUM OF 3' BELOW CONE SECTION.
  3. INSIDE DROP SHALL BE CONSTRUCTED USING ASTM D3034 SDR 35 PIPE AND FITTING.
  4. RECHANNEL BASE WITH 3000 PSI CONCRETE. WIDTH AND DEPTH OF CHANNEL MUST EQUAL THE LARGEST PIPE DIAMETER WITH A SLOPE OF 2% MIN. CHANNEL WALLS MUST BE VERTICAL. SLOPE SHELF TO CHANNEL AT 1" PER FOOT MIN.
  5. CORE DRILL OPENINGS FOR NEW PIPE AND USE KOR-N-SEAL CONNECTORS OR EQUAL.
  6. USE MECHANICAL TRANSITION COUPLING (SEE APPROVED MATERIAL LIST) WHEN CONNECTING TO EXISTING SEWER MAINLINE.
  7. CONE MAY NEED TO BE ROTATED AND/OR LADDER MOVED.
  8. MINIMUM MANHOLE SIZE IS 54".
  8. MAXIMUM OF 2 DROPS PER STRUCTURE.



City of Bellevue

SEWER UTILITIES

TITLE

INSIDE DROP STRUCTURE