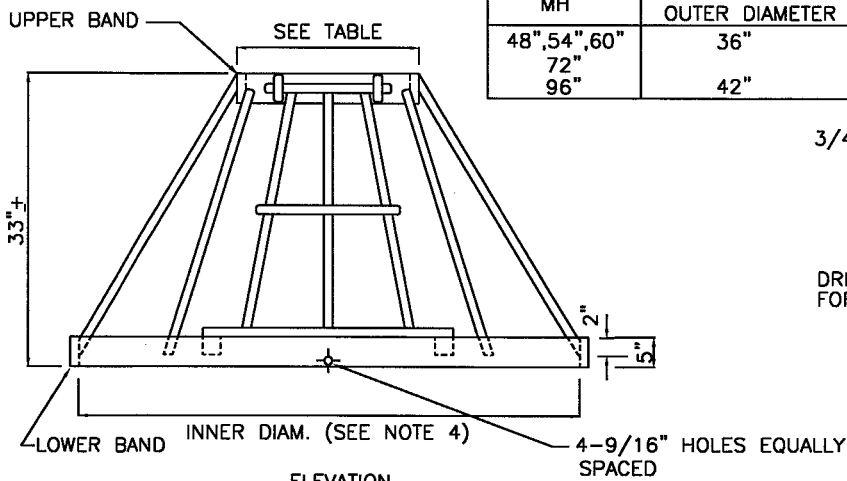
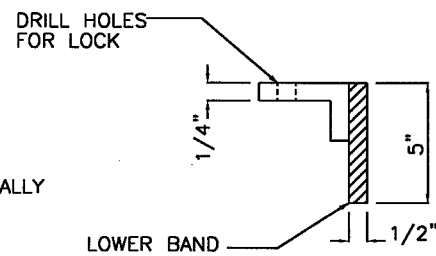
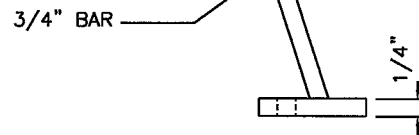
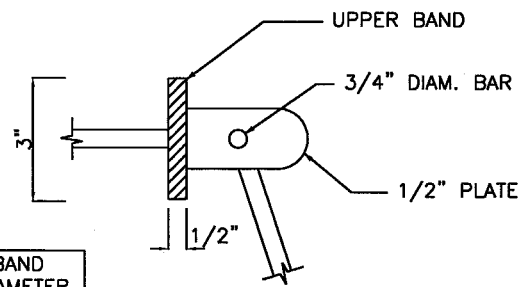


PLAN



ELEVATION

MH	UPPER BAND OUTER DIAMETER
48", 54", 60"	36"
72"	42"
96"	42"



ENTRY GATE DETAIL

NOTES:

1. ALL STEEL IN PLATES, BARS AND BANDS SHALL CONFORM TO THE REQUIREMENTS OF ASTM A36.
2. STEEL DEBRIS CAGE SHALL BE HOT-DIP GALVANIZED IN ACCORDANCE WITH ASTM A123 (AASHTO M111).
3. ALUMINUM IS AN OPTIONAL CAGE MATERIAL.
4. COVER BAND DIMENSIONS TO MATCH STRUCTURE.



City of Bellevue

SURFACE WATER UTILITY

TITLE

DEBRIS CAGE