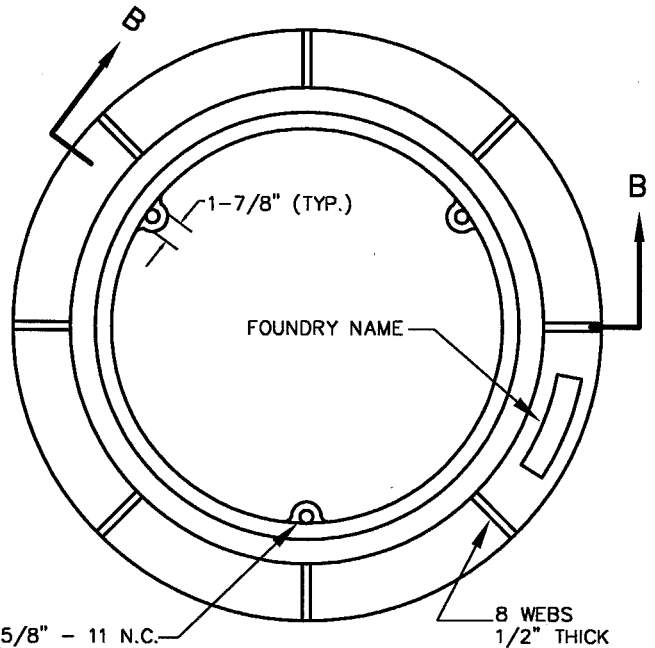
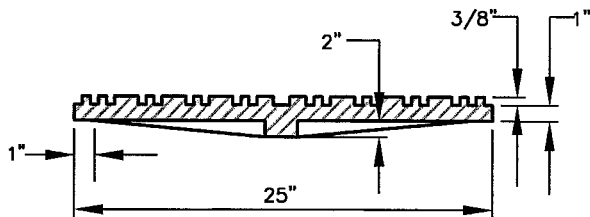


COVER PLAN

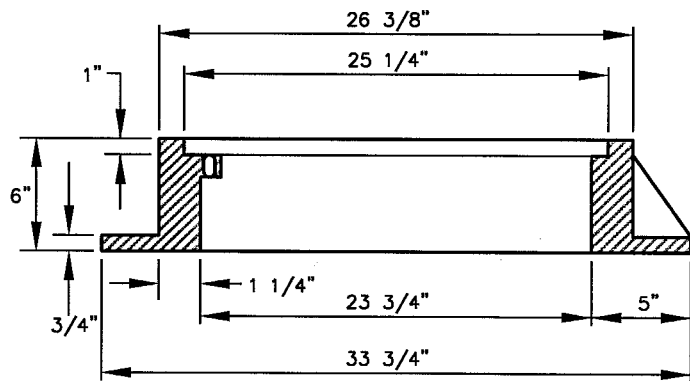


RING PLAN

DRILL & TAP: 5/8" - 11 N.C.
120 DEGREES (TYP. 3PL.)



SECTION A-A



SECTION B-B

COVER NOTES:

1. USE WITH THREE LOCKING BOLTS 5/8"-11 NC STAINLESS TYPE 304 STEEL SOCKET HEAD (ALLEN HEAD) BOLTS, 2" LONG. DRILL HOLES SPACED 120', TO MATCH HOLES IN RING.
2. COVER MATERIAL IS DUCTILE IRON ASTM A536 GRADE 80-55-06.
3. SHALL CONFORM TO SEC. 9-05.15 OF THE STANDARD SPECIFICATIONS, AS MODIFIED HEREIN.
4. APPROXIMATE WEIGHT OF COVER IS 150 LBS.
5. RATING - H20.

RING NOTES:

1. DRILL AND TAP THREE 5/8"-11 NC HOLES THROUGH RING AT 120'.
2. RING MATERIAL IS GREY IRON, ASTM A-48 CLASS 30.
3. SHALL CONFORM TO SEC. 9-05.15 OF THE STANDARD SPECIFICATIONS, AS MODIFIED HEREIN.
4. APPROXIMATE WEIGHT OF RING IS 215 LBS.
5. RATING - H20.

OLYMPIC FOUNDRY MH30AD/T , OR EQUAL.



City of Bellevue

SURFACE WATER UTILITY

TITLE

24" BOLT-LOCKING MANHOLE
RING & COVER

JULY, 1998

NO SCALE

NO. D-22