



TABLE OF CONTENTS

Introduction	3
1.1 Purpose	5
1.1.1 Policy	5
1.1.1A Responsibilities	6
1.1.2 Service Connections	6
1.1.3 Schedule for Evaluations & Re-evaluations	7
1.1.4 New Connections	7
1.1.5 Existing Connections	8
1.1.6 Existing Commercial Connections	8
1.1.7 All Service Connections	9
1.1.8 Fire Connections	11
1.1.9 Procedures for Field Inspection (Water Use Survey)	12
1.1.10 Backflow Preventers	14
a. Approval of Backflow Preventers	14
b. Installation of Backflow Preventers	15
c. Inspection and/or Testing of Backflow Preventers	17
1.1.11 Backflow Assembly Testing Quality Control Assurance	18
1.1.12 Backflow Incident Response Procedure	20
1.1.13 Cross Connection Education	21
1.1.14 Records and Reports	22
a. Service Connection Master List	22
b. Inventory Information	22
c. Annual Summary Report	22
1.1.15 Reclaimed Water	26

1.1.16	Notification Procedures for Backflow Assembly Testing	27
1.1.17	Tanker Truck and Trailer Requirements	28
1.1.18	Hydrant Use Requirements	29

WAC 246-290-490 10 Elements of a Cross Connection Control Program

•	<i>Element 1</i>	5
•	<i>Element 2</i>	6
•	<i>Element 3</i>	14
•	<i>Element 4</i>	16
•	<i>Element 5</i>	17
•	<i>Element 6</i>	18
•	<i>Element 7</i>	20
•	<i>Element 8</i>	21
•	<i>Element 9</i>	22
•	<i>Element 10</i>	26

Appendix

- A. Definitions, Abbreviations and Acronyms
- B. Section 24.02.190 Bellevue City Code
- C. Cross-Connection Memorandum of Understanding with AHJ
- D. WAC 246-290-490, 033, 034, & 036
- E. WAC 51-56-0600 Chapter 6 of the UPC
- F. Enforcement Action and Business Process
- G. Drinking Water Quality Emergency Response Plan
- H. Backflow Prevention Test Report
- I. Washington State Approved Assemblies
- J. AWWA Recommended Protection at Fixtures and Equipment
- K. City of Bellevue Specifications
- L. Fire Hydrant Permit-Tank Lot Permits & Fire Hydrant Operation
- M. Reference Guide



CITY OF BELLEVUE CROSS-CONNECTION CONTROL PROGRAM INTRODUCTION

Congress passed the “Safe Drinking Water Act” with the intent of protecting the public health and welfare of all public water supply users in the United States. The Environmental Protection Agency (EPA) interpreted this mandate to mean that certain contaminants should not be found in water “delivered to the free flowing outlet of the ultimate user.” Thus, these contaminants became the responsibility of the water purveyor (City of Bellevue). The EPA specifically exempted contaminants added to the water under controlled circumstances by the user (except for plumbing corrosion by-products). This was not, however, intended to absolve the purveyor of the responsibility to conduct a cross connection control program.

In cross connection control, the City of Bellevue’s responsibility is to protect the water distribution system from contamination. The greatest public health risk lies in the introduction of a contaminant into the public water supply system because the water distribution system can provide the conduit for the spread of the contaminant to a large population. Cross connections within the customer’s plumbing system and within the purveyor’s distribution system pose a potential source for the contamination of the public water supply.

Once water leaves the control of the water purveyor (i.e., leaves the distribution system), the water purveyor must consider the possibility that the water could become contaminated. Accordingly, the water purveyor must consider the plumbing systems of all customers to be a potential health hazard. The hazard, and the health risk, may vary from minor to severe. The purveyor’s cross connection control program should be based on the supposition that all customers should be isolated at the property line (meter) with an approved air gap, unless the purveyor is satisfied with the level of protection provided by the customer. Notwithstanding this basic supposition, the water purveyor should recognize the practical needs of the customer, and the responsibility of other regulatory agencies to protect the customer’s plumbing system from becoming contaminated.

The water purveyor’s satisfaction in the customer’s reduction of their possible cross connection risk is a factor in determining the purveyor’s requirement for premises isolation. Premise isolation may be reduced from an approved air gap, to a reduced pressure backflow assembly, double check valve assembly, or no premises isolation at all.

To protect occupants of the customer's premises, it is necessary to isolate areas of the premises and/or each outlet, fixture or use rather than to install backflow protection at the meter. Generally, the prevention of contamination of the water distribution system or potable water system in a building is of concern to the following:

- The water purveyor (City of Bellevue Utilities)
- The plumbing inspector (City of Bellevue Planning & Community Development)
- The local health inspector (Seattle & King County Public Health)
- Worker safety regulations (Washington State Department of Labor & Industries)
- The agency with oversight of water systems (Washington State Department of Health)

A Cross connection program may be administered by any or all of the above. To avoid confusion, it is desirable for the water purveyor to have a joint or cooperative program with the other agencies having jurisdiction. Unfortunately, although each has the same overall goal of preventing contamination, each has a different enforcement criteria, authority and responsibility that may prevent a subordination of its authority to another agency.

The need to eliminate cross connections as a source of potential contamination has been long recognized in plumbing design and plumbing code enforcement. However, plumbing codes address cross connections only in very general terms. Few details are provided to specify methods of identifying and preventing cross connections. This is because it is impractical to cover in a plumbing code all of the information needed to control cross connections.

The plumbing code addresses the plumbing design and installation in new buildings. Generally, once a building occupancy permit is given, plumbing code jurisdiction effectively ceases until a permit is requested to modify the plumbing system. Changes to a plumbing system are often made without a permit. New equipment may be added; piping, fixtures and appliances may wear out, malfunction, or be relocated. New cross connections may then be created. Backflow prevention assemblies and devices installed under the plumbing code to protect the public could be removed, bypassed or fail to operate due to the lack of maintenance. For these reasons, it is recommended that a water purveyor not place full reliance on the enforcement of the plumbing code to protect the public water supply from contamination through cross connections – particularly on an ongoing basis.

The history of cross connection control has provided regulatory authorities with sufficient information to establish a list of those premises where high health hazard cross connections exist, or where the potential hazard is so great that these premises must be isolated from the water purveyor's system. Some states and provinces have established mandatory protection for these premises. However, it is important that each premise be surveyed individually to assess the degree of hazard and the corresponding backflow prevention assembly requirements. Never assume that all premises of the same kind will require the same type of backflow protection. Experience has shown that the water purveyor is in a unique position to implement and administer a cross connection control program. The water purveyor has authority to supply water to a customer and to establish standards and remedies for a breach of those standards. The City of Bellevue cross connection control program is needed to effectively deal with all aspects of the public health posed by cross connections.

CITY OF BELLEVUE UTILITIES

Element 1: Adoption of a written legal instrument authorizing the establishment and implementation of a CCC program.

1.1 Cross Connection Control Program

PURPOSE: The purpose of the City of Bellevue (the City) cross-connection control program (CCP) is to protect the public water system from contamination via cross-connection. City of Bellevue Code 24.02.190 gives authority to operate the CCP, which meets the State of Washington regulation WAC 246-290-490.

1.1.1 Policy

The City will ensure that cross-connections between the distribution system and a customer's premises are eliminated or controlled by the installation of a State of Washington approved backflow preventer that is equal to the degree of hazard. The City will operate a combination program whereby premises isolation requires backflow protection with an Air Gap (AG) or a Reduced Pressure Backflow Assembly (RPBA). In-premises isolation backflow protection protecting the Public Water System (within the customer's property lines) will be permitted if there is no high health hazard and the CCS coordinates with the Authority Having Jurisdiction (AHJ).

The final building construction approval and occupancy shall not be granted by the Authority Having Jurisdiction until final cross-connection compliance by a State Certified Cross-Connection Control Specialist, under guidance of the City's Cross Connection Control Program Manager

The customer is responsible for the expense to protect the public water system from backflow contamination by installing, maintaining and testing backflow assemblies in accordance with the City Cross-Connection Program. Failure of the customer to cooperate in the installation, maintenance, repair, inspection or testing of backflow prevention assemblies required by the City may be grounds for termination of water service to the premise, or, escalating enforcement civil violations code 1.18

In the event the water purveyor must initiate action to enforce compliance with the Ordinance on this program, all costs incurred enforcing the action shall be borne by the properties responsible party.

The City will refer to the Pacific Northwest Section AWWA Cross-Connection Control Manual Accepted Procedure and Practice (most current edition) and the current Manual of Cross-Connection Control (USC Manual) on issues concerning cross-connection control.

A. Responsibilities

The City will not be responsible for any loss or damage caused by any negligence or wrongful act of a customer or his authorized representative in installing, maintaining, operating or using any and/or all appliances, facilities, or equipment for which water service is supplied. In addition, the City will not be responsible for adverse consequence to the consumer's water system through the requirement of backflow protection. The customer will be held responsible for health and safety impacts on the water system as well as damage to the City facilities and other property resulting from the use and operation of appliances and facilities on the customer's premises, including damage caused by steam, hot water, chemical, etc.

***Element 2:** Development and implementation of procedures and schedules for evaluating new and existing service connections to assess the degree of hazard.*

1.1.2 Service Connections

Water service connections to the City public water system must meet the state of Washington Cross-connection Control requirements outlined in WAC-246-290-490. The City shall ensure that the customer installs a State of Washington approved backflow preventer that is commensurate with the degree of hazard on all identified cross connections. All high hazard service connections to the City public water system are required to have premises isolation backflow protection that shall be a CCS approved air gap (AG) or a State of Washington approved RPBA directly behind the City water meter or an alternate location approved by the CCS installed by the customer at the customer's expense. The RPBA shall be installed to the City specifications and the customer is responsible to have the RPBA tested in accordance with the City cross-connection control test schedule annually or as required by City and State regulations. In-premises isolation will be permitted if the criteria for premises isolation is met and the CCS and AHJ agree that the level of backflow protection is commensurate to the degree of hazard.

There is no grandfathering that can exempt an existing cross-connection violation from meeting current cross-connection requirements of the adopted codes. Where public health protection for the public water system is required, no facility shall be exempt from compliance with current standards.

A plumbing permit is required for the installation or alteration of a backflow prevention assembly. Plumbing permits may be acquired at the City Development Services located at 450 110th Ave NE Bellevue WA 98009.

The City shall ensure that the customer installs approved backflow preventers that equal the degree of hazard in accordance with the following time frame:

- For a cross-connection that poses an **immediate** or **direct** high hazard, the City will terminate water service immediately and will not restore service until the cross-connection is protected to the CCS's satisfaction.
- High health cross-connection hazards within 30 days of the City notifying the customer of the high health cross-connection hazard, or to the CCS's discretion.
- Low health cross-connection hazards within 90 days of the City notifying the customer of the cross-connection hazard or to the CCS's discretion.

1.1.3 Schedule for Evaluation and Continued Reevaluation

- Facilities that pose an immediate high health hazard cross-connection have priority.
- When there is a backflow incident.
- Facilities with severe or high health hazard cross-connections.
- Facilities with high hazard equipment will be evaluated before facilities with no high hazard equipment.
- Annually when backflow assembly testing is due.
- When there is a history of backflow incidents.
- When there is a history of failed backflow test reports.
- When there is a change in the use of the premises.
- When a plumbing permit is issued.
- Known sites with high or severe hazards will have a routine re-evaluation every 5 years, or as time and resources allow.

1.1.4 New Connections

The City's designated CCS will review all pre-application documents, new construction plans submitted to the City, all water service applications and any other documents which may indicate that a requirement for cross-connection control exists. Where possible and appropriate, consultations prior to service installation will be conducted to assist the customer in meeting State Regulations and the City Cross-Connection Control Ordinance to minimize retrofits and revisions.

For new connections made on or after the effective date of these regulations, the following conditions shall be met before water service is provided;

1. They shall be controlled by eliminating the cross-connection or by installation of approved backflow preventers equal with the degree of hazard.

2. A satisfactory completion of a test by a backflow assembly tester (BAT) must be submitted to the City in accordance with the description of backflow preventer inspection and testing prior to plumbing final.

1.1.5 Existing Connections

The City CCS will survey the premises to determine whether the requirement for cross-connection control exists.

For existing connections where the City identifies a high health cross-connection hazard, the hazard(s) shall be eliminated or controlled by installation of approved backflow preventers equal with the degree of hazard. Photos or drawings indicating the installation point will be provided by the CCS. Alternate locations for installations may be satisfactory if approved by the CCS.

Backflow Preventers shall be installed within thirty days of the City notifying the consumer of the high health cross-connection hazard; or in accordance with an alternate schedule acceptable to the City.

For existing connections where the City identifies a low health cross-connection hazard, the low hazard shall be controlled by installation of approved backflow preventers equal with the degree of hazard with a schedule acceptable to the City.

1.1.6 Existing Commercial Connections

Existing commercial connections that do not meet the criteria for a backflow assembly and any cross-connection hazard do not need to have a backflow assembly installed. This will be determined by a field evaluation and requires continued reevaluations. At the time of remodel, reconstruction, ownership change etc., the connection may be required to have or convert to premises isolation backflow protection with an AG, RPBA, or RPDA. If the existing commercial connection is found to have a high health hazard cross-connection an AG, RPBA, or RPDA shall be required.

The City may allow a State of Washington approved DCVA or DCDA for premises isolation, if the DCVA is **already** installed correctly and there are **no** potential high health hazard cross-connections at the facility (determined by a field evaluation and requires continued reevaluations).

The primary enforcement action will be to work with the CCS or AHJ to get the customer to comply. The secondary action shall be to invoke Bellevue City Code 24.02.280 Code Violations, Enforcement, and Penalties as amended. The third action shall start the process of discontinuing water service. Restricted access would require an Air Gap or RPBA (to be

determined by the CCS) behind the City water meter. **No facility is exempt from complying with the most current standards.** The customer is responsible to have the assembly tested annually in accordance with the City cross-connection program.

1.1.7 All Service Connections

Facilities not found on the list below will be evaluated for appropriate premises or in-premises protection based upon potential or actual cross-connection(s) found. The City CCS will coordinate with the Authority Having Jurisdiction (AHJ) regarding in-premises protection.

A. Premises Isolation

The minimum criteria required for backflow prevention stated below shall be used during the above mentioned evaluations.

The City will ensure a CCS assesses the degree of hazard posed by the customer’s water system. The CCS will determine the appropriate method of backflow protection by the following table.

Appropriate Methods of Backflow Protection for Premises Isolation

Degree of Hazard	Application Conditions	Appropriate Approved Backflow Preventer
High health cross-connection hazard	Back siphonage or back pressure backflow	AG, RPBA, or RPDA
Low health cross-connection hazard	Back siphonage or back pressure backflow	AG, RPBA, RPDA, DCVA, DCDA

The following facilities shall have an Air Gap (AG) or an RPBA unless there is no immediate potential for a cross-connection. In that case, a DOH Exemption form must be filled out and document why that facility does not need backflow prevention. Such a facility will be kept on record, reevaluated as defined by the exception and reported to DOH.

High health hazard cross-connections requiring premises isolation by AG or RPBA, including but not limited to the following (meets or exceeds the minimum requirements of WAC 246-290-490(4)(b)(iii)(Table 9):

- Agricultural (farms and dairies)
- Beverage bottling plants
- Car washes
- Chemical plants

- Commercial laundries and dry cleaners
- Premises where both reclaimed water and potable water are provided.
- Film process facilities
- Food processing plants
- Hospitals, medical centers, nursing homes, veterinary, medical and dental clinics, and blood plasma centers.
- Premises with separate irrigation systems using the City water supply and with chemical addition such as parks, playgrounds, golf courses, cemeteries, estates, Etc.
- Laboratories
- Metal plating industries
- Mortuaries
- Petroleum processing or storage plants
- Piers and docks
- Survey access denied or restricted
- Wastewater lift stations and pumping stations.
- Wastewater treatment plants, radioactive material processing plants or nuclear reactors. May use RPBA's only when used in combination with an in-plant approved air gap, otherwise an air gap behind the meter shall be used.
- Premises with an unapproved auxiliary water supply whether or not interconnected with the potable water supply.

The City may require backflow preventers commensurate with the degree of hazard determined by the City's CCS to be installed for premises isolation for connections serving premises that have characteristics such as, but not limited to, the following:

- Complex plumbing arrangements or plumbing potentially subject to frequent changes that make it impracticable to assess whether cross-connection hazards exist;
- A repeated history of cross-connections being established or reestablished; or
- Cross-connection hazards that are unavoidable or not correctable, such as, but not limited to tall buildings.
- Multi-Tenant Non-Residential mixed use water services.
- Facilities not found on the above list and above special cases will be evaluated for appropriate premises or in-premises protection based upon potential or actual cross-connection(s) found. The CCS will coordinate with the AHJ personnel regarding in-premises protection.

B. In-Premises Isolation

The City's CCS determines the level of protection equal with the degree of hazard for all potential cross connections within the consumers plumbing system

If the facility does not need premises isolation as described above and in WAC 246-290-490 then backflow protection provided at the point of hazard in accordance with WAC 51-46-0603 of the UPC for hazards may be used.

For example, the City may accept an approved AVB on a residential irrigation system, if the AVB is properly installed in accordance with the UPC.

1.1.8 Fire Connections

A. Backflow Protection for Fire Systems

The City shall ensure that backflow protection consistent with WAC 51-46-0603 of the UPC is installed. The UPC requires minimum protection as follows: A RPBA or RPDA shall be used for fire protection systems with chemical addition or using unapproved auxiliary water supply. A DCVA or DCDA shall be used for all other fire protection systems except flow through fire protection systems constructed of potable water pipe.

B. New Fire Connections

For new connections made on or after the effective date of these regulations, the City shall ensure that required backflow protection is installed before water service is provided.

C. Existing Fire Connections

With chemical addition or using unapproved auxiliary supplies, the City shall ensure that backflow protection is installed within thirty days of the City notifying the customer of the high health cross-connection hazard or in accordance with an alternate schedule acceptable to the City.

Without chemical addition, without on-site storage, and using only the City water (i.e., no unapproved auxiliary supplies on or available to the premises), the City shall ensure that backflow protection is installed within 90 days of the City notifying the customer of the cross-connection hazard or in accordance with a schedule acceptable to the CCS or at an earlier date if required by the AHJ

1.1.9 Procedures for Field Inspection (Water Use Survey)

The customer's water system shall be open for inspection to the City within normal business hours or as otherwise arranged to determine whether cross-connections or other structural or sanitary hazard including violations of the regulations exist.

The initial inspection shall proceed according to the following steps:

1. Contact each customer explaining the need for a water system inspection, and requesting a convenient date and time for the inspection. Request that someone familiar with the plumbing system be on hand to answer questions, if possible.
2. On the appointed date, the CCS will meet with the customer/owner (and/or individual from the facility that is knowledgeable with the plumbing system). The CCS will discuss any questions or other problems that may arise, and conduct the inspection. The CCS will make a complete physical survey of all exposed piping; the underground system is to be checked as accurately as possible. Each line shall be followed to its end and a survey made to determine whether there are any actual or potential cross-connections or conditions that have the potential to pollute or contaminate the potable water system.
3. Upon completion of the survey, the inspector will orally brief the customer/owner (or representative) of the findings, if desired.
4. The Cross-Connection Specialist will prepare a written report that will include, but is not limited to, the following:
 - a. A list of all cross-connections found in their location, and any optional methods of control.
 - b. Any applicable drawings, sketches, blueprints, photographs etc.
 - c. A summary of the findings, and the recommendations or requirements for Corrective actions, and a time (normally 30 days) in which the corrective action Must be completed.
 - d. Immediate or **direct** Cross Connections will be isolated immediately at the source or by any other means of isolation and will not be returned to service until backflow prevention has been installed, inspected and tested determined by the CCS.
5. The Cross Connection specialist shall mail one copy of the completed report and a copy of the City installation specification requirements to the customer, Water Quality Supervisor and the AHJ (if applicable). The completed report shall include the recommendations and requirements for corrective actions and a corrective action completion date. One copy of the completed report shall reside in the CCS's permanent cross-connection file for the facility.

6. On the corrective action completion date, the CCS shall contact the customer and ask if the corrective actions have been completed. If the corrective actions have been completed, the CCS shall make a re-inspection of the facility. If the corrective actions have not been completed, a new completion date will be set, or enforcement action begun, depending on the degree of hazard and other mitigating circumstances.
7. When all required actions have been completed, the file copy of the completed actions shall be placed in the cross-connection control file for the facility, together with any completed backflow assembly test report forms.
8. Re-inspection of each premise found to be subject to this procedure shall be accomplished annually or more often if the degree of hazard so indicates as time and resources allow.
9. If entry is refused the AHJ shall secure entry and premise isolation shall be required (see Appendix F Enforcement Action).
10. If a cross-connection is a high hazard then the plumbing causing the cross-connection must be disconnected immediately. If the disconnection is disregarded water may be shut off and locked out until the cross-connection is disconnected.
11. If corrections have not been made by the completion date, the CCS will review the status with the Water Quality Supervisor before beginning escalated enforcement as outlined in Bellevue City Code (BBC) *1.18 Civil Violations*
12. If corrections have not been made by the completion date, and the Water Quality Supervisor and Operations & Maintenance Assistant Director give permission, the CCS shall begin procedures for enforcement outlined in *BBC 1.18.075 (E) (1) or section (E) (2)* depending on mitigating circumstances.
13. Upon re-inspection, if the violation has been corrected, the CCS shall update the notice and a copy sent to the owner and/or occupant, AHJ, Water Quality Supervisor and into the cross-connection control file.
14. The City purveyor reserves the right to suspend water service at any time during the enforcement case if it is determined that the public water system is in danger of contamination.
15. If water is turned off due to non-compliance, and the violation **is corrected**, the customer shall do the following to have water service restored:
 - A. Call the CCS for a violation correction re-inspection.
 - B. Upon re-inspection if the violation has been corrected, the notice shall be updated by the CCS and a copy given to the customer, AHJ, Water Quality Supervisor and into the cross-connection control file.

C. Water service may be restored by the City.

16. If water is turned off, the BAT must make arrangements with the CCS to restore water for testing purposes only.

If water is turned off due to non-compliance, and the violation **is not corrected**, the CCS shall update the notice, give a copy to the customer, AHJ, the cross-connection control file and leave the water turned off and locked out.

Element 3: *Development and implementation of procedures and schedules for elimination and/or control of cross-connections.*

1.1.10 Backflow Preventers

The City will eliminate cross-connections whenever possible. When cross-connections cannot be eliminated, they will be controlled by installation of approved backflow preventers equal with the degree of hazard.

Approved backflow preventers will be selected and installed in accordance with the following requirements:

WAC 246-290-490, the most current edition of the Accepted Procedure and Practice in Cross-Connection Control (prepared by the Cross-Connection Control Committee of the Pacific Northwest Section American Water Works Association) which shall be used as a guideline, as well as the University of Southern California manual, and the Uniform Plumbing Code.

The City will monitor all backflow assemblies. These assemblies are required to have a backflow assembly test performed at least annually and the City CCS may require backflow assembly testing more frequently in cases such as:

- a. Failed backflow assembly tests.
- b. Backflow contamination incident.
- c. High hazards.
- d. Required by CCS

A. Approval of Backflow Preventers

The City requires backflow preventers protecting the public water systems to be on the current State of Washington approved list unless the next paragraph applies.

The City may rely on testable backflow prevention assemblies that are not currently approved by the State of Washington, if the assemblies:

- a. Were included on the department and/or University of Southern California Foundation for Cross Connection Control and Hydraulic Research (USC) list of approved backflow prevention assemblies at the time of installation.
- b. Have been properly maintained.
- c. Are equal with the City assessed degree of hazard.
- d. Have been inspected and tested at least annually and have successfully passed the annual tests.

The City shall ensure that an unlisted backflow assembly is replaced by an approved assembly equal with the degree of hazard, when the unlisted assembly:

- a. Does not meet the conditions of (a) through (d) above of this section.
- b. Is moved.
- c. Cannot be repaired using spare parts from the original manufacturer.

B. Installation of Backflow Preventers

The City shall ensure that approved backflow preventers are installed in a manner that:

Facilitates their proper operation, maintenance, inspection, and in-line testing (as applicable) using standard installation procedures acceptable to the department such as those in the USC Manual, PNWS-AWWA Manual or Uniform Plumbing Code; ensures that the assembly will not become submerged due to weather-related conditions such as flooding; and ensures compliance with all applicable safety regulations.

The City shall ensure that approved backflow assemblies for premises isolation are installed at a location adjacent to the meter or property line or an alternate location acceptable to the City.

When premises isolation assemblies are installed at an alternate location acceptable to the City, the City shall ensure that there are no connections between the point of delivery from the public water system and the approved backflow assembly, unless the installation of such a connection meets the City cross-connection control requirements and is specifically approved by the City.

The City shall ensure that by-pass piping installed around any approved backflow preventer is equipped with an approved backflow preventer that affords at least the same level of protection as the approved backflow preventer that is being bypassed and complies with all applicable requirements of this section.

Backflow preventers shall be installed to the City specifications and in compliance with the AHJ. The City requires that when a backflow assembly that protects the public water system is improperly installed, defective, an unapproved assembly, or does not equal the degree of hazard; it shall be properly reinstalled, repaired, overhauled, or replaced.

The City requires a Cross-Connection Specialist (CCS) to inspect new installations of Reduced Pressure Backflow Assemblies (RPBA's), Reduced Pressure Detector Assemblies (RPDA's), Double Check Valve Assemblies (DCVA's), Double Check Detector Assemblies (DCDA's), Pressure Vacuum Breaker Assemblies (PVBA's), and Spill Resistant Vacuum Breaker Assemblies (SVBA's) that protect the public water system to ensure that protection is equal with the degree of hazard and that installation is in accordance with standards. These assemblies are required to be tested:

- a. At the time of installation.
- b. Annually after installation, or more frequently, if required by the City for facilities that pose a high health cross-connection hazard or for assemblies that repeatedly fail.
- c. After a backflow incident.
- d. After an assembly is repaired, reinstalled, or relocated.

Element 4: Provision of qualified personnel, including at least one person certified as a CCS, to develop and implement the CCC program.

Oversight and management of the City's Cross Connection Control Program will be performed by the Utilities Cross Connection Control Specialist (CCS). Responsibilities include:

1. Administer the Cross-Connection Control Program (CCP).
2. Evaluate service connections for backflow hazards.
3. Assess customer's premises for cross connections and potential for cross connections and determine action to be taken.
4. Reporting on the annual progress of the CCP.
5. Public Education.
6. Investigate water quality concerns where backflow is suspected.
7. Keep current records of all backflow preventer testing, air gaps installed in-lieu of approved backflow preventers, test kit calibration, and tester certification.
8. Responsible to eliminate or control cross-connections between the distribution system and the customer's premises.
9. Ensure quality control for backflow testing.
10. Complete Backflow Incident Response Forms and inform DOH, and the AHJ of incidents involving contamination to the public water system.
11. Training and continued education

Element 5: *Development and implementation of procedures to ensure that approved backflow preventers are inspected and/or tested (as applicable).*

C. Inspection and/or Testing of Backflow Preventers

A CCS inspects backflow preventer installations to ensure that protection is provided equal with the assessed degree of hazard.

A BAT tests approved backflow prevention assemblies for proper operation.

The Backflow Assembly Tester (BAT) or a Cross-Connection Specialist (CCS) inspects:

- a. Air gaps installed in-lieu of approved backflow prevention assemblies for compliance with the approved air gap definition.
 - b. Backflow prevention assemblies for correct installation and approval status.
1. The City shall ensure that inspections and/or tests of approved air gaps and approved backflow assemblies are conducted:
 - a. At the time of installation.
 - b. Annually after installation, or more frequently if required by the City for facilities that pose a high health cross-connection hazard, or for assemblies that repeatedly fail;
 - c. After a backflow incident, and after an assembly is repaired, reinstalled, relocated or an air gap is replumbed. The City will notify customers annually before their due date informing them that their backflow preventer is due to be tested, However, this reminder process does not relieve the owner of the responsibility for testing their device(s) annually and providing the test reports to the City.
 2. The City shall ensure that inspections of Atmospheric Vacuum Breakers (AVB's) that protect the public water system installed on irrigation systems are conducted:
 - a. At the time of installation;
 - b. After a backflow incident; and
 - c. After repair, reinstallation, or relocation

The City shall ensure that approved backflow prevention assemblies are tested using procedures acceptable to the department, such as those specified in the most recently published edition of the USC Manual. When circumstances, such as, but not limited to, configuration or location of the assembly, preclude the use of USC test procedures, the City may allow, on a case-by case basis, the use of alternate (non-USC) test procedures acceptable to the department. These procedures must be approved by the City prior to proceeding with any testing.

The City shall ensure that results of backflow prevention assembly inspections and tests are documented and reported on a form and in a manner acceptable to the City.

The City shall ensure that an approved backflow prevention assembly or AVB, whenever found to be improperly installed, defective, not equal with the degree of hazard, or failing a test (if applicable) is properly reinstalled, repaired, overhauled, or replaced.

The City shall ensure that an approved air gap, whenever found to be altered or improperly installed, is properly replumbed or, if equal with the degree of hazard, is replaced by an approved RPBA.

Element 6: Development and implementation of a backflow prevention assembly testing quality assurance/quality control program.

1.1.11 Backflow Assembly Testing and Quality Control

To meet the WAC regulation the City requires the following:

1. All backflow assemblies require a backflow assembly test annually by a State of Washington certified tester in accordance with the City Cross-Connection Program.
2. The City will only accept backflow assembly test reports from current State of Washington certified Backflow Assembly Tester's (BAT's).
3. Each tester is required to have current BAT certification and current test kit calibration on file with the City.
4. It is the customer's responsibility to ensure that the backflow test reports are submitted to the City in a timely manner.

5. All test report forms (Appendix H) must be filled out with the contents required in *WAC 246-292-036 Backflow preventer inspection and field test report content* (Appendix D) as amended

6. The City will only accept tests that have been performed using the most recent State approved (USC) test procedures. When circumstances preclude the use of State approved test procedures, the City may allow on case by case basis, the use of alternate test procedures acceptable to the City.

Element 7: Development and implementation of procedures for responding to backflow incidents.

1.1.12 Backflow Incident Response Procedures

In the **City of Bellevue's** Water Quality Emergency response plan, the incident response plan will include, but is not limited to:

- Notification of affected users (employees, occupants, etc.);
- Notification and cooperation with other agencies, such as DOH, the Local Administrative Authority, and the local health jurisdiction;
- Identification of the source of contamination;
- Isolation of the source of contamination and the affected area(s);
- Provision of alternate supplies of drinking water;
- Cleaning, flushing and other mitigation measures; and
- Corrective action to prevent future occurrences.

The City of Bellevue has developed a Backflow Incident Response Plan and it is included in *the Drinking Water Quality Emergency Response Plan* **APPENDIX G**

Technical Resources - The City of Bellevue will use the manual, *Backflow Incident Investigation Procedures*, First Edition, 1996, published by the PNWS-AWWA as a technical resource and/or supplement to the Backflow Incident Response Plan as amended.

Element 8: Development and implementation of a cross-connection control public education program.

1.1.13 Cross-Connection Public Education Program

The City shall implement an education program for the City's customer. The education program will consist of but not limited to:

1. Sharing knowledge with inspectors, engineers, architects, plumbing contractors, suppliers and, irrigation contractors and suppliers, fire protection contractors, wastewater personnel and the customer.
2. Educating the staff of the City. Utilize locators, meter readers, maintenance workers, Building Official, Inspectors and Engineering staff to assist in identifying cross-connections.
3. Public education using billing inserts newspapers, newsletters, brochures, annual water quality report and The City Website.
4. Have education information available for community events.

Element 9: Development and maintenance of cross-connection control records.

1.1.14 Cross-Connection Control Record Keeping

The CCS shall develop and maintain cross-connection control records that include:

A. Service Connection Master List

A master list of service connections where the City relies upon approved backflow preventers to protect the public water system from contamination by premises isolation and/or in-premises protection and the assessed hazard level of each, as well as an inventory of all water system service connections and summary of the history of inspections at each location. The required backflow preventer(s) records shall be kept as long as the premises pose a cross-connection hazard to the City distribution system.

1. The Cross Connection Program Manager in Utilities shall establish an electronic file, for each individual customer that requires the installation of a backflow prevention assembly. Electronic files shall be filed by grid in numerical order. The following information shall be maintained in each electronic file folder:
 - a. Copies of all correspondence with customer relative to cross-connection control.
 - b. Copies of inspection reports complete with field drawings.
 - c. Copy of application and completed installation order.
 - d. Copies of test reports on all assemblies.
2. All backflow assembly test report forms shall be entered into a computer database that tracks backflow testing and dates of tests.

B. Inventory Information

Records regarding inventory information shall be kept for five years or the life of the approved backflow preventer whichever is longer in the City's respective database. Inventory information will be kept on:

1. Approved air gaps installed in-lieu of approved assemblies:
 - a. Exact air gap location, design and dimensions with photos
 - b. Assessed degree of hazard.
 - c. Installation date.
 - d. History of inspections.
 - e. Inspection results.

- f. Person conducting inspection.
- g. What the assembly protects against

2. Approved backflow assemblies including:

- a. Exact assembly location, design and dimensions with photos
- b. Type of assembly.
- c. Manufacturer.
- d. Model.
- e. Size.
- f. Serial number.
- g. Assessed degree of hazard.
- h. Installation date.
- i. History of inspections, tests, and repairs.
- j. Test results.
- k. Person performing test.
- l. What the assembly protects against

3. Approved AVB's used for irrigation systems including:

- a. Location, design and dimensions with photos
- b. Manufacturer.
- c. Model.
- d. Size.
- e. Installation date.
- f. History of inspections(s).
- g. Person performing inspection.
- h. What the assembly protects against

C. Annual Summary Report

The CCS will complete and submit to the Department of Health an annual summary report. All records will be kept on file for at least ten years. Records will include:

- 1. Types of connections:
 - a. Residential.
 - b. Commercial.

- 2. High health hazard facilities that the water system serves:

- a. Number of facilities served.
 - b. The number currently protected by an AG or RPBA installed for premise isolation.
 - c. The number exempted from premise isolation. The City shall document reasons for not applying premises isolation for facilities that are considered high hazard facilities.
3. AG and AVB's used for irrigation systems that are:
- a. Installed in the system (total).
 - b. New installations for reporting year.
 - c. Inspected.
 - d. Failing initial inspection, including incorrect installations.
 - e. Re-plumbed or reinstalled correctly.
 - f. Replaced by assembly.
 - g. Replaced by new AVB.
 - h. Re-inspected.
4. All assemblies (RPBA, RPDA, DCVA, DCDA, PVBA, SVBA):
- a. Installed in system by type and total.
 - b. New installations during year by type and total.
 - c. Inspected and tested.
 - d. Installed incorrectly.
 - e. Failing initial test.
 - f. Repaired.
 - g. Replaced.
 - h. Replaced with different assembly type.
 - i. Re-tested.
5. The CCS will record test report information that includes:
- a. Customer's name.
 - b. Address.
 - c. Location of the assembly.
 - d. Phone number.
 - e. Assembly manufacturer.
 - f. Model.
 - g. Size.
 - h. Serial number.
 - i. Test kit calibration date.
 - j. BAT certification number and signature.
 - k. Date of test.
 - l. Line pressure

- m. Pressure that the check valve held at.
- n. RPBA's opening relief valve pressure and measurement of the *minimum air gap
- o. Results of the test, did the assembly pass or fail.

** Twice the diameter of the supply piping measured vertically from the*

Element 10: Additional cross-connection control requirements for reclaimed water.

1.1.15 Reclaimed Water Additional Requirements

The City does not connect, distribute and/or have facilities that receive reclaimed water within their water service area. If in the future this does occur the City will meet any additional cross-connection control requirements imposed by the department under a permit issued in accordance with chapter 90.46 RCW.

Any facility that uses reclaimed water and which is also supplied by the City water supply shall have an A/G or RPBA protecting the City water distribution from that premises.

1.1.16 Notification Procedures for Backflow Assembly Testing

1. Customers with backflow assemblies will be required to have these assemblies tested in accordance with the City Cross-Connection Program (section 1.1.10) at the owner's expense.
2. A first letter will be sent to the customer annually (usually giving 30 days compliance).
3. If there is no response from the first letter, a second letter will be sent notifying the customer that the City may shut their water off.
4. If there is no response to the second letter, a third letter, (usually giving 7 days compliance) will be sent notifying the customer that enforcement actions according to City of Bellevue Code 1.18 may be accessed.
5. If there is no response from the third letter, a door hanger will be hung at the property (and the property owner will be notified if rental property) notifying them that the water shall be shut off.
6. The City may elect to use other methods of enforcement, such as requiring "premises isolation" at the customer's water meter and/or escalating enforcement outlined in Bellevue City Code 1.18.075 as amended

1.1.17 Tanker Truck & Trailer Requirements

1. Tanker trucks and trailers require a cross-connection inspection in accordance with the City Cross-Connection Program (Section 1.1.10).
2. Tanker trucks and trailers will be assessed the same risk as an unapproved auxiliary supply, a high health hazard.
3. An Air Gap or Reduced Pressure Backflow Assembly is the required protection for all tanker trucks and trailers (unless otherwise approved by the City in writing by the Water Quality Supervisor).
4. Only designated hydrants will be used for filling tanker trucks.
5. All tanker trucks shall be inspected for an approved air gap between the fill piping and the receiving vessel located. Inspections will be performed by appointment only at 2901 115th Avenue NE from 7:00am to 3:00pm Monday through Friday.
6. Standard Operation Procedures for Tank Lot Truck Filling and hydrant operation shall be provided (SEE APPENDIX L)

1.1.18 Hydrant Use Requirements

Authorization must be obtained to use a City hydrant. Permits can be obtained at the Bellevue Service Center office located at 2901 115TH Ave NE Bellevue WA 98004.

1. Any portable pressure spray or cleaning unit that is connected to a hydrant shall be fitted with a double check valve assembly if it does not contain an approved air gap. If chemicals are used, a RPBA must be used in place of the DCVA. Testing of all assemblies must be in accordance with the City Cross-Connection Program (Section 1.1.10)
2. Flushing storm drains and sanitary sewers from a hydrant is prohibited, unless approved by the CCS. In all cases an air gap must separate the potable water piping from the storm or sewer system, as above. The configuration must be approved by the CCS.
3. Filling tanker trucks and trailers from a hydrant is assessed the same risk as an unapproved auxiliary supply; a high health hazard.
4. When using a hydrant to flush newly constructed water mains prior to acceptance by the City and purity sample results, a double check valve assembly is required to separate the potable water system from the new water main.
5. See APPENDIX L FOR FIRE HYDRANT OPERATION

APPENDIX

- A. DEFINITIONS, ABBREVIATIONS AND ACRONYMS
- B. SECTION 24.02.190 BELLEVUE CITY CODE
- C. CROSS-CONNECTION MEMORANDUM OF UNDERSTANDING WITH AHJ
- D. WAC 246-290-490, 033, 034, & 036
- E. WAC 51-46-0603 CHAPTER 6 OF THE UPC
- F. ENFORCEMENT ACTION AND BUSINESS PROCESS
- G. DRINKING WATER QUALITY EMERGENCY RESPONSE PLAN
- H. BACKFLOW PREVENTION TEST REPORT
- I. WASHINGTON STATE APPROVED ASSEMBLIES
- J. AWWA RECOMMENDED PROTECTION AT FIXTURES AND EQUIPMENT
- K. CITY OF BELLEVUE SPECIFICATIONS
- L. TANK LOT & FIRE HYDRANT OPERATION
- M. REFERENCE GUIDE

(This page is intentionally blank.)

A. Construction/Installation Inspection.

1. All projects permitted or approved by the utility under a utility developer extension agreement or other permit are subject to utility inspection to ensure compliance with the code and permit/approval conditions. As a condition of permit issuance or execution of a utility developer extension agreement, the property owner shall consent to inspection and testing.
2. Newly installed water facilities shall be inspected, tested, and documentation completed according to the permit requirements or developer extension agreement conditions, the engineering standards, and procedures.
3. Newly installed or relocated backflow prevention assemblies shall be inspected, tested, and certified pursuant to the requirements of BCC [24.02.190\(D\)](#).
4. The quality, taste and odor of water drawn from new water mains shall be the same as the quality, taste and odor of water in the existing facility classed as acceptable for use by the utility. Should the water not be acceptable in quality, taste or odor, required steps as approved by the utility shall be taken to attain acceptable water quality standards.

B. Warranty Inspections and Tests. Facilities and equipment accepted by the utility under specific warranties may be reinspected at the utility's discretion and, if necessary, retested prior to the expiration of the warranty period. (Ord. [5963](#) § 1, 2010.)

24.02.180 Water quality programs.

A. General Requirements. The utility shall initiate and carry out any water quality testing, monitoring, maintenance, corrective activities or other activities necessary to ensure that the city's public drinking water meets or exceeds drinking water standards and other requirements of Chapter [246-290](#) WAC, the Washington State Health Department's rules that govern Group A public water systems, the federal Safe Drinking Water Act and any other applicable federal, state or local requirement for public drinking water, as now or hereafter amended.

B. Implementation of Water Quality Programs. To maintain water quality in the most effective and efficient manner, the utility may initiate, implement and carry out any required or necessary water quality testing, monitoring, maintenance, or corrective activities or programs locally, jointly with other local or regional water purveyors; or jointly with other federal, state or local agencies having jurisdiction within the city's water service area. (Ord. [5963](#) § 1, 2010.)

24.02.190 Cross-connection abatement and control.

A. General.

1. The utility shall initiate and carry out a cross-connection abatement and control program in conformance with state law by establishing and maintaining minimum requirements for the installation, inspection, testing, certification and maintenance of backflow prevention assemblies. The program shall meet the minimum requirements of WAC [246-290-490](#) and the latest edition of the Uniform Plumbing Code adopted by the city.

2. The utility hereby adopts by reference the standards and requirements of WAC [246-290-490](#), as now or hereafter amended.

B. Approved Backflow Prevention Assemblies. Only those backflow prevention assemblies and controls identified in the most recent current edition of Approved Cross Connection Control Assemblies, published by the Washington State Department of Health, shall be approved for installation.

C. New or Upgraded Cross-Connection Control Requirements.

1. In situations where there is an existing water service or use and the water supply is protected from cross-connection by a nonconforming backflow prevention assembly (i.e., an assembly that does not meet the current standards and requirements of WAC [246-290-490](#) or this code), the existing nonconforming backflow prevention assembly shall, at the property owner's risk, be allowed to remain in service only if:

- a. At the time the backflow prevention assembly was installed, the assembly was a state-approved backflow prevention assembly;
- b. At the time the backflow prevention assembly was installed, its installation was approved by the city as appropriate for the degree of hazard; and
- c. The backflow prevention assembly does not meet the criteria for upgrading as required in subsection (C)(2) of this section.

2. All existing nonconforming backflow prevention assemblies shall be replaced and upgraded to current standards at such time as any of the following conditions exist:

- a. The assembly fails to operate properly;
- b. The assembly fails required annual testing and certification;
- c. The assembly requires continual and excessive repair or maintenance;
- d. The degree of hazard at the premises increases from that which existed at the time the assembly was installed; or
- e. The water service, fire protection system, landscape irrigation system or plumbing is, or has been, modified.

3. When the utility discovers previously unknown and/or unprotected cross-connections, the utility shall notify the property owner of the cross-connection, the degree of hazard, and the cross-connection abatement and control measures required. The property owner shall make provision to implement all required abatement and control measures within the time frame specified by the utility subject to the enforcement provisions of BCC [24.02.250](#) or state law.

D. Inspection, Testing and Certification Requirements.

1. Inspection of all newly installed or relocated backflow prevention assemblies shall be completed by the city. Testing and certification shall be done by a private backflow prevention assembly tester certified by the Washington State Department of Health.

2. All backflow prevention assemblies shall be tested and certified annually by a private backflow prevention assembly tester certified by the Washington State Department of Health.

E. Costs and Fees. The property owner or developer shall be responsible for paying all utility costs and fees associated with the installation, inspection, testing, certification, repair, replacement or upgrade of backflow prevention assemblies. See BCC [24.02.250](#) regarding fees. (Ord. [5963](#) § 1, 2010.)

24.02.200 Water conservation – Waste of water.

The waste of water supplied by the utility is prohibited at all times. Waste of water includes, but is not limited to, continuous application of water to lawns or landscaping that results in excessive puddling or runoff of water, failure to repair leaking water service lines and irrigation systems, application of water to impervious surfaces other than for cleaning purposes, and all other applications of domestic water that do not result in a beneficial use of the city's public water supply. (Ord. [5963](#) § 1, 2010.)

24.02.205 Landscape and irrigation water budgeting requirements.

A. Applicability. The water budgeting requirements of this section shall apply to new or modified landscaping whenever new or modified landscaping is required by the Land Use Code or proposed by the property owner except that the following shall be exempt from such requirements:

1. Single-family residential lots; provided, that community area landscaping installed by the developer is not exempt.
2. Any project with a total landscape area of less than 500 square feet. If a project is constructed in phases, the total landscape area shall include the total area of all phases.
3. Those portions of a site irrigated with water that is not supplied by the utility.
4. Turf portions of public athletic facilities where turf provides a playing surface and turf portions of public access land used for purposes of public recreation and activities, such as but not limited to outdoor assemblies, picnicking, unstructured sports fields and sunbathing. However, this exemption applies only if the applicant submits a statement designating such turf areas and specifying additional water needs above the irrigation water budget. The additional irrigation water needs shall be based upon the evapotranspiration information for the turf-grass species or species mix designated for the turf area.
5. Those portions of privately owned properties where athletic and recreation facilities, as identified by subsection (A)(4) of this section, are installed for use by the general public. However, this exemption applies only if the applicant submits a statement designating such area (s) as open to the public.

B. Water Budget Requirements. For each proposed landscape design not exempted by subsection A of this section, a state-registered landscape architect, Washington-certified nurseryman (WCN) or



**Cross-Connection Memorandum of Understanding
Bellevue Utilities and Bellevue Planning and Community Development**

1. Purpose

- 1.1. To establish the procedures for implementing the cross-connection control program between City of Bellevue Utilities Department (hereafter Utilities) and the Bellevue Planning and Community Development Department (hereafter PCD) within Utilities direct service area inside the city limits of Bellevue.
- 1.2. This Memorandum of Understanding establishes the mutually agreed to roles and responsibilities of Utilities and PCD to implement a cross connection control program per Department of Health requirements but is not a legally enforceable agreement. This agreement supersedes all previous cross-connection memorandum's of understanding.

2. Organizations Affected

- 2.1. Bellevue Utilities Department (Utilities)
- 2.2. Planning and Community Development (PCD)
- 2.3. All permanent or temporary (e.g. hydrant users) direct service water customers within the City of Bellevue on whose premise or property a potential or existing cross connection exists.
- 2.4. Washington State Department of Health (DOH)

3. References

- 3.1. WAC 246-290-490, Washington State Department of Health Drinking Water regulations relating to Cross-Connection
- 3.2. Latest edition of the Uniform Plumbing Code as adopted under RCW 19.27.031(4) and WAC 51-46 as amended.
- 3.3. Latest edition of the PNWS/AWWA Accepted Procedure and Practice in Cross-Connection Control Manual
- 3.4. Latest edition of the USC Manual on Cross-Connection

4. Policy

- 4.1. It is the policy of Utilities and PCD to implement a cooperative program of cross-connection control where the potential for backflow presents a health hazard to the customers served by Bellevue Utilities and/or the occupants of the customer's premises.

5. Definitions

- 5.1. Approved backflow assembly - An assembly that has been approved by the DOH for use in Washington State. Approval of backflow assemblies by DOH shall be on the basis of a favorable laboratory and field evaluation report by an approved testing laboratory.
- 5.2. Auxiliary Water Supply:-Any water supply on, or available to, a premise in addition to the purveyor's (Utilities) approved public potable water supply.
- 5.3. Backflow - The undesirable reversal of flow of water or other substances through a cross-connection into the public water system or any consumer's potable water system.
- 5.4. Backflow Assembly Tester - A person who is certified through DOH to test approved backflow assemblies.
- 5.5. Customer's potable water system - Any potable and/or industrial water system (beyond the water meter) that begins at the point of delivery to the building from the public water system and is located on the customer's premises. The customer's water system includes all auxiliary sources of supply, storage, treatment, and distribution facilities, piping, plumbing, and fixtures under the control of the consumer.
- 5.6. Cross-connection - Any actual or potential physical connection between a public water system or the customer's water system and any source of nonpotable liquid, solid, or gas that could contaminate the customer or public potable water supply by backflow.
- 5.7. Cross-connection control specialist - A person holding a valid and current Washington State cross-connection control specialist certificate issued in accordance with WAC chapter 246-292-001.
- 5.8. High health hazard - A substance that could pose an immediate health concern because of the risk of death, spread of disease or illness, or injury to the consumer if it were introduced into the potable water supply.
- 5.9. In-premise protection - A method of protecting the health of consumers served by customer's potable water systems by the installation of an approved air gap or backflow prevention assembly at the point of cross connection, instead of or in addition to premise isolation, which is generally a plumbing fixture.
- 5.10. Low health hazard - A substance that would not impose an immediate health concern, but could result in the water in the purveyor's system failing to meet minimum drinking water standards or that could interfere with the monitoring of water quality or cause aesthetic problems.
- 5.11. Mixed Use Building:-Any combination of residential and retail/office housed within one structure where there exists the potential for a high health hazard cross connection premises.

- 5.12. Premise isolation - The practice of protecting the potable water supply by installing backflow prevention assemblies at or near the end of the public water system (e.g. at the meter).
- 5.13. Public Water System: - by definition includes collection, storage, treatment and distribution facilities *under the purveyor's control*. The water meter is generally used as the end of the public water system for domestic services.

6. Responsibilities

- 6.1. PCD, as the local Administrative Authority, has responsibility for the inspection of cross-connection control assemblies within the customer's water system. (within the building and property).
- 6.2. Utilities responsibility for cross-connection control includes the water meter and the building supply piping up to the main water shutoff in the building (i.e. all premise isolation assemblies).
- 6.3. Utilities and PCD Plumbing Inspection both have the responsibility of collaborating to reach mutually agreeable decisions on the fixtures and piping arrangements that require in-premise backflow protection and the proper assemblies for the assessed degree of hazard.
- 6.4. Utilities and PCD Plumbing Inspection have joint responsibility for implementing a continuing program of cross-connection control within the consumer's water system (within the building).

7. Procedure

- 7.1. Utilities and PCD shall mutually agree upon assessed degrees of hazard, associated with specific in-premise plumbing fixtures and water using equipment or arrangements. When agreement cannot be reached, the final determination for the level of backflow protection will be made by a certified cross connection control specialist from Utilities.
- 7.2. Tank truck inspections - Utilities shall conduct all inspections of tank trucks and issue all tank truck air gap/backflow assembly approvals.
- 7.3. New Construction and tenant improvements
 - 7.3.1. For new construction and tenant improvements within the building, PCD performs the plan review. PCD and BUD jointly come to agreement during plan review on the fixtures and piping arrangements that require in-premise backflow protection and the proper assemblies for the assessed degree of hazard. PCD communicates the requirements to the applicant and is responsible for inspection of the installation within the consumer's building and property (with the exception of exterior vaults).
 - 7.3.2. For new construction and tenant improvements Utilities determines whether or what type of backflow assemblies are needed for irrigation systems and buildings over 3 stories in height and those on the DOH mandatory premise isolation list in WAC 246-290-490.

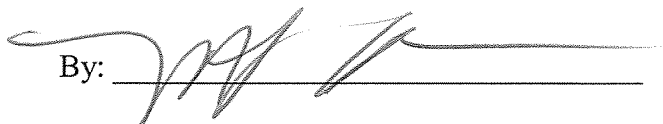
- 7.3.3 Utilities tests only premise isolation backflow preventers upon installation for high hazard premises, as well as, premise isolation backflow preventers installed on mixed-use buildings and properties with auxiliary water supply.
- 7.3.4 PCD ensures that all other backflow assemblies are tested and test reports are provided to Utilities. PCD may give temporary occupancy prior to receipt of test reports, but will not final permits until receipt of said test reports. Utilities will work with PCD to actively pursue receipt of test reports.
- 7.4. Existing sites and periodic reevaluations - Utilities shall conduct periodic reevaluations in accordance with a schedule acceptable to the DOH and whenever there is a change in use of the premises.
- 7.5. Database management and record keeping
 - 7.5.1. Utilities is responsible for maintaining a master list of service connections and/or consumer's premises where the purveyor relies upon approved backflow assemblies used for both premise and in-premise isolation to protect the public water system from contamination, the assessed hazard level of each, and the required backflow assemblies.
 - 7.5.2. Utilities is responsible for monitoring the approved backflow assemblies including exact assembly location, assembly description (type, manufacturer, model, size, and serial number), assessed degree of hazard, installation date, history of inspections, tests and repairs, test results, and the person performing tests.
 - 7.5.3. Utilities is responsible for issuing renewal notices for testing of backflow assemblies, entering the results of annual testing and all enforcement related to the testing of new and existing backflow assemblies.

8. Appendix

- 8.1. Bellevue Utilities map of direct water service area
- 8.2. Mandatory premises isolation list in WAC 246-290-490

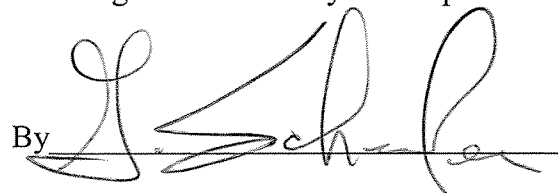
Dated this 27 day of March, 2007

Bellevue Utilities Department

By: 
Mike Jackman, Water Quality Manager

Dated this 26 day of March, 2007

Planning and Community Development

By: 
Gregg Schrader, Building Official

**HIGH HEALTH CROSS-CONNECTION HAZARD PREMISES
REQUIRING PREMISES ISOLATION BY AG OR RPBA**

Agricultural (farms and dairies)

Beverage bottling plants

Car washes

Chemical plants

Commercial laundries and dry cleaners

Premises where both reclaimed water and potable water are provided

Film processing facilities

Food processing plants

Hospitals, medical centers, nursing homes, veterinary, medical and dental clinics, and blood plasma centers

Premises with separate irrigation systems using the purveyor's water supply and with chemical addition⁺

Laboratories

Metal plating industries

Mixed use buildings

Mortuaries

Petroleum processing or storage plants

Piers and docks

Radioactive material processing plants or nuclear reactors^{*}

Survey access denied or restricted

Wastewater lift stations and pumping stations

Wastewater treatment plants^{*}

Premises with unapproved auxiliary water supply

⁺ For example, parks, playgrounds, golf courses, cemeteries, estates, etc.

^{*} RPBA's for connections serving these premises are acceptable only when used in combination with an in-plant approved air gap; otherwise, the purveyor shall require an approved air gap at the service connection.

WAC 246-290-490

Cross-connection control.

(1) Applicability, purpose, and responsibility.

(a) All community water systems shall comply with the cross-connection control requirements specified in this section.

(b) All noncommunity water systems shall apply the principles and provisions of this section, including subsection (4)(b) of this section, as applicable to protect the public water system from contamination via cross-connections. Noncommunity systems that comply with subsection (4)(b) of this section and the provisions of WAC 51-56-0600 of the UPC (which addresses the installation of backflow preventers at points of water use within the potable water system) shall be considered in compliance with the requirements of this section.

(c) The purpose of the purveyor's cross-connection control program shall be to protect the public water system, as defined in WAC 246-290-010, from contamination via cross-connections.

(d) The purveyor's responsibility for cross-connection control shall begin at the water supply source, include all the public water treatment, storage, and distribution facilities, and end at the point of delivery to the consumer's water system, which begins at the downstream end of the service connection or water meter located on the public right of way or utility-held easement.

(e) Under this section, purveyors are not responsible for eliminating or controlling cross-connections within the consumer's water system. Under chapter 19.27 RCW, the responsibility for cross-connection control within the consumer's water system, i.e., within the property lines of the consumer's premises, lies with the authority having jurisdiction.

(2) General program requirements.

(a) The purveyor shall develop and implement a cross-connection control program that meets the requirements of this section, but may establish a more stringent program through local ordinances, resolutions, codes, bylaws, or operating rules.

(b) Purveyors shall ensure that good engineering and public health protection practices are used in the development and implementation of cross-connection control programs. Department publications and the most recently published editions of references, such as, but not limited to, those listed below, may be used as guidance for cross-connection program development and implementation:

(i) *Manual of Cross-Connection Control* published by the Foundation for Cross-Connection Control and Hydraulic Research, University of Southern California (USC Manual);

(ii) *Cross-Connection Control Manual, Accepted Procedure and Practice* published by the Pacific Northwest Section of the American Water Works Association (PNWS-AWWA Manual);
or

(iii) Guidance document: *Cross-Connection Control for Small Water Systems* published by the department.

(c) The purveyor may implement the cross-connection control program, or any portion thereof, directly or by means of a contract with another agency or party acceptable to the department.

(d) The purveyor shall coordinate with the authority having jurisdiction in all matters concerning cross-connection control. The purveyor shall document and describe the

coordination, including delineation of responsibilities, in the written cross-connection control program required in (e) of this subsection.

(e) The purveyor shall include a written description of the cross-connection control program in the water system plan required under WAC **246-290-100** or the small water system management program required under WAC **246-290-105**. The cross-connection control program shall include the minimum program elements described in subsection (3) of this section.

(f) The purveyor shall ensure that cross-connections between the distribution system and a consumer's water system are eliminated or controlled by the installation of an approved backflow preventer commensurate with the degree of hazard. This can be accomplished by implementation of a cross-connection program that relies on:

(i) Premises isolation as defined in WAC **246-290-010**; or

(ii) Premises isolation and in-premises protection as defined in WAC **246-290-010**.

(g) Purveyors with cross-connection control programs that rely both on premises isolation and in-premises protection:

(i) Shall comply with the premises isolation requirements specified in subsection (4)(b) of this section; and

(ii) May reduce premises isolation requirements and rely on in-premises protection for premises other than the type addressed in subsection (4)(b) of this section, only if the following conditions are met:

(A) The in-premises backflow preventers provide a level of protection commensurate with the purveyor's assessed degree of hazard;

(B) Backflow preventers which provide the in-premises backflow protection meet the definition of approved backflow preventers as described in WAC **246-290-010**;

(C) The approved backflow preventers are installed, inspected, tested (if applicable), maintained, and repaired in accordance with subsections (6) and (7) of this section;

(D) Records of the backflow preventers are maintained in accordance with subsections (3)(j) and (8) of this section; and

(E) The purveyor has reasonable access to the consumer's premises to conduct an initial hazard evaluation and periodic reevaluations to determine whether the in-premises protection is adequate to protect the purveyor's distribution system.

(h) The purveyor shall take appropriate corrective action as authorized by the legal instrument required by subsection (3)(b) of this section, when:

(i) A cross-connection exists that is not controlled commensurate to the degree of hazard assessed by the purveyor; or

(ii) A consumer fails to comply with the purveyor's requirements regarding the installation, inspection, testing, maintenance or repair of approved backflow preventers required by this chapter.

(i) The purveyor's corrective action may include, but is not limited to:

(i) Denying or discontinuing water service to a consumer's premises until the cross-connection hazard is eliminated or controlled to the satisfaction of the purveyor;

(ii) Requiring the consumer to install an approved backflow preventer for premises isolation commensurate with the degree of hazard; or

(iii) The purveyor installing an approved backflow preventer for premises isolation commensurate with the degree of hazard.

(j) Except in the event of an emergency, purveyors shall notify the authority having jurisdiction prior to denying or discontinuing water service to a consumer's premises for one or more of the reasons listed in (h) of this subsection.

(k) The purveyor shall prohibit the intentional return of used water to the purveyor's distribution system. Used water includes, but is not limited to, water used for heating, cooling, or other purposes within the consumer's water system.

(3) Minimum elements of a cross-connection control program.

(a) To be acceptable to the department, the purveyor's cross-connection control program shall include the minimum elements identified in this subsection.

(b) Element 1: The purveyor shall adopt a local ordinance, resolution, code, bylaw, or other written legal instrument that:

(i) Establishes the purveyor's legal authority to implement a cross-connection control program;

(ii) Describes the operating policies and technical provisions of the purveyor's cross-connection control program; and

(iii) Describes the corrective actions used to ensure that consumers comply with the purveyor's cross-connection control requirements.

(c) Element 2: The purveyor shall develop and implement procedures and schedules for evaluating new and existing service connections to assess the degree of hazard posed by the consumer's premises to the purveyor's distribution system and notifying the consumer within a reasonable time frame of the hazard evaluation results. At a minimum, the program shall meet the following:

(i) For connections made on or after April 9, 1999, procedures shall ensure that an initial evaluation is conducted before water service is provided;

(ii) For all other connections, procedures shall ensure that an initial evaluation is conducted in accordance with a schedule acceptable to the department; and

(iii) For all service connections, once an initial evaluation has been conducted, procedures shall ensure that periodic reevaluations are conducted in accordance with a schedule acceptable to the department and whenever there is a change in the use of the premises.

(d) Element 3: The purveyor shall develop and implement procedures and schedules for ensuring that:

(i) Cross-connections are eliminated whenever possible;

(ii) When cross-connections cannot be eliminated, they are controlled by installation of approved backflow preventers commensurate with the degree of hazard; and

(iii) Approved backflow preventers are installed in accordance with the requirements of subsection (6) of this section.

(e) Element 4: The purveyor shall ensure that personnel, including at least one person certified as a CCS, are provided to develop and implement the cross-connection control program.

(f) Element 5: The purveyor shall develop and implement procedures to ensure that approved backflow preventers relied upon to protect the public water system are inspected and/or tested (as applicable) under subsection (7) of this section.

(g) Element 6: The purveyor shall develop and implement a backflow prevention assembly testing quality control assurance program, including, but not limited to, documentation of BAT certification and test kit calibration, test report contents, and time frames for submitting completed test reports.

(h) Element 7: The purveyor shall develop and implement (when appropriate) procedures for responding to backflow incidents.

(i) Element 8: The purveyor shall include information on cross-connection control in the purveyor's existing program for educating consumers about water system operation. The public education program may include periodic bill inserts, public service announcements, pamphlet distribution, notification of new consumers and consumer confidence reports.

(j) Element 9: The purveyor shall develop and maintain cross-connection control records including, but not limited to, the following:

(i) A master list of service connections and/or consumer's premises where the purveyor relies upon approved backflow preventers to protect the public water system from contamination, the assessed hazard level of each, and the required backflow preventer(s);

(ii) Inventory information on backflow preventers that protect the public water system including:

(A) Approved air gaps installed in lieu of approved assemblies including exact air gap location, assessed degree of hazard, installation date, history of inspections, inspection results, and person conducting inspections;

(B) Approved backflow assemblies including exact assembly location, assembly description (type, manufacturer, model, size, and serial number), assessed degree of hazard, installation date, history of inspections, tests and repairs, test results, and person performing tests; and

(C) Approved AVBs used for irrigation system applications including location, description (manufacturer, model, and size), installation date, history of inspection(s), and person performing inspection(s).

(iii) Cross-connection program summary reports and backflow incident reports required under subsection (8) of this section.

(k) Element 10: Purveyors who distribute and/or have facilities that receive reclaimed water within their water service area shall meet any additional cross-connection control requirements imposed by the department in a permit issued under chapter 90.46 RCW.

(4) Approved backflow preventer selection.

(a) The purveyor shall ensure that a CCS:

(i) Assesses the degree of hazard posed by the consumer's water system upon the purveyor's distribution system; and

(ii) Determines the appropriate method of backflow protection for premises isolation as described in Table 8.

**TABLE 8
APPROPRIATE METHODS OF BACKFLOW
PROTECTION FOR PREMISES ISOLATION**

Degree of Hazard	Application Condition	Appropriate Approved Backflow Preventer
High health cross-connection hazard	Backsiphonage or backpressure backflow	AG, RPBA, or RPDA
	Backsiphonage or	AG, RPBA, RPDA,

Degree of Hazard	Application Condition	Appropriate Approved Backflow Preventer
Low cross-connection hazard	backpressure backflow	DCVA, or DCDA

(b) Premises isolation requirements.

(i) The purveyor shall ensure that an approved air gap, RPBA, or RPDA is installed for premises isolation for service connections to premises posing a high health cross-connection hazard including, but not limited to, those premises listed in Table 9, except those premises identified as severe in (b)(ii) of this subsection.

(ii) For service connections to premises posing a severe health cross-connection hazard including wastewater treatment plants, radioactive material processing plants, and nuclear reactors, the purveyor shall ensure that either an:

(A) Approved air gap is installed for premises isolation; or

(B) Approved RPBA or RPDA is installed for premises isolation in combination with an in-plant approved air gap.

(iii) If the purveyor's CCS determines that no hazard exists for a connection serving premises of the type listed in Table 9, the purveyor may grant an exception to the premises isolation requirements of (b)(i) of this subsection.

(iv) The purveyor shall document, on a case-by-case basis, the reasons for granting an exception under (b)(i) of this subsection and include the documentation in the cross-connection control program annual summary report required in subsection (8) of this section.

**TABLE 9
SEVERE* AND HIGH HEALTH CROSS-CONNECTION
HAZARD PREMISES REQUIRING PREMISES
ISOLATION BY AG OR RPBA**

- Agricultural (farms and dairies)
- Beverage bottling plants
- Car washes
- Chemical plants
- Commercial laundries and dry cleaners
- Premises where both reclaimed water and potable water are provided
- Film processing facilities
- Food processing plants
- Hospitals, medical centers, nursing homes, veterinary, medical and dental clinics, and blood plasma centers
- Premises with separate irrigation systems using the purveyor's water supply and with chemical addition⁺
- Laboratories

Metal plating industries
 Mortuaries
 Petroleum processing or storage plants
 Piers and docks
 Radioactive material processing plants or nuclear reactors*
 Survey access denied or restricted
 Wastewater lift stations and pumping stations
 Wastewater treatment plants*
 Premises with an unapproved auxiliary water supply interconnected with the potable water supply

+ For example, parks, playgrounds, golf courses, cemeteries, estates, etc.

* RPBA's for connections serving these premises are acceptable only when used in combination with an in-plant approved air gap; otherwise, the purveyor shall require an approved air gap at the service connection.

(c) Backflow protection for single-family residences.

(i) For single-family residential service connections, the purveyor shall comply with the premises isolation requirements of (b) of this subsection when applicable.

(ii) If the requirements of (b) of this subsection do not apply and the requirements specified in subsection (2)(g)(ii) of this section are met, the purveyor may rely on backflow protection provided at the point of hazard in accordance with WAC **51-56-0600** of the UPC for hazards such as, but not limited to:

- (A) Irrigation systems;
- (B) Swimming pools or spas;
- (C) Ponds; and
- (D) Boilers.

For example, the purveyor may accept an approved AVB on a residential irrigation system, if the AVB is properly installed under the UPC.

(d) Backflow protection for fire protection systems.

(i) Backflow protection is not required for residential flow-through or combination fire protection systems constructed of potable water piping and materials.

(ii) For service connections with fire protection systems other than flow-through or combination systems, the purveyor shall ensure that backflow protection consistent with WAC **51-56-0600** of the UPC is installed. The UPC requires minimum protection as follows:

(A) An RPBA or RPDA for fire protection systems with chemical addition or using unapproved auxiliary water supply; and

(B) A DCVA or DCDA for all other fire protection systems.

(iii) For connections made on or after April 9, 1999, the purveyor shall ensure that backflow protection is installed before water service is provided.

(iv) For existing fire protection systems:

(A) With chemical addition or using unapproved auxiliary supplies, the purveyor shall ensure that backflow protection is installed within ninety days of the purveyor notifying the consumer of the high health cross-connection hazard or in accordance with an alternate schedule acceptable to the purveyor.

(B) Without chemical addition, without on-site storage, and using only the purveyor's water (i.e., no unapproved auxiliary supplies on or available to the premises), the purveyor shall ensure that backflow protection is installed in accordance with a schedule acceptable to the purveyor or at an earlier date if required by the code official administering the State Building Code as defined in chapter **51-04** WAC.

(C) When establishing backflow protection retrofitting schedules for fire protection systems that have the characteristics listed in (d)(iv)(B) of this subsection, the purveyor may consider factors such as, but not limited to, impacts of assembly installation on sprinkler performance, costs of retrofitting, and difficulty of assembly installation.

(e) Purveyors may require approved backflow preventers commensurate with the degree of hazard as determined by the purveyor to be installed for premises isolation for connections serving premises that have characteristics such as, but not limited to, the following:

- (i) Complex plumbing arrangements or plumbing potentially subject to frequent changes that make it impracticable to assess whether cross-connection hazards exist;
- (ii) A repeated history of cross-connections being established or reestablished; or
- (iii) Cross-connection hazards are unavoidable or not correctable, such as, but not limited to, tall buildings.

(5) Approved backflow preventers.

(a) The purveyor shall ensure that all backflow prevention assemblies relied upon by the purveyor are models included on the current list of backflow prevention assemblies approved for use in Washington state. The current approved assemblies list is available from the department upon request.

(b) The purveyor may rely on testable backflow prevention assemblies that are not currently approved by the department, if the assemblies:

- (i) Were included on the department and/or USC list of approved backflow prevention assemblies at the time of installation;
- (ii) Have been properly maintained;
- (iii) Are commensurate with the purveyor's assessed degree of hazard; and
- (iv) Have been inspected and tested at least annually and have successfully passed the annual tests.

(c) The purveyor shall ensure that an unlisted backflow prevention assembly is replaced by an approved assembly commensurate with the degree of hazard, when the unlisted assembly:

- (i) Does not meet the conditions specified in (b)(i) through (iv) of this subsection;
- (ii) Is moved; or
- (iii) Cannot be repaired using spare parts from the original manufacturer.

(d) The purveyor shall ensure that AVBs meet the definition of approved atmospheric vacuum breakers as described in WAC **246-290-010**.

(6) Approved backflow preventer installation.

(a) The purveyor shall ensure that approved backflow preventers are installed in the orientation for which they are approved (if applicable).

(b) The purveyor shall ensure that approved backflow preventers are installed in a manner that:

- (i) Facilitates their proper operation, maintenance, inspection, in-line testing (as applicable), and repair using standard installation procedures acceptable to the department such as those in the USC Manual or PNWS-AWWA Manual;

(ii) Ensures that the assembly will not become submerged due to weather-related conditions such as flooding; and

(iii) Ensures compliance with all applicable safety regulations.

(c) The purveyor shall ensure that approved backflow assemblies for premises isolation are installed at a location adjacent to the meter or property line or an alternate location acceptable to the purveyor.

(d) When premises isolation assemblies are installed at an alternate location acceptable to the purveyor, the purveyor shall ensure that there are no connections between the point of delivery from the public water system and the approved backflow assembly, unless the installation of the connection meets the purveyor's cross-connection control requirements and is specifically approved by the purveyor.

(e) The purveyor shall ensure that approved backflow preventers are installed in accordance with the following time frames:

(i) For connections made on or after April 9, 1999, the following conditions shall be met before service is provided:

(A) The provisions of subsection (3)(d)(ii) of this section; and

(B) Satisfactory completion of the requirements of subsection (7) of this section.

(ii) For existing connections where the purveyor identifies a high health cross-connection hazard, the provisions of (3)(d)(ii) of this section shall be met:

(A) Within ninety days of the purveyor notifying the consumer of the high health cross-connection hazard; or

(B) In accordance with an alternate schedule acceptable to the purveyor.

(iii) For existing connections where the purveyor identifies a low cross-connection hazard, the provisions of subsection (3)(d)(ii) of this section shall be met in accordance with a schedule acceptable to the purveyor.

(f) The purveyor shall ensure that bypass piping installed around any approved backflow preventer is equipped with an approved backflow preventer that:

(i) Affords at least the same level of protection as the approved backflow preventer that is being bypassed; and

(ii) Complies with all applicable requirements of this section.

(7) Approved backflow preventer inspection and testing.

(a) For backflow preventers that protect the public water system, the purveyor shall ensure that:

(i) A CCS inspects backflow preventer installations to ensure that protection is provided commensurate with the assessed degree of hazard;

(ii) Either a BAT or CCS inspects:

(A) Air gaps installed in lieu of approved backflow prevention assemblies for compliance with the approved air gap definition; and

(B) Backflow prevention assemblies for correct installation and approval status.

(iii) A BAT tests approved backflow prevention assemblies for proper operation.

(b) The purveyor shall ensure that inspections and/or tests of approved air gaps and approved backflow assemblies that protect the public water system are conducted:

(i) When any of the following occur:

(A) Upon installation, repair, reinstallation, or relocation of an assembly;

(B) Upon installation or replumbing of an air gap;

(C) After a backflow incident involving the assembly or air gap; and

(ii) Annually thereafter, unless the purveyor requires more frequent testing for high hazard premises or for assemblies that repeatedly fail.

(c) The purveyor shall ensure that inspections of AVBs installed on irrigation systems are conducted:

- (i) At the time of installation;
- (ii) After a backflow incident; and
- (iii) After repair, reinstallation, or relocation.

(d) The purveyor shall ensure that approved backflow prevention assemblies are tested using procedures acceptable to the department, such as those specified in the most recently published edition of the USC Manual. When circumstances, such as, but not limited to, configuration or location of the assembly, preclude the use of USC test procedures, the purveyor may allow, on a case-by-case basis, the use of alternate (non-USC) test procedures acceptable to the department.

(e) The purveyor shall ensure that results of backflow prevention assembly inspections and tests are documented and reported in a manner acceptable to the purveyor.

(f) The purveyor shall ensure that an approved backflow prevention assembly or AVB, whenever found to be improperly installed, defective, not commensurate with the degree of hazard, or failing a test (if applicable) is properly reinstalled, repaired, overhauled, or replaced.

(g) The purveyor shall ensure that an approved air gap, whenever found to be altered or improperly installed, is properly replumbed or, if commensurate with the degree of hazard, is replaced by an approved RPBA.

(8) Recordkeeping and reporting.

(a) Purveyors shall keep cross-connection control records for the following time frames:

(i) Records pertaining to the master list of service connections and/or consumer's premises required in subsection (3)(j)(i) of this section shall be kept as long as the premises pose a cross-connection hazard to the purveyor's distribution system;

(ii) Records regarding inventory information required in subsection (3)(j)(ii) of this section shall be kept for five years or for the life of the approved backflow preventer whichever is shorter; and

(iii) Records regarding backflow incidents and annual summary reports required in subsection (3)(j)(iii) of this section shall be kept for five years.

(b) Purveyors may maintain cross-connection control records in original form or transfer data to tabular summaries.

(c) Purveyors may maintain records or data in any media, such as paper, film, or electronic format.

(d) The purveyor shall complete the cross-connection control program summary report annually. Report forms and guidance on completing the report are available from the department.

(e) The purveyor shall make all records and reports required in subsection (3)(j) of this section available to the department or its representative upon request.

(f) The purveyor shall notify the department, authority having jurisdiction, and local health jurisdiction as soon as possible, but no later than the end of the next business day, when a backflow incident is known by the purveyor to have:

- (i) Contaminated the public water system; or
- (ii) Occurred within the premises of a consumer served by the purveyor.

(g) The purveyor shall:

- (i) Document details of backflow incidents contaminating the public water system on a backflow incident report form available from the department; and
- (ii) Include all backflow incident report(s) in the annual cross-connection program summary report referenced in (d) of this subsection, unless otherwise requested by the department.

[Statutory Authority: RCW **70.119A.180** and **43.20.050**. WSR 08-03-061, § 246-290-490, filed 1/14/08, effective 2/14/08. Statutory Authority: RCW **43.20.050** (2) and (3) and **70.119A.080**. WSR 03-08-037, § 246-290-490, filed 3/27/03, effective 4/27/03. Statutory Authority: RCW **43.02.050** [43.20.050]. WSR 99-07-021, § 246-290-490, filed 3/9/99, effective 4/9/99. Statutory Authority: RCW **43.20.050**. WSR 91-02-051 (Order 124B), recodified as § 246-290-490, filed 12/27/90, effective 1/31/91. Statutory Authority: P.L. 99-339. WSR 89-21-020 (Order 336), § 248-54-285, filed 10/10/89, effective 11/10/89. Statutory Authority: RCW **34.04.045**. WSR 88-05-057 (Order 307), § 248-54-285, filed 2/17/88. Statutory Authority: RCW **43.20.050**. WSR 83-19-002 (Order 266), § 248-54-285, filed 9/8/83.]

WAC 51-56-0600

Chapter 6— Water supply and distribution.

603.1 General. Cross-connection control shall be provided in accordance with the provisions of this chapter. Devices or assemblies for protection of the public water system must be models approved by the department of health under WAC 246-290-490. The authority having jurisdiction shall coordinate with the local water purveyor where applicable in all matters concerning cross-connection control within the property lines of the premises.

No person shall install any water operated equipment or mechanism, or use any water treating chemical or substance, if it is found that such equipment, mechanism, chemical or substance may cause pollution or contamination of the domestic water supply. Such equipment or mechanism may be permitted only when equipped with an approved backflow prevention device or assembly.

603.2 Approval of Devices or Assemblies. Before any device or assembly is installed for the prevention of backflow, it shall have first been approved by the authority having jurisdiction. Devices or assemblies shall be tested for conformity with recognized standards or other standards acceptable to the authority having jurisdiction. Backflow prevention devices and assemblies shall comply with Table 603.2, except for specific applications and provisions as stated in Section 603.5.1 through 603.5.21.

All devices or assemblies installed in a potable water supply system for protection against backflow shall be maintained in good working condition by the person or persons having control of such devices or assemblies. Such devices or assemblies shall be tested in accordance with Section 603.4.2 and WAC 246-290-490. If found to be defective or inoperative, the device or assembly shall be replaced or repaired. No device or assembly shall be removed from use or relocated or other device or assembly substituted, without the approval of the authority having jurisdiction.

Testing shall be performed by a Washington state department of health certified backflow assembly tester.

**TABLE 603.2
Backflow Prevention Devices, Assemblies and Methods
The following line is deleted from the table:**

Device, Assembly or Method	Applicable Standards	Pollution (Low Hazard)		Contamination (High Hazard)		Installation
		Back Siphonage	Back Pressure	Back Siphonage	Back Pressure	
Backflow preventer for carbonated beverage dispensers (two independent checkvalves with a vent to	ASSE 1022	X				Installation includes carbonated beverage machines or dispensers. These devices operate under

Device, Assembly or Method	Applicable Standards	Pollution (Low Hazard)		Contamination (High Hazard)		Installation
		Back Siphonage	Back Pressure	Back Siphonage	Back Pressure	
the atmosphere.)						intermittent or continuous pressure conditions.

603.4.2 Testing. For devices and assemblies other than those regulated by the Washington department of health in conjunction with the local water purveyor for the protection of public water systems, the authority having jurisdiction shall ensure that the premise owner or responsible person shall have the backflow prevention assembly tested by a Washington state department of health certified backflow assembly tester:

- (1) At the time of installation, repair or relocation; and
- (2) At least on an annual schedule thereafter, unless more frequent testing is required by the authority having jurisdiction.

603.5.6 Protection from Lawn Sprinklers and Irrigation Systems. Potable water supplies to systems having no pumps or connections for pumping equipment, and no chemical injection or provisions for chemical injection, shall be protected from backflow by one of the following:

- (1) Atmospheric vacuum breaker (AVB).
- (2) Pressure vacuum breaker backflow prevention assembly (PVB).
- (3) Spill-resistant pressure vacuum breaker (SVB).
- (4) Reduced pressure principle backflow prevention assembly (RP).
- (5) A double check valve backflow prevention assembly (DC) may be allowed when approved by the water purveyor and the authority having jurisdiction.

603.5.10 Steam or Hot Water Boilers. Potable water connections to steam or hot water boilers shall be protected by an air gap or a reduced pressure principle backflow preventer.

603.5.12 Beverage Dispensers. Potable water supply to carbonators shall be protected by a listed reduced pressure principle backflow preventer as approved by the authority having jurisdiction for the specific use. The backflow preventer shall be located in accordance with Section 603.4.3. The piping downstream of the backflow preventer shall not be of copper, copper alloy, or other material that is affected by carbon dioxide.

603.5.13 Prohibited Location. Backflow preventers shall not be located in any area containing fumes or aerosols that are toxic, poisonous, infectious, or corrosive.

603.5.15 Protection from Fire Systems. Except as provided under Sections 603.5.15.1 and 603.5.15.2, potable water supplies to fire protection systems that are normally under pressure, including but not limited to standpipes and automatic sprinkler systems, except in one or two family or townhouse residential flow-through or combination sprinkler systems piped in materials approved for potable water distribution systems, shall be protected from back-pressure and back-siphonage by one of the following testable assemblies:

1. Double check valve backflow prevention assembly (DC).
2. Double check detector fire protection backflow prevention assembly.

3. Reduced pressure principle backflow prevention assembly (RP).
4. Reduced pressure detector fire protection backflow prevention assembly.

Potable water supplies to fire protection systems that are not normally under pressure shall be protected from backflow and shall meet the requirements of the appropriate standard(s) referenced in Table 1401.1.

604.11 Lead Content. The maximum allowable lead content in pipes, pipe fittings, plumbing fittings and fixtures intended to convey or dispense water for human consumption shall be not more than a weighted average of 0.25 percent with respect to the wetted surfaces of pipes, pipe fittings, plumbing fittings and fixtures. For solder and flux, the lead content shall be not more than 0.2 percent where used in piping systems that convey or dispense water for human consumption.

EXCEPTIONS: 1. Pipes, pipe fittings, plumbing fittings, fixtures or backflow preventers used for nonpotable services such as manufacturing, industrial processing, irrigation, outdoor watering, or any other uses where the water is not used for human consumption.

2. Water closets, bidets, urinals, fill valves, flushometer valves, tub fillers, shower valves, service saddles, or water distribution main gate valves that are two inches (50 mm) in diameter or larger.

604.14 Plastic water service piping may terminate within a building, provided the connection to the potable water distribution system shall be made as near as is practical to the point of entry and shall be accessible. Barbed insert fittings with hose clamps are prohibited as a transition fitting within the building.

608.5 Drains. Relief valves located inside a building shall be provided with a drain, not smaller than the relief valve outlet, of galvanized steel, hard drawn copper piping and fittings, CPVC, PP, or listed relief valve drain tube with fittings which will not reduce the internal bore of the pipe or tubing (straight lengths as opposed to coils) and shall extend from the valve to the outside of the building, with the end of the pipe not more than two (2) feet (610 mm) nor less than six (6) inches (152 mm) above the ground or the flood level of the area receiving the discharge and pointing downward. Such drains may terminate at other approved locations. No part of such drain pipe shall be trapped or subject to freezing. The terminal end of the drain pipe shall not be threaded.

EXCEPTION: Where no drainage was provided, replacement water heating equipment shall only be required to provide a drain pointing downward from the relief valve to extend between two feet (610 mm) and six inches (152 mm) from the floor. No additional floor drain need be provided.

610.4 Systems within the range of Table 610.4 may be sized from that table or by the method set forth in Section 610.5.

Listed parallel water distribution systems shall be installed in accordance with their listing.

612.1 General. Where residential fire sprinkler systems are installed, they shall be installed in accordance with the International Building Code or International Residential Code.

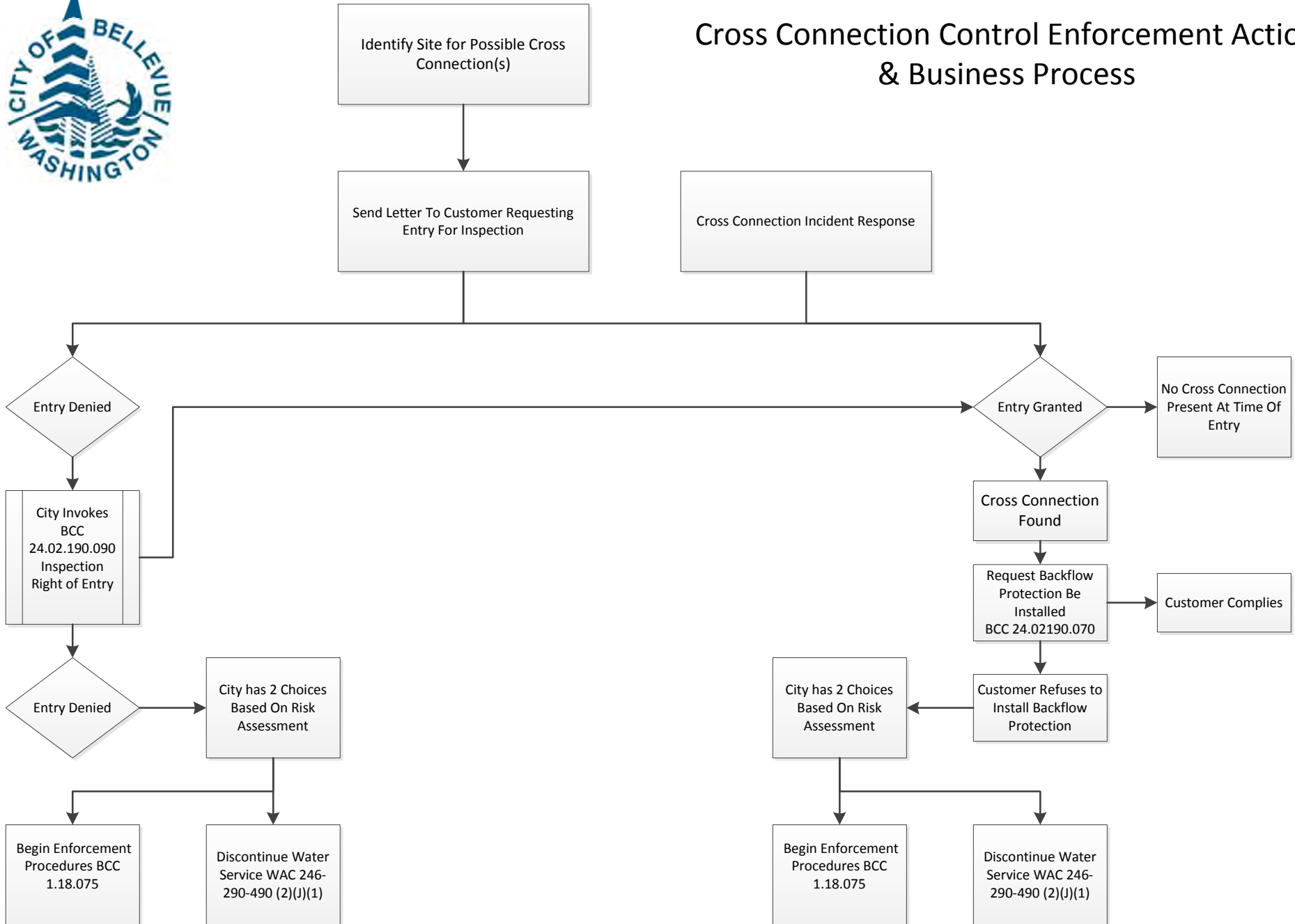
613.0 Insulation of Potable Water Piping. Domestic water piping within commercial buildings shall be insulated in accordance with Section C403.2.8 and Table C403.2.8 or Section C404.6 of the Washington State Energy Code, as applicable.

[Statutory Authority: RCW [19.27A.025](#), [19.27A.045](#), and [19.27.074](#). WSR 13-23-094, § 51-56-0600, filed 11/20/13, effective 4/1/14. Statutory Authority: RCW [19.27.074](#), [19.27.031](#) and

chapters **19.27** and **34.05** RCW. WSR 13-04-054, § 51-56-0600, filed 2/1/13, effective 7/1/13. Statutory Authority: RCW **19.27.031**, **19.27.035**, **19.27.074**, and chapters **19.27** and **34.05** RCW. WSR 12-07-018, § 51-56-0600, filed 3/12/12, effective 4/12/12. Statutory Authority: RCW **19.27.074**, **19.27.031** and chapters **19.27** and **34.05** RCW. WSR 10-03-101, § 51-56-0600, filed 1/20/10, effective 7/1/10. Statutory Authority: RCW **19.27.190**, **19.27.020** and chapters **19.27** and **34.05** RCW. WSR 07-01-094, § 51-56-0600, filed 12/19/06, effective 7/1/07. Statutory Authority: RCW **19.27.031** and **19.27.074**. WSR 04-01-110, § 51-56-0600, filed 12/17/03, effective 7/1/04; WSR 02-01-114, § 51-56-0600, filed 12/18/01, effective 7/1/02.]

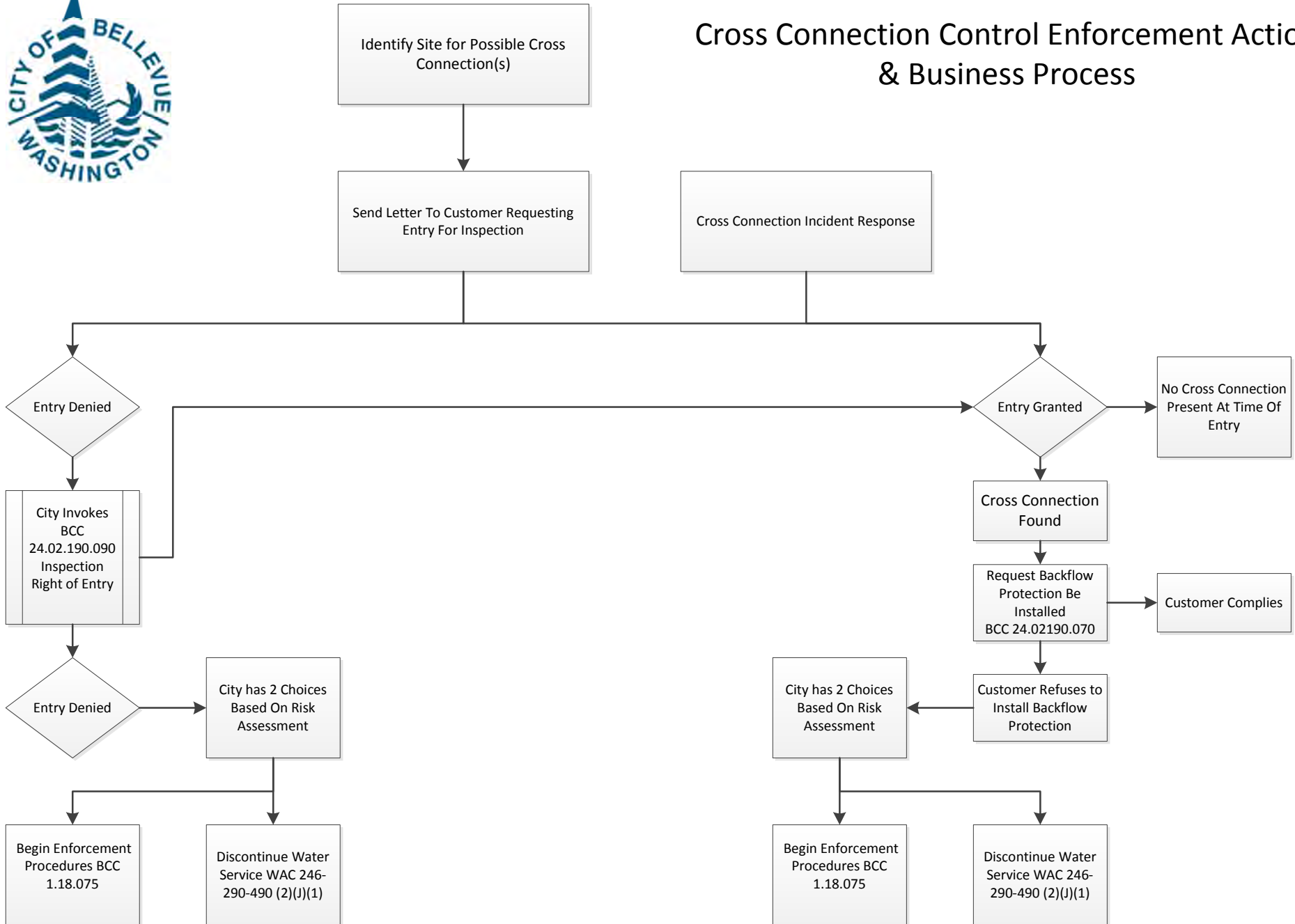


Cross Connection Control Enforcement Action & Business Process





Cross Connection Control Enforcement Action & Business Process



DRINKING WATER QUALITY EMERGENCY RESPONSE PLAN

Updated: November 2010

Coordinator: Mike Graves, Water Quality Supervisor



I. Policy

The mission of the City of Bellevue's Utilities Department Emergency Management Program is to protect lives, property, and environment, and in cooperation with other departments of the City, to carry out preparedness and mitigation activities, respond to natural and man-made emergencies and disasters, and to coordinate the recovery efforts for such events.

The purpose of this plan is to document established policies and procedures which Utilities will follow during a drinking water quality emergency, with the Operations and Maintenance Division (O&M), Water Quality Group, as lead in response.

These policies and procedures serve as a guideline to management and support staff during drinking water quality emergency events and as an informational and educational tool to others. It does not identify specific actions to be taken in *all* water quality emergencies, because for each potential water quality emergency there are numerous variables and mandates that must be considered to determine the appropriate, necessary, and required actions of the department. Instead, the specific response actions for the emergency event will be determined by Incident Command (IC) and public health regulators when necessary, as the emergency develops and as the emergency response progresses. They are intended to be used in conjunction with the Operations and Maintenance Division's disaster response procedures (included in the *Bellevue Utilities Emergency Management Plan*, Volume 1, aka the "Red Book").

II. General Information

The Drinking Water Quality Emergency Response Plan defines:

- The command structure responsible to coordinate and implement the response to a drinking water quality emergency;
- The roles and responsibilities of department staff who will support the command structure during an emergency;
- The stages and actions that should be implemented in the event of an emergency;
- Notification protocols in the event of an emergency;

The command structure and water quality emergencies that are identified in this plan can be used as a basic framework for most water quality events that may arise. They respond to:

1. Non-acute violations of primary or secondary state and federal drinking water quality standards.
2. Acute violations of primary or secondary state and federal drinking water quality standards.
3. Backflows of a fluid, gas or solid material into the public water supply from a cross connection, or other system contamination event.
4. Intentional breach or intentional contamination of the city's potable drinking water supply.

Non-acute violations do not present an imminent threat to public health and safety, do not require immediate public notification, and do not require emergency corrective actions to be implemented immediately in order to correct the violation. However, non-acute violations do present a chronic threat to public health, do require timely, planned corrective measures, and do require public notification within a time period specified by the state and federal regulations.

Acute Violations, Backflow Contamination Events, and Breaches/Contamination, when confirmed, presents an immediate threat to public health and safety; require immediate public notification, and emergency containment and mitigation.

(Definitions of Acute and Non-Acute violations can be found in the References Section)

III. Overview of the Water Quality Emergency Response Plan Stages

To respond to potential water quality emergencies in a progressive manner, the plan is divided into two stages, an Alert Stage and a Response Stage, which are described as follows:

– ALERT STAGE –

In general, the Alert Stage is a time when staff are investigating a potential contamination or breach event where Water Quality has been alerted to a potential acute or non-acute violation, a backflow event, or a breach of the water system. The command structure, as well as department and appropriate city staff have been alerted to the potential emergency by email, phone, or direct contact. Water Quality is in the process of confirming whether the emergency does or does not exist.

Alert Stage Notification: Utilities Director, Deputy Director, Assistant Director, Operations Managers, PIO, WQ Supervisor, Water Operations Supervisor, Water Superintendant

Information required:

- Nature of investigation
- Suspected source of potential contaminant
- Other agencies to be notified
- Expected date of resolution

– RESPONSE STAGE –

Upon confirmation of a violation, water contamination, or breach, the event will progress into the Response Stage, which includes potential activation of the Incident Command structure and Utilities Incident Command. Utilities Incident Command will then determine if the EOC needs to be activated.

The Response Stage identifies three primary response protocols, depending on the type of event, to be used as a guideline for incident command and field response.

• **RESPONSE PROTOCOL #1: RESPONSE TO A NON-ACUTE WATER QUALITY VIOLATION**

(IC may not need to be activated)

A non-acute violation has been confirmed by Water Quality. The Command Structure has been convened in a timely manner to develop and implement an appropriate response to correct the problem. Staff members previously notified are updated as information becomes available. Plans

for mandated public notification are developed and implemented in coordination with state and federal regulations and regional water system partners. Any water system investigations of work that needs to be done is documented and planned.

- **RESPONSE PROTOCOL #2: ACUTE WATER QUALITY VIOLATION OR CONFIRMED BACKFLOW EVENT**
(IC and EOC may be activated)

An acute violation of state or federal water quality regulations or backflow event has been confirmed. Incident Command and EOC may be activated, depending on specific circumstances to develop and implement an appropriate response to contain and mitigate the contamination. Public notification of the emergency may be implemented via the media per state and federal requirements in coordination with State Department of Health, regional water system partners, and the Local administrative Authority (in the case of a backflow event the building official will need to be notified).

- **RESPONSE PROTOCOL #3: CONFIRMED BREACH OR INTENTIONAL CONTAMINATION OF THE WATER SUPPLY**

(IC and EOC activated)

Bellevue Utilities Water Security Plan identifies response protocols for potential breaches of water system infrastructure. When a breach is suspected law enforcement is called to assist response and investigation. If a breach is confirmed, Incident Command and the EOC are convened to develop and implement appropriate support and response to contain and mitigate the event. State and federal law enforcement and health authorities will provide a lead role in incident response. Until it is confirmed that the public water supply has not been contaminated or tampered with it is assumed the water must not be contacted. Immediate notification of the appropriate authorities and regional water system partners is undertaken. Immediate isolation of affected areas per the Water Security Manual is completed while a “no contact” public notification is disseminated.

Each response stage has notification requirements unique to the circumstances. Below is an example of minimum notification requirements under the Response stage.

Response Stage Notification (Direct contact of phone):

Utilities Assistant Director and/or Director or Deputy Director. Washington State Department of Health, and possibly Bellevue Police, Fire, Seattle/King County Public Health, Cascade Water Alliance, Seattle Public Utilities and consecutive system purveyors. Re-notification to Alert Stage staff as needed.

Information required:

- Nature of contaminant
- Suspected source of the contaminant (or source investigation information)
- Severity and health effects of the contamination
- Where the contaminant was detected and where it may be heading
- Who is currently, and could possibly be affected
- Response Protocol to be activated
- Other agencies to be notified
- Public notification requirements

Situation & Assumptions:

- This document is meant to provide a guideline to emergency responders as, in some cases, the variables related to the event may create a situation where additional or modified measures are required.

- A massive earthquake or natural disaster that significantly compromises the integrity of the water distribution system will likely create an immediate need to activate boil water or no contact advisory depending upon the nature of the event.
- In a City-wide water quality emergency, where the inlet waters have been compromised, it should be assumed that all potable water has been affected, whether confirmed or not. Boil water or no contact orders will be in place until area specific restrictions can be lifted (with approval of regulators).
- In the event of a water quality emergency, the City of Bellevue has the option to deploy emergency drinking water resources (wells, mobile pipeline and/or the “Blivet”). These resources should not be deployed unless drinking water will not be available for more than 5 days.
- Public notification of the water quality emergency, where required, will be implemented by the City of Bellevue’s Public Information Officer (PIO) and the City Manager’s Office, in coordination with regulators and regional water partners and must follow state and federal requirements for public notification.

CD Copies of most mandatory public notification templates have been distributed to WQ staff, O&M AD, and Utilities PIO (see references)

- All water quality laboratory samples that are required must be collected by water quality staff, certified water operators with training and/or experience with water sampling, or individuals identified by the Incident Commander as competent in drinking water quality sampling.
- All Hazards Response Communication plans will be in place in 2011 to ensure consistency of operations with Seattle Public Utilities (SPU) and are followed by City of Bellevue. Until such time, emergency coordination efforts will be responded to on a case by case basis
- In the event of an emergency requiring laboratory sampling, Seattle Public Utilities will be the primary laboratory used, unless otherwise determined by Incident Command (see references.)

IV. Divisional Roles and Responsibilities

Command Structure

The Command Structure shall include staff from Water Quality, Water Operations, Water Maintenance, Utilities Engineering, and the Department's Public Information Officer. The Command Structure is responsible to develop, coordinate and implement all actions necessary to respond to water quality emergencies. The Water Quality Supervisor shall be the Incident Commander for Bellevue response. Command in coordination with Public Health and the state Department of Health may be required and response actions may need to be approved by regulatory authorities. In the event of a confirmed breach of the water system, Utilities Command will serve in an advisory role to state and federal incident response teams, including law Homeland Security and EPA region 10.

Water Quality Section

Water Quality staff in the Operations and Maintenance division shall lead field response. Their primary responsibilities include most activities related to alert stage notification and providing information to the Incident Commander regarding the nature of the emergency, regulations, violation, health impacts and mandated requirements; implementation and coordination of the Response Plan and emergency response; DOH compliance activities and development and dissemination of public information. Water Quality will also hold primary water quality sampling responsibilities.

Operations and Maintenance Section

Water Operations and Water Maintenance shall implement operational response measures under field direction by Water Quality and Incident Command. Responsibilities may include such actions as first response to potential breaches (security alarms), reservoir and pump station isolations per Water Security Plan, hydraulic zone isolations and/or flow pattern reconfiguration, system flushing, transportation and deployment of the Blivet and/or the Mobile Pipeline, and/or additional monitoring and other corrective measures as determined by the nature of the event.

Utilities Engineering

Primary Responsibility is to serve in advisory capacity to provide water system modeling information, to determine extent and direction of potential contaminant in distribution system. Utilities Planning Engineering Supervisor fills this role. Construction Inspectors may be deployed in the event widespread system flushing is required.

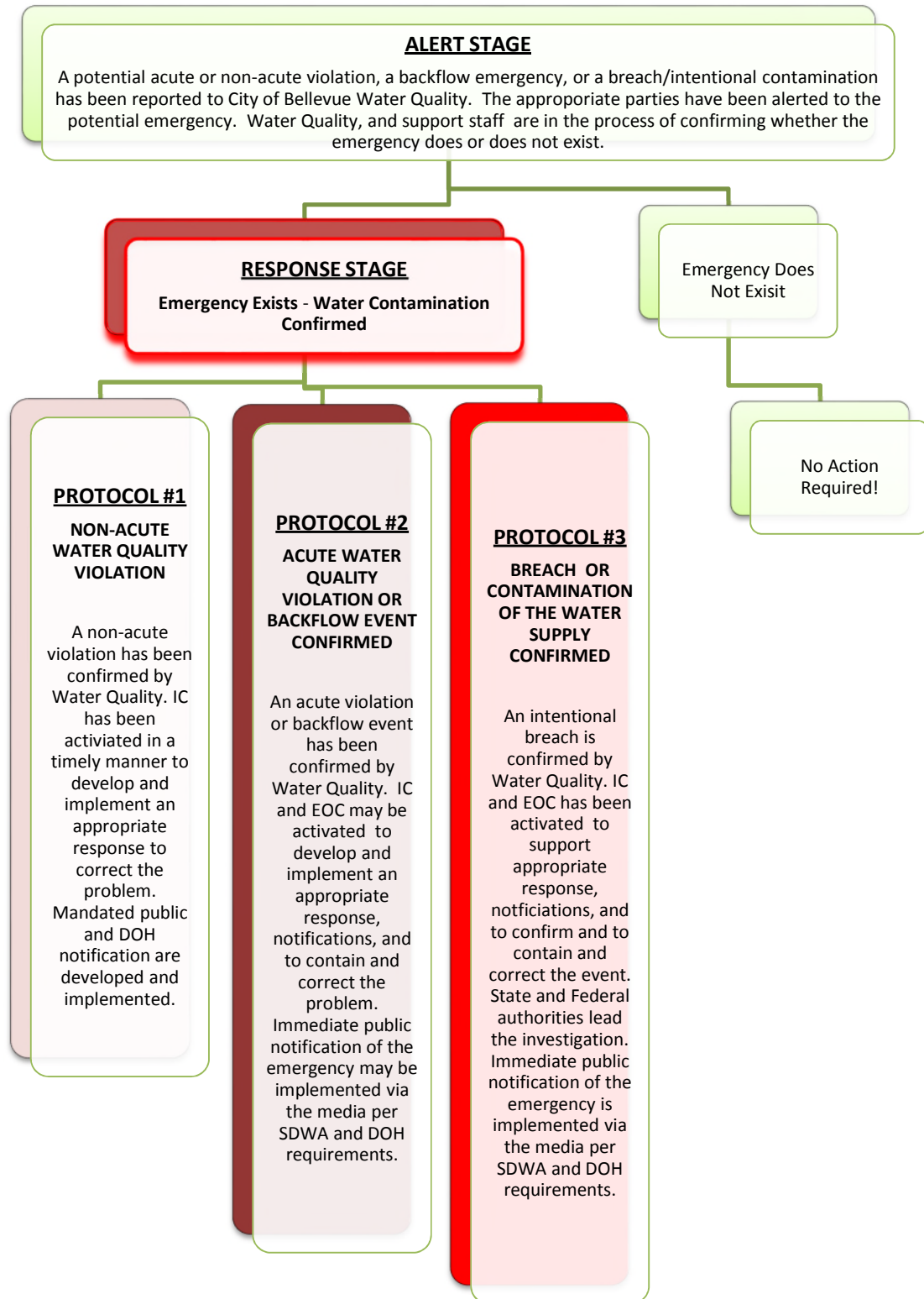
Utilities Public Information Officer

Assists in coordinating the release of mandated public information, providing consistent updated emergency response information to the city PIO and the public. The Incident Command will approve all technical content in concert with regulators prior to public information to be distributed.

V. Response

The objective of the emergency response is to secure public safety, limit property and environmental damage, reduce city liability, and protect continuity of service delivery. Figure 1 is the drinking water quality emergency response flow chart defining how to proceed when an emergency is identified or reported. The process is broken into two stages, an Alert Stage and a Response stage. The Alert Stage is set up to confirm if the emergency exists and the Response Stage is set up to help define the response required to mitigate the contamination.

Figure 1
Alert Stage and Response Guide



VI. Mitigation

Alert Stage Notifications

Examples of events that require notification under the alert stage include:

- Response to Coliform positive routine samples conducted as part of Coliform monitoring program.
- Evidence of breach or intentional contamination of water system facilities subjecting drinking water to vulnerability.
- Response to reported backflow event.
- Other Acute or Non-Acute violations of state and federal drinking water maximum contaminant levels or reporting requirements.

In some cases, such as an acute violation of primary drinking water standards or an obvious terrorist attack on the water system, the Alert Stage notification occurs concurrently with Response Protocol 2 or 3. In these circumstances, Incident Command is established immediately and is followed for the remainder of the event.

Response to Coliform positive samples

Bellevue is part of a state Department of Health approved regional Coliform Monitoring Program. Within this program, Seattle Public Utilities (SPU) collects 84 Coliform samples per month at 23 different sampling stations throughout Bellevue and analyzes them for the presence of Coliform bacteria. If a routine sample collected by SPU is positive for the presence of Coliform the Bellevue Utilities Water Quality group is notified and repeat sampling must be conducted. WQ staff implements Alert Stage notification and follow state and federal guidelines for collection of repeat samples.

Whenever a sample is analyzed and it is determined that total Coliform/E. coli bacteria are present, a set of **three repeat samples MUST be collected**. The three repeat samples must be collected within 24 hours of determining the presence of Coliform bacteria and notification by the lab. The three repeat samples must include:

1. The **original site/location** in which the Coliform bacteria was detected,
2. One sample site **upstream** and within five service connections of the original site, and
3. One sample site **downstream** and within five service connections of the original site. Follow sampling procedures below for routine bacteriological sample collection.

Note: Bacterial sample collection requires specific knowledge of sampling techniques and requirements and must be carried out only by qualified personnel.

Repeat samples collected are analyzed for fecal Coliform contamination at the SPU laboratory. Analysis results are typically available within 48 hours.

- Laboratory notification of “satisfactory” repeat samples: Alert Stage stands down
- Laboratory notification of “unsatisfactory” Coliform positive samples: Additional sampling required
- Laboratory notification of “unsatisfactory” Fecal Coliform or E. Coli: Response Protocol 2 activated

Response to breach or intentional contamination

The Water Security Manual identifies response procedures to follow for when an intrusion alarm is received through SCADA, or via other notification, and outlines the steps to follow for initial operator response.

If review of intrusion information indicates that a breach was likely, activate Alert Stage notification, contact law enforcement, and proceed to facility for further investigation.

- **When on site:**
Wait until law enforcement approval to enter area and characterize facility appurtenances to confirm breach.
- **Characterizing facilities:**
 - Look for facility damage or tampering such as booster pumps altered or signs of water flowing from appurtenances.
 - Look for evidence of control system tampering.
 - Look for obvious signs of forced entry exposing water system to vulnerability such as open hatches, missing port caps, anything unusual connected to water system.
 - Look for hoses, pumps, containers, backpacks, missing equipment, or signs of vehicles very near facility
 - Review WQ data if available and look for unusual changes in pH, Cl₂, or Temp.
 - Never disturb anything that may appear to be evidence.
- **What is a confirmed breach?**
A hatch found open, control systems tampered to create very low or negative pressures anywhere in the system, a fire hydrant or meter setter with equipment connected to it (such as hoses and barrels), noticeable water loss or introduction into the system, or any other evidence suggesting something could have been introduced or connected to the water system.
- **If no breach or water system exposure is identified, the Alert Stage stands down.**
- **If a breach or intentional contamination attempt is confirmed:**
 - Follow Water Security Manual instructions for initiating safe mode of facility (if response is at critical facility).
 - Activate Response Protocol 3.
 - Do not attempt to collect or make contact with the water.
 - Immediately begin assessment of extent and direction of water system contamination.
 - At this stage Bellevue citywide emergency management system performs in an advisory role or initiates a joint command with Homeland Security and EPA Region 10 response teams who have jurisdictional authority over these events.

Response to backflow events

A backflow event via a cross connection is a point at which a contaminated substance comes in contact with potable water. Backflow events are not confined to the public water supply, but also include all sources of potable water within buildings in Utilities service area. An MOU with the Local Administrative Authority (the Building Official) identifies Utilities as lead in the partnership to protect citizens from backflow at all points of connection.

- **Characterizing a potential backflow event**
Customer complaints, localized reports of illness, changes in water quality –such as unusual odor, color, taste, or water quality parameters, transient or significant pressure changes –are all possible indicators of a backflow event.
Backflow events are difficult to identify and may not be detected for many reasons, however, they may result in the spread of contamination throughout the water system.
Because of the potential for public health exposure and the regulatory requirements for reporting suspected backflow events, Alert Stage notification is required during investigation of a suspected backflow event.

- **Confirmation of a backflow event**
 - If no backflow event is identified: Alert Stage stands down
 - Positive confirmation of a backflow event: Response Protocol 2 may be activated depending on severity contamination
 - If backflow event is determined to be *intentional*: Response Protocol 3 is activated

Response to other Acute or non-Acute events

Violations of maximum contaminant levels for primary or secondary drinking water standards are primarily non-acute (other than Nitrates), often system-wide (including the regional system as a treatment technique violation), and do not pose an immediate threat to life and safety. They do, however, require timely investigation, public notification and require Alert Stage notification. Examples include: Violations of Lead and Copper rule, non-acute Coliform violations, turbidity, etc.

When a non-acute violation is confirmed: Response Protocol 1 activated

It is designed to provide adequate response to the violation in order to notify elected officials, staff and citizens and meet regulatory requirements. Because violations of this sort are often misunderstood and emotionally responded to by citizens, activating a limited Incident Command to plan a response is important. Typically, Responses include billing inserts or direct mailers, and in some cases, may involve extensive water distribution system flushing.

VII. Recovery

The primary goal during recovery is to ensure that efforts are made to determine what happened and how. Additional efforts must also be made to determine why the event took place and how it could have been prevented. Critique of the City’s response is required to ensure that the event can be avoided in the future, or that the response to an event of the same nature can be performed more efficiently in the future.

Recovery Roles and Responsibilities	
Who	What
All Employees Involved	<ul style="list-style-type: none"> • Submit documentation of events for review by the Command Structure to determine if the emergency or violation was avoidable, and if the response efforts were appropriate and effective.
Command Structure	<ul style="list-style-type: none"> • Review circumstances causing the violation or emergency and determine if and/or how it could be prevented in the future • Plan and implement any corrective measures as necessary • Review the performance of the emergency response in correcting the violation and/or emergency, and update the Plan as necessary
Drinking Water Quality – Senior Engineering Technician	<ul style="list-style-type: none"> • Review information and documentation to confirm information collected is reported adequately for Command Structure and Department review • Prepare debriefing and response update reports for Supervisor to review
Water Quality Supervisor	<ul style="list-style-type: none"> • Review debriefing and response update reports for accuracy and efficiency. Develop and report state and federally mandated follow up review and action reports as necessary

VIII. Preparedness

The objective of preparedness is to identify and maintain policies, procedures, technologies, facilities, equipment, and supplies which optimize emergency response.

Emergency Preparedness Roles and Responsibilities		
Who	What	When
Water Quality Supervisor	<ul style="list-style-type: none"> - Update staff and key personnel of changes made to Drinking Water Quality Response Plans, or changes in the way the City will respond to a drinking water quality emergency - Incident Command training 	Ongoing Efforts
Drinking Water Quality - Senior Engineering Technicians (SET)	<ul style="list-style-type: none"> - Review and revise Drinking Water Quality Emergency Response Plan as information, staffing, and technologies change - Remain available for emergency call out - Keep up to date an current and future regulatory requirements - Maintain list of current regulatory contacts 	
Water Maintenance - Lead Workers	Remain current on any training, information, or response requirements in the event of a water quality emergency	
Water Operations – SET and Technical Specialists (TS)	<ul style="list-style-type: none"> - Maintain drinking water quality remote monitoring equipment to allow for early detection of water quality issues at critical suites throughout the system and to allow accurate WQ monitoring during an event - Remain current on any training, information, or response requirements in the event of a water quality emergency 	
Engineering	Ensure storage and distribution systems are constructed and upgraded to levels that will allow it to remain operation in the event of an emergency situation by providing efforts such as hydraulic system modeling, critical site inspections, and infrastructure replacement schedules.	
Parks	<ul style="list-style-type: none"> - Maintain training of selected staff of their roles during a DWQ emergency event - Maintain training with Utilities to ensure key personnel understand what will be required form them for emergency response. 	
Fleet	Inspect DWQ and BLIVET transportation vehicles, as well as mobile pipeline trailers to ensure proper operation during a DWQ emergency event.	

IX. References

Acute and Non-Acute MCLs for Coliform Bacteria

WAC 246-290-310 - Maximum Contaminant Levels (MCLs) (excerpt):

- (2) Bacteriological.
- (a) MCLs under this subsection shall be considered primary standards.
 - (b) If Coliform presence is detected in any sample, the purveyor shall take follow-up action under WAC [246-290-320](#)(2).
 - (c) Acute MCL. An **acute MCL for Coliform bacteria occurs when** there is:
 - (i) Fecal Coliform presence in a repeat sample;
 - (ii) *E. coli* presence in a repeat sample; or
 - (iii) Coliform presence in any repeat samples collected as a follow-up to a sample with fecal Coliform or *E. coli* presence.

Note: For the purposes of the public notification requirements in Part 7, Subpart A of this chapter, an acute MCL is a violation that requires Tier 1 public notification.

- (d) Nonacute MCL. A **nonacute MCL for Coliform bacteria occurs when:**
 - (i) Systems taking less than forty routine samples during the month have more than one sample with Coliform presence; or
 - (ii) Systems taking forty or more routine samples during the month have more than 5.0 percent with Coliform presence. (This one applies to the City of Bellevue!)
- (e) MCL compliance. The purveyor shall determine compliance with the Coliform MCL for each month the system provides drinking water to the public. In determining MCL compliance, the purveyor shall:
 - (i) Include:
 - (A) Routine samples; and
 - (B) Repeat samples.
 - (ii) Not include:
 - (A) Samples invalidated under WAC [246-290-320](#) (2)(d); and
 - (B) Special purpose samples.

Primary Resources and Web Links

- Washington State Department of Health Website:
<http://www.doh.wa.gov/ehp/dw/default.htm>
- City of Bellevue Utilities Emergency Management Plan (also known as the Red Book):
<http://cobnetsps/Departments/Utilities/Teams%20and%20Special%20Projects/Strategic%20Plan%20Teams/Emergency%20Management%20Program0/Pages/default.aspx?sdupgwelr edir=1&bucketwebredir=1>
- City of Bellevue Water Security Plan (confidential document with limited distribution)
- City of Bellevue Standard Operating Procedures (SOPs):
<http://cobnetsps/Departments/Utilities/SOPs/Standard%20Operating%20Procedures/Forms/AllItems.aspx>

Emergency Contact Information:

<ul style="list-style-type: none"> • DOH Office of Drinking Water 1-877-481-4901 • FBI Hotline (Seattle Office) 1-206-622-0460 • State Emergency Management Duty Officer 1-800-258-5990 • National Response Center 1-800-424-8802 • City of Bellevue - Utilities 1-425-452-7840 	<ul style="list-style-type: none"> • Department of Ecology Spill Response 1-360-407-6300 • EPA Region 10 Duty Officer 1-206-553-1264 • National Guard Joint Operations Center 1-253-512-8773 • Dept. of Homeland Security National Operations Center 1-202-282-9685 • King County Public Health Department 1-206-296-4900
---	---

Laboratories

Laboratory	City	County	Address	Contact Phone
AmTest Laboratories	Kirkland	King	13600 NE 126th Place, Suite C	(425) 885-1664
Analytical Resources, Inc	Tukwila	King	4611 South 134th Place, Suite 100	(206) 695-6205
Aquatic Research, Inc.	Seattle	King	3927 Aurora Ave N	(206) 632-2715
DOH Public Health Lab	Shoreline	King	1610 NE 150th Street	(206) 418-5520
NVL Laboratories, Inc.	Seattle	King	4708 Aurora Ave. N.	(206) 547-0100
OnSite Environmental, Inc.	Redmond	King	14648 NE 95th Street	(425) 883-3881
TestAmerica Seattle	Bothell	King	11720 North Creek Parkway N., Ste. 400	(425) 420-9200

DOH Website Links

- Group A Public Water Supplies Information:
<http://www.doh.wa.gov/ehp/dw/Publications/331-010.pdf>
 - **WAC 246-290-310** - Maximum contaminant levels (MCLs) and maximum residual disinfectant levels (MRDLs) (Page 89)
 - **WAC 246-290-320** - Follow-up action (Page 94)
- Do Not Drink Posters:
http://www.doh.wa.gov/ehp/dw/Publications/nitrate_posters.htm
- Emergency Response Information
<http://www.doh.wa.gov/ehp/dw/Publications/331-400-pack.htm>
- Backflow Events
http://www.doh.wa.gov/ehp/dw/Programs/cross_connection.htm#forms
- Department of Health Emergency Hotline
<http://www.doh.wa.gov/ehp/dw/Publications/331-133.pdf>
- DOH’s Coliform Public Health Advisory Red Book
<http://www.doh.wa.gov/ehp/dw/Coliform/coliform.htm>
- DOH’s Coliform Bacteria and Drinking Water
<http://www.doh.wa.gov/ehp/dw/Programs/coliform.htm>

- DOH's Lead and Copper Monitoring and Violation Information

<http://www.doh.wa.gov/ehp/dw/Publications/331-111.pdf>

331-163 - Coliform Major Monitoring Violation Public Notice ([Word](#)) ([PDF](#))

[331-248](#) - Public Notice Certification Form Nitrate MCL Violation (PDF)

331-263 - Coliform Maximum Contaminant Level Exceeded: Non-Acute MCL ([Word](#)) ([PDF](#))

331-264 - Public Notice Certification Acute Coliform MCL ([Word](#)) ([PDF](#))

[331-347](#) - Lead and Copper Monitoring Violation - English and Spanish (Word)

[331-354](#) - Lead and Copper Initial Monitoring Violation (PDF)

331-357 - Notice to Water System Users: Annual Nitrate Monitoring Violation ([Word](#)) ([PDF](#))

331-360 - Disinfection Byproducts Monitoring Violation ([Word](#)) ([PDF](#))

331-360 Spanish - Disinfection Byproducts Monitoring Violation ([Word](#)) ([PDF](#))

331-394 - Monthly Bromate Monitoring Violation ([Word](#)) ([PDF](#))

331-395 - Quarterly Total Trihalomethane (TTHM)/Haloacetic Acids (HAA5) Monitoring Violation ([Word](#)) ([PDF](#))

331-412 - Quarterly Nitrate Monitoring Violation Form ([Word](#)) ([PDF](#))

331-416 - Notice to Water System Users: Reliably and Consistently Under the Maximum Contaminant Level - Annual Nitrate Monitoring Violation Form ([Word](#)) ([PDF](#))

[331-319](#) - Coliform Bacteria Analysis (*Chain of Custody*) Form Templates

[E. coli - Fecal Coliform Community Drinking Water Warning notice \(Word\)](#)

[E. coli - Fecal Coliform Community Drinking Water Warning notice \(PDF\)](#)

Other Web Links

- Public Notification for Chronic Contaminants

http://www.epa.gov/safewater/contaminants/pdfs/fs_contaminants_chronic_talkingtocustomers.pdf

- King County Public Health Emergency Preparedness

<http://kingcounty.gov/healthservices/health/preparedness.aspx>

BACKFLOW PREVENTION ASSEMBLY TEST REPORT



CITY OF BELLEVUE
 Water Quality
 Box 90012 Bellevue, WA 98009
 (425) 452-7840

EMAILTO: Backflow@Bellevuewa.gov
 FAX (425) 452-7116

NOTE: all new backflow assemblies installed must be tested prior to plumbing final, test reports must be made available to the plumbing inspector at final.

ACCOUNT # _____

NAME OF PREMISE _____ Commercial Residential

SERVICE ADDRESS _____ CITY _____ ZIP _____

CONTACT PERSON _____ PHONE () _____ FAX () _____

LOCATION OF ASSEMBLY _____

DOWNSTREAM PROCESS _____ DCVA RPBA PVBA OTHER _____

NEW INSTALL EXISTING REPLACEMENT OLD SER. # _____ PROPER INSTALLATION? YES NO

MAKE OF ASSEMBLY _____ MODEL _____ SERIAL NO. _____ SIZE _____

INITIAL TEST	DCVA / RPBA CHECK VALVE NO.1	DCVA / RPBA CHECK VALVE NO.2	RPBA	PVBA/SVBA AIR INLET																																													
PASSED <input type="checkbox"/> FAILED <input type="checkbox"/>	LEAKED <input type="checkbox"/> _____ PSID	LEAKED <input type="checkbox"/> _____ PSID	OPENED AT _____ PSID #1 CHECK _____ PSID AIR GAP OK? _____	OPENED AT _____ PSID DID NOT OPEN <input type="checkbox"/> CONTINUED TO FULLY OPEN? Y N																																													
NEW PARTS AND REPAIRS	<table style="width: 100%; border: none;"> <tr> <td style="text-align: center;">CLEAN</td> <td style="text-align: center;">REPLACE</td> <td style="text-align: center;">PART</td> </tr> <tr> <td style="text-align: center;"><input type="checkbox"/></td> <td style="text-align: center;"><input type="checkbox"/></td> <td style="text-align: center;">_____</td> </tr> <tr> <td style="text-align: center;"><input type="checkbox"/></td> <td style="text-align: center;"><input type="checkbox"/></td> <td style="text-align: center;">_____</td> </tr> <tr> <td style="text-align: center;"><input type="checkbox"/></td> <td style="text-align: center;"><input type="checkbox"/></td> <td style="text-align: center;">_____</td> </tr> <tr> <td style="text-align: center;"><input type="checkbox"/></td> <td style="text-align: center;"><input type="checkbox"/></td> <td style="text-align: center;">_____</td> </tr> </table>	CLEAN	REPLACE	PART	<input type="checkbox"/>	<input type="checkbox"/>	_____	<input type="checkbox"/>	<input type="checkbox"/>	_____	<input type="checkbox"/>	<input type="checkbox"/>	_____	<input type="checkbox"/>	<input type="checkbox"/>	_____	<table style="width: 100%; border: none;"> <tr> <td style="text-align: center;">CLEAN</td> <td style="text-align: center;">REPLACE</td> <td style="text-align: center;">PART</td> </tr> <tr> <td style="text-align: center;"><input type="checkbox"/></td> <td style="text-align: center;"><input type="checkbox"/></td> <td style="text-align: center;">_____</td> </tr> <tr> <td style="text-align: center;"><input type="checkbox"/></td> <td style="text-align: center;"><input type="checkbox"/></td> <td style="text-align: center;">_____</td> </tr> <tr> <td style="text-align: center;"><input type="checkbox"/></td> <td style="text-align: center;"><input type="checkbox"/></td> <td style="text-align: center;">_____</td> </tr> <tr> <td style="text-align: center;"><input type="checkbox"/></td> <td style="text-align: center;"><input type="checkbox"/></td> <td style="text-align: center;">_____</td> </tr> </table>	CLEAN	REPLACE	PART	<input type="checkbox"/>	<input type="checkbox"/>	_____	<input type="checkbox"/>	<input type="checkbox"/>	_____	<input type="checkbox"/>	<input type="checkbox"/>	_____	<input type="checkbox"/>	<input type="checkbox"/>	_____	<table style="width: 100%; border: none;"> <tr> <td style="text-align: center;">CLEAN</td> <td style="text-align: center;">REPLACE</td> <td style="text-align: center;">PART</td> </tr> <tr> <td style="text-align: center;"><input type="checkbox"/></td> <td style="text-align: center;"><input type="checkbox"/></td> <td style="text-align: center;">_____</td> </tr> <tr> <td style="text-align: center;"><input type="checkbox"/></td> <td style="text-align: center;"><input type="checkbox"/></td> <td style="text-align: center;">_____</td> </tr> <tr> <td style="text-align: center;"><input type="checkbox"/></td> <td style="text-align: center;"><input type="checkbox"/></td> <td style="text-align: center;">_____</td> </tr> <tr> <td style="text-align: center;"><input type="checkbox"/></td> <td style="text-align: center;"><input type="checkbox"/></td> <td style="text-align: center;">_____</td> </tr> </table>	CLEAN	REPLACE	PART	<input type="checkbox"/>	<input type="checkbox"/>	_____	<input type="checkbox"/>	<input type="checkbox"/>	_____	<input type="checkbox"/>	<input type="checkbox"/>	_____	<input type="checkbox"/>	<input type="checkbox"/>	_____	CHECK VALVE HELD AT _____ PSID LEAKED <input type="checkbox"/> _____ CLEANED <input type="checkbox"/> REPAIRED <input type="checkbox"/>
CLEAN	REPLACE	PART																																															
<input type="checkbox"/>	<input type="checkbox"/>	_____																																															
<input type="checkbox"/>	<input type="checkbox"/>	_____																																															
<input type="checkbox"/>	<input type="checkbox"/>	_____																																															
<input type="checkbox"/>	<input type="checkbox"/>	_____																																															
CLEAN	REPLACE	PART																																															
<input type="checkbox"/>	<input type="checkbox"/>	_____																																															
<input type="checkbox"/>	<input type="checkbox"/>	_____																																															
<input type="checkbox"/>	<input type="checkbox"/>	_____																																															
<input type="checkbox"/>	<input type="checkbox"/>	_____																																															
CLEAN	REPLACE	PART																																															
<input type="checkbox"/>	<input type="checkbox"/>	_____																																															
<input type="checkbox"/>	<input type="checkbox"/>	_____																																															
<input type="checkbox"/>	<input type="checkbox"/>	_____																																															
<input type="checkbox"/>	<input type="checkbox"/>	_____																																															
TEST AFTER REPAIRS PASSED <input type="checkbox"/> FAILED <input type="checkbox"/>	LEAKED <input type="checkbox"/> _____ PSID	LEAKED <input type="checkbox"/> _____ PSID	OPENED AT _____ PSID #1 CHECK _____ PSID	AIR INLET _____ PSID CHK VALVE _____ PSID																																													

Air Gap Inspection: Supply Pipe Diameter: _____" Separation: _____" PASS FAIL

REMARKS: _____ LINE PRESSURE _____ PSI

COMPANY NAME: _____ WSDOH APPROVED ASSEMBLY? YES NO

TESTERS SIGNATURE: _____ CERT. NO. _____ DATE _____

TESTERS NAME PRINTED: _____ TESTERS PHONE # () _____

REPAIRED BY: _____ DATE _____

FINAL TEST BY: _____ CERT. NO. _____ DATE _____

CALIBRATION DATE __ / __ / __ GAUGE # _____ MODEL _____ SERVICE RESTORED? YES NO

I certify that this report is accurate, and I have used WAC 246-290-490 approved test methods and test equipment.

Foundation for Cross-Connection Control and Hydraulic Research

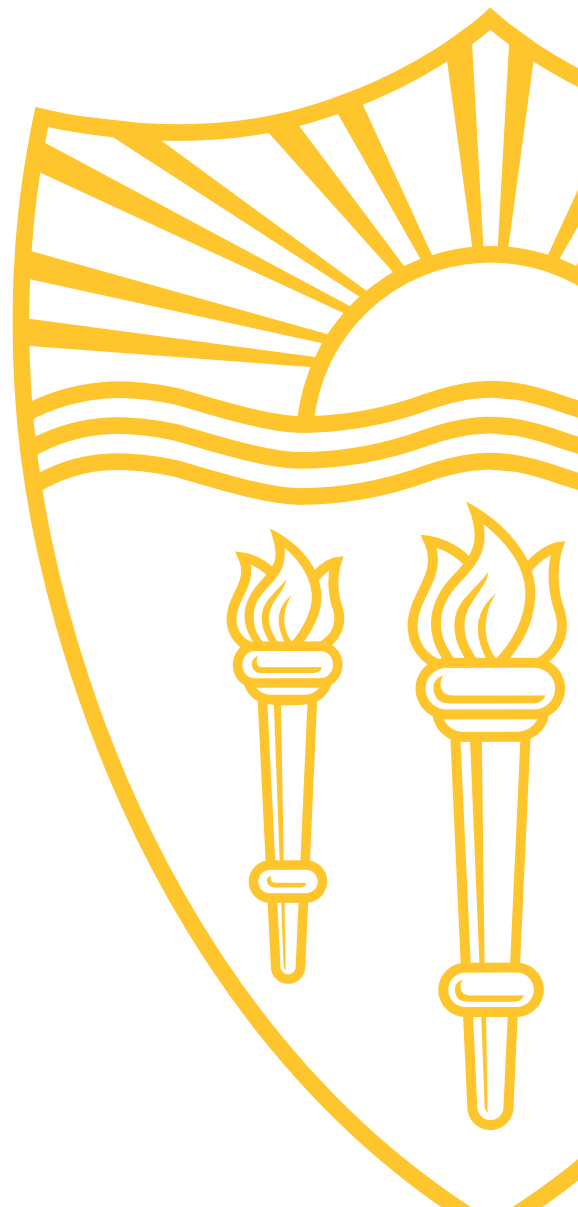
2015

List of Approved Backflow Prevention Assemblies

The List is dated October 12, 2015. Additions to the List after October 12, 2015 may be found on the USC Foundation's website: fccchr.usc.edu



USC University of
Southern California



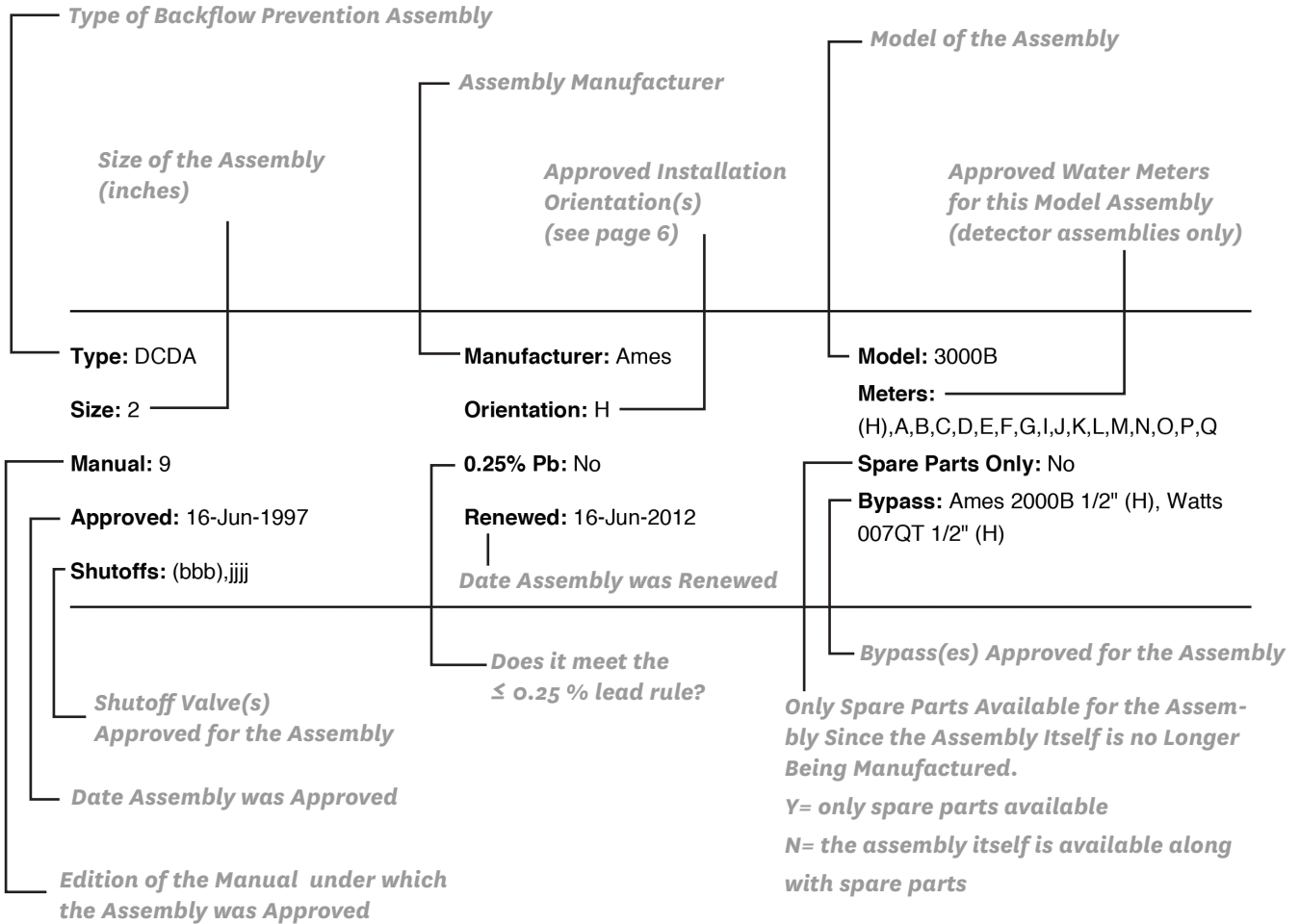
**The List of Approved Backflow Preventions Assemblies
is published by the Foundation for Cross-Connection Control and Hydraulic Research
a Division of the University of Southern California**

**2015 © University of Southern California
All Rights Reserved**

Table of Contents

Legend	4
Notices	5
Orientation of Assemblies	6
Shutoff Valve Designation	7
Detector Assembly Meters	11
Special Notices	12
AVB	13
DC	14
DCDA	211
DCDA-II	344
PVB	347
RP	363
RPDA	558
RPDA-II	604
SVB	607
Manufacturers of Approved Backflow Prevention Assemblies	610

Legend



Notices

NOTICE REGARDING RENEWALS:

The original Certificate of Approval—identified by the Edition of the Manual and the Approved date shown in this list—is valid as of the date of this list, only if the original or renewal date shown hereon is within three (3) years of the date of this list. The responsibility to request a renewal of an Approval is that of each manufacturer. The USC Foundation retains the right of determining the extent of re-evaluation required before renewal is granted. Certificates of Approval are not recalled for the purpose of updating the effective date. This revision of date is only published via the current *List of Approved Backflow Prevention Assemblies*.

NOTICE REGARDING INSTALLATION:

Unless otherwise specified by the manufacturer all assemblies are to be installed on cold potable water applications - below 110°F. Also all of the assemblies listed are Approved for the **INDICATED ORIENTATION(S) ONLY** (Please see the legend page 6). Rotation of assemblies on either axis will invalidate the USC Foundation's Approval. Use of spare parts other than those of the original manufacturer invalidates the Approval. Rotation of shutoff valves of one bolt hole only is permitted only for the 2 1/2" and larger flanged assemblies.

NOTICE REGARDING LEAD CONTENT:

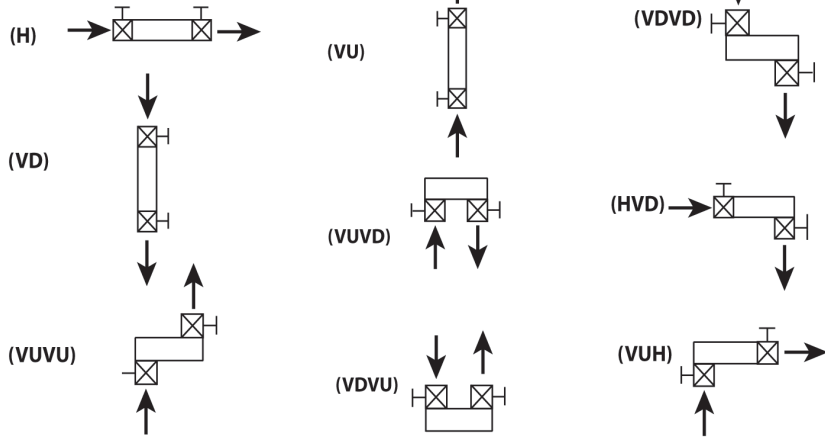
In order to determine if backflow preventers comply with lead-free requirements of several states and the Safe Drinking Water Act, USC Foundation Approved assemblies which comply with the $\leq 0.25\%$ lead requirement are indicated by a Y in the column $\leq 0.25\%Pb$.

NOTICE REGARDING LIST UPDATES

The List of Approved Assemblies is printed annually in the first quarter of the year. Update notices are printed and sent to USC Foundation Members quarterly. The most recent changes to the List may be found on the USC Foundation's website. The web version of the List is updated each time a change is made.

Orientation of Assemblies

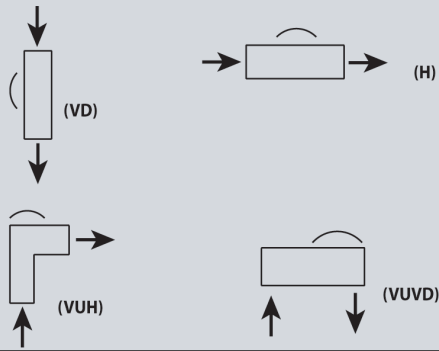
DC, DCDA, RP, RPDA



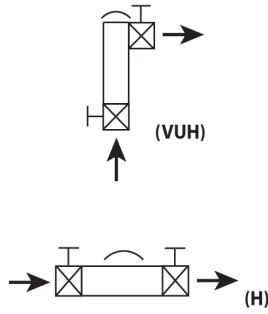
Key (H) Horizontal (D) Down
(V) Vertical (U) Up



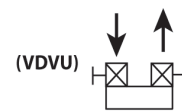
AVB



PVB/SVB



Sample



Inlet- Vertical flowing down
Outlet- Vertical flowing up

Shutoff Valve Designation

The backflow prevention assemblies shown on this list have been evaluated with a specific set of shutoff valves as an integral part of the assembly. The specific shutoff valves are coded by a parenthetic code show with each assembly. This coding of shutoff valves is defined below. Other shutoff valves having similar performance characteristics which permit the assembly to comply with the standards are also shown immediately after the original shutoff valves. The use of any shutoff valve on a specific assembly, other than those listed for that specific assembly invalidates the Approval. Assemblies listed with a Y in the “spare parts only” column may not include the shutoff valve designation.

(aa)	American Figure 1-QT
(bb)	American Figure 17-NRS RW
(cc)	American Figure 37OOSY RW
(dd)	Apollo Series 7B-QT
(ee)	AVK Series 25-NRS
(ff)	AVK Series 25-OSY (Nibco F607RW OSY)
(gg)	Clow R/W Model 2640 (FxF) - NRS
	(formerly Clow R/W F6102-NRS)
(hh)	Clow R/W Model 2640 (FxF) - OSY
	(formerly Clow R/W F6136-OSY)
(ii)	Fortune Series 620/623 (C84400 Bronze) (Formerly Figure 601)
	Private labeled as: Ames, Buckner, Febco, Flomatic, Hersey and Wilkins
(jj)	Kennedy Ken Seal I-NRS
(kk)	Kennedy Ken Seal-OSY
(ll)	Kennedy Model KS-FW Figure 8561 (FxF) - NRS (2 1/2” - 10”)
	Kennedy Model KS-RW Figure 7561 (FxF) - NRS (4” - 10”)
	(formerly Kennedy Ken Seal II-NRS)
(mm)	Kennedy Model KS-FW Figure 8068 (FxF) - OSY (2 1/2” - 10”)
	Kennedy Model KS-RW Figure 7068 (FxF) - OSY (4” - 10”)
	(formerly Kennedy Ken Seal II-OSY)
(nn)	Lee Brass-QT
(oo)	Watts 405-RW
(pp)	Watts 408-OSY
(qq)	Mueller R/W HP NRS
(rr)	Mueller R/W HP OSY
(ss)	Toro.Orion Integral Ball Valve-QT
(tt)	American Flow Control (Waterous) Series 500-NRS
(uu)	American Flow Control (Waterous Series 500-OSY)
(vv)	Watts Figure FBV (FBV-E)-QT [Ames Figure FBV (FBV-E)-QT]
(ww)	Watts G4000FDA-QT
(xx)	Watts Series 6080 (& 6080-E)-QT
(yy)	Matco-Norca 10RW (NRS)
(zz)	Matco-Norca 105U (OSY)
(aaa)	American Flow Control Series 2500-NRS
(bbb)	American Flow Control Series 2500-OSY
(ccc)	M&H Model 4067-02 (NRS)
(ddd)	M&H Model 4068-02(OSY)
(eee)	Stockham Model G-610 (OSY)

Shutoff Valve Designation

The backflow prevention assemblies shown on this list have been evaluated with a specific set of shutoff valves as an integral part of the assembly. The specific shutoff valves are coded by a parenthetical code show with each assembly. This coding of shutoff valves is defined below. Other shutoff valves having similar performance characteristics which permit the assembly to comply with the standards are also shown immediately after the original shutoff valves. The use of any shutoff valve on a specific assembly, other than those listed for that specific assembly invalidates the Approval. Assemblies listed with a Y in the “spare parts only” column may not include the shutoff valve designation.

(fff)	Febco Series 620 QT
(ggg)	Fortune Figure 620U-QT
(hhh)	Watts Model 5-FBV & 5-FBV-E (1/4" - 1" Ball Valve QT)
(iii)	Mueller Model A2360-NRS
(int)	Shutoff Valve is integral part of assembly
(jjj)	Febco Series 621-QT
(kkk)	Febco Series 620U-QT
(lll)	Mueller Model R2360-OSY
(mmm)	Conbraco Series IBVE-125-QT
(nnn)	Kennedy Model KS-FW Figure 8701 (FxF) - NRS (3" - 10") Post Indicator/Tapping
	Kennedy Model KS-RW Figure 7701 (FxF) - NRS (4" - 10") Post Indicator/Tapping
	(formerly Kennedy Ken Seal II Post Indicator/Tapping)
(ooo)	Ningbo Ball Valves (Febco 622F & 622FT, Watts Series 855-QT & Wilkins Series 850-QT)(1/4" - 2" Ball Valve QT)
(ppp)	Clow R/W Model 2639 (GxF) - NRS (2 1/2" - 3")
	Clow R/W Model 2638 (GxF) - NRS (4" - 10")
(qqq)	Clow R/W Model 2639 (GxF) - OSY (2 1/2" - 3")
	Clow R/W Model 2638 (GxF) - OSY (4" - 10")
	(formerly Clow Series F6138-OSY)
(rrr)	Apollo Series 7B-308-01 (& 7B-308-31)
(sss)	Clow R/W Model 2639 (GxG) - NRS (2 1/2" - 3")
	Clow R/W Model 2638 (GxFG) - NRS (4" - 10")
	(formerly Clow Series F6104-NRS)
(ttt)	Clow R/W Model 2639 (GxG) - OSY (2 1/2" - 3")
	Clow R/W Model 2638 (GxFG) - OSY (4" - 10")
	(formerly Clow Series F6137-OSY)
(uuu)	Apollo Series 7H-QT
(vvv)	Clow R/W Model 2640 (FxF) - OSY Post Indicator/Tapping Valve
	(formerly Clow R/W F6136-OSY Post Indicator/Tapping Valve)
(www)	Clow R/W Model 2639 (GxF) - OSY (2 1/2" - 3") Post Indicator/Tapping Valve
	Clow R/W Model 2640 (GxF) - OSY (4" - 10") Post Indicator/Tapping Valve
	(formerly Clow R/W F6138-OSY Post Indicator/Tapping Valve)
(xxx)	Ningbo Union Ball Valves (Febco 622UF & 622UFT & Wilkins 850U-QT)(1/2" - 2" Ball Valve QT)
(yyy)	Victaulic Series 702 (Butterfly valves)
(zzz)	Kennedy Model KS-RW Figure 7092ABF (FxG) - OSY
	(formerly Kennedy Series 7092ABF-OSY)
(aaaa)	Union Model GV12 (flange by groove)-OSY
(bbbb)	Enbee Model GV12 (flange by groove)-OSY
(cccc)	Kennedy Model KS-RW Figure 7092 (FxG) - OSY
	(formerly Kennedy Series 7092 (GxF) - OSY)

Shutoff Valve Designation

The backflow prevention assemblies shown on this list have been evaluated with a specific set of shutoff valves as an integral part of the assembly. The specific shutoff valves are coded by a parenthetical code show with each assembly. This coding of shutoff valves is defined below. Other shutoff valves having similar performance characteristics which permit the assembly to comply with the standards are also shown immediately after the original shutoff valves. The use of any shutoff valve on a specific assembly, other than those listed for that specific assembly invalidates the Approval. Assemblies listed with a Y in the “spare parts only” column may not include the shutoff valve designation.

(dddd)	Kennedy Model KS-RW Figure 7592 (FxG) - NRS (formerly Kennedy Series 7592ABF - NRS)
(eeee)	Kennedy Model KS-RW Figure 7592PABF (FxG) - NRS Post Indicator/Tapping Valve (formerly Kennedy Series 7592PABF-Post Indicator/Tapping Valve)
(ffff)	Watts 409RW (FxG)- OSY
(ggggg)	Watts 409RW (FxG)- OSY
(hhhh)	Watts Figure LF-FBV-QT (1/2”-2”)
(iiii)	Wilkins Series 85oXL (85oTXL) - QT
(jjjj)	Watts 409 RW 2” - OSY
(kkkk)	Kennedy Model KS-RW Figure 7093 (GxG) - OSY
(llll)	Kennedy Model KS-RW Figure 7593 (GxG) - NRS
(mmmm)	Kennedy Model KS-RW Figure 7093ABF (GxG) - OSY
(nnnn)	Kennedy Model KS-RW Figure 7593ABF (GxG) - NRS
(oooo)	Kennedy Model KS-RW Figure 7593PABF (GxG) - NRS Post Indicator
(pppp)	Watts Figure L-FBV-QT, Ames Figure L-FBV-QT, FEBCO Figure L-FBV-QT
(qqqq)	Kennedy Figure G300E - Butterfly Valve (4”,6”)
(rrrr)	Kennedy Figure 02G - Butterfly Valve (8”)
(ssss)	Wilkins Model 48 (GXF) - NRS (2-1/2” - 12”)
(tttt)	Wilkins Model 48 (FXF) - NRS (2-1/2” - 12”)
(uuuu)	Wilkins Model 48 (GXG) - NRS (2-1/2” - 12”) Post Indicator/Tapping Valve
(vvvv)	Wilkins Model 48 (GXF) - NRS (2-1/2” - 12”) Post Indicator/Tapping Valve
(wwww)	Wilkins Model 48 (FXF) - NRS (2-1/2” - 12”) Post Indicator/Tapping Valve
(xxxx)	Wilkins Model 48 (GXG) - OSY (2-1/2” - 12”)
(yyyy)	Wilkins Model 48 (GXF) - OSY (2-1/2” - 12”)
(zzzz)	Wilkins Model 48 (FXF) - OSY (2-1/2” - 12”)
(aaaaa)	Wilkins Model 48 (GXG) - NRS (2-1/2” - 12”)
(bbbbb)	Milwaukee BB-SC100 - Butterfly Valve
(ccccc)	Milwaukee BB-SCSo2 - Butterfly Valve (with gearbox)
(ddddd)	Flomatic Model NRS
(eeeee)	Watts Model FBV-FP (FBV-E-FP)-QT
(fffff)	Watts L-FBV-QT (2 1/2” - 4”)
(ggggg)	Wilkins Model 85oMSS
(hhhhh)	Fortune Series 620/623 (c89520 unleaded bronze)
(iiiiii)	Apollo Series 77B-100 and 77C-100 - QT
(jjjjj)	Apollo Series 77BLF-100 and 77CLF-100 - QT
(kkkkk)	Wilkins Model 49 (GXF) - (2 1/2” - 10”)
(lllll)	Wilkins Model 49 (GXG) - (2 1/2” - 10”)
(mmmmm)	Wilkins 85oUXL (85oTUXL) -QT
(nnnnn)	Watts Model 405 (2 1/2” - 10” NRS-RW FxG)

Detector Assembly Meters

The Detector Assemblies contained herein have been evaluated with a specific meter as the detector element of the assembly. That specific meter is coded by a parenthetic letter shown in the “meters” column. The coding of meters is shown in this Section. Other meters having similar performance characteristics to permit the assembly to meet the Standard are shown immediately after the original evaluation meter. The use of any other meter or modified bypass piping invalidates the Approval.

Some of the detector assemblies use a line-size assembly, which is not a standard stock Approved assembly. Increased load are required in these line-size units to allow the assembly to accurately record low flow rates in the bypass meter. Therefore, various ‘off the shelf’ components can not be assembled and expected to perform satisfactorily. The bypass backflow preventer Approved with the detector assembly is listed under the ‘bypass’ column. This is only for verification purposes. Should replacement parts or complete bypass be needed, the model number of the complete detector assembly should be used in ordering these components.

A	Hersey Model F-F 5/8" x 3/4"
B	Carlson 5/8" x 3/4"
C	Dandé Model D-3 5/8" x 3/4"
D	Gamon-Calmet 5/8"
E	Hays Acumeter 5/8" x 3/4"
F	Arad 5/8" x 3/4" (Master Meter)
G	Schlumberger 5/8" x 3/4" Model MBRF
H	Rockwell (Sensus) SR-II 5/8" x 3/4"
I	Hersey Model 430 - 5/8"
J	Elster AMCO Model C700 5/8"x3/4" (Formerly Kent, ABB)
K	Precision 5/8"
L	Neptune Trident 8 5/8"
M	Neptune T-10 5/8" (Lead free compliant version identified with NSF61 mark on meter)
N	Badger Model 25 3/4"
O	Badger 5/8" x 3/4" Model 25 (Lead free compliant version identified with NSF61 mark on meter)
P	Hersey Model 430 Series II 5/8"
Q	Hersey Model MVR-30 3/4"
R	Neptune T-10 1"
S	Neptune T-10 1 1/2"

Special Notices

From time to time the Foundation issues Special Notices when specific information needs to be brought before the Members of the Foundation. A copy of the notices are sent to Foundation Members as they are published.

Notices are summarized as follows.

Notice 96-001

This notice lists Ames assemblies which have been reported with low check valve readings. Corrections to the problem are discussed.

Notice 97-001

This Notice discusses changes in the Wilkins 975 8" and 10" reduced pressure principle assemblies. A change in the retaining cup in the relief valve stem.

Notice 97-002

This notice identifies Ames 2000SS, 3000SS, and 4000SS series assemblies were discovered to have unapproved components.

Notice 97-003

This notice lists assemblies which were NOT Approved by the Foundation, although advertisements may have implied otherwise.

Notice 98-001

This notice advises members of certain action in the Federal Register regarding cross-connection control programs.

Notice 98-002

This notice advises members of Wilkins 950 series and 975 series modifications.

Notice 99-001

This notice lists assemblies which were NOT Approved by the Foundation, although advertisements may have implied otherwise.

Notice 99-002

This notice lists assemblies which were NOT Approved by the Foundation, although advertisements may have implied otherwise.

Notice 99-003

This notice lists assemblies which were NOT Approved by the Foundation, although advertisements may have implied otherwise.

Notice 01-001

Discuss silicon parts in certain Febco relief valves

Notice 01-002/Revised Notice 01-002-R1

This notice discusses some check valves not approved in certain Ames and Watts assemblies

Notice 01-003

This notice lists assemblies which were NOT Approved by the Foundation, although advertisements may have implied otherwise.

Notice 02-001

This notice explains there are some specific Febco assemblies with unapproved check valve retainers.

Notice 03-001

This notice explains there are some improper markings of model designations on some Wilkins assemblies

Notice 03-002

This notice explains there is the possibility of the interference of the check valves on some Ames and Watts assemblies

Notice 04-001

This notice identifies some Febco 825YA assemblies sold with a dimensional variation

Notice 05-001

This Notice identifies some Ames and Watts assemblies sold with unapproved disc material.

Notice 06-001

This notice identifies unapproved guides found in certain Febco assemblies

Notice 06-002

This notice identifies a change in the design of the Flomatic PVBs

Notice 06-003

Notice regarding Cash-Acme Assemblies

Notice 07-001

Out of tolerance springs on Conbraco assemblies

Notice 09-001

Unapproved Third party components are being distributed

Notice 13-001

Modifications to guiding surfaces of the check valves on Wilkins assemblies

Notice 14-001

Clarifies the Approval status of Apollo/Conbraco backflow prevention assemblies

Notice 14-002

Clarifies the method in which the model designation is indicated on the Wilkins 3/4" 950XLD and 975XLD assemblies

Type: AVB Size: 3/4 Manual: 8 Approved: 01-Nov-1991	Manufacturer: Ames Orientation: VUH 0.25% Pb: No Renewed: 01-Nov-2012	Model: A100 Meters: Spare Parts Only: No Bypass:
Type: AVB Size: 1 Manual: 8 Approved: 01-Nov-1991	Manufacturer: Ames Orientation: VUH 0.25% Pb: No Renewed: 01-Nov-2012	Model: A100 Meters: Spare Parts Only: No Bypass:
Type: AVB Size: 1 1/2 Manual: 8 Approved: 27-Sep-1991	Manufacturer: Ames Orientation: VUH 0.25% Pb: No Renewed: 27-Sep-2015	Model: A100 Meters: Spare Parts Only: No Bypass:
Type: AVB Size: 2 Manual: 8 Approved: 21-Aug-1991	Manufacturer: Ames Orientation: VUH 0.25% Pb: No Renewed: 21-Aug-2015	Model: A100 Meters: Spare Parts Only: No Bypass:
Type: AVB Size: 1 1/4 Manual: 8 Approved: 12-Aug-1991	Manufacturer: Watts Orientation: VUH 0.25% Pb: No Renewed: 12-Aug-2015	Model: 288AM3 Meters: Spare Parts Only: No Bypass:
Type: AVB Size: 1 1/2 Manual: 8 Approved: 27-Sep-1991	Manufacturer: Watts Orientation: VUH 0.25% Pb: No Renewed: 27-Sep-2015	Model: 288AM3 Meters: Spare Parts Only: No Bypass:
Type: AVB Size: 2 Manual: 8 Approved: 21-Aug-1991	Manufacturer: Watts Orientation: VUH 0.25% Pb: No Renewed: 21-Aug-2015	Model: 288AM3 Meters: Spare Parts Only: No Bypass:
Type: AVB Size: 2 1/2 Manual: 8 Approved: 10-Sep-1991	Manufacturer: Watts Orientation: VUH 0.25% Pb: No Renewed: 10-Sep-2015	Model: 288AM3 Meters: Spare Parts Only: No Bypass:

Type: AVB	Manufacturer: Watts	Model: 288AM3
Size: 3	Orientation: VUH	Meters:
Manual: 8	0.25% Pb: No	Spare Parts Only: No
Approved: 16-Sep-1991	Renewed: 16-Sep-2015	Bypass:

Type: AVB	Manufacturer: Watts	Model: 288AM5
Size: 3/4	Orientation: VUH	Meters:
Manual: 8	0.25% Pb: No	Spare Parts Only: No
Approved: 01-Nov-1991	Renewed: 01-Nov-2012	Bypass:

Type: AVB	Manufacturer: Watts	Model: 288AM5
Size: 1	Orientation: VUH	Meters:
Manual: 8	0.25% Pb: No	Spare Parts Only: No
Approved: 01-Nov-1991	Renewed: 01-Nov-2012	Bypass:

Type: DC	Manufacturer: Ames	Model: 2000-DC
Size: 10	Orientation: H	Meters:
Manual: 7	0.25% Pb: No	Spare Parts Only: Yes
Approved: 04-Aug-1987	Renewed: 02-Aug-2014	Bypass:
Shutoffs: tt,ee,ff,gg,hh,ll,mm,oo,pp,uu,ccc,ddd,ffff,gggg		
Notes: formerly Model DC		

Type: DC	Manufacturer: Ames	Model: 2000-DCA
Size: 4	Orientation: H	Meters:
Manual: 7	0.25% Pb: No	Spare Parts Only: Yes
Approved: 11-Jan-1988	Renewed: 11-Jan-2015	Bypass:
Shutoffs: tt,ee,ff,gg,hh,ll,mm,oo,pp,uu,ccc,ddd,ffff,gggg		
Notes: formerly Model DCA		

Type: DC	Manufacturer: Ames	Model: 2000-DCA
Size: 6	Orientation: H	Meters:
Manual: 7	0.25% Pb: No	Spare Parts Only: Yes
Approved: 11-Jan-1988	Renewed: 11-Jan-2015	Bypass:
Shutoffs: tt,ee,ff,gg,hh,ll,mm,oo,pp,uu,ccc,ddd,ffff,gggg		
Notes: formerly Model DCA		

Type: DC **Manufacturer:** Ames **Model:** 2000-DCA
Size: 8 **Orientation:** H **Meters:**
Manual: 7 **0.25% Pb:** No **Spare Parts Only:** Yes
Approved: 11-Jan-1988 **Renewed:** 11-Jan-2015 **Bypass:**
Shutoffs: tt,ee,ff,gg,hh,ll,mm,oo,pp,uu,ccc,ddd,ffff,gggg
Notes: formerly Model DCA

Type: DC **Manufacturer:** Ames **Model:** 2000-G-DC
Size: 10 **Orientation:** H **Meters:**
Manual: 7 **0.25% Pb:** No **Spare Parts Only:** Yes
Approved: 04-Aug-1987 **Renewed:** 04-Aug-2014 **Bypass:**
Shutoffs: tt,ee,ff,gg,hh,ll,mm,oo,pp,uu,ccc,ddd,ffff,gggg
Notes: formerly Model DC

Type: DC **Manufacturer:** Ames **Model:** 2000-G-DCA
Size: 4 **Orientation:** H **Meters:**
Manual: 7 **0.25% Pb:** No **Spare Parts Only:** Yes
Approved: 11-Jan-1988 **Renewed:** 11-Jan-2015 **Bypass:**
Shutoffs: tt,ee,ff,gg,hh,ll,mm,oo,pp,uu,ccc,ddd,ffff,gggg
Notes: formerly Model DCA

Type: DC **Manufacturer:** Ames **Model:** 2000-G-DCA
Size: 6 **Orientation:** H **Meters:**
Manual: 7 **0.25% Pb:** No **Spare Parts Only:** Yes
Approved: 11-Jan-1988 **Renewed:** 11-Jan-2015 **Bypass:**
Shutoffs: tt,ee,ff,gg,hh,ll,mm,oo,pp,uu,ccc,ddd,ffff,gggg
Notes: formerly Model DCA

Type: DC **Manufacturer:** Ames **Model:** 2000-G-DCA
Size: 8 **Orientation:** H **Meters:**
Manual: 7 **0.25% Pb:** No **Spare Parts Only:** Yes
Approved: 11-Jan-1988 **Renewed:** 11-Jan-2015 **Bypass:**
Shutoffs: tt,ee,ff,gg,hh,ll,mm,oo,pp,uu,ccc,ddd,ffff,gggg
Notes: formerly Model DCA

Type: DC **Manufacturer:** Ames **Model:** 2000B
Size: 1/2 **Orientation:** H **Meters:**
Manual: 8 **0.25% Pb:** No **Spare Parts Only:** No
Approved: 06-Dec-1983 **Renewed:** 06-Dec-2013 **Bypass:**
Shutoffs: (vv),xx,ooo,hhhh,pppp,rrrrr
Notes: Upgraded to 9th Ed.

Type: DC **Manufacturer:** Ames **Model:** 2000B
Size: 1/2 **Orientation:** H **Meters:**
Manual: 9 **0.25% Pb:** No **Spare Parts Only:** No
Approved: 16-Jun-1997 **Renewed:** 16-Jun-2015 **Bypass:**
Shutoffs: (vv),xx,ooo,hhhh,pppp,rrrrr
Notes: Previous 8th Ed. Approval

Type: DC **Manufacturer:** Ames **Model:** 2000B
Size: 1/2 **Orientation:** VU **Meters:**
Manual: 9 **0.25% Pb:** No **Spare Parts Only:** No
Approved: 16-Jun-1997 **Renewed:** 16-Jun-2015 **Bypass:**
Shutoffs: (vv),xx,ooo,hhhh,pppp,rrrrr

Type: DC **Manufacturer:** Ames **Model:** 2000B
Size: 3/4 **Orientation:** H **Meters:**
Manual: 8 **0.25% Pb:** No **Spare Parts Only:** No
Approved: 05-Apr-1993 **Renewed:** 05-Apr-2014 **Bypass:**
Shutoffs: (vv),xx,ooo,hhhh,pppp,rrrrr

Type: DC **Manufacturer:** Ames **Model:** 2000B
Size: 3/4 **Orientation:** VU **Meters:**
Manual: 8 **0.25% Pb:** No **Spare Parts Only:** No
Approved: 27-Aug-1996 **Renewed:** 27-Aug-2014 **Bypass:**
Shutoffs: (vv),xx,ooo,hhhh,pppp,rrrrr

Type: DC **Manufacturer:** Ames **Model:** 2000B
Size: 1 **Orientation:** H **Meters:**
Manual: 9 **0.25% Pb:** No **Spare Parts Only:** No
Approved: 18-May-1998 **Renewed:** 18-May-2013 **Bypass:**
Shutoffs: (vv),xx,ooo,hhhh,pppp,rrrrr
Notes: Previous 8th Ed. Approval

Type: DC **Manufacturer:** Ames **Model:** 2000B
Size: 1 **Orientation:** H **Meters:**
Manual: 8 **0.25% Pb:** No **Spare Parts Only:** No
Approved: 26-Feb-1991 **Renewed:** 26-Feb-2015 **Bypass:**
Shutoffs: (vv),xx,ooo,hhhh,pppp,rrrrr
Notes: Upgraded to 9th Ed.

Type: DC
Size: 1
Manual: 9
Approved: 18-May-1998
Shutoffs: (vv),xx,ooo,hhhh,pppp,rrrr

Manufacturer: Ames
Orientation: VU
0.25% Pb: No
Renewed: 18-May-2013

Model: 2000B
Meters:
Spare Parts Only: No
Bypass:

Type: DC
Size: 1 1/4
Manual: 8
Approved: 01-Oct-1996
Shutoffs: (vv),xx,ooo,hhhh,pppp,rrrr

Manufacturer: Ames
Orientation: H
0.25% Pb: No
Renewed: 01-Oct-2014

Model: 2000B
Meters:
Spare Parts Only: No
Bypass:

Type: DC
Size: 1 1/4
Manual: 8
Approved: 01-Oct-1996
Shutoffs: (vv),xx,ooo,hhhh,pppp,rrrr

Manufacturer: Ames
Orientation: VU
0.25% Pb: No
Renewed: 01-Oct-2014

Model: 2000B
Meters:
Spare Parts Only: No
Bypass:

Type: DC
Size: 1 1/2
Manual: 8
Approved: 24-May-1994
Shutoffs: (vv),xx,ooo,hhhh,pppp,rrrr

Manufacturer: Ames
Orientation: H
0.25% Pb: No
Renewed: 24-May-2015

Model: 2000B
Meters:
Spare Parts Only: No
Bypass:

Type: DC
Size: 1 1/2
Manual: 8
Approved: 11-Mar-1996
Shutoffs: (vv),xx,ooo,hhhh,pppp,rrrr

Manufacturer: Ames
Orientation: VU
0.25% Pb: No
Renewed: 11-Mar-2014

Model: 2000B
Meters:
Spare Parts Only: No
Bypass:

Type: DC
Size: 2
Manual: 8
Approved: 30-Jun-1992
Shutoffs: (vv),xx,ooo,hhhh,pppp,rrrr

Manufacturer: Ames
Orientation: H
0.25% Pb: No
Renewed: 30-Jun-2013

Model: 2000B
Meters:
Spare Parts Only: No
Bypass:

Type: DC
Size: 2
Manual: 8
Approved: 08-Mar-1996
Shutoffs: (vv),xx,ooo,hhhh,pppp,rrrr

Manufacturer: Ames
Orientation: VU
0.25% Pb: No
Renewed: 08-Mar-2014

Model: 2000B
Meters:
Spare Parts Only: No
Bypass:

Type: DC	Manufacturer: Ames	Model: 2000B-FP
Size: 3/4	Orientation: H	Meters:
Manual: 9	0.25% Pb: No	Spare Parts Only: No
Approved: 01-Sep-2009	Renewed: 01-Sep-2015	Bypass:
Shutoffs: (eeeeee)		

Type: DC	Manufacturer: Ames	Model: 2000B-FP
Size: 1	Orientation: H	Meters:
Manual: 9	0.25% Pb: No	Spare Parts Only: No
Approved: 01-Sep-2009	Renewed: 01-Sep-2015	Bypass:
Shutoffs: (eeeeee)		

Type: DC	Manufacturer: Ames	Model: 2000B-FP
Size: 1 1/4	Orientation: H	Meters:
Manual: 9	0.25% Pb: No	Spare Parts Only: No
Approved: 01-Sep-2009	Renewed: 01-Sep-2015	Bypass:
Shutoffs: (eeeeee)		

Type: DC	Manufacturer: Ames	Model: 2000B-FP
Size: 1 1/2	Orientation: H	Meters:
Manual: 9	0.25% Pb: No	Spare Parts Only: No
Approved: 01-Sep-2009	Renewed: 01-Sep-2015	Bypass:
Shutoffs: (eeeeee)		

Type: DC	Manufacturer: Ames	Model: 2000B-FP
Size: 2	Orientation: H	Meters:
Manual: 9	0.25% Pb: No	Spare Parts Only: No
Approved: 01-Sep-2009	Renewed: 01-Sep-2015	Bypass:
Shutoffs: (eeeeee)		

Type: DC	Manufacturer: Ames	Model: 2000BM3
Size: 3/4	Orientation: H	Meters:
Manual: 9	0.25% Pb: No	Spare Parts Only: No
Approved: 27-Mar-2000	Renewed: 27-Mar-2015	Bypass:
Shutoffs: (vv),xx,ooo,hhhh,pppp,rrrr		

Type: DC	Manufacturer: Ames	Model: 2000BM3
Size: 3/4	Orientation: VU	Meters:
Manual: 9	0.25% Pb: No	Spare Parts Only: No
Approved: 27-Mar-2000	Renewed: 27-Mar-2015	Bypass:
Shutoffs: (vv),xx,ooo,hhhh,pppp,rrrr		

Type: DC
Size: 3/4
Manual: 9
Approved: 01-Sep-2009
Shutoffs: (eeeee)

Manufacturer: Ames
Orientation: H
0.25% Pb: No
Renewed: 01-Sep-2015

Model: 2000BM3-FP
Meters:
Spare Parts Only: No
Bypass:

Type: DC
Size: 4
Manual: 6
Approved: 15-Jan-1982
Shutoffs: (oo),gg,hh,ll,mm,pp,tt,uu,eee

Manufacturer: Ames
Orientation: H
0.25% Pb: No
Renewed: 15-Jan-2015

Model: 2000CIV
Meters:
Spare Parts Only: No
Bypass:

Type: DC
Size: 4
Manual: 8
Approved: 11-Mar-1996
Shutoffs: (oo),gg,hh,ll,mm,pp,tt,uu,eee

Manufacturer: Ames
Orientation: VU
0.25% Pb: No
Renewed: 11-Mar-2014

Model: 2000CIV
Meters:
Spare Parts Only: No
Bypass:

Type: DC
Size: 6
Manual: 6
Approved: 18-May-1982
Shutoffs: (oo),gg,hh,ll,mm,pp,tt,uu,eee

Manufacturer: Ames
Orientation: H
0.25% Pb: No
Renewed: 18-May-2015

Model: 2000CIV
Meters:
Spare Parts Only: No
Bypass:

Type: DC
Size: 6
Manual: 8
Approved: 05-Dec-1996
Shutoffs: (oo),gg,hh,ll,mm,pp,tt,uu,eee

Manufacturer: Ames
Orientation: VU
0.25% Pb: No
Renewed: 05-Dec-2014

Model: 2000CIV
Meters:
Spare Parts Only: No
Bypass:

Type: DC
Size: 8
Manual: 6
Approved: 06-Jul-1981
Shutoffs: (oo),gg,hh,ll,mm,pp,tt,uu,eee

Manufacturer: Ames
Orientation: H
0.25% Pb: No
Renewed: 06-Jul-2014

Model: 2000CIV
Meters:
Spare Parts Only: No
Bypass:

Type: DC
Size: 8
Manual: 8
Approved: 05-Dec-1996
Shutoffs: (oo),gg,hh,ll,mm,pp,tt,uu,eee

Manufacturer: Ames
Orientation: VU
0.25% Pb: No
Renewed: 05-Dec-2014

Model: 2000CIV
Meters:
Spare Parts Only: No
Bypass:

Type: DC **Manufacturer:** Ames **Model:** 2000CIV
Size: 10 **Orientation:** H **Meters:**
Manual: 6 **0.25% Pb:** No **Spare Parts Only:** No
Approved: 16-Mar-1983 **Renewed:** 16-Mar-2013 **Bypass:**
Shutoffs: (oo),gg,hh,ll,mm,pp,tt,uu,eee

Type: DC **Manufacturer:** Ames **Model:** 2000CIV
Size: 10 **Orientation:** VU **Meters:**
Manual: 8 **0.25% Pb:** No **Spare Parts Only:** No
Approved: 05-Dec-1996 **Renewed:** 05-Dec-2014 **Bypass:**
Shutoffs: (oo),gg,hh,ll,mm,pp,tt,uu,eee

Type: DC **Manufacturer:** Ames **Model:** 2000SE
Size: 2 1/2 **Orientation:** H **Meters:**
Manual: 8 **0.25% Pb:** No **Spare Parts Only:** No
Approved: 10-Sep-1996 **Renewed:** 10-Sep-2014 **Bypass:**
Shutoffs: (mm),ee,ff,gg,hh,ll,mm,oo,pp,tt,uu,ccc,ddd,ffff,gggg

Type: DC **Manufacturer:** Ames **Model:** 2000SE
Size: 6 **Orientation:** H **Meters:**
Manual: 8 **0.25% Pb:** No **Spare Parts Only:** Yes
Approved: 22-Nov-1993 **Renewed:** 22-Nov-2014 **Bypass:**
Shutoffs: tt,ee,ff,gg,hh,ll,mm,oo,pp,uu,ccc,ddd,ffff,gggg

Type: DC **Manufacturer:** Ames **Model:** 2000SE
Size: 8 **Orientation:** H **Meters:**
Manual: 8 **0.25% Pb:** No **Spare Parts Only:** Yes
Approved: 09-Sep-1992 **Renewed:** 09-Sep-2013 **Bypass:**
Shutoffs: tt,ee,ff,gg,hh,ll,mm,oo,pp,uu,ccc,ddd,ffff,gggg

Type: DC **Manufacturer:** Ames **Model:** 2000SS
Size: 3/4 **Orientation:** H **Meters:**
Manual: 8 **0.25% Pb:** No **Spare Parts Only:** Yes
Approved: 05-May-1995 **Renewed:** 05-May-2013 **Bypass:**
Shutoffs: ii

Type: DC **Manufacturer:** Ames **Model:** 2000SS
Size: 1 **Orientation:** H **Meters:**
Manual: 8 **0.25% Pb:** No **Spare Parts Only:** Yes
Approved: 05-May-1995 **Renewed:** 05-May-2013 **Bypass:**
Shutoffs: ii

Type: DC	Manufacturer: Ames	Model: 2000SS
Size: 1 1/4	Orientation: H	Meters:
Manual: 8	0.25% Pb: No	Spare Parts Only: Yes
Approved: 14-Jul-1995	Renewed: 14-Jul-2013	Bypass:
Shutoffs: ii		
<hr/>		
Type: DC	Manufacturer: Ames	Model: 2000SS
Size: 1 1/2	Orientation: H	Meters:
Manual: 8	0.25% Pb: No	Spare Parts Only: Yes
Approved: 13-Oct-1995	Renewed: 13-Oct-2013	Bypass:
Shutoffs: ii		
<hr/>		
Type: DC	Manufacturer: Ames	Model: 2000SS
Size: 2	Orientation: H	Meters:
Manual: 8	0.25% Pb: No	Spare Parts Only: Yes
Approved: 13-Oct-1995	Renewed: 13-Oct-2013	Bypass:
Shutoffs: ii		
<hr/>		
Type: DC	Manufacturer: Ames	Model: 2000SS
Size: 2 1/2	Orientation: H	Meters:
Manual: 8	0.25% Pb: No	Spare Parts Only: No
Approved: 11-Jul-1991	Renewed: 11-Jul-2015	Bypass:
Shutoffs: (tt),ee,ff,gg,hh,pp,uu,ccc,ddd		
<hr/>		
Type: DC	Manufacturer: Ames	Model: 2000SS
Size: 2 1/2	Orientation: H	Meters:
Manual: 8	0.25% Pb: Yes	Spare Parts Only: No
Approved: 11-Jul-1991	Renewed: 11-Jul-2015	Bypass:
Shutoffs: ll,mm,oo,ffff,gggg		
<hr/>		
Type: DC	Manufacturer: Ames	Model: 2000SS
Size: 3	Orientation: H	Meters:
Manual: 8	0.25% Pb: No	Spare Parts Only: No
Approved: 11-Jul-1991	Renewed: 11-Jul-2015	Bypass:
Shutoffs: (tt),ee,ff,gg,hh,pp,uu,ccc,ddd		
<hr/>		
Type: DC	Manufacturer: Ames	Model: 2000SS
Size: 3	Orientation: H	Meters:
Manual: 8	0.25% Pb: Yes	Spare Parts Only: No
Approved: 11-Jul-1991	Renewed: 11-Jul-2015	Bypass:
Shutoffs: ll,mm,oo,ffff,gggg		

Type: DC **Manufacturer:** Ames **Model:** 2000SS
Size: 4 **Orientation:** H **Meters:**
Manual: 8 **0.25% Pb:** No **Spare Parts Only:** No
Approved: 11-Jul-1991 **Renewed:** 11-Jul-2015 **Bypass:**
Shutoffs: (tt),ee,ff,gg,hh,pp,uu,ccc,ddd

Type: DC **Manufacturer:** Ames **Model:** 2000SS
Size: 4 **Orientation:** H **Meters:**
Manual: 8 **0.25% Pb:** Yes **Spare Parts Only:** No
Approved: 11-Jul-1991 **Renewed:** 11-Jul-2015 **Bypass:**
Shutoffs: ll,mm,oo,ffff,gggg

Type: DC **Manufacturer:** Ames **Model:** 2000SS
Size: 6 **Orientation:** H **Meters:**
Manual: 8 **0.25% Pb:** No **Spare Parts Only:** No
Approved: 09-Sep-1992 **Renewed:** 09-Sep-2013 **Bypass:**
Shutoffs: (tt),ee,ff,gg,hh,pp,uu,ccc,ddd

Type: DC **Manufacturer:** Ames **Model:** 2000SS
Size: 6 **Orientation:** H **Meters:**
Manual: 8 **0.25% Pb:** Yes **Spare Parts Only:** No
Approved: 09-Sep-1992 **Renewed:** 09-Sep-2013 **Bypass:**
Shutoffs: ll,mm,oo,ffff,gggg

Type: DC **Manufacturer:** Ames **Model:** 2000SS
Size: 8 **Orientation:** H **Meters:**
Manual: 8 **0.25% Pb:** No **Spare Parts Only:** No
Approved: 16-Sep-1996 **Renewed:** 16-Sep-2014 **Bypass:**
Shutoffs: (tt),ee,ff,gg,hh,pp,uu,ccc,ddd

Type: DC **Manufacturer:** Ames **Model:** 2000SS
Size: 8 **Orientation:** H **Meters:**
Manual: 8 **0.25% Pb:** Yes **Spare Parts Only:** No
Approved: 16-Sep-1996 **Renewed:** 16-Sep-2014 **Bypass:**
Shutoffs: ll,mm,oo,ffff,gggg

Type: DC **Manufacturer:** Ames **Model:** 2000SS
Size: 10 **Orientation:** H **Meters:**
Manual: 8 **0.25% Pb:** No **Spare Parts Only:** No
Approved: 16-Feb-2001 **Renewed:** 16-Feb-2013 **Bypass:**
Shutoffs: pp,

Type: DC **Manufacturer:** Ames **Model:** 2000SS
Size: 10 **Orientation:** H **Meters:**
Manual: 8 **0.25% Pb:** Yes **Spare Parts Only:** No
Approved: 16-Feb-2001 **Renewed:** 16-Feb-2013 **Bypass:**
Shutoffs: (ll),mm,oo

Type: DC **Manufacturer:** Ames **Model:** 2000SS
Size: 12 **Orientation:** H **Meters:**
Manual: 9 **0.25% Pb:** No **Spare Parts Only:** No
Approved: 22-Jul-2009 **Renewed:** 22-Jul-2015 **Bypass:**
Shutoffs: pp,

Type: DC **Manufacturer:** Ames **Model:** 2000SS
Size: 12 **Orientation:** H **Meters:**
Manual: 9 **0.25% Pb:** Yes **Spare Parts Only:** No
Approved: 22-Jul-2009 **Renewed:** 22-Jul-2015 **Bypass:**
Shutoffs: (ll),mm,oo

Type: DC **Manufacturer:** Ames **Model:** 2000SS
Size: 12 **Orientation:** VU **Meters:**
Manual: 9 **0.25% Pb:** No **Spare Parts Only:** No
Approved: 22-Feb-2011 **Renewed:** 22-Feb-2014 **Bypass:**
Shutoffs: pp,

Type: DC **Manufacturer:** Ames **Model:** 2000SS
Size: 12 **Orientation:** VU **Meters:**
Manual: 9 **0.25% Pb:** Yes **Spare Parts Only:** No
Approved: 22-Feb-2011 **Renewed:** 22-Feb-2014 **Bypass:**
Shutoffs: (ll),mm,oo

Type: DC **Manufacturer:** Ames **Model:** 2000SS-M
Size: 4 **Orientation:** H **Meters:**
Manual: 8 **0.25% Pb:** No **Spare Parts Only:** No
Approved: 05-May-1995 **Renewed:** 05-May-2013 **Bypass:**
Shutoffs: (tt),ee,ff,gg,hh,ll,mm,oo,pp,uu,ccc,ddd,ffff,gggg

Type: DC **Manufacturer:** Ames **Model:** 2000SS-M
Size: 6 **Orientation:** H **Meters:**
Manual: 8 **0.25% Pb:** No **Spare Parts Only:** No
Approved: 05-May-1995 **Renewed:** 05-May-2013 **Bypass:**
Shutoffs: (tt),ee,ff,gg,hh,ll,mm,oo,pp,uu,ccc,ddd,ffff,gggg

Type: DC **Manufacturer:** Ames **Model:** 200B
Size: 1/2 **Orientation:** H **Meters:**
Manual: 9 **0.25% Pb:** No **Spare Parts Only:** No
Approved: 21-Apr-2006 **Renewed:** 21-Apr-2015 **Bypass:**
Shutoffs: (vv),xx,ooo,hhhh,pppp,rrrrr

Type: DC **Manufacturer:** Ames **Model:** 200B
Size: 1/2 **Orientation:** VD **Meters:**
Manual: 9 **0.25% Pb:** No **Spare Parts Only:** No
Approved: 21-Apr-2006 **Renewed:** 21-Apr-2015 **Bypass:**
Shutoffs: (vv),xx,ooo,hhhh,pppp,rrrrr

Type: DC **Manufacturer:** Ames **Model:** 200B
Size: 1/2 **Orientation:** VU **Meters:**
Manual: 9 **0.25% Pb:** No **Spare Parts Only:** No
Approved: 21-Apr-2006 **Renewed:** 21-Apr-2015 **Bypass:**
Shutoffs: (vv),xx,ooo,hhhh,pppp,rrrrr

Type: DC **Manufacturer:** Ames **Model:** 200B
Size: 3/4 **Orientation:** H **Meters:**
Manual: 9 **0.25% Pb:** No **Spare Parts Only:** No
Approved: 21-Apr-2006 **Renewed:** 21-Apr-2015 **Bypass:**
Shutoffs: (vv),xx,ooo,hhhh,pppp,rrrrr

Type: DC **Manufacturer:** Ames **Model:** 200B
Size: 3/4 **Orientation:** VD **Meters:**
Manual: 9 **0.25% Pb:** No **Spare Parts Only:** No
Approved: 21-Apr-2006 **Renewed:** 21-Apr-2015 **Bypass:**
Shutoffs: (vv),xx,ooo,hhhh,pppp,rrrrr

Type: DC **Manufacturer:** Ames **Model:** 200B
Size: 3/4 **Orientation:** VU **Meters:**
Manual: 9 **0.25% Pb:** No **Spare Parts Only:** No
Approved: 21-Apr-2006 **Renewed:** 21-Apr-2015 **Bypass:**
Shutoffs: (vv),xx,ooo,hhhh,pppp,rrrrr

Type: DC **Manufacturer:** Ames **Model:** 200B
Size: 1 **Orientation:** H **Meters:**
Manual: 9 **0.25% Pb:** No **Spare Parts Only:** No
Approved: 21-Apr-2006 **Renewed:** 21-Apr-2015 **Bypass:**
Shutoffs: (vv),xx,ooo,hhhh,pppp,rrrrr

Type: DC
Size: 1
Manual: 9
Approved: 21-Apr-2006
Shutoffs: (vv),xx,ooo,hhhh,pppp,rrrr

Manufacturer: Ames
Orientation: VD
0.25% Pb: No
Renewed: 21-Apr-2015

Model: 200B
Meters:
Spare Parts Only: No
Bypass:

Type: DC
Size: 1
Manual: 9
Approved: 21-Apr-2006
Shutoffs: (vv),xx,ooo,hhhh,pppp,rrrr

Manufacturer: Ames
Orientation: VU
0.25% Pb: No
Renewed: 21-Apr-2015

Model: 200B
Meters:
Spare Parts Only: No
Bypass:

Type: DC
Size: 1 1/4
Manual: 9
Approved: 21-Apr-2006
Shutoffs: (vv),xx,ooo,hhhh,pppp,rrrr

Manufacturer: Ames
Orientation: H
0.25% Pb: No
Renewed: 21-Apr-2015

Model: 200B
Meters:
Spare Parts Only: No
Bypass:

Type: DC
Size: 1 1/4
Manual: 9
Approved: 21-Apr-2006
Shutoffs: (vv),xx,ooo,hhhh,pppp,rrrr

Manufacturer: Ames
Orientation: VD
0.25% Pb: No
Renewed: 21-Apr-2015

Model: 200B
Meters:
Spare Parts Only: No
Bypass:

Type: DC
Size: 1 1/4
Manual: 9
Approved: 21-Apr-2006
Shutoffs: (vv),xx,ooo,hhhh,pppp,rrrr

Manufacturer: Ames
Orientation: VU
0.25% Pb: No
Renewed: 21-Apr-2015

Model: 200B
Meters:
Spare Parts Only: No
Bypass:

Type: DC
Size: 1 1/2
Manual: 9
Approved: 21-Apr-2006
Shutoffs: (vv),xx,ooo,hhhh,pppp,rrrr

Manufacturer: Ames
Orientation: H
0.25% Pb: No
Renewed: 21-Apr-2015

Model: 200B
Meters:
Spare Parts Only: No
Bypass:

Type: DC
Size: 1 1/2
Manual: 9
Approved: 21-Apr-2006
Shutoffs: (vv),xx,ooo,hhhh,pppp,rrrr

Manufacturer: Ames
Orientation: VD
0.25% Pb: No
Renewed: 21-Apr-2015

Model: 200B
Meters:
Spare Parts Only: No
Bypass:

Type: DC
Size: 1 1/2
Manual: 9
Approved: 21-Apr-2006
Shutoffs: (vv),xx,ooo,hhhh,pppp,rrrr

Manufacturer: Ames
Orientation: VU
0.25% Pb: No
Renewed: 21-Apr-2015

Model: 200B
Meters:
Spare Parts Only: No
Bypass:

Type: DC
Size: 2
Manual: 9
Approved: 21-Apr-2006
Shutoffs: (vv),xx,ooo,hhhh,pppp,rrrr

Manufacturer: Ames
Orientation: H
0.25% Pb: No
Renewed: 21-Apr-2015

Model: 200B
Meters:
Spare Parts Only: No
Bypass:

Type: DC
Size: 2
Manual: 9
Approved: 21-Apr-2006
Shutoffs: (vv),xx,ooo,hhhh,pppp,rrrr

Manufacturer: Ames
Orientation: VD
0.25% Pb: No
Renewed: 21-Apr-2015

Model: 200B
Meters:
Spare Parts Only: No
Bypass:

Type: DC
Size: 2
Manual: 9
Approved: 21-Apr-2006
Shutoffs: (vv),xx,ooo,hhhh,pppp,rrrr

Manufacturer: Ames
Orientation: VU
0.25% Pb: No
Renewed: 21-Apr-2015

Model: 200B
Meters:
Spare Parts Only: No
Bypass:

Type: DC
Size: 1/2
Manual: 9
Approved: 21-Apr-2006
Shutoffs: (vv),xx,ooo,hhhh,pppp,rrrr

Manufacturer: Ames
Orientation: H
0.25% Pb: No
Renewed: 21-Apr-2015

Model: 200B R10
Meters:
Spare Parts Only: No
Bypass:

Type: DC
Size: 1/2
Manual: 9
Approved: 21-Apr-2006
Shutoffs: (vv),xx,ooo,hhhh,pppp,rrrr

Manufacturer: Ames
Orientation: VD
0.25% Pb: No
Renewed: 21-Apr-2015

Model: 200B R10
Meters:
Spare Parts Only: No
Bypass:

Type: DC
Size: 1/2
Manual: 9
Approved: 21-Apr-2006
Shutoffs: (vv),xx,ooo,hhhh,pppp,rrrr

Manufacturer: Ames
Orientation: VU
0.25% Pb: No
Renewed: 21-Apr-2015

Model: 200B R10
Meters:
Spare Parts Only: No
Bypass:

Type: DC
Size: 3/4
Manual: 9
Approved: 21-Apr-2006
Shutoffs: (vv),xx,ooo,hhhh,pppp,rrrr

Manufacturer: Ames
Orientation: H
0.25% Pb: No
Renewed: 21-Apr-2015

Model: 200B R10
Meters:
Spare Parts Only: No
Bypass:

Type: DC
Size: 3/4
Manual: 9
Approved: 21-Apr-2006
Shutoffs: (vv),xx,ooo,hhhh,pppp,rrrr

Manufacturer: Ames
Orientation: VD
0.25% Pb: No
Renewed: 21-Apr-2015

Model: 200B R10
Meters:
Spare Parts Only: No
Bypass:

Type: DC
Size: 3/4
Manual: 9
Approved: 21-Apr-2006
Shutoffs: (vv),xx,ooo,hhhh,pppp,rrrr

Manufacturer: Ames
Orientation: VU
0.25% Pb: No
Renewed: 21-Apr-2015

Model: 200B R10
Meters:
Spare Parts Only: No
Bypass:

Type: DC
Size: 1/2
Manual: 9
Approved: 21-Apr-2006
Shutoffs: (vv),xx,ooo,hhhh,pppp,rrrr

Manufacturer: Ames
Orientation: VUVD
0.25% Pb: No
Renewed: 21-Apr-2015

Model: 200B-A
Meters:
Spare Parts Only: No
Bypass:

Type: DC
Size: 1
Manual: 9
Approved: 21-Apr-2006
Shutoffs: (vv),xx,ooo,hhhh,pppp,rrrr

Manufacturer: Ames
Orientation: VUVD
0.25% Pb: No
Renewed: 21-Apr-2015

Model: 200B-A
Meters:
Spare Parts Only: No
Bypass:

Type: DC
Size: 1 1/4
Manual: 9
Approved: 21-Apr-2006
Shutoffs: (vv),xx,ooo,hhhh,pppp,rrrr

Manufacturer: Ames
Orientation: VUVD
0.25% Pb: No
Renewed: 21-Apr-2015

Model: 200B-A
Meters:
Spare Parts Only: No
Bypass:

Type: DC
Size: 1 1/2
Manual: 9
Approved: 21-Apr-2006
Shutoffs: (vv),xx,ooo,hhhh,pppp,rrrr

Manufacturer: Ames
Orientation: VUVD
0.25% Pb: No
Renewed: 21-Apr-2015

Model: 200B-A
Meters:
Spare Parts Only: No
Bypass:

Type: DC
Size: 2
Manual: 9
Approved: 21-Apr-2006
Shutoffs: (vv),xx,ooo,hhhh,pppp,rrrr

Manufacturer: Ames
Orientation: VUVD
0.25% Pb: No
Renewed: 21-Apr-2015

Model: 200B-A
Meters:
Spare Parts Only: No
Bypass:

Type: DC
Size: 1/2
Manual: 9
Approved: 03-Jul-2013
Shutoffs: (vv),xx,ooo,hhhh,pppp,rrrr

Manufacturer: Ames
Orientation: VUVD
0.25% Pb: No
Renewed:

Model: 200B-AR10
Meters:
Spare Parts Only: No
Bypass:

Type: DC
Size: 3/4
Manual: 9
Approved: 03-Jul-2013
Shutoffs: (vv),xx,ooo,hhhh,pppp,rrrr

Manufacturer: Ames
Orientation: VUVD
0.25% Pb: No
Renewed:

Model: 200B-AR10
Meters:
Spare Parts Only: No
Bypass:

Type: DC
Size: 2 1/2
Manual: 9
Approved: 20-Jul-2004
Shutoffs: (ppp),qqq,nnnnn

Manufacturer: Ames
Orientation: H
0.25% Pb: No
Renewed: 20-Jul-2013

Model: Colt 200
Meters:
Spare Parts Only: No
Bypass:

Type: DC
Size: 2 1/2
Manual: 9
Approved: 20-Jul-2004
Shutoffs: yyy,zzz,dddd,eeee,dddd,gggg,kkkk,llll,mmmm,nnnn

Manufacturer: Ames
Orientation: H
0.25% Pb: Yes
Renewed: 20-Jul-2013

Model: Colt 200
Meters:
Spare Parts Only: No
Bypass:

Type: DC
Size: 2 1/2
Manual: 9
Approved: 20-Jul-2004
Shutoffs: (ppp),qqq,nnnnn

Manufacturer: Ames
Orientation: VU
0.25% Pb: No
Renewed: 20-Jul-2013

Model: Colt 200
Meters:
Spare Parts Only: No
Bypass:

Type: DC
Size: 2 1/2
Manual: 9
Approved: 20-Jul-2004
Shutoffs: yyy,zzz,dddd,eeee,dddd,gggg,kkkk,llll,mmmm,nnnn

Manufacturer: Ames
Orientation: VU
0.25% Pb: Yes
Renewed: 20-Jul-2013

Model: Colt 200
Meters:
Spare Parts Only: No
Bypass:

Type: DC
Size: 3
Manual: 9
Approved: 20-Jul-2004
Shutoffs: (ppp),qqq,nnnnn

Manufacturer: Ames
Orientation: H
0.25% Pb: No
Renewed: 20-Jul-2013

Model: Colt 200
Meters:
Spare Parts Only: No
Bypass:

Type: DC
Size: 3
Manual: 9
Approved: 20-Jul-2004
Shutoffs: yyy,zzz,dddd,eeee,dddd,gggg,kkkk,llll,mmmm,nnnn

Manufacturer: Ames
Orientation: H
0.25% Pb: Yes
Renewed: 20-Jul-2013

Model: Colt 200
Meters:
Spare Parts Only: No
Bypass:

Type: DC
Size: 3
Manual: 9
Approved: 20-Jul-2004
Shutoffs: (ppp),qqq,nnnnn

Manufacturer: Ames
Orientation: VU
0.25% Pb: No
Renewed: 20-Jul-2013

Model: Colt 200
Meters:
Spare Parts Only: No
Bypass:

Type: DC
Size: 3
Manual: 9
Approved: 20-Jul-2004
Shutoffs: yyy,zzz,dddd,eeee,dddd,gggg,kkkk,llll,mmmm,nnnn

Manufacturer: Ames
Orientation: VU
0.25% Pb: Yes
Renewed: 20-Jul-2013

Model: Colt 200
Meters:
Spare Parts Only: No
Bypass:

Type: DC
Size: 4
Manual: 9
Approved: 20-Jul-2004
Shutoffs: (ppp),qqq,nnnnn

Manufacturer: Ames
Orientation: H
0.25% Pb: No
Renewed: 20-Jul-2013

Model: Colt 200
Meters:
Spare Parts Only: No
Bypass:

Type: DC
Size: 4
Manual: 9
Approved: 20-Jul-2004
Shutoffs: yyy,zzz,dddd,eeee,dddd,gggg,kkkk,llll,mmmm,nnnn

Manufacturer: Ames
Orientation: H
0.25% Pb: Yes
Renewed: 20-Jul-2013

Model: Colt 200
Meters:
Spare Parts Only: No
Bypass:

Type: DC
Size: 4
Manual: 9
Approved: 20-Jul-2004
Shutoffs: (ppp),qqq,nnnnn

Manufacturer: Ames
Orientation: VU
0.25% Pb: No
Renewed: 20-Jul-2013

Model: Colt 200
Meters:
Spare Parts Only: No
Bypass:

Type: DC **Manufacturer:** Ames **Model:** Colt 200
Size: 4 **Orientation:** VU **Meters:**
Manual: 9 **0.25% Pb:** Yes **Spare Parts Only:** No
Approved: 20-Jul-2004 **Renewed:** 20-Jul-2013 **Bypass:**
Shutoffs: yyy,zzz,dddd,eeee,dddd,gggg,kkkk,llll,mmmm,nnnn

Type: DC **Manufacturer:** Ames **Model:** Colt 200
Size: 6 **Orientation:** H **Meters:**
Manual: 9 **0.25% Pb:** No **Spare Parts Only:** No
Approved: 21-Apr-2006 **Renewed:** 21-Apr-2015 **Bypass:**
Shutoffs: (ppp),qqq,aaaa,bbbb,nnnn

Type: DC **Manufacturer:** Ames **Model:** Colt 200
Size: 6 **Orientation:** H **Meters:**
Manual: 9 **0.25% Pb:** Yes **Spare Parts Only:** No
Approved: 21-Apr-2006 **Renewed:** 21-Apr-2015 **Bypass:**
Shutoffs: yyy,zzz,dddd,eeee,ffff,gggg,kkkk,llll,mmmm,nnnn

Type: DC **Manufacturer:** Ames **Model:** Colt 200
Size: 6 **Orientation:** VU **Meters:**
Manual: 9 **0.25% Pb:** No **Spare Parts Only:** No
Approved: 21-Apr-2006 **Renewed:** 21-Apr-2015 **Bypass:**
Shutoffs: (ppp),qqq,aaaa,bbbb,nnnn

Type: DC **Manufacturer:** Ames **Model:** Colt 200
Size: 6 **Orientation:** VU **Meters:**
Manual: 9 **0.25% Pb:** Yes **Spare Parts Only:** No
Approved: 21-Apr-2006 **Renewed:** 21-Apr-2015 **Bypass:**
Shutoffs: yyy,zzz,dddd,eeee,ffff,gggg,kkkk,llll,mmmm,nnnn

Type: DC **Manufacturer:** Ames **Model:** Colt 200
Size: 8 **Orientation:** H **Meters:**
Manual: 9 **0.25% Pb:** No **Spare Parts Only:** No
Approved: 11-Aug-2004 **Renewed:** 11-Aug-2013 **Bypass:**
Shutoffs: ppp,qqq,aaaa,bbbb,nnnn

Type: DC **Manufacturer:** Ames **Model:** Colt 200
Size: 8 **Orientation:** H **Meters:**
Manual: 9 **0.25% Pb:** Yes **Spare Parts Only:** No
Approved: 11-Aug-2004 **Renewed:** 11-Aug-2013 **Bypass:**
Shutoffs: (yyy),zzz,dddd,eeee,gggg,kkkk,llll,mmmm,nnnn

Type: DC
Size: 8
Manual: 9
Approved: 10-Feb-2006
Shutoffs: ppp,qqq,aaaa,bbbb,nnnn

Manufacturer: Ames
Orientation: VU
0.25% Pb: No
Renewed: 10-Feb-2015

Model: Colt 200
Meters:
Spare Parts Only: No
Bypass:

Type: DC
Size: 8
Manual: 9
Approved: 10-Feb-2006
Shutoffs: (yyy),zzz,dddd,eeee,gggg,kkkk,llll,mmmm,nnnn

Manufacturer: Ames
Orientation: VU
0.25% Pb: Yes
Renewed: 10-Feb-2015

Model: Colt 200
Meters:
Spare Parts Only: No
Bypass:

Type: DC
Size: 10
Manual: 9
Approved: 02-May-2008
Shutoffs: ppp,qqq,aaaa,bbbb

Manufacturer: Ames
Orientation: H
0.25% Pb: No
Renewed: 02-May-2014

Model: Colt 200
Meters:
Spare Parts Only: No
Bypass:

Type: DC
Size: 10
Manual: 9
Approved: 02-May-2008
Shutoffs: yyy,zzz,dddd,eeee,ggg,kkkk,llll,mmmm,nnnn

Manufacturer: Ames
Orientation: H
0.25% Pb: Yes
Renewed: 02-May-2014

Model: Colt 200
Meters:
Spare Parts Only: No
Bypass:

Type: DC
Size: 10
Manual: 9
Approved: 02-May-2008
Shutoffs: (ppp),qqq,aaaa,bbbb

Manufacturer: Ames
Orientation: VU
0.25% Pb: No
Renewed: 02-May-2014

Model: Colt 200
Meters:
Spare Parts Only: No
Bypass:

Type: DC
Size: 10
Manual: 9
Approved: 05-Dec-2014
Shutoffs: yyy,zzz,dddd,eeee,ggg,kkkk,llll,mmmm,nnnn

Manufacturer: Ames
Orientation: VU
0.25% Pb: Yes
Renewed:

Model: Colt 200
Meters:
Spare Parts Only: No
Bypass:

Type: DC
Size: 2 1/2
Manual: 9
Approved: 07-Oct-2002
Shutoffs: (ppp),fff,qqq,yyy,zzz,aaaa,bbbb,dddd,eeee,gggg,kkkk,llll,mmmm,nnnn,nnnnn

Manufacturer: Ames
Orientation: H
0.25% Pb: No
Renewed: 07-Oct-2014

Model: Colt 200a
Meters:
Spare Parts Only: No
Bypass:

Type: DC **Manufacturer:** Ames **Model:** Colt 200a
Size: 2 1/2 **Orientation:** VU **Meters:**
Manual: 9 **0.25% Pb:** No **Spare Parts Only:** No
Approved: 07-Oct-2002 **Renewed:** 07-Oct-2014 **Bypass:**
Shutoffs: (ppp),qqq,yyy,zzz,aaaa,bbbb,dddd,eeee,ffff,gggg,kkkk,llll,mmmm,nnnn,nnnnn

Type: DC **Manufacturer:** Ames **Model:** Colt 200a
Size: 3 **Orientation:** H **Meters:**
Manual: 9 **0.25% Pb:** No **Spare Parts Only:** No
Approved: 07-Oct-2002 **Renewed:** 07-Oct-2014 **Bypass:**
Shutoffs: (ppp),qqq,yyy,zzz,aaaa,bbbb,dddd,eeee,ffff,gggg,kkkk,llll,mmmm,nnnn,nnnnn

Type: DC **Manufacturer:** Ames **Model:** Colt 200a
Size: 3 **Orientation:** VU **Meters:**
Manual: 9 **0.25% Pb:** No **Spare Parts Only:** No
Approved: 07-Oct-2002 **Renewed:** 07-Oct-2014 **Bypass:**
Shutoffs: (ppp),qqq,yyy,zzz,aaaa,bbbb,dddd,eeee,ffff,gggg,kkkk,llll,mmmm,nnnn,nnnnn

Type: DC **Manufacturer:** Ames **Model:** Colt 200a
Size: 4 **Orientation:** H **Meters:**
Manual: 9 **0.25% Pb:** No **Spare Parts Only:** No
Approved: 07-Oct-2002 **Renewed:** 07-Oct-2014 **Bypass:**
Shutoffs: (ppp),qqq,yyy,zzz,aaaa,bbbb,dddd,eeee,ffff,gggg,kkkk,llll,mmmm,nnnn,nnnnn

Type: DC **Manufacturer:** Ames **Model:** Colt 200a
Size: 4 **Orientation:** VU **Meters:**
Manual: 9 **0.25% Pb:** No **Spare Parts Only:** No
Approved: 07-Oct-2002 **Renewed:** 07-Oct-2014 **Bypass:**
Shutoffs: (ppp),qqq,yyy,zzz,aaaa,bbbb,dddd,eeee,ffff,gggg,kkkk,llll,mmmm,nnnn,nnnnn

Type: DC **Manufacturer:** Ames **Model:** Colt 200a
Size: 6 **Orientation:** H **Meters:**
Manual: 9 **0.25% Pb:** No **Spare Parts Only:** No
Approved: 03-Jul-2003 **Renewed:** 03-Jul-2015 **Bypass:**
Shutoffs: (ppp),qqq,yyy,zzz,aaaa,bbbb,dddd,eeee,ffff,gggg,kkkk,llll,mmmm,nnnn,nnnnn

Type: DC **Manufacturer:** Ames **Model:** Colt 200a
Size: 6 **Orientation:** VU **Meters:**
Manual: 9 **0.25% Pb:** No **Spare Parts Only:** No
Approved: 03-Jul-2003 **Renewed:** 03-Jul-2015 **Bypass:**
Shutoffs: (ppp),qqq,yyy,zzz,aaaa,bbbb,dddd,eeee,ffff,gggg,kkkk,llll,mmmm,nnnn,nnnnn

Type: DC
Size: 2 1/2
Manual: 9
Approved: 07-Apr-2009
Shutoffs: (ppp),qqq,nnnnn

Manufacturer: Ames
Orientation: VUVD
0.25% Pb: No
Renewed: 07-Apr-2015

Model: Colt 200N
Meters:
Spare Parts Only: No
Bypass:

Type: DC
Size: 2 1/2
Manual: 9
Approved: 07-Apr-2009
Shutoffs: yyy,zzz,dddd,eeee,dddd,gggg,kkkk,llll,mmmm,nnnn

Manufacturer: Ames
Orientation: VUVD
0.25% Pb: Yes
Renewed: 07-Apr-2015

Model: Colt 200N
Meters:
Spare Parts Only: No
Bypass:

Type: DC
Size: 3
Manual: 9
Approved: 07-Apr-2009
Shutoffs: (ppp),qqq,nnnnn

Manufacturer: Ames
Orientation: VUVD
0.25% Pb: No
Renewed: 07-Apr-2015

Model: Colt 200N
Meters:
Spare Parts Only: No
Bypass:

Type: DC
Size: 3
Manual: 9
Approved: 07-Apr-2009
Shutoffs: yyy,zzz,dddd,eeee,dddd,gggg,kkkk,llll,mmmm,nnnn

Manufacturer: Ames
Orientation: VUVD
0.25% Pb: Yes
Renewed: 07-Apr-2015

Model: Colt 200N
Meters:
Spare Parts Only: No
Bypass:

Type: DC
Size: 4
Manual: 9
Approved: 07-Apr-2009
Shutoffs: (ppp),qqq,nnnnn

Manufacturer: Ames
Orientation: VUVD
0.25% Pb: No
Renewed: 07-Apr-2015

Model: Colt 200N
Meters:
Spare Parts Only: No
Bypass:

Type: DC
Size: 4
Manual: 9
Approved: 07-Apr-2009
Shutoffs: yyy,zzz,dddd,eeee,dddd,gggg,kkkk,llll,mmmm,nnnn

Manufacturer: Ames
Orientation: VUVD
0.25% Pb: Yes
Renewed: 07-Apr-2015

Model: Colt 200N
Meters:
Spare Parts Only: No
Bypass:

Type: DC
Size: 6
Manual: 9
Approved: 07-Apr-2009
Shutoffs: (ppp),qqq,nnnnn

Manufacturer: Ames
Orientation: VUVD
0.25% Pb: No
Renewed: 07-Apr-2015

Model: Colt 200N
Meters:
Spare Parts Only: No
Bypass:

Type: DC **Manufacturer:** Ames **Model:** Colt 200N
Size: 6 **Orientation:** VUVD **Meters:**
Manual: 9 **0.25% Pb:** Yes **Spare Parts Only:** No
Approved: 07-Apr-2009 **Renewed:** 07-Apr-2015 **Bypass:**
Shutoffs: yyy,zzz,dddd,eeee,dddd,gggg,kkkk,llll,mmmm,nnnn

Type: DC **Manufacturer:** Ames **Model:** Colt 200N
Size: 8 **Orientation:** VUVD **Meters:**
Manual: 9 **0.25% Pb:** No **Spare Parts Only:** No
Approved: 03-Jan-2013 **Renewed:** **Bypass:**
Shutoffs: ppp,qqq,aaaa,bbbb

Type: DC **Manufacturer:** Ames **Model:** Colt 200N
Size: 8 **Orientation:** VUVD **Meters:**
Manual: 9 **0.25% Pb:** Yes **Spare Parts Only:** No
Approved: 03-Jan-2013 **Renewed:** **Bypass:**
Shutoffs: yyy, zzz,dddd,eeee,gggg,kkkk,llll,mmmm,nnnn

Type: DC **Manufacturer:** Ames **Model:** Colt 200N
Size: 10 **Orientation:** VUVD **Meters:**
Manual: 9 **0.25% Pb:** No **Spare Parts Only:** No
Approved: 01-Sep-2009 **Renewed:** 01-Sep-2015 **Bypass:**
Shutoffs: (ppp),qqq

Type: DC **Manufacturer:** Ames **Model:** Colt 200N
Size: 10 **Orientation:** VUVD **Meters:**
Manual: 9 **0.25% Pb:** Yes **Spare Parts Only:** No
Approved: 01-Sep-2009 **Renewed:** 01-Sep-2015 **Bypass:**
Shutoffs: yyy,zzz,dddd,eeee,dddd,gggg,kkkk,llll,mmmm,nnnn

Type: DC **Manufacturer:** Ames **Model:** Colt 200Na
Size: 2 1/2 **Orientation:** VUVD **Meters:**
Manual: 9 **0.25% Pb:** No **Spare Parts Only:** No
Approved: 20-Mar-2003 **Renewed:** 20-Mar-2015 **Bypass:**
Shutoffs: (ppp),qqq,yyy,zzz,aaaa,bbbb,dddd,eeee,ffff,gggg,kkkk,llll,mmmm,nnnn,nnnnn

Type: DC **Manufacturer:** Ames **Model:** Colt 200Na
Size: 3 **Orientation:** VUVD **Meters:**
Manual: 9 **0.25% Pb:** No **Spare Parts Only:** No
Approved: 20-Mar-2003 **Renewed:** 20-Mar-2015 **Bypass:**
Shutoffs: (ppp),qqq,yyy,zzz,aaaa,bbbb,dddd,eeee,ffff,gggg,kkkk,llll,mmmm,nnnn,nnnnn

Type: DC **Manufacturer:** Ames **Model:** Colt 200Na
Size: 4 **Orientation:** VUVD **Meters:**
Manual: 9 **0.25% Pb:** No **Spare Parts Only:** No
Approved: 20-Mar-2003 **Renewed:** 20-Mar-2015 **Bypass:**
Shutoffs: (ppp),qqq,yyy,zzz,aaaa,bbbb,dddd,eeee,ffff,gggg,kkkk,llll,mmmm,nnnn,nnnnn

Type: DC **Manufacturer:** Ames **Model:** Colt 200Na
Size: 6 **Orientation:** VUVD **Meters:**
Manual: 9 **0.25% Pb:** No **Spare Parts Only:** No
Approved: 03-Jul-2003 **Renewed:** 03-Jul-2015 **Bypass:**
Shutoffs: (ppp),qqq,yyy,zzz,aaaa,bbbb,dddd,eeee,ffff,gggg,kkkk,llll,mmmm,nnnn,nnnnn

Type: DC **Manufacturer:** Ames **Model:** DC
Size: 4 **Orientation:** H **Meters:**
Manual: 6 **0.25% Pb:** No **Spare Parts Only:** Yes
Approved: 14-Jun-1985 **Renewed:** 14-Jun-2015 **Bypass:**
Shutoffs: oo,pp,ffff,gggg

Type: DC **Manufacturer:** Ames **Model:** DC
Size: 6 **Orientation:** H **Meters:**
Manual: 6 **0.25% Pb:** No **Spare Parts Only:** Yes
Approved: 14-Jun-1985 **Renewed:** 14-Jun-2015 **Bypass:**
Shutoffs: oo,pp,ffff,gggg

Type: DC **Manufacturer:** Ames **Model:** DC
Size: 8 **Orientation:** H **Meters:**
Manual: 7 **0.25% Pb:** No **Spare Parts Only:** Yes
Approved: 04-Aug-1987 **Renewed:** 04-Aug-2014 **Bypass:**
Shutoffs: oo,pp,ffff,gggg

Type: DC **Manufacturer:** Ames **Model:** DC
Size: 10 **Orientation:** **Meters:**
Manual: **0.25% Pb:** No **Spare Parts Only:** No
Approved: **Renewed:** **Bypass:**
Notes: model designation changed to 2000-DC

Type: DC **Manufacturer:** Ames **Model:** DC
Size: 10 **Orientation:** **Meters:**
Manual: **0.25% Pb:** No **Spare Parts Only:** No
Approved: **Renewed:** **Bypass:**
Notes: model designation changed to 2000-G-DC

Type: DC **Manufacturer:** Ames **Model:** DCA
Size: 4 **Orientation:** **Meters:**
Manual: **0.25% Pb:** No **Spare Parts Only:** No
Approved: **Renewed:** **Bypass:**
Notes: model designation changed to 2000-DCA

Type: DC **Manufacturer:** Ames **Model:** DCA
Size: 4 **Orientation:** **Meters:**
Manual: **0.25% Pb:** No **Spare Parts Only:** No
Approved: **Renewed:** **Bypass:**
Notes: model designation changed to 2000-G-DCA

Type: DC **Manufacturer:** Ames **Model:** DCA
Size: 6 **Orientation:** **Meters:**
Manual: **0.25% Pb:** No **Spare Parts Only:** No
Approved: **Renewed:** **Bypass:**
Notes: model designation changed to 2000-DCA

Type: DC **Manufacturer:** Ames **Model:** DCA
Size: 6 **Orientation:** **Meters:**
Manual: **0.25% Pb:** No **Spare Parts Only:** No
Approved: **Renewed:** **Bypass:**
Notes: model designation changed to 2000-G-DCA

Type: DC **Manufacturer:** Ames **Model:** DCA
Size: 8 **Orientation:** **Meters:**
Manual: **0.25% Pb:** No **Spare Parts Only:** No
Approved: **Renewed:** **Bypass:**
Notes: model designation changed to 2000-DCA

Type: DC **Manufacturer:** Ames **Model:** DCA
Size: 8 **Orientation:** **Meters:**
Manual: **0.25% Pb:** No **Spare Parts Only:** No
Approved: **Renewed:** **Bypass:**
Notes: model designation changed to 2000-G-DCA

Type: DC **Manufacturer:** Ames **Model:** LF2000B
Size: 1/2 **Orientation:** H **Meters:**
Manual: 9 **0.25% Pb:** Yes **Spare Parts Only:** No
Approved: 25-Sep-2013 **Renewed:** **Bypass:**
Shutoffs: (hhhh)

Type: DC
Size: 1/2
Manual: 9
Approved: 25-Sep-2013
Shutoffs: (hhhh)

Manufacturer: Ames
Orientation: VU
0.25% Pb: Yes
Renewed:

Model: LF2000B
Meters:
Spare Parts Only: No
Bypass:

Type: DC
Size: 1
Manual: 9
Approved: 25-Sep-2013
Shutoffs: (hhhh)

Manufacturer: Ames
Orientation: H
0.25% Pb: Yes
Renewed:

Model: LF2000BM1
Meters:
Spare Parts Only: No
Bypass:

Type: DC
Size: 1
Manual: 9
Approved: 25-Sep-2013
Shutoffs: (hhhh)

Manufacturer: Ames
Orientation: VU
0.25% Pb: Yes
Renewed:

Model: LF2000BM1
Meters:
Spare Parts Only: No
Bypass:

Type: DC
Size: 2
Manual: 9
Approved: 25-Sep-2013
Shutoffs: (hhhh)

Manufacturer: Ames
Orientation: H
0.25% Pb: Yes
Renewed:

Model: LF2000BM1
Meters:
Spare Parts Only: No
Bypass:

Type: DC
Size: 2
Manual: 9
Approved: 25-Sep-2013
Shutoffs: (hhhh)

Manufacturer: Ames
Orientation: VU
0.25% Pb: Yes
Renewed:

Model: LF2000BM1
Meters:
Spare Parts Only: No
Bypass:

Type: DC
Size: 1 1/4
Manual: 8
Approved: 25-Sep-2013
Shutoffs: (hhhh)

Manufacturer: Ames
Orientation: H
0.25% Pb: Yes
Renewed:

Model: LF2000BM2
Meters:
Spare Parts Only: No
Bypass:

Type: DC
Size: 1 1/4
Manual: 8
Approved: 25-Sep-2013
Shutoffs: (hhhh)

Manufacturer: Ames
Orientation: VU
0.25% Pb: Yes
Renewed:

Model: LF2000BM2
Meters:
Spare Parts Only: No
Bypass:

Type: DC	Manufacturer: Ames	Model: LF2000BM2
Size: 1 1/2	Orientation: H	Meters:
Manual: 8	0.25% Pb: Yes	Spare Parts Only: No
Approved: 25-Sep-2013	Renewed:	Bypass:
Shutoffs: (hhhh)		

Type: DC	Manufacturer: Ames	Model: LF2000BM2
Size: 1 1/2	Orientation: VU	Meters:
Manual: 8	0.25% Pb: Yes	Spare Parts Only: No
Approved: 25-Sep-2013	Renewed:	Bypass:
Shutoffs: (hhhh)		

Type: DC	Manufacturer: Ames	Model: LF2000BM3
Size: 3/4	Orientation: H	Meters:
Manual: 9	0.25% Pb: Yes	Spare Parts Only: No
Approved: 25-Sep-2013	Renewed:	Bypass:
Shutoffs: (hhhh)		

Type: DC	Manufacturer: Ames	Model: LF2000BM3
Size: 3/4	Orientation: VU	Meters:
Manual: 9	0.25% Pb: Yes	Spare Parts Only: No
Approved: 25-Sep-2013	Renewed:	Bypass:
Shutoffs: (hhhh)		

Type: DC	Manufacturer: Ames	Model: LF200B
Size: 1/2	Orientation: H	Meters:
Manual: 9	0.25% Pb: Yes	Spare Parts Only: No
Approved: 03-Jul-2013	Renewed:	Bypass:
Shutoffs: (hhhh)		

Type: DC	Manufacturer: Ames	Model: LF200B
Size: 1/2	Orientation: VD	Meters:
Manual: 9	0.25% Pb: Yes	Spare Parts Only: No
Approved: 03-Jul-2013	Renewed:	Bypass:
Shutoffs: (hhhh)		

Type: DC	Manufacturer: Ames	Model: LF200B
Size: 1/2	Orientation: VU	Meters:
Manual: 9	0.25% Pb: Yes	Spare Parts Only: No
Approved: 03-Jul-2013	Renewed:	Bypass:
Shutoffs: (hhhh)		

Type: DC
Size: 3/4
Manual: 9
Approved: 03-Jul-2013
Shutoffs: (hhhh)

Manufacturer: Ames
Orientation: H
0.25% Pb: Yes
Renewed:

Model: LF200B
Meters:
Spare Parts Only: No
Bypass:

Type: DC
Size: 3/4
Manual: 9
Approved: 03-Jul-2013
Shutoffs: (hhhh)

Manufacturer: Ames
Orientation: VD
0.25% Pb: Yes
Renewed:

Model: LF200B
Meters:
Spare Parts Only: No
Bypass:

Type: DC
Size: 3/4
Manual: 9
Approved: 03-Jul-2013
Shutoffs: (hhhh)

Manufacturer: Ames
Orientation: VU
0.25% Pb: Yes
Renewed:

Model: LF200B
Meters:
Spare Parts Only: No
Bypass:

Type: DC
Size: 1
Manual: 9
Approved: 14-Jun-2006
Shutoffs: (vv),xx,ooo,hhhh,pppp,rrrr

Manufacturer: Ames
Orientation: H
0.25% Pb: No
Renewed: 14-Jun-2015

Model: LF200B
Meters:
Spare Parts Only: No
Bypass:

Type: DC
Size: 1
Manual: 9
Approved: 14-Jun-2006
Shutoffs: (vv),xx,ooo,hhhh,pppp,rrrr

Manufacturer: Ames
Orientation: VD
0.25% Pb: No
Renewed: 14-Jun-2015

Model: LF200B
Meters:
Spare Parts Only: No
Bypass:

Type: DC
Size: 1
Manual: 9
Approved: 14-Jun-2006
Shutoffs: (vv),xx,ooo,hhhh,pppp,rrrr

Manufacturer: Ames
Orientation: VU
0.25% Pb: No
Renewed: 14-Jun-2015

Model: LF200B
Meters:
Spare Parts Only: No
Bypass:

Type: DC
Size: 1 1/4
Manual: 9
Approved: 14-Jun-2006
Shutoffs: (vv),xx,ooo,hhhh,pppp,rrrr

Manufacturer: Ames
Orientation: H
0.25% Pb: No
Renewed: 14-Jun-2015

Model: LF200B
Meters:
Spare Parts Only: No
Bypass:

Type: DC
Size: 1 1/4
Manual: 9
Approved: 14-Jun-2006
Shutoffs: (vv),xx,ooo,hhhh,pppp,rrrr

Manufacturer: Ames
Orientation: VD
0.25% Pb: No
Renewed: 14-Jun-2015

Model: LF200B
Meters:
Spare Parts Only: No
Bypass:

Type: DC
Size: 1 1/4
Manual: 9
Approved: 14-Jun-2006
Shutoffs: (vv),xx,ooo,hhhh,pppp,rrrr

Manufacturer: Ames
Orientation: VU
0.25% Pb: No
Renewed: 14-Jun-2015

Model: LF200B
Meters:
Spare Parts Only: No
Bypass:

Type: DC
Size: 1 1/2
Manual: 9
Approved: 14-Jun-2006
Shutoffs: (vv),xx,ooo,hhhh,pppp,rrrr

Manufacturer: Ames
Orientation: H
0.25% Pb: No
Renewed: 14-Jun-2015

Model: LF200B
Meters:
Spare Parts Only: No
Bypass:

Type: DC
Size: 1 1/2
Manual: 9
Approved: 14-Jun-2006
Shutoffs: (vv),xx,ooo,hhhh,pppp,rrrr

Manufacturer: Ames
Orientation: VD
0.25% Pb: No
Renewed: 14-Jun-2015

Model: LF200B
Meters:
Spare Parts Only: No
Bypass:

Type: DC
Size: 1 1/2
Manual: 9
Approved: 14-Jun-2006
Shutoffs: (vv),xx,ooo,hhhh,pppp,rrrr

Manufacturer: Ames
Orientation: VU
0.25% Pb: No
Renewed: 14-Jun-2015

Model: LF200B
Meters:
Spare Parts Only: No
Bypass:

Type: DC
Size: 2
Manual: 9
Approved: 14-Jun-2006
Shutoffs: (vv),xx,ooo,hhhh,pppp,rrrr

Manufacturer: Ames
Orientation: H
0.25% Pb: No
Renewed: 14-Jun-2015

Model: LF200B
Meters:
Spare Parts Only: No
Bypass:

Type: DC
Size: 2
Manual: 9
Approved: 14-Jun-2006
Shutoffs: (vv),xx,ooo,hhhh,pppp,rrrr

Manufacturer: Ames
Orientation: VD
0.25% Pb: No
Renewed: 14-Jun-2015

Model: LF200B
Meters:
Spare Parts Only: No
Bypass:

Type: DC
Size: 2
Manual: 9
Approved: 14-Jun-2006
Shutoffs: (vv),xx,ooo,hhhh,pppp,rrrr

Manufacturer: Ames
Orientation: VU
0.25% Pb: No
Renewed: 14-Jun-2015

Model: LF200B
Meters:
Spare Parts Only: No
Bypass:

Type: DC
Size: 1/2
Manual: 9
Approved: 14-Jun-2006
Shutoffs: (vv),xx,ooo,hhhh,pppp,rrrr

Manufacturer: Ames
Orientation: H
0.25% Pb: No
Renewed: 14-Jun-2015

Model: LF200B R10
Meters:
Spare Parts Only: No
Bypass:

Type: DC
Size: 1/2
Manual: 9
Approved: 14-Jun-2006
Shutoffs: (vv),xx,ooo,hhhh,pppp,rrrr

Manufacturer: Ames
Orientation: VD
0.25% Pb: No
Renewed: 14-Jun-2015

Model: LF200B R10
Meters:
Spare Parts Only: No
Bypass:

Type: DC
Size: 1/2
Manual: 9
Approved: 14-Jun-2006
Shutoffs: (vv),xx,ooo,hhhh,pppp,rrrr

Manufacturer: Ames
Orientation: VU
0.25% Pb: No
Renewed: 14-Jun-2015

Model: LF200B R10
Meters:
Spare Parts Only: No
Bypass:

Type: DC
Size: 3/4
Manual: 9
Approved: 14-Jun-2006
Shutoffs: (vv),xx,ooo,hhhh,pppp,rrrr

Manufacturer: Ames
Orientation: H
0.25% Pb: No
Renewed: 14-Jun-2015

Model: LF200B R10
Meters:
Spare Parts Only: No
Bypass:

Type: DC
Size: 3/4
Manual: 9
Approved: 14-Jun-2006
Shutoffs: (vv),xx,ooo,hhhh,pppp,rrrr

Manufacturer: Ames
Orientation: VD
0.25% Pb: No
Renewed: 14-Jun-2015

Model: LF200B R10
Meters:
Spare Parts Only: No
Bypass:

Type: DC
Size: 3/4
Manual: 9
Approved: 14-Jun-2006
Shutoffs: (vv),xx,ooo,hhhh,pppp,rrrr

Manufacturer: Ames
Orientation: VU
0.25% Pb: No
Renewed: 14-Jun-2015

Model: LF200B R10
Meters:
Spare Parts Only: No
Bypass:

Type: DC
Size: 1
Manual: 9
Approved: 14-Jun-2006
Shutoffs: (vv),xx,ooo,hhhh,pppp,rrrr

Manufacturer: Ames
Orientation: VUVD
0.25% Pb: No
Renewed: 14-Jun-2015

Model: LF200B-A
Meters:
Spare Parts Only: No
Bypass:

Type: DC
Size: 1 1/4
Manual: 9
Approved: 14-Jun-2006
Shutoffs: (vv),xx,ooo,hhhh,pppp,rrrr

Manufacturer: Ames
Orientation: VUVD
0.25% Pb: No
Renewed: 14-Jun-2015

Model: LF200B-A
Meters:
Spare Parts Only: No
Bypass:

Type: DC
Size: 1 1/2
Manual: 9
Approved: 14-Jun-2006
Shutoffs: (vv),xx,ooo,hhhh,pppp,rrrr

Manufacturer: Ames
Orientation: VUVD
0.25% Pb: No
Renewed: 14-Jun-2015

Model: LF200B-A
Meters:
Spare Parts Only: No
Bypass:

Type: DC
Size: 2
Manual: 9
Approved: 14-Jun-2006
Shutoffs: (vv),xx,ooo,hhhh,pppp,rrrr

Manufacturer: Ames
Orientation: VUVD
0.25% Pb: No
Renewed: 14-Jun-2015

Model: LF200B-A
Meters:
Spare Parts Only: No
Bypass:

Type: DC
Size: 1
Manual: 9
Approved: 14-Jun-2006
Shutoffs: (vv),xx,ooo,hhhh,pppp

Manufacturer: Ames
Orientation: H
0.25% Pb: No
Renewed: 14-Jun-2015

Model: LFU200B
Meters:
Spare Parts Only: No
Bypass:

Type: DC
Size: 1
Manual: 9
Approved: 14-Jun-2006
Shutoffs: (vv),xx,ooo,hhhh,pppp

Manufacturer: Ames
Orientation: VD
0.25% Pb: No
Renewed: 14-Jun-2015

Model: LFU200B
Meters:
Spare Parts Only: No
Bypass:

Type: DC
Size: 1
Manual: 9
Approved: 14-Jun-2006
Shutoffs: (vv),xx,ooo,hhhh,pppp

Manufacturer: Ames
Orientation: VU
0.25% Pb: No
Renewed: 14-Jun-2015

Model: LFU200B
Meters:
Spare Parts Only: No
Bypass:

Type: DC
Size: 1 1/4
Manual: 9
Approved: 14-Jun-2006
Shutoffs: (vv),xx,ooo,hhhh,pppp

Manufacturer: Ames
Orientation: H
0.25% Pb: No
Renewed: 14-Jun-2015

Model: LFU200B
Meters:
Spare Parts Only: No
Bypass:

Type: DC
Size: 1 1/4
Manual: 9
Approved: 14-Jun-2006
Shutoffs: (vv),xx,ooo,hhhh,pppp

Manufacturer: Ames
Orientation: VD
0.25% Pb: No
Renewed: 14-Jun-2015

Model: LFU200B
Meters:
Spare Parts Only: No
Bypass:

Type: DC
Size: 1 1/4
Manual: 9
Approved: 14-Jun-2006
Shutoffs: (vv),xx,ooo,hhhh,pppp

Manufacturer: Ames
Orientation: VU
0.25% Pb: No
Renewed: 14-Jun-2015

Model: LFU200B
Meters:
Spare Parts Only: No
Bypass:

Type: DC
Size: 1 1/2
Manual: 9
Approved: 14-Jun-2006
Shutoffs: (vv),xx,ooo,hhhh,pppp

Manufacturer: Ames
Orientation: H
0.25% Pb: No
Renewed: 14-Jun-2015

Model: LFU200B
Meters:
Spare Parts Only: No
Bypass:

Type: DC
Size: 1 1/2
Manual: 9
Approved: 14-Jun-2006
Shutoffs: (vv),xx,ooo,hhhh,pppp

Manufacturer: Ames
Orientation: VD
0.25% Pb: No
Renewed: 14-Jun-2015

Model: LFU200B
Meters:
Spare Parts Only: No
Bypass:

Type: DC
Size: 1 1/2
Manual: 9
Approved: 14-Jun-2006
Shutoffs: (vv),xx,ooo,hhhh,pppp

Manufacturer: Ames
Orientation: VU
0.25% Pb: No
Renewed: 14-Jun-2015

Model: LFU200B
Meters:
Spare Parts Only: No
Bypass:

Type: DC
Size: 2
Manual: 9
Approved: 14-Jun-2006
Shutoffs: (vv),xx,ooo,hhhh,pppp

Manufacturer: Ames
Orientation: H
0.25% Pb: No
Renewed: 14-Jun-2015

Model: LFU200B
Meters:
Spare Parts Only: No
Bypass:

Type: DC	Manufacturer: Ames	Model: LFU200B
Size: 2	Orientation: VD	Meters:
Manual: 9	0.25% Pb: No	Spare Parts Only: No
Approved: 14-Jun-2006	Renewed: 14-Jun-2015	Bypass:
Shutoffs: (vv),xx,ooo,hhhh,pppp		

Type: DC	Manufacturer: Ames	Model: LFU200B
Size: 2	Orientation: VU	Meters:
Manual: 9	0.25% Pb: No	Spare Parts Only: No
Approved: 14-Jun-2006	Renewed: 14-Jun-2015	Bypass:
Shutoffs: (vv),xx,ooo,hhhh,pppp		

Type: DC	Manufacturer: Ames	Model: Maxim 200
Size: 2 1/2	Orientation: H	Meters:
Manual: 9	0.25% Pb: No	Spare Parts Only: No
Approved: 20-Jul-2004	Renewed: 20-Jul-2013	Bypass:
Shutoffs: (ppp),qqq,nnnn		

Type: DC	Manufacturer: Ames	Model: Maxim 200
Size: 2 1/2	Orientation: H	Meters:
Manual: 9	0.25% Pb: Yes	Spare Parts Only: No
Approved: 20-Jul-2004	Renewed: 20-Jul-2013	Bypass:
Shutoffs: yyy,dddd,eeee,gggg,kkkk,llll,mmmm,nnnn		

Type: DC	Manufacturer: Ames	Model: Maxim 200
Size: 2 1/2	Orientation: VU	Meters:
Manual: 9	0.25% Pb: No	Spare Parts Only: No
Approved: 20-Jul-2004	Renewed: 20-Jul-2013	Bypass:
Shutoffs: (ppp),qqq,nnnn		

Type: DC	Manufacturer: Ames	Model: Maxim 200
Size: 2 1/2	Orientation: VU	Meters:
Manual: 9	0.25% Pb: Yes	Spare Parts Only: No
Approved: 20-Jul-2004	Renewed: 20-Jul-2013	Bypass:
Shutoffs: yyy,dddd,eeee,gggg,kkkk,llll,mmmm,nnnn		

Type: DC	Manufacturer: Ames	Model: Maxim 200
Size: 3	Orientation: H	Meters:
Manual: 9	0.25% Pb: No	Spare Parts Only: No
Approved: 20-Jul-2004	Renewed: 20-Jul-2013	Bypass:
Shutoffs: (ppp),qqq,nnnn		

Type: DC **Manufacturer:** Ames **Model:** Maxim 200
Size: 3 **Orientation:** H **Meters:**
Manual: 9 **0.25% Pb:** Yes **Spare Parts Only:** No
Approved: 20-Jul-2004 **Renewed:** 20-Jul-2013 **Bypass:**
Shutoffs: yyy,dddd,eeee,gggg,kkkk,llll,mmmm,nnnn

Type: DC **Manufacturer:** Ames **Model:** Maxim 200
Size: 3 **Orientation:** VU **Meters:**
Manual: 9 **0.25% Pb:** No **Spare Parts Only:** No
Approved: 20-Jul-2004 **Renewed:** 20-Jul-2013 **Bypass:**
Shutoffs: (ppp),qqq,nnnnn

Type: DC **Manufacturer:** Ames **Model:** Maxim 200
Size: 3 **Orientation:** VU **Meters:**
Manual: 9 **0.25% Pb:** Yes **Spare Parts Only:** No
Approved: 20-Jul-2004 **Renewed:** 20-Jul-2013 **Bypass:**
Shutoffs: yyy,dddd,eeee,gggg,kkkk,llll,mmmm,nnnn

Type: DC **Manufacturer:** Ames **Model:** Maxim 200
Size: 4 **Orientation:** H **Meters:**
Manual: 9 **0.25% Pb:** No **Spare Parts Only:** No
Approved: 21-Apr-2006 **Renewed:** 21-Apr-2015 **Bypass:**
Shutoffs: (ppp),qqq,aaaa,bbbb,nnnnn

Type: DC **Manufacturer:** Ames **Model:** Maxim 200
Size: 4 **Orientation:** H **Meters:**
Manual: 9 **0.25% Pb:** Yes **Spare Parts Only:** No
Approved: 21-Apr-2006 **Renewed:** 21-Apr-2015 **Bypass:**
Shutoffs: yyy,zzz,dddd,eeee,gggg,kkkk,llll,mmmm,nnnn

Type: DC **Manufacturer:** Ames **Model:** Maxim 200
Size: 4 **Orientation:** VU **Meters:**
Manual: 9 **0.25% Pb:** No **Spare Parts Only:** No
Approved: 21-Apr-2006 **Renewed:** 21-Apr-2015 **Bypass:**
Shutoffs: (ppp),qqq,aaaa,bbbb,nnnnn

Type: DC **Manufacturer:** Ames **Model:** Maxim 200
Size: 4 **Orientation:** VU **Meters:**
Manual: 9 **0.25% Pb:** Yes **Spare Parts Only:** No
Approved: 21-Apr-2006 **Renewed:** 21-Apr-2015 **Bypass:**
Shutoffs: yyy,zzz,dddd,eeee,gggg,kkkk,llll,mmmm,nnnn

Type: DC
Size: 6
Manual: 9
Approved: 11-Aug-2004
Shutoffs: ppp,qqq,aaaa,bbbb,nnnn

Manufacturer: Ames
Orientation: H
0.25% Pb: No
Renewed: 11-Aug-2013

Model: Maxim 200
Meters:
Spare Parts Only: No
Bypass:

Type: DC
Size: 6
Manual: 9
Approved: 11-Aug-2004
Shutoffs: (yyy),zzz,dddd,eeee,gggg,kkkk,llll,mmmm,nnnn

Manufacturer: Ames
Orientation: H
0.25% Pb: Yes
Renewed: 11-Aug-2013

Model: Maxim 200
Meters:
Spare Parts Only: No
Bypass:

Type: DC
Size: 6
Manual: 9
Approved: 10-Feb-2006
Shutoffs: ppp,qqq,aaaa,bbbb,nnnn

Manufacturer: Ames
Orientation: VU
0.25% Pb: No
Renewed: 10-Feb-2015

Model: Maxim 200
Meters:
Spare Parts Only: No
Bypass:

Type: DC
Size: 6
Manual: 9
Approved: 10-Feb-2006
Shutoffs: (yyy),zzz,dddd,eeee,gggg,kkkk,llll,mmmm,nnnn

Manufacturer: Ames
Orientation: VU
0.25% Pb: Yes
Renewed: 10-Feb-2015

Model: Maxim 200
Meters:
Spare Parts Only: No
Bypass:

Type: DC
Size: 8
Manual: 9
Approved: 02-May-2008
Shutoffs: ppp,qqq,aaaa,bbbb,nnnn

Manufacturer: Ames
Orientation: H
0.25% Pb: No
Renewed: 02-May-2014

Model: Maxim 200
Meters:
Spare Parts Only: No
Bypass:

Type: DC
Size: 8
Manual: 9
Approved: 02-May-2008
Shutoffs: (yyy),zzz,dddd,eeee,gggg

Manufacturer: Ames
Orientation: H
0.25% Pb: Yes
Renewed: 02-May-2014

Model: Maxim 200
Meters:
Spare Parts Only: No
Bypass:

Type: DC
Size: 8
Manual: 9
Approved: 02-May-2008
Shutoffs: ppp,qqq,aaaa,bbbb,nnnn

Manufacturer: Ames
Orientation: VU
0.25% Pb: No
Renewed: 02-May-2014

Model: Maxim 200
Meters:
Spare Parts Only: No
Bypass:

Type: DC
Size: 8
Manual: 9
Approved: 02-May-2008
Shutoffs: (yyy),zzz,dddd,eeee,gggg

Manufacturer: Ames
Orientation: VU
0.25% Pb: Yes
Renewed: 02-May-2014

Model: Maxim 200
Meters:
Spare Parts Only: No
Bypass:

Type: DC
Size: 10
Manual: 9
Approved: 20-Oct-2008
Shutoffs: (ppp),qqq,aaaa,bbbb

Manufacturer: Ames
Orientation: H
0.25% Pb: No
Renewed: 20-Oct-2014

Model: Maxim 200
Meters:
Spare Parts Only: No
Bypass:

Type: DC
Size: 10
Manual: 9
Approved: 20-Oct-2008
Shutoffs: yyy,zzz,dddd,eeee,gggg

Manufacturer: Ames
Orientation: H
0.25% Pb: Yes
Renewed: 20-Oct-2014

Model: Maxim 200
Meters:
Spare Parts Only: No
Bypass:

Type: DC
Size: 10
Manual: 9
Approved: 20-Oct-2008
Shutoffs: (ppp),qqq,aaaa,bbbb

Manufacturer: Ames
Orientation: VU
0.25% Pb: No
Renewed: 20-Oct-2014

Model: Maxim 200
Meters:
Spare Parts Only: No
Bypass:

Type: DC
Size: 10
Manual: 9
Approved: 20-Oct-2008
Shutoffs: yyy,zzz,dddd,eeee,gggg

Manufacturer: Ames
Orientation: VU
0.25% Pb: Yes
Renewed: 20-Oct-2014

Model: Maxim 200
Meters:
Spare Parts Only: No
Bypass:

Type: DC
Size: 2 1/2
Manual: 9
Approved: 07-Oct-2002
Shutoffs: (yyy),ppp,qqq,zzz,aaaa,bbbb,dddd,eeee,gggg,nnnnn

Manufacturer: Ames
Orientation: H
0.25% Pb: No
Renewed: 07-Oct-2014

Model: Maxim 200a
Meters:
Spare Parts Only: No
Bypass:

Type: DC
Size: 2 1/2
Manual: 9
Approved: 07-Oct-2002
Shutoffs: (yyy),ppp,qqq,zzz,aaaa,bbbb,dddd,eeee,gggg,nnnnn

Manufacturer: Ames
Orientation: VU
0.25% Pb: No
Renewed: 07-Oct-2014

Model: Maxim 200a
Meters:
Spare Parts Only: No
Bypass:

Type: DC	Manufacturer: Ames	Model: Maxim 200a
Size: 3	Orientation: H	Meters:
Manual: 9	0.25% Pb: No	Spare Parts Only: No
Approved: 07-Oct-2002	Renewed: 07-Oct-2014	Bypass:
Shutoffs: (yyy),ppp,qqq,zzz,aaaa,bbbb,dddd,eeee,gggg,nnnn		

Type: DC	Manufacturer: Ames	Model: Maxim 200a
Size: 3	Orientation: VU	Meters:
Manual: 9	0.25% Pb: No	Spare Parts Only: No
Approved: 07-Oct-2002	Renewed: 07-Oct-2014	Bypass:
Shutoffs: (yyy),ppp,qqq,zzz,aaaa,bbbb,dddd,eeee,gggg,nnnn		

Type: DC	Manufacturer: Ames	Model: Maxim 200a
Size: 4	Orientation: H	Meters:
Manual: 9	0.25% Pb: No	Spare Parts Only: No
Approved: 03-Jul-2003	Renewed: 03-Jul-2015	Bypass:
Shutoffs: (yyy),ppp,qqq,zzz,aaaa,bbbb,dddd,eeee,gggg,nnnn		

Type: DC	Manufacturer: Ames	Model: Maxim 200a
Size: 4	Orientation: VU	Meters:
Manual: 9	0.25% Pb: No	Spare Parts Only: No
Approved: 03-Jul-2003	Renewed: 03-Jul-2015	Bypass:
Shutoffs: (yyy),ppp,qqq,zzz,aaaa,bbbb,dddd,eeee,gggg,nnnn		

Type: DC	Manufacturer: Ames	Model: Maxim 200N
Size: 2 1/2	Orientation: VUVD	Meters:
Manual: 9	0.25% Pb: No	Spare Parts Only: No
Approved: 07-Apr-2009	Renewed: 07-Apr-2015	Bypass:
Shutoffs: (ppp),qqq,nnnn		

Type: DC	Manufacturer: Ames	Model: Maxim 200N
Size: 2 1/2	Orientation: VUVD	Meters:
Manual: 9	0.25% Pb: Yes	Spare Parts Only: No
Approved: 07-Apr-2009	Renewed: 07-Apr-2015	Bypass:
Shutoffs: yyy,zzz,dddd,eeee,dddd,gggg,kkkk,llll,mmmm,nnnn		

Type: DC	Manufacturer: Ames	Model: Maxim 200N
Size: 3	Orientation: VUVD	Meters:
Manual: 9	0.25% Pb: No	Spare Parts Only: No
Approved: 07-Apr-2009	Renewed: 07-Apr-2015	Bypass:
Shutoffs: (ppp),qqq,nnnn		

Type: DC	Manufacturer: Ames	Model: Maxim 200N
Size: 3	Orientation: VUVD	Meters:
Manual: 9	0.25% Pb: Yes	Spare Parts Only: No
Approved: 07-Apr-2009	Renewed: 07-Apr-2015	Bypass:
Shutoffs: yyy,zzz,dddd,eeee,dddd,gggg,kkkk,llll,mmmm,nnnn		

Type: DC	Manufacturer: Ames	Model: Maxim 200N
Size: 4	Orientation: VUVD	Meters:
Manual: 9	0.25% Pb: No	Spare Parts Only: No
Approved: 07-Apr-2009	Renewed: 07-Apr-2015	Bypass:
Shutoffs: (ppp),qqq,nnnnn		

Type: DC	Manufacturer: Ames	Model: Maxim 200N
Size: 4	Orientation: VUVD	Meters:
Manual: 9	0.25% Pb: Yes	Spare Parts Only: No
Approved: 07-Apr-2009	Renewed: 07-Apr-2015	Bypass:
Shutoffs: yyy,zzz,dddd,eeee,dddd,gggg,kkkk,llll,mmmm,nnnn		

Type: DC	Manufacturer: Ames	Model: Maxim 200N
Size: 6	Orientation: VUVD	Meters:
Manual: 9	0.25% Pb: No	Spare Parts Only: No
Approved: 03-Jan-2013	Renewed:	Bypass:
Shutoffs: ppp,qqq,aaaa,bbbb		

Type: DC	Manufacturer: Ames	Model: Maxim 200N
Size: 6	Orientation: VUVD	Meters:
Manual: 9	0.25% Pb: Yes	Spare Parts Only: No
Approved: 03-Jan-2013	Renewed:	Bypass:
Shutoffs: yyy,zzz,dddd,eeee,gggg,kkkk,llll,mmmm,nnnn		

Type: DC	Manufacturer: Ames	Model: Maxim 200N
Size: 8	Orientation: VUVD	Meters:
Manual: 9	0.25% Pb: No	Spare Parts Only: No
Approved: 01-Sep-2009	Renewed: 01-Sep-2015	Bypass:
Shutoffs: (ppp),qqq,nnnnn		

Type: DC	Manufacturer: Ames	Model: Maxim 200N
Size: 8	Orientation: VUVD	Meters:
Manual: 9	0.25% Pb: Yes	Spare Parts Only: No
Approved: 01-Sep-2009	Renewed: 01-Sep-2015	Bypass:
Shutoffs: yyy,zzz,dddd,eeee,gggg,kkkk,llll,mmmm,nnnn		

Type: DC **Manufacturer:** Ames **Model:** Maxim 200Na
Size: 2 1/2 **Orientation:** VUVD **Meters:**
Manual: 9 **0.25% Pb:** No **Spare Parts Only:** No
Approved: 20-Mar-2003 **Renewed:** 20-Mar-2015 **Bypass:**
Shutoffs: (yyy),ppp,qqq,zzz,aaaa,bbbb,dddd,eeee,gggg,nnnnn

Type: DC **Manufacturer:** Ames **Model:** Maxim 200Na
Size: 3 **Orientation:** VUVD **Meters:**
Manual: 9 **0.25% Pb:** No **Spare Parts Only:** No
Approved: 20-Mar-2003 **Renewed:** 20-Mar-2015 **Bypass:**
Shutoffs: (yyy),ppp,qqq,zzz,aaaa,bbbb,dddd,eeee,gggg,nnnnn

Type: DC **Manufacturer:** Ames **Model:** Maxim 200Na
Size: 4 **Orientation:** VUVD **Meters:**
Manual: 9 **0.25% Pb:** No **Spare Parts Only:** No
Approved: 03-Jul-2003 **Renewed:** 03-Jul-2015 **Bypass:**
Shutoffs: (yyy),ppp,qqq,zzz,aaaa,bbbb,dddd,eeee,gggg,nnnnn

Type: DC **Manufacturer:** Ames **Model:** U200B
Size: 1 **Orientation:** H **Meters:**
Manual: 9 **0.25% Pb:** No **Spare Parts Only:** No
Approved: 21-Apr-2006 **Renewed:** 21-Apr-2015 **Bypass:**
Shutoffs: (vv),xx,ooo,hhhh,pppp

Type: DC **Manufacturer:** Ames **Model:** U200B
Size: 1 **Orientation:** VD **Meters:**
Manual: 9 **0.25% Pb:** No **Spare Parts Only:** No
Approved: 21-Apr-2006 **Renewed:** 21-Apr-2015 **Bypass:**
Shutoffs: (vv),xx,ooo,hhhh,pppp

Type: DC **Manufacturer:** Ames **Model:** U200B
Size: 1 **Orientation:** VU **Meters:**
Manual: 9 **0.25% Pb:** No **Spare Parts Only:** No
Approved: 21-Apr-2006 **Renewed:** 21-Apr-2015 **Bypass:**
Shutoffs: (vv),xx,ooo,hhhh,pppp

Type: DC **Manufacturer:** Ames **Model:** U200B
Size: 1 1/4 **Orientation:** H **Meters:**
Manual: 9 **0.25% Pb:** No **Spare Parts Only:** No
Approved: 21-Apr-2006 **Renewed:** 21-Apr-2015 **Bypass:**
Shutoffs: (vv),xx,ooo,hhhh,pppp

Type: DC
Size: 1 1/4
Manual: 9
Approved: 21-Apr-2006
Shutoffs: (vv),xx,ooo,hhhh,pppp

Manufacturer: Ames
Orientation: VD
0.25% Pb: No
Renewed: 21-Apr-2015

Model: U200B
Meters:
Spare Parts Only: No
Bypass:

Type: DC
Size: 1 1/4
Manual: 9
Approved: 21-Apr-2006
Shutoffs: (vv),xx,ooo,hhhh,pppp

Manufacturer: Ames
Orientation: VU
0.25% Pb: No
Renewed: 21-Apr-2015

Model: U200B
Meters:
Spare Parts Only: No
Bypass:

Type: DC
Size: 1 1/2
Manual: 9
Approved: 21-Apr-2006
Shutoffs: (vv),xx,ooo,hhhh,pppp

Manufacturer: Ames
Orientation: H
0.25% Pb: No
Renewed: 21-Apr-2015

Model: U200B
Meters:
Spare Parts Only: No
Bypass:

Type: DC
Size: 1 1/2
Manual: 9
Approved: 21-Apr-2006
Shutoffs: (vv),xx,ooo,hhhh,pppp

Manufacturer: Ames
Orientation: VD
0.25% Pb: No
Renewed: 21-Apr-2015

Model: U200B
Meters:
Spare Parts Only: No
Bypass:

Type: DC
Size: 1 1/2
Manual: 9
Approved: 21-Apr-2006
Shutoffs: (vv),xx,ooo,hhhh,pppp

Manufacturer: Ames
Orientation: VU
0.25% Pb: No
Renewed: 21-Apr-2015

Model: U200B
Meters:
Spare Parts Only: No
Bypass:

Type: DC
Size: 2
Manual: 9
Approved: 21-Apr-2006
Shutoffs: (vv),xx,ooo,hhhh,pppp

Manufacturer: Ames
Orientation: H
0.25% Pb: No
Renewed: 21-Apr-2015

Model: U200B
Meters:
Spare Parts Only: No
Bypass:

Type: DC
Size: 2
Manual: 9
Approved: 21-Apr-2006
Shutoffs: (vv),xx,ooo,hhhh,pppp

Manufacturer: Ames
Orientation: VD
0.25% Pb: No
Renewed: 21-Apr-2015

Model: U200B
Meters:
Spare Parts Only: No
Bypass:

Type: DC	Manufacturer: Ames	Model: U200B
Size: 2	Orientation: VU	Meters:
Manual: 9	0.25% Pb: No	Spare Parts Only: No
Approved: 21-Apr-2006	Renewed: 21-Apr-2015	Bypass:
Shutoffs: (vv),xx,ooo,hhhh,pppp		

Type: DC	Manufacturer: Ames	Model: U200BR10
Size: 1/2	Orientation: H	Meters:
Manual: 9	0.25% Pb: No	Spare Parts Only: No
Approved: 21-Apr-2006	Renewed: 21-Apr-2015	Bypass:
Shutoffs: (vv),xx,ooo,hhhh,pppp		

Type: DC	Manufacturer: Ames	Model: U200BR10
Size: 1/2	Orientation: VD	Meters:
Manual: 9	0.25% Pb: No	Spare Parts Only: No
Approved: 21-Apr-2006	Renewed: 21-Apr-2015	Bypass:
Shutoffs: (vv),xx,ooo,hhhh,pppp		

Type: DC	Manufacturer: Ames	Model: U200BR10
Size: 1/2	Orientation: VU	Meters:
Manual: 9	0.25% Pb: No	Spare Parts Only: No
Approved: 21-Apr-2006	Renewed: 21-Apr-2015	Bypass:
Shutoffs: (vv),xx,ooo,hhhh,pppp		

Type: DC	Manufacturer: Ames	Model: U200BR10
Size: 3/4	Orientation: H	Meters:
Manual: 9	0.25% Pb: No	Spare Parts Only: No
Approved: 21-Apr-2006	Renewed: 21-Apr-2015	Bypass:
Shutoffs: (vv),xx,ooo,hhhh,pppp		

Type: DC	Manufacturer: Ames	Model: U200BR10
Size: 3/4	Orientation: VD	Meters:
Manual: 9	0.25% Pb: No	Spare Parts Only: No
Approved: 21-Apr-2006	Renewed: 21-Apr-2015	Bypass:
Shutoffs: (vv),xx,ooo,hhhh,pppp		

Type: DC	Manufacturer: Ames	Model: U200BR10
Size: 3/4	Orientation: VU	Meters:
Manual: 9	0.25% Pb: No	Spare Parts Only: No
Approved: 21-Apr-2006	Renewed: 21-Apr-2015	Bypass:
Shutoffs: (vv),xx,ooo,hhhh,pppp		

Type: DC	Manufacturer: Apollo/Conbraco	Model: 1/2DC
Size: 1/2	Orientation:	Meters:
Manual:	0.25% Pb: No	Spare Parts Only: No
Approved:	Renewed:	Bypass:

Notes: model designation changed to DC4S

Type: DC	Manufacturer: Apollo/Conbraco	Model: 1/2DC
Size: 1/2	Orientation:	Meters:
Manual:	0.25% Pb: No	Spare Parts Only: No
Approved:	Renewed:	Bypass:

Notes: model designation changed to DC4S

Type: DC	Manufacturer: Apollo/Conbraco	Model: 10DC
Size: 10	Orientation:	Meters:
Manual:	0.25% Pb: No	Spare Parts Only: No
Approved:	Renewed:	Bypass:

Notes: model designation changed to DC4S

Type: DC	Manufacturer: Apollo/Conbraco	Model: 10DC
Size: 10	Orientation:	Meters:
Manual:	0.25% Pb: No	Spare Parts Only: No
Approved:	Renewed:	Bypass:

Notes: model designation changed to DC4S

Type: DC	Manufacturer: Apollo/Conbraco	Model: 2 1/2DC
Size: 2 1/2	Orientation: H	Meters:
Manual: 9	0.25% Pb: No	Spare Parts Only: No
Approved: 16-Oct-2000	Renewed: 16-Oct-2012	Bypass:

Shutoffs: (ll),mm

Type: DC	Manufacturer: Apollo/Conbraco	Model: 2 1/2DC
Size: 2 1/2	Orientation: VU	Meters:
Manual: 9	0.25% Pb: No	Spare Parts Only: No
Approved: 16-Oct-2000	Renewed: 16-Oct-2012	Bypass:

Shutoffs: (ll),mm

Type: DC	Manufacturer: Apollo/Conbraco	Model: 2 1/2DC-7
Size: 2 1/2	Orientation: H	Meters:
Manual: 9	0.25% Pb: No	Spare Parts Only: No
Approved: 23-Oct-2001	Renewed: 23-Oct-2013	Bypass:

Shutoffs: (mm)[#1SOV], (qqq)[#2SOV]

Type: DC	Manufacturer: Apollo/Conbraco	Model: 2 1/2DC-7
Size: 2 1/2	Orientation: VU	Meters:
Manual: 9	0.25% Pb: No	Spare Parts Only: No
Approved: 23-Oct-2001	Renewed: 23-Oct-2013	Bypass:
Shutoffs: (mm)[#1SOV], (qqq)[#2SOV]		

Type: DC	Manufacturer: Apollo/Conbraco	Model: 2 1/2DC8
Size: 2 1/2	Orientation: H	Meters:
Manual: 9	0.25% Pb: No	Spare Parts Only: No
Approved: 29-Sep-2004	Renewed: 29-Sep-2013	Bypass:
Shutoffs: (ppp),qqq		

Type: DC	Manufacturer: Apollo/Conbraco	Model: 2 1/2DC8
Size: 2 1/2	Orientation: VU	Meters:
Manual: 9	0.25% Pb: No	Spare Parts Only: No
Approved: 29-Sep-2004	Renewed: 29-Sep-2013	Bypass:
Shutoffs: (ppp),qqq		

Type: DC	Manufacturer: Apollo/Conbraco	Model: 2 1/2DCU
Size: 2 1/2	Orientation: VUVD	Meters:
Manual: 9	0.25% Pb: No	Spare Parts Only: No
Approved: 10-Apr-2001	Renewed: 10-Apr-2013	Bypass:
Shutoffs: (ll),mm		

Type: DC	Manufacturer: Apollo/Conbraco	Model: 2 1/2DCU
Size: 2 1/2	Orientation: VUVD	Meters:
Manual: 9	0.25% Pb: No	Spare Parts Only: No
Approved: 10-Apr-2001	Renewed: 10-Apr-2013	Bypass:
Shutoffs: (ll),mm		

Type: DC	Manufacturer: Apollo/Conbraco	Model: 3DC
Size: 3	Orientation: H	Meters:
Manual: 9	0.25% Pb: No	Spare Parts Only: No
Approved: 16-Oct-2000	Renewed: 16-Oct-2012	Bypass:
Shutoffs: (ll),mm		

Type: DC	Manufacturer: Apollo/Conbraco	Model: 3DC
Size: 3	Orientation: VU	Meters:
Manual: 9	0.25% Pb: No	Spare Parts Only: No
Approved: 16-Oct-2000	Renewed: 16-Oct-2012	Bypass:
Shutoffs: (ll),mm		

Type: DC	Manufacturer: Apollo/Conbraco	Model: 3DC7
Size: 3	Orientation: H	Meters:
Manual: 9	0.25% Pb: No	Spare Parts Only: No
Approved: 23-Oct-2001	Renewed: 23-Oct-2013	Bypass:
Shutoffs: (mm)[#1SOV], (qqq)[#2SOV]		

Type: DC	Manufacturer: Apollo/Conbraco	Model: 3DC7
Size: 3	Orientation: VU	Meters:
Manual: 9	0.25% Pb: No	Spare Parts Only: No
Approved: 23-Oct-2001	Renewed: 23-Oct-2013	Bypass:
Shutoffs: (mm)[#1SOV], (qqq)[#2SOV]		

Type: DC	Manufacturer: Apollo/Conbraco	Model: 3DC8
Size: 3	Orientation: H	Meters:
Manual: 9	0.25% Pb: No	Spare Parts Only: No
Approved: 29-Sep-2004	Renewed: 29-Sep-2013	Bypass:
Shutoffs: (ppp),qqq		

Type: DC	Manufacturer: Apollo/Conbraco	Model: 3DC8
Size: 3	Orientation: VU	Meters:
Manual: 9	0.25% Pb: No	Spare Parts Only: No
Approved: 29-Sep-2004	Renewed: 29-Sep-2013	Bypass:
Shutoffs: (ppp),qqq		

Type: DC	Manufacturer: Apollo/Conbraco	Model: 3DCU
Size: 3	Orientation: VUVD	Meters:
Manual: 9	0.25% Pb: No	Spare Parts Only: No
Approved: 10-Apr-2001	Renewed: 10-Apr-2013	Bypass:
Shutoffs: (ll),mm		

Type: DC	Manufacturer: Apollo/Conbraco	Model: 3DCU
Size: 3	Orientation: VUVD	Meters:
Manual: 9	0.25% Pb: No	Spare Parts Only: No
Approved: 10-Apr-2001	Renewed: 10-Apr-2013	Bypass:
Shutoffs: (ll),mm		

Type: DC	Manufacturer: Apollo/Conbraco	Model: 40-100-02
Size: 3	Orientation: H	Meters:
Manual: 8	0.25% Pb: No	Spare Parts Only: Yes
Approved: 08-Apr-1991	Renewed: 08-Apr-2015	Bypass:
Shutoffs: tt,bb,ee,ll		

Type: DC	Manufacturer: Apollo/Conbraco	Model: 40-100-03
Size: 3	Orientation: H	Meters:
Manual: 8	0.25% Pb: No	Spare Parts Only: Yes
Approved: 08-Apr-1991	Renewed: 08-Apr-2015	Bypass:
Shutoffs: uu,cc,mm		

Type: DC	Manufacturer: Apollo/Conbraco	Model: 40-100-05
Size: 3	Orientation: H	Meters:
Manual: 8	0.25% Pb: No	Spare Parts Only: Yes
Approved: 08-Dec-1998	Renewed: 08-Dec-2013	Bypass:
Shutoffs: mmm		

Type: DC	Manufacturer: Apollo/Conbraco	Model: 40-103-02
Size: 1/2	Orientation: H	Meters:
Manual: 8	0.25% Pb: No	Spare Parts Only: Yes
Approved: 01-May-1995	Renewed: 01-May-2013	Bypass:
Shutoffs: dd		

Type: DC	Manufacturer: Apollo/Conbraco	Model: 40-104-02
Size: 3/4	Orientation: H	Meters:
Manual: 8	0.25% Pb: No	Spare Parts Only: Yes
Approved: 17-Mar-1989	Renewed: 17-Mar-2013	Bypass:
Shutoffs: dd		

Type: DC	Manufacturer: Apollo/Conbraco	Model: 40-104-99T
Size: 3/4	Orientation:	Meters:
Manual:	0.25% Pb: No	Spare Parts Only: No
Approved:	Renewed:	Bypass:
Notes: model designation changed to DC40		

Type: DC	Manufacturer: Apollo/Conbraco	Model: 40-104-A2
Size: 3/4	Orientation: H	Meters:
Manual: 8	0.25% Pb: No	Spare Parts Only: Yes
Approved: 21-Jun-1993	Renewed: 21-Jun-2014	Bypass:
Shutoffs: dd		

Type: DC	Manufacturer: Apollo/Conbraco	Model: 40-104-A2T
Size: 3/4	Orientation: H	Meters:
Manual: 8	0.25% Pb: No	Spare Parts Only: Yes
Approved: 25-Mar-1992	Renewed: 25-Mar-2013	Bypass:
Shutoffs: dd		

Type: DC **Manufacturer:** Apollo/Conbraco **Model:** 40-104-T2
Size: 3/4 **Orientation:** **Meters:**
Manual: **0.25% Pb:** No **Spare Parts Only:** No
Approved: **Renewed:** **Bypass:**
Notes: model designation changed to DC40

Type: DC **Manufacturer:** Apollo/Conbraco **Model:** 40-104-TC2
Size: 3/4 **Orientation:** **Meters:**
Manual: **0.25% Pb:** No **Spare Parts Only:** No
Approved: **Renewed:** **Bypass:**
Notes: model designation changed to DC40

Type: DC **Manufacturer:** Apollo/Conbraco **Model:** 40-105-02
Size: 1 **Orientation:** H **Meters:**
Manual: 8 **0.25% Pb:** No **Spare Parts Only:** Yes
Approved: 17-Mar-1989 **Renewed:** 17-Mar-2013 **Bypass:**
Shutoffs: dd

Type: DC **Manufacturer:** Apollo/Conbraco **Model:** 40-105-99T
Size: 1 **Orientation:** **Meters:**
Manual: **0.25% Pb:** No **Spare Parts Only:** No
Approved: **Renewed:** **Bypass:**
Notes: model designation changed to DC40

Type: DC **Manufacturer:** Apollo/Conbraco **Model:** 40-105-A2
Size: 1 **Orientation:** H **Meters:**
Manual: 8 **0.25% Pb:** No **Spare Parts Only:** Yes
Approved: 21-Jun-1993 **Renewed:** 21-Jun-2014 **Bypass:**
Shutoffs: dd

Type: DC **Manufacturer:** Apollo/Conbraco **Model:** 40-105-A2T
Size: 1 **Orientation:** H **Meters:**
Manual: 8 **0.25% Pb:** No **Spare Parts Only:** Yes
Approved: 25-Mar-1992 **Renewed:** 25-Mar-2013 **Bypass:**
Shutoffs: dd

Type: DC **Manufacturer:** Apollo/Conbraco **Model:** 40-105-T2
Size: 1 **Orientation:** **Meters:**
Manual: **0.25% Pb:** No **Spare Parts Only:** No
Approved: **Renewed:** **Bypass:**
Notes: model designation changed to DC40

Type: DC **Manufacturer:** Apollo/Conbraco **Model:** 40-105-TC2
Size: 1 **Orientation:** **Meters:**
Manual: **0.25% Pb:** No **Spare Parts Only:** No
Approved: **Renewed:** **Bypass:**
Notes: model designation changed to DC40

Type: DC **Manufacturer:** Apollo/Conbraco **Model:** 40-106-02
Size: 1 1/4 **Orientation:** H **Meters:**
Manual: 8 **0.25% Pb:** No **Spare Parts Only:** Yes
Approved: 06-Apr-1992 **Renewed:** 06-Apr-2013 **Bypass:**
Shutoffs: dd

Type: DC **Manufacturer:** Apollo/Conbraco **Model:** 40-106-99T
Size: 1 1/4 **Orientation:** **Meters:**
Manual: **0.25% Pb:** No **Spare Parts Only:** No
Approved: **Renewed:** **Bypass:**
Notes: model designation changed to DC40

Type: DC **Manufacturer:** Apollo/Conbraco **Model:** 40-106-A2
Size: 1 1/4 **Orientation:** H **Meters:**
Manual: 8 **0.25% Pb:** No **Spare Parts Only:** Yes
Approved: 21-Jun-1993 **Renewed:** 21-Jun-2014 **Bypass:**
Shutoffs: dd

Type: DC **Manufacturer:** Apollo/Conbraco **Model:** 40-106-A2T
Size: 1 1/4 **Orientation:** H **Meters:**
Manual: 8 **0.25% Pb:** No **Spare Parts Only:** Yes
Approved: 22-May-1993 **Renewed:** 22-May-2014 **Bypass:**
Shutoffs: dd

Type: DC **Manufacturer:** Apollo/Conbraco **Model:** 40-106-T2
Size: 1 1/4 **Orientation:** **Meters:**
Manual: **0.25% Pb:** No **Spare Parts Only:** No
Approved: **Renewed:** **Bypass:**
Notes: model designation changed to DC40

Type: DC **Manufacturer:** Apollo/Conbraco **Model:** 40-107-02
Size: 1 1/2 **Orientation:** H **Meters:**
Manual: 8 **0.25% Pb:** No **Spare Parts Only:** Yes
Approved: 17-Mar-1989 **Renewed:** 17-Mar-2013 **Bypass:**
Shutoffs: dd

Type: DC **Manufacturer:** Apollo/Conbraco **Model:** 40-107-99T
Size: 1 1/2 **Orientation:** **Meters:**
Manual: **0.25% Pb:** No **Spare Parts Only:** No
Approved: **Renewed:** **Bypass:**
Notes: model designation changed to DC40

Type: DC **Manufacturer:** Apollo/Conbraco **Model:** 40-107-A2
Size: 1 1/2 **Orientation:** H **Meters:**
Manual: 8 **0.25% Pb:** No **Spare Parts Only:** Yes
Approved: 22-May-1993 **Renewed:** 22-May-2014 **Bypass:**
Shutoffs: dd

Type: DC **Manufacturer:** Apollo/Conbraco **Model:** 40-107-A2T
Size: 1 1/2 **Orientation:** H **Meters:**
Manual: 8 **0.25% Pb:** No **Spare Parts Only:** Yes
Approved: 22-May-1993 **Renewed:** 22-May-2014 **Bypass:**
Shutoffs: dd

Type: DC **Manufacturer:** Apollo/Conbraco **Model:** 40-107-T2
Size: 1 1/2 **Orientation:** **Meters:**
Manual: **0.25% Pb:** No **Spare Parts Only:** No
Approved: **Renewed:** **Bypass:**
Notes: model designation changed to DC40

Type: DC **Manufacturer:** Apollo/Conbraco **Model:** 40-108-02
Size: 2 **Orientation:** H **Meters:**
Manual: 8 **0.25% Pb:** No **Spare Parts Only:** Yes
Approved: 17-Mar-1989 **Renewed:** 17-Mar-2013 **Bypass:**
Shutoffs: dd

Type: DC **Manufacturer:** Apollo/Conbraco **Model:** 40-108-99T
Size: 2 **Orientation:** **Meters:**
Manual: **0.25% Pb:** No **Spare Parts Only:** No
Approved: **Renewed:** **Bypass:**
Notes: model designation changed to DC40

Type: DC **Manufacturer:** Apollo/Conbraco **Model:** 40-108-A2
Size: 2 **Orientation:** H **Meters:**
Manual: 8 **0.25% Pb:** No **Spare Parts Only:** Yes
Approved: 22-May-1993 **Renewed:** 22-May-2014 **Bypass:**
Shutoffs: dd

Type: DC **Manufacturer:** Apollo/Conbraco **Model:** 40-108-A2T
Size: 2 **Orientation:** H **Meters:**
Manual: 8 **0.25% Pb:** No **Spare Parts Only:** Yes
Approved: 22-May-1993 **Renewed:** 22-May-2014 **Bypass:**
Shutoffs: dd

Type: DC **Manufacturer:** Apollo/Conbraco **Model:** 40-108-T2
Size: 2 **Orientation:**
Manual: **0.25% Pb:** No **Spare Parts Only:** No
Approved: **Renewed:** **Bypass:**
Notes: model designation changed to DC40

Type: DC **Manufacturer:** Apollo/Conbraco **Model:** 40-109-02
Size: 2 1/2 **Orientation:** H **Meters:**
Manual: 8 **0.25% Pb:** No **Spare Parts Only:** Yes
Approved: 08-Apr-1991 **Renewed:** 08-Apr-2015 **Bypass:**
Shutoffs: tt,bb,ee,ll

Type: DC **Manufacturer:** Apollo/Conbraco **Model:** 40-109-03
Size: 2 1/2 **Orientation:** H **Meters:**
Manual: 8 **0.25% Pb:** No **Spare Parts Only:** Yes
Approved: 08-Apr-1991 **Renewed:** 08-Apr-2015 **Bypass:**
Shutoffs: uu,cc,mm

Type: DC **Manufacturer:** Apollo/Conbraco **Model:** 40-109-05
Size: 2 1/2 **Orientation:** H **Meters:**
Manual: 8 **0.25% Pb:** No **Spare Parts Only:** Yes
Approved: 08-Dec-1998 **Renewed:** 08-Dec-2013 **Bypass:**
Shutoffs: mmm

Type: DC **Manufacturer:** Apollo/Conbraco **Model:** 40-10A-02
Size: 4 **Orientation:** H **Meters:**
Manual: 8 **0.25% Pb:** No **Spare Parts Only:** Yes
Approved: 08-Apr-1991 **Renewed:** 08-Apr-2015 **Bypass:**
Shutoffs: tt,bb,ee,ll

Type: DC **Manufacturer:** Apollo/Conbraco **Model:** 40-10A-03
Size: 4 **Orientation:** H **Meters:**
Manual: 8 **0.25% Pb:** No **Spare Parts Only:** Yes
Approved: 08-Apr-1991 **Renewed:** 08-Apr-2015 **Bypass:**
Shutoffs: uu,cc,mm

Type: DC	Manufacturer: Apollo/Conbraco	Model: 40-10A-05
Size: 4	Orientation: H	Meters:
Manual: 8	0.25% Pb: No	Spare Parts Only: Yes
Approved: 08-Dec-1998	Renewed: 08-Dec-2013	Bypass:
Shutoffs: mmm		

Type: DC	Manufacturer: Apollo/Conbraco	Model: 40-10A-06
Size: 4	Orientation: H	Meters:
Manual: 8	0.25% Pb: No	Spare Parts Only: Yes
Approved: 01-Feb-2000	Renewed: 01-Feb-2015	Bypass:
Shutoffs: mm[#1SOV], nnn[#2SOV]		

Type: DC	Manufacturer: Apollo/Conbraco	Model: 40-10C-02
Size: 6	Orientation: H	Meters:
Manual: 8	0.25% Pb: No	Spare Parts Only: Yes
Approved: 08-Apr-1991	Renewed: 08-Apr-2015	Bypass:
Shutoffs: tt,bb,ee,ll		

Type: DC	Manufacturer: Apollo/Conbraco	Model: 40-10C-03
Size: 6	Orientation: H	Meters:
Manual: 8	0.25% Pb: No	Spare Parts Only: Yes
Approved: 08-Apr-1991	Renewed: 08-Apr-2015	Bypass:
Shutoffs: uu,cc,mm		

Type: DC	Manufacturer: Apollo/Conbraco	Model: 40-10C-05
Size: 6	Orientation: H	Meters:
Manual: 8	0.25% Pb: No	Spare Parts Only: Yes
Approved: 08-Dec-1998	Renewed: 08-Dec-2013	Bypass:
Shutoffs: mmm		

Type: DC	Manufacturer: Apollo/Conbraco	Model: 40-10C-06
Size: 6	Orientation: H	Meters:
Manual: 8	0.25% Pb: No	Spare Parts Only: Yes
Approved: 01-Feb-2000	Renewed: 01-Feb-2015	Bypass:
Shutoffs: mm[#1SOV], nnn[#2SOV]		

Type: DC	Manufacturer: Apollo/Conbraco	Model: 40-10E-02
Size: 8	Orientation: H	Meters:
Manual: 8	0.25% Pb: No	Spare Parts Only: Yes
Approved: 22-Oct-1991	Renewed: 22-Oct-2012	Bypass:
Shutoffs: tt,bb,ee,ll		

Type: DC	Manufacturer: Apollo/Conbraco	Model: 40-10E-03
Size: 8	Orientation: H	Meters:
Manual: 8	0.25% Pb: No	Spare Parts Only: Yes
Approved: 22-Oct-1991	Renewed: 22-Oct-2012	Bypass:
Shutoffs: uu,cc,mm		

Type: DC	Manufacturer: Apollo/Conbraco	Model: 40-10E-06
Size: 8	Orientation: H	Meters:
Manual: 8	0.25% Pb: No	Spare Parts Only: Yes
Approved: 01-Feb-2000	Renewed: 01-Feb-2015	Bypass:
Shutoffs: mm[#1SOV], nnn[#2SOV]		

Type: DC	Manufacturer: Apollo/Conbraco	Model: 40-10G-02
Size: 10	Orientation: H	Meters:
Manual: 8	0.25% Pb: No	Spare Parts Only: Yes
Approved: 13-Apr-1993	Renewed: 13-Apr-2014	Bypass:
Shutoffs: tt,bb,ee,ll		

Type: DC	Manufacturer: Apollo/Conbraco	Model: 40-10G-03
Size: 10	Orientation: H	Meters:
Manual: 8	0.25% Pb: No	Spare Parts Only: Yes
Approved: 13-Apr-1993	Renewed: 13-Apr-2014	Bypass:
Shutoffs: uu,cc,mm		

Type: DC	Manufacturer: Apollo/Conbraco	Model: 40-10G-06
Size: 10	Orientation: H	Meters:
Manual: 8	0.25% Pb: No	Spare Parts Only: Yes
Approved: 01-Feb-2000	Renewed: 01-Feb-2015	Bypass:
Shutoffs: mm[#1SOV], nnn[#2SOV]		

Type: DC	Manufacturer: Apollo/Conbraco	Model: 4D-100
Size: 2 1/2	Orientation: H	Meters:
Manual: 9	0.25% Pb: No	Spare Parts Only: Yes
Approved: 11-Mar-2012	Renewed: 11-Mar-2015	Bypass:
Shutoffs: (yyy), cccc, dddd		

Type: DC	Manufacturer: Apollo/Conbraco	Model: 4D-100
Size: 2 1/2	Orientation: VU	Meters:
Manual: 9	0.25% Pb: No	Spare Parts Only: Yes
Approved: 11-Mar-2009	Renewed: 11-Mar-2015	Bypass:
Shutoffs: (yyy), cccc, dddd		

Type: DC **Manufacturer:** Apollo/Conbraco **Model:** 4DC
Size: 4 **Orientation:** H **Meters:**
Manual: 9 **0.25% Pb:** No **Spare Parts Only:** No
Approved: 16-Oct-2000 **Renewed:** 16-Oct-2012 **Bypass:**
Shutoffs: (ll),mm

Type: DC **Manufacturer:** Apollo/Conbraco **Model:** 4DC
Size: 4 **Orientation:** VU **Meters:**
Manual: 9 **0.25% Pb:** No **Spare Parts Only:** No
Approved: 16-Oct-2000 **Renewed:** 16-Oct-2012 **Bypass:**
Shutoffs: (ll),mm

Type: DC **Manufacturer:** Apollo/Conbraco **Model:** 4DC7
Size: 4 **Orientation:** H **Meters:**
Manual: 9 **0.25% Pb:** No **Spare Parts Only:** No
Approved: 23-Oct-2001 **Renewed:** 23-Oct-2013 **Bypass:**
Shutoffs: (mm)[#1SOV], (qqq)[#2SOV]

Type: DC **Manufacturer:** Apollo/Conbraco **Model:** 4DC7
Size: 4 **Orientation:** VU **Meters:**
Manual: 9 **0.25% Pb:** No **Spare Parts Only:** No
Approved: 23-Oct-2001 **Renewed:** 23-Oct-2013 **Bypass:**
Shutoffs: (mm)[#1SOV], (qqq)[#2SOV]

Type: DC **Manufacturer:** Apollo/Conbraco **Model:** 4DC8
Size: 4 **Orientation:** H **Meters:**
Manual: 9 **0.25% Pb:** No **Spare Parts Only:** No
Approved: 29-Sep-2004 **Renewed:** 29-Sep-2013 **Bypass:**
Shutoffs: (ppp),qqq

Type: DC **Manufacturer:** Apollo/Conbraco **Model:** 4DC8
Size: 4 **Orientation:** VU **Meters:**
Manual: 9 **0.25% Pb:** No **Spare Parts Only:** No
Approved: 29-Sep-2004 **Renewed:** 29-Sep-2013 **Bypass:**
Shutoffs: (ppp),qqq

Type: DC **Manufacturer:** Apollo/Conbraco **Model:** 4DCU
Size: 4 **Orientation:** VUVD **Meters:**
Manual: 9 **0.25% Pb:** No **Spare Parts Only:** No
Approved: 10-Apr-2001 **Renewed:** 10-Apr-2013 **Bypass:**
Shutoffs: (ll),mm

Type: DC **Manufacturer:** Apollo/Conbraco **Model:** 4S103
Size: 1/2 **Orientation:** **Meters:**
Manual: **0.25% Pb:** No **Spare Parts Only:** No
Approved: **Renewed:** **Bypass:**
Notes: model designation changed to W432100

Type: DC **Manufacturer:** Apollo/Conbraco **Model:** 4S103
Size: 1/2 **Orientation:** **Meters:**
Manual: **0.25% Pb:** No **Spare Parts Only:** No
Approved: **Renewed:** **Bypass:**
Notes: model designation changed to W432100

Type: DC **Manufacturer:** Apollo/Conbraco **Model:** 4SG-100
Size: 2 1/2 **Orientation:** **Meters:**
Manual: **0.25% Pb:** No **Spare Parts Only:** No
Approved: **Renewed:** **Bypass:**
Notes: model designation changed to DC4SG

Type: DC **Manufacturer:** Apollo/Conbraco **Model:** 4SG-100
Size: 2 1/2 **Orientation:** **Meters:**
Manual: **0.25% Pb:** No **Spare Parts Only:** No
Approved: **Renewed:** **Bypass:**
Notes: model designation changed to DC4SG

Type: DC **Manufacturer:** Apollo/Conbraco **Model:** 4SG-100
Size: 3 **Orientation:** **Meters:**
Manual: **0.25% Pb:** No **Spare Parts Only:** No
Approved: **Renewed:** **Bypass:**
Notes: model designation changed to DC4SG

Type: DC **Manufacturer:** Apollo/Conbraco **Model:** 4SG-100
Size: 3 **Orientation:** **Meters:**
Manual: **0.25% Pb:** No **Spare Parts Only:** No
Approved: **Renewed:** **Bypass:**
Notes: model designation changed to DC4SG

Type: DC **Manufacturer:** Apollo/Conbraco **Model:** 4SG-100
Size: 4 **Orientation:** **Meters:**
Manual: **0.25% Pb:** No **Spare Parts Only:** No
Approved: **Renewed:** **Bypass:**
Notes: model designation changed to DC4SG

Type: DC **Manufacturer:** Apollo/Conbraco **Model:** 6DC8
Size: 6 **Orientation:** H **Meters:**
Manual: 9 **0.25% Pb:** No **Spare Parts Only:** No
Approved: 29-Sep-2004 **Renewed:** 29-Sep-2013 **Bypass:**
Shutoffs: (ppp),qqq

Type: DC **Manufacturer:** Apollo/Conbraco **Model:** 6DC8
Size: 6 **Orientation:** VU **Meters:**
Manual: 9 **0.25% Pb:** No **Spare Parts Only:** No
Approved: 29-Sep-2004 **Renewed:** 29-Sep-2013 **Bypass:**
Shutoffs: (ppp),qqq

Type: DC **Manufacturer:** Apollo/Conbraco **Model:** 6DCU
Size: 6 **Orientation:** VUVD **Meters:**
Manual: 9 **0.25% Pb:** No **Spare Parts Only:** No
Approved: 10-Apr-2001 **Renewed:** 10-Apr-2013 **Bypass:**
Shutoffs: (ll),mm

Type: DC **Manufacturer:** Apollo/Conbraco **Model:** 8DC
Size: 8 **Orientation:** H **Meters:**
Manual: 9 **0.25% Pb:** No **Spare Parts Only:** No
Approved: 16-Jan-2003 **Renewed:** 16-Jan-2015 **Bypass:**
Shutoffs: (mm),ll

Type: DC **Manufacturer:** Apollo/Conbraco **Model:** 8DC
Size: 8 **Orientation:** VU **Meters:**
Manual: 9 **0.25% Pb:** No **Spare Parts Only:** No
Approved: 16-Jan-2003 **Renewed:** 16-Jan-2015 **Bypass:**
Shutoffs: (mm),ll

Type: DC **Manufacturer:** Apollo/Conbraco **Model:** 8DC8
Size: 8 **Orientation:** H **Meters:**
Manual: 9 **0.25% Pb:** No **Spare Parts Only:** No
Approved: 29-Sep-2004 **Renewed:** 29-Sep-2013 **Bypass:**
Shutoffs: (ppp),qqq

Type: DC **Manufacturer:** Apollo/Conbraco **Model:** 8DC8
Size: 8 **Orientation:** VU **Meters:**
Manual: 9 **0.25% Pb:** No **Spare Parts Only:** No
Approved: 29-Sep-2004 **Renewed:** 29-Sep-2013 **Bypass:**
Shutoffs: (ppp),qqq

Type: DC
Size: 1/2
Manual: 9
Approved: 27-Apr-2011
Shutoffs: (iiii),sssss

Manufacturer: Apollo/Conbraco
Orientation: VU
0.25% Pb: No
Renewed: 27-Apr-2014

Model: DC4A
Meters:
Spare Parts Only: No
Bypass:

Type: DC
Size: 3/4
Manual: 9
Approved: 27-Apr-2011
Shutoffs: (iiii),sssss

Manufacturer: Apollo/Conbraco
Orientation: H
0.25% Pb: No
Renewed: 27-Apr-2014

Model: DC4A
Meters:
Spare Parts Only: No
Bypass:

Type: DC
Size: 3/4
Manual: 9
Approved: 06-Apr-2011
Shutoffs: (iiii),sssss

Manufacturer: Apollo/Conbraco
Orientation: VU
0.25% Pb: No
Renewed: 06-Apr-2014

Model: DC4A
Meters:
Spare Parts Only: No
Bypass:

Type: DC
Size: 1
Manual: 9
Approved: 27-Sep-2011
Shutoffs: (iiii),sssss,wwwww

Manufacturer: Apollo/Conbraco
Orientation: H
0.25% Pb: No
Renewed: 27-Sep-2014

Model: DC4A
Meters:
Spare Parts Only: No
Bypass:

Type: DC
Size: 1
Manual: 9
Approved: 06-Apr-2011
Shutoffs: (iiii),sssss,wwwww

Manufacturer: Apollo/Conbraco
Orientation: VU
0.25% Pb: No
Renewed: 06-Apr-2014

Model: DC4A
Meters:
Spare Parts Only: No
Bypass:

Type: DC
Size: 1 1/4
Manual: 9
Approved: 07-Feb-2012
Shutoffs: (iiii),sssss,wwwww

Manufacturer: Apollo/Conbraco
Orientation: H
0.25% Pb: No
Renewed: 07-Feb-2015

Model: DC4A
Meters:
Spare Parts Only: No
Bypass:

Type: DC
Size: 1 1/4
Manual: 9
Approved: 07-Feb-2012
Shutoffs: (iiii),sssss,wwwww

Manufacturer: Apollo/Conbraco
Orientation: VU
0.25% Pb: No
Renewed: 07-Feb-2015

Model: DC4A
Meters:
Spare Parts Only: No
Bypass:

Type: DC **Manufacturer:** Apollo/Conbraco **Model:** DC4A
Size: 1 1/2 **Orientation:** H **Meters:**
Manual: 9 **0.25% Pb:** No **Spare Parts Only:** No
Approved: 07-Feb-2012 **Renewed:** 07-Feb-2015 **Bypass:**
Shutoffs: (iiii),sssss,wwwww

Type: DC **Manufacturer:** Apollo/Conbraco **Model:** DC4A
Size: 1 1/2 **Orientation:** VU **Meters:**
Manual: 9 **0.25% Pb:** No **Spare Parts Only:** No
Approved: 07-Feb-2012 **Renewed:** 07-Feb-2015 **Bypass:**
Shutoffs: (iiii),sssss,wwwww

Type: DC **Manufacturer:** Apollo/Conbraco **Model:** DC4A
Size: 2 **Orientation:** H **Meters:**
Manual: 9 **0.25% Pb:** No **Spare Parts Only:** No
Approved: 07-Feb-2012 **Renewed:** 07-Feb-2015 **Bypass:**
Shutoffs: (iiii),sssss,wwwww

Type: DC **Manufacturer:** Apollo/Conbraco **Model:** DC4A
Size: 2 **Orientation:** VU **Meters:**
Manual: 9 **0.25% Pb:** No **Spare Parts Only:** No
Approved: 27-Mar-2012 **Renewed:** 27-Mar-2015 **Bypass:**
Shutoffs: (iiii),sssss,wwwww

Type: DC **Manufacturer:** Apollo/Conbraco **Model:** DC4S
Size: 1/2 **Orientation:** H **Meters:**
Manual: 9 **0.25% Pb:** No **Spare Parts Only:** No
Approved: 18-Sep-2000 **Renewed:** 18-Sep-2015 **Bypass:**
Shutoffs: (dd)
Notes: formerly 1/2DC

Type: DC **Manufacturer:** Apollo/Conbraco **Model:** DC4S
Size: 1/2 **Orientation:** VU **Meters:**
Manual: 9 **0.25% Pb:** No **Spare Parts Only:** No
Approved: 18-Sep-2000 **Renewed:** 18-Sep-2015 **Bypass:**
Shutoffs: (dd)
Notes: formerly 1/2DC

Type: DC
Size: 10
Manual: 9
Approved: 16-Jan-2003
Shutoffs: (mm),ll
Notes: formerly 10DC

Manufacturer: Apollo/Conbraco
Orientation: H
0.25% Pb: No
Renewed: 16-Jan-2015

Model: DC4S
Meters:
Spare Parts Only: No
Bypass:

Type: DC
Size: 10
Manual: 9
Approved: 16-Jan-2003
Shutoffs: (mm),ll
Notes: formerly 10DC

Manufacturer: Apollo/Conbraco
Orientation: VU
0.25% Pb: No
Renewed: 16-Jan-2015

Model: DC4S
Meters:
Spare Parts Only: No
Bypass:

Type: DC
Size: 2 1/2
Manual: 9
Approved: 18-Oct-2007
Shutoffs: (yyy)ppp,qqq,ttt
Notes: formerly 4SG-100

Manufacturer: Apollo/Conbraco
Orientation: H
0.25% Pb: No
Renewed: 18-Oct-2013

Model: DC4SG
Meters:
Spare Parts Only: No
Bypass:

Type: DC
Size: 2 1/2
Manual: 9
Approved: 18-Oct-2007
Shutoffs: (yyy)ppp,qqq,ttt
Notes: formerly 4SG-100

Manufacturer: Apollo/Conbraco
Orientation: VU
0.25% Pb: No
Renewed: 18-Oct-2013

Model: DC4SG
Meters:
Spare Parts Only: No
Bypass:

Type: DC
Size: 3
Manual: 9
Approved: 25-Sep-2007
Shutoffs: (yyy)ppp,qqq,ttt
Notes: formerly 4SG-100

Manufacturer: Apollo/Conbraco
Orientation: H
0.25% Pb: No
Renewed: 25-Sep-2013

Model: DC4SG
Meters:
Spare Parts Only: No
Bypass:

Type: DC
Size: 3
Manual: 9
Approved: 25-Sep-2007
Shutoffs: (yyy)ppp,qqq,ttt
Notes: formerly 4SG-100

Manufacturer: Apollo/Conbraco
Orientation: VU
0.25% Pb: No
Renewed: 25-Sep-2013

Model: DC4SG
Meters:
Spare Parts Only: No
Bypass:

Type: DC
Size: 4
Manual: 9
Approved: 25-Sep-2007
Shutoffs: (yyy)ppp,qqq,ttt
Notes: formerly 4SG-100

Manufacturer: Apollo/Conbraco
Orientation: H
0.25% Pb: No
Renewed: 25-Sep-2013

Model: DC4SG
Meters:
Spare Parts Only: No
Bypass:

Type: DC
Size: 4
Manual: 9
Approved: 25-Sep-2007
Shutoffs: (yyy)ppp,qqq,ttt
Notes: formerly 4SG-100

Manufacturer: Apollo/Conbraco
Orientation: VU
0.25% Pb: No
Renewed: 25-Sep-2013

Model: DC4SG
Meters:
Spare Parts Only: No
Bypass:

Type: DC
Size: 6
Manual: 9
Approved: 25-Sep-2007
Shutoffs: (yyy)ppp,qqq,ttt
Notes: formerly 4SG-100

Manufacturer: Apollo/Conbraco
Orientation: H
0.25% Pb: No
Renewed: 25-Sep-2013

Model: DC4SG
Meters:
Spare Parts Only: No
Bypass:

Type: DC
Size: 6
Manual: 9
Approved: 25-Sep-2007
Shutoffs: (yyy)ppp,qqq,ttt
Notes: formerly 4SG-100

Manufacturer: Apollo/Conbraco
Orientation: VU
0.25% Pb: No
Renewed: 25-Sep-2013

Model: DC4SG
Meters:
Spare Parts Only: No
Bypass:

Type: DC
Size: 8
Manual: 9
Approved: 25-Sep-2007
Shutoffs: (yyy)ppp,qqq,ttt
Notes: formerly 4SG-100

Manufacturer: Apollo/Conbraco
Orientation: H
0.25% Pb: No
Renewed: 25-Sep-2013

Model: DC4SG
Meters:
Spare Parts Only: No
Bypass:

Type: DC
Size: 8
Manual: 9
Approved: 25-Sep-2007
Shutoffs: (yyy)ppp,qqq,ttt
Notes: formerly 4SG-100

Manufacturer: Apollo/Conbraco
Orientation: VU
0.25% Pb: No
Renewed: 25-Sep-2013

Model: DC4SG
Meters:
Spare Parts Only: No
Bypass:

Type: DC
Size: 2 1/2
Manual: 9
Approved: 18-Oct-2007
Shutoffs: (yyy)ppp,qqq,ttt
Notes: formerly 4SG-100U

Manufacturer: Apollo/Conbraco
Orientation: VUVD
0.25% Pb: No
Renewed: 18-Oct-2013

Model: DC4SGN
Meters:
Spare Parts Only: No
Bypass:

Type: DC
Size: 3
Manual: 9
Approved: 18-Oct-2007
Shutoffs: (yyy)ppp,qqq,ttt
Notes: formerly 4SG-100U

Manufacturer: Apollo/Conbraco
Orientation: VUVD
0.25% Pb: No
Renewed: 18-Oct-2013

Model: DC4SGN
Meters:
Spare Parts Only: No
Bypass:

Type: DC
Size: 4
Manual: 9
Approved: 18-Oct-2007
Shutoffs: (yyy)ppp,qqq,ttt
Notes: formerly 4SG-100U

Manufacturer: Apollo/Conbraco
Orientation: VUVD
0.25% Pb: No
Renewed: 18-Oct-2013

Model: DC4SGN
Meters:
Spare Parts Only: No
Bypass:

Type: DC
Size: 6
Manual: 9
Approved: 25-Sep-2007
Shutoffs: (yyy)ppp,qqq,ttt
Notes: formerly 4SG-100U

Manufacturer: Apollo/Conbraco
Orientation: VUVD
0.25% Pb: No
Renewed: 25-Sep-2013

Model: DC4SGN
Meters:
Spare Parts Only: No
Bypass:

Type: DC
Size: 8
Manual: 9
Approved: 25-Sep-2007
Shutoffs: (yyy)ppp,qqq,ttt
Notes: formerly 4SG-100U

Manufacturer: Apollo/Conbraco
Orientation: VUVD
0.25% Pb: No
Renewed: 25-Sep-2013

Model: DC4SGN
Meters:
Spare Parts Only: No
Bypass:

Type: DC
Size: 1/2
Manual: 10
Approved: 27-Apr-2011
Shutoffs: (jjjj),tttt, uuuuu

Manufacturer: Apollo/Conbraco
Orientation: H
0.25% Pb: Yes
Renewed: 27-Apr-2014

Model: DCLF4A
Meters:
Spare Parts Only: No
Bypass:

Type: DC
Size: 1/2
Manual: 10
Approved: 27-Apr-2011
Shutoffs: (jjjj),tttt, uuuuu

Manufacturer: Apollo/Conbraco
Orientation: VU
0.25% Pb: Yes
Renewed: 27-Apr-2014

Model: DCLF4A
Meters:
Spare Parts Only: No
Bypass:

Type: DC
Size: 3/4
Manual: 9
Approved: 27-Apr-2011
Shutoffs: (jjjj),tttt

Manufacturer: Apollo/Conbraco
Orientation: H
0.25% Pb: Yes
Renewed: 27-Apr-2014

Model: DCLF4A
Meters:
Spare Parts Only: No
Bypass:

Type: DC
Size: 3/4
Manual: 9
Approved: 06-Apr-2011
Shutoffs: (jjjj),tttt

Manufacturer: Apollo/Conbraco
Orientation: VU
0.25% Pb: Yes
Renewed: 06-Apr-2014

Model: DCLF4A
Meters:
Spare Parts Only: No
Bypass:

Type: DC
Size: 1
Manual: 9
Approved: 27-Sep-2011
Shutoffs: (jjjj),tttt,vvvvv

Manufacturer: Apollo/Conbraco
Orientation: H
0.25% Pb: Yes
Renewed: 27-Sep-2014

Model: DCLF4A
Meters:
Spare Parts Only: No
Bypass:

Type: DC
Size: 1
Manual: 9
Approved: 06-Apr-2011
Shutoffs: (jjjj),tttt,vvvvv

Manufacturer: Apollo/Conbraco
Orientation: VU
0.25% Pb: Yes
Renewed: 06-Apr-2014

Model: DCLF4A
Meters:
Spare Parts Only: No
Bypass:

Type: DC
Size: 1 1/4
Manual: 9
Approved: 07-Feb-2012
Shutoffs: (jjjj),tttt,vvvvv

Manufacturer: Apollo/Conbraco
Orientation: H
0.25% Pb: Yes
Renewed: 07-Feb-2015

Model: DCLF4A
Meters:
Spare Parts Only: No
Bypass:

Type: DC
Size: 1 1/4
Manual: 9
Approved: 07-Feb-2012
Shutoffs: (jjjj),tttt,vvvvv

Manufacturer: Apollo/Conbraco
Orientation: VU
0.25% Pb: Yes
Renewed: 07-Feb-2015

Model: DCLF4A
Meters:
Spare Parts Only: No
Bypass:

Type: DC
Size: 1 1/2
Manual: 9
Approved: 07-Feb-2012
Shutoffs: (jjjjj),ttttt,vvvvv
Manufacturer: Apollo/Conbraco
Orientation: H
0.25% Pb: Yes
Renewed: 07-Feb-2015
Model: DCLF4A
Meters:
Spare Parts Only: No
Bypass:

Type: DC
Size: 1 1/2
Manual: 9
Approved: 07-Feb-2012
Shutoffs: (jjjjj),ttttt,vvvvv
Manufacturer: Apollo/Conbraco
Orientation: VU
0.25% Pb: Yes
Renewed: 07-Feb-2015
Model: DCLF4A
Meters:
Spare Parts Only: No
Bypass:

Type: DC
Size: 2
Manual: 9
Approved: 07-Feb-2012
Shutoffs: (jjjjj),ttttt,vvvvv
Manufacturer: Apollo/Conbraco
Orientation: H
0.25% Pb: Yes
Renewed: 07-Feb-2015
Model: DCLF4A
Meters:
Spare Parts Only: No
Bypass:

Type: DC
Size: 2
Manual: 9
Approved: 27-Mar-2012
Shutoffs: (jjjjj),ttttt,vvvvv
Manufacturer: Apollo/Conbraco
Orientation: VU
0.25% Pb: Yes
Renewed: 27-Mar-2015
Model: DCLF4A
Meters:
Spare Parts Only: No
Bypass:

Type: DC
Size: 2 1/2
Manual: 10
Approved: 05-Nov-2013
Shutoffs: (yyy), cccc, dddd, mmmm, nnnn
Manufacturer: Apollo/Conbraco
Orientation: H
0.25% Pb: Yes
Renewed:
Model: DCLF4A
Meters:
Spare Parts Only: No
Bypass:

Type: DC
Size: 2 1/2
Manual: 10
Approved: 05-Nov-2013
Shutoffs: (yyy), cccc, dddd, mmmm, nnnn
Manufacturer: Apollo/Conbraco
Orientation: VU
0.25% Pb: Yes
Renewed:
Model: DCLF4A
Meters:
Spare Parts Only: No
Bypass:

Type: DC
Size: 3
Manual: 10
Approved: 05-Nov-2013
Shutoffs: (yyy), cccc, dddd, mmmm, nnnn
Manufacturer: Apollo/Conbraco
Orientation: H
0.25% Pb: Yes
Renewed:
Model: DCLF4A
Meters:
Spare Parts Only: No
Bypass:

Type: DC **Manufacturer:** Apollo/Conbraco **Model:** DCLF4A
Size: 3 **Orientation:** VU **Meters:**
Manual: 10 **0.25% Pb:** Yes **Spare Parts Only:** No
Approved: 05-Nov-2013 **Renewed:** **Bypass:**
Shutoffs: (yyy), cccc, dddd, mmmm, nnnn

Type: DC **Manufacturer:** Apollo/Conbraco **Model:** DCLF4A
Size: 4 **Orientation:** H **Meters:**
Manual: 10 **0.25% Pb:** Yes **Spare Parts Only:** No
Approved: 24-Jun-2013 **Renewed:** **Bypass:**
Shutoffs: (yyy), cccc, dddd, mmmm, nnnn

Type: DC **Manufacturer:** Apollo/Conbraco **Model:** DCLF4A
Size: 4 **Orientation:** VU **Meters:**
Manual: 10 **0.25% Pb:** Yes **Spare Parts Only:** No
Approved: 24-Jun-2013 **Renewed:** **Bypass:**
Shutoffs: (yyy), cccc, dddd, mmmm, nnnn

Type: DC **Manufacturer:** Apollo/Conbraco **Model:** DCLF4A
Size: 6 **Orientation:** H **Meters:**
Manual: 10 **0.25% Pb:** Yes **Spare Parts Only:** No
Approved: 24-Jun-2013 **Renewed:** **Bypass:**
Shutoffs: (yyy), cccc, dddd, mmmm, nnnn

Type: DC **Manufacturer:** Apollo/Conbraco **Model:** DCLF4A
Size: 6 **Orientation:** VU **Meters:**
Manual: 10 **0.25% Pb:** Yes **Spare Parts Only:** No
Approved: 24-Jun-2013 **Renewed:** **Bypass:**
Shutoffs: (yyy), cccc, dddd, mmmm, nnnn

Type: DC **Manufacturer:** Apollo/Conbraco **Model:** DCLF4A
Size: 8 **Orientation:** H **Meters:**
Manual: 10 **0.25% Pb:** Yes **Spare Parts Only:** No
Approved: 15-May-2014 **Renewed:** **Bypass:**
Shutoffs: (yyy), cccc, dddd, mmmm, nnnn

Type: DC **Manufacturer:** Apollo/Conbraco **Model:** DCLF4A
Size: 8 **Orientation:** VU **Meters:**
Manual: 10 **0.25% Pb:** Yes **Spare Parts Only:** No
Approved: 15-May-2014 **Renewed:** **Bypass:**
Shutoffs: (yyy), cccc, dddd, mmmm, nnnn

Type: DC **Manufacturer:** Apollo/Conbraco **Model:** DCLF4AN
Size: 2 1/2 **Orientation:** VUVD **Meters:**
Manual: 10 **0.25% Pb:** Yes **Spare Parts Only:** No
Approved: 10-Jun-2014 **Renewed:** **Bypass:**
Shutoffs: (yyy), cccc, dddd, mmmm, nnnn

Type: DC **Manufacturer:** Apollo/Conbraco **Model:** DCLF4AN
Size: 3 **Orientation:** VUVD **Meters:**
Manual: 10 **0.25% Pb:** Yes **Spare Parts Only:** No
Approved: 08-Apr-2014 **Renewed:** **Bypass:**
Shutoffs: (yyy), cccc, dddd, mmmm, nnnn

Type: DC **Manufacturer:** Apollo/Conbraco **Model:** DCLF4AN
Size: 4 **Orientation:** VUVD **Meters:**
Manual: 10 **0.25% Pb:** Yes **Spare Parts Only:** No
Approved: 22-Nov-2013 **Renewed:** **Bypass:**
Shutoffs: (yyy), cccc, dddd, mmmm, nnnn

Type: DC **Manufacturer:** Apollo/Conbraco **Model:** DCLF4AN
Size: 6 **Orientation:** VUVD **Meters:**
Manual: 10 **0.25% Pb:** Yes **Spare Parts Only:** No
Approved: 15-Apr-2014 **Renewed:** **Bypass:**
Shutoffs: (yyy), cccc, dddd, mmmm, nnnn

Type: DC **Manufacturer:** Apollo/Conbraco **Model:** DCLF4AN
Size: 8 **Orientation:** VUVD **Meters:**
Manual: 10 **0.25% Pb:** Yes **Spare Parts Only:** No
Approved: 20-Feb-2014 **Renewed:** **Bypass:**
Shutoffs: (yyy), cccc, dddd, mmmm, nnnn

Type: DC **Manufacturer:** Apollo/Conbraco **Model:** DCLF4AR
Size: 4 **Orientation:** H **Meters:**
Manual: 10 **0.25% Pb:** No **Spare Parts Only:** No
Approved: 21-Sep-2015 **Renewed:** **Bypass:**
Shutoffs: (cccc), dddd, mmmm, nnnn

Notes: Integral Stainless Steel grooved spool between the #2 ck and #2 SOV - assembly length: min. 37 3/8" and max. 62 1/4"

Type: DC **Manufacturer:** Apollo/Conbraco **Model:** DCLF4AR
Size: 4 **Orientation:** VU **Meters:**
Manual: 10 **0.25% Pb:** No **Spare Parts Only:** No
Approved: 21-Sep-2015 **Renewed:** **Bypass:**
Shutoffs: (cccc), dddd, mmmm, nnnn
Notes: Integral Stainless Steel grooved spool between the #2 ck and #2 SOV - assembly length: min. 37 3/8" and max. 62 1/4"

Type: DC **Manufacturer:** Apollo/Conbraco **Model:** DCLF4AR
Size: 6 **Orientation:** H **Meters:**
Manual: 10 **0.25% Pb:** No **Spare Parts Only:** No
Approved: 21-Sep-2015 **Renewed:** **Bypass:**
Shutoffs: (cccc), dddd, mmmm, nnnn
Notes: Integral Stainless Steel grooved spool between the #2 ck and #2 SOV - assembly length: min. 46" and max. 71 1/4"

Type: DC **Manufacturer:** Apollo/Conbraco **Model:** DCLF4AR
Size: 6 **Orientation:** VU **Meters:**
Manual: 10 **0.25% Pb:** No **Spare Parts Only:** No
Approved: 21-Sep-2015 **Renewed:** **Bypass:**
Shutoffs: (cccc), dddd, mmmm, nnnn
Notes: Integral Stainless Steel grooved spool between the #2 ck and #2 SOV - assembly length: min. 46" and max. 71 1/4"

Type: DC **Manufacturer:** Apollo/Conbraco **Model:** DCLF4SG
Size: 2 1/2 **Orientation:** H **Meters:**
Manual: 9 **0.25% Pb:** Yes **Spare Parts Only:** No
Approved: 23-Jan-2015 **Renewed:** **Bypass:**
Shutoffs: (yyy), cccc, dddd, mmmm, nnnn

Type: DC **Manufacturer:** Apollo/Conbraco **Model:** DCLF4SG
Size: 2 1/2 **Orientation:** VU **Meters:**
Manual: 9 **0.25% Pb:** Yes **Spare Parts Only:** No
Approved: 23-Jan-2015 **Renewed:** **Bypass:**
Shutoffs: (yyy), cccc, dddd, mmmm, nnnn

Type: DC **Manufacturer:** Apollo/Conbraco **Model:** DCLF4SG
Size: 3 **Orientation:** H **Meters:**
Manual: 9 **0.25% Pb:** Yes **Spare Parts Only:** No
Approved: 23-Jan-2015 **Renewed:** **Bypass:**
Shutoffs: (yyy), cccc, dddd, mmmm, nnnn

Type: DC	Manufacturer: Apollo/Conbraco	Model: DCLF4SG
Size: 3	Orientation: VU	Meters:
Manual: 9	0.25% Pb: Yes	Spare Parts Only: No
Approved: 23-Jan-2015	Renewed:	Bypass:
Shutoffs: (yyy), cccc, dddd, mmmm, nnnn		

Type: DC	Manufacturer: Apollo/Conbraco	Model: DCLF4SG
Size: 4	Orientation: H	Meters:
Manual: 9	0.25% Pb: Yes	Spare Parts Only: No
Approved: 23-Jan-2015	Renewed:	Bypass:
Shutoffs: (yyy), cccc, dddd, mmmm, nnnn		

Type: DC	Manufacturer: Apollo/Conbraco	Model: DCLF4SG
Size: 4	Orientation: VU	Meters:
Manual: 9	0.25% Pb: Yes	Spare Parts Only: No
Approved: 23-Jan-2015	Renewed:	Bypass:
Shutoffs: (yyy), cccc, dddd, mmmm, nnnn		

Type: DC	Manufacturer: Apollo/Conbraco	Model: DCLF4SG
Size: 6	Orientation: H	Meters:
Manual: 9	0.25% Pb: Yes	Spare Parts Only: No
Approved: 23-Jan-2015	Renewed:	Bypass:
Shutoffs: (yyy), cccc, dddd, mmmm, nnnn		

Type: DC	Manufacturer: Apollo/Conbraco	Model: DCLF4SG
Size: 6	Orientation: VU	Meters:
Manual: 9	0.25% Pb: Yes	Spare Parts Only: No
Approved: 23-Jan-2015	Renewed:	Bypass:
Shutoffs: (yyy), cccc, dddd, mmmm, nnnn		

Type: DC	Manufacturer: Apollo/Conbraco	Model: W432100
Size: 1/2	Orientation: H	Meters:
Manual: 9	0.25% Pb: No	Spare Parts Only: No
Approved: 18-Oct-2007	Renewed: 18-Oct-2013	Bypass:
Shutoffs: (dd)		
Notes: formerly 4S103		

Type: DC **Manufacturer:** Apollo/Conbraco **Model:** W432100
Size: 1/2 **Orientation:** VU **Meters:**
Manual: 9 **0.25% Pb:** No **Spare Parts Only:** No
Approved: 18-Oct-2007 **Renewed:** 18-Oct-2013 **Bypass:**
Shutoffs: (dd)
Notes: formerly 4S103

Type: DC **Manufacturer:** ARI **Model:** DC 500
Size: 1/2 **Orientation:** H **Meters:**
Manual: 9 **0.25% Pb:** No **Spare Parts Only:** No
Approved: 03-Jan-2013 **Renewed:** **Bypass:**
Shutoffs: (oooo), ii, ooo

Type: DC **Manufacturer:** ARI **Model:** DC 500
Size: 1/2 **Orientation:** H **Meters:**
Manual: 9 **0.25% Pb:** Yes **Spare Parts Only:** No
Approved: 18-Feb-2014 **Renewed:** **Bypass:**
Shutoffs: (oooo)

Type: DC **Manufacturer:** ARI **Model:** DC 500
Size: 3/4 **Orientation:** H **Meters:**
Manual: 9 **0.25% Pb:** No **Spare Parts Only:** No
Approved: 02-Mar-2007 **Renewed:** 02-Mar-2013 **Bypass:**
Shutoffs: (ii),ooo, ooooo

Type: DC **Manufacturer:** ARI **Model:** DC 500
Size: 3/4 **Orientation:** H **Meters:**
Manual: 9 **0.25% Pb:** Yes **Spare Parts Only:** No
Approved: 18-Feb-2014 **Renewed:** **Bypass:**
Shutoffs: (oooo)

Type: DC **Manufacturer:** ARI **Model:** DC 500
Size: 1 **Orientation:** H **Meters:**
Manual: 9 **0.25% Pb:** No **Spare Parts Only:** No
Approved: 02-Mar-2007 **Renewed:** 02-Mar-2013 **Bypass:**
Shutoffs: (ii),ooo, ooooo

Type: DC
Size: 1
Manual: 9
Approved: 18-Feb-2014
Shutoffs: (00000)

Manufacturer: ARI
Orientation: H
0.25% Pb: Yes
Renewed:

Model: DC 500
Meters:
Spare Parts Only: No
Bypass:

Type: DC
Size: 1 1/4
Manual: 10
Approved: 08-Jan-2014
Shutoffs: (00000)

Manufacturer: ARI
Orientation: H
0.25% Pb: Yes
Renewed:

Model: DC 500
Meters:
Spare Parts Only: No
Bypass:

Type: DC
Size: 1 1/2
Manual: 10
Approved: 08-Jan-2014
Shutoffs: (00000)

Manufacturer: ARI
Orientation: H
0.25% Pb: Yes
Renewed:

Model: DC 500
Meters:
Spare Parts Only: No
Bypass:

Type: DC
Size: 2
Manual: 10
Approved: 08-Jan-2014
Shutoffs: (00000)

Manufacturer: ARI
Orientation: H
0.25% Pb: Yes
Renewed:

Model: DC 500
Meters:
Spare Parts Only: No
Bypass:

Type: DC
Size: 4
Manual: 10
Approved: 30-Sep-2015
Shutoffs: (int)

Manufacturer: Backflow Direct
Orientation: H
0.25% Pb: Yes
Renewed:

Model: Deringer 20
Meters:
Spare Parts Only: No
Bypass:

Type: DC
Size: 4
Manual: 10
Approved: 30-Sep-2015
Shutoffs: (int)

Manufacturer: Backflow Direct
Orientation: VU
0.25% Pb: Yes
Renewed:

Model: Deringer 20
Meters:
Spare Parts Only: No
Bypass:

Type: DC
Size: 3/4
Manual: 9
Approved: 19-Apr-2012
Shutoffs: (ii),000

Manufacturer: Cash Acme
Orientation: H
0.25% Pb: Yes
Renewed: 19-Apr-2015

Model: DC 500
Meters:
Spare Parts Only: No
Bypass:

Type: DC
Size: 1
Manual: 9
Approved: 19-Apr-2012
Shutoffs: (ii),ooo

Manufacturer: Cash Acme
Orientation: H
0.25% Pb: Yes
Renewed: 19-Apr-2015

Model: DC 500
Meters:
Spare Parts Only: No
Bypass:

Type: DC
Size: 3/4
Manual: 8
Approved: 20-Oct-2008
Shutoffs: (ii)

Manufacturer: Cash Acme
Orientation: H
0.25% Pb: No
Renewed: 20-Oct-2014

Model: DC100
Meters:
Spare Parts Only: No
Bypass:

Type: DC
Size: 1
Manual: 8
Approved: 20-Oct-2008
Shutoffs: (ii)

Manufacturer: Cash Acme
Orientation: H
0.25% Pb: No
Renewed: 20-Oct-2014

Model: DC100
Meters:
Spare Parts Only: No
Bypass:

Type: DC
Size: 1 1/2
Manual: 8
Approved: 20-Oct-2008
Shutoffs: (ii)

Manufacturer: Cash Acme
Orientation: H
0.25% Pb: No
Renewed: 20-Oct-2014

Model: DC100
Meters:
Spare Parts Only: No
Bypass:

Type: DC
Size: 2
Manual: 8
Approved: 20-Oct-2008
Shutoffs: (ii)

Manufacturer: Cash Acme
Orientation: H
0.25% Pb: No
Renewed: 20-Oct-2014

Model: DC100
Meters:
Spare Parts Only: No
Bypass:

Type: DC
Size: 8
Manual: 8
Approved: 22-Jun-1989
Shutoffs: (gg),hh,qq,rr

Manufacturer: Cla-Val
Orientation: H
0.25% Pb: No
Renewed: 22-Jun-2013

Model: D4
Meters:
Spare Parts Only: Yes
Bypass:

Type: DC
Size: 10
Manual: 8
Approved: 22-Jun-1989
Shutoffs: (gg),hh,qq,rr

Manufacturer: Cla-Val
Orientation: H
0.25% Pb: No
Renewed: 22-Jun-2013

Model: D4
Meters:
Spare Parts Only: Yes
Bypass:

Type: DC **Manufacturer:** Febco **Model:** 750
Size: 3 **Orientation:** VU **Meters:**
Manual: 9 **0.25% Pb:** No **Spare Parts Only:** No
Approved: 17-Sep-2009 **Renewed:** 17-Sep-2015 **Bypass:**
Shutoffs: (ppp),qqq

Type: DC **Manufacturer:** Febco **Model:** 750
Size: 3 **Orientation:** VU **Meters:**
Manual: 9 **0.25% Pb:** Yes **Spare Parts Only:** No
Approved: 17-Sep-2009 **Renewed:** 17-Sep-2015 **Bypass:**
Shutoffs: yyy,zzz,dddd,eeee,dddd,gggg,kkkk,llll,mmmm,nnnn

Type: DC **Manufacturer:** Febco **Model:** 750
Size: 4 **Orientation:** H **Meters:**
Manual: 9 **0.25% Pb:** No **Spare Parts Only:** No
Approved: 17-Sep-2009 **Renewed:** 17-Sep-2015 **Bypass:**
Shutoffs: (ppp),qqq

Type: DC **Manufacturer:** Febco **Model:** 750
Size: 4 **Orientation:** H **Meters:**
Manual: 9 **0.25% Pb:** Yes **Spare Parts Only:** No
Approved: 17-Sep-2009 **Renewed:** 17-Sep-2015 **Bypass:**
Shutoffs: yyy,zzz,dddd,eeee,dddd,gggg,kkkk,llll,mmmm,nnnn

Type: DC **Manufacturer:** Febco **Model:** 750
Size: 4 **Orientation:** VU **Meters:**
Manual: 9 **0.25% Pb:** No **Spare Parts Only:** No
Approved: 17-Sep-2009 **Renewed:** 17-Sep-2015 **Bypass:**
Shutoffs: (ppp),qqq

Type: DC **Manufacturer:** Febco **Model:** 750
Size: 4 **Orientation:** VU **Meters:**
Manual: 9 **0.25% Pb:** Yes **Spare Parts Only:** No
Approved: 17-Sep-2009 **Renewed:** 17-Sep-2015 **Bypass:**
Shutoffs: yyy,zzz,dddd,eeee,dddd,gggg,kkkk,llll,mmmm,nnnn

Type: DC **Manufacturer:** Febco **Model:** 750
Size: 6 **Orientation:** H **Meters:**
Manual: 9 **0.25% Pb:** No **Spare Parts Only:** No
Approved: 17-Sep-2009 **Renewed:** 17-Sep-2015 **Bypass:**
Shutoffs: (ppp),qqq,aaaa,bbbb

Type: DC	Manufacturer: Febco	Model: 750
Size: 6	Orientation: H	Meters:
Manual: 9	0.25% Pb: Yes	Spare Parts Only: No
Approved: 17-Sep-2009	Renewed: 17-Sep-2015	Bypass:
Shutoffs: zzz,dddd,eeee,ffff,gggg,kkkk,llll,mmmm,nnnn		

Type: DC	Manufacturer: Febco	Model: 750
Size: 6	Orientation: VU	Meters:
Manual: 9	0.25% Pb: No	Spare Parts Only: No
Approved: 17-Sep-2009	Renewed: 17-Sep-2015	Bypass:
Shutoffs: (ppp),qqq,aaaa,bbbb		

Type: DC	Manufacturer: Febco	Model: 750
Size: 6	Orientation: VU	Meters:
Manual: 9	0.25% Pb: Yes	Spare Parts Only: No
Approved: 17-Sep-2009	Renewed: 17-Sep-2015	Bypass:
Shutoffs: zzz,dddd,eeee,ffff,gggg,kkkk,llll,mmmm,nnnn		

Type: DC	Manufacturer: Febco	Model: 750
Size: 8	Orientation: H	Meters:
Manual: 9	0.25% Pb: No	Spare Parts Only: No
Approved: 17-Sep-2009	Renewed: 17-Sep-2015	Bypass:
Shutoffs: (yyy),ppp,qqq,aaaa,bbbb		

Type: DC	Manufacturer: Febco	Model: 750
Size: 8	Orientation: H	Meters:
Manual: 9	0.25% Pb: Yes	Spare Parts Only: No
Approved: 17-Sep-2009	Renewed: 17-Sep-2015	Bypass:
Shutoffs: (yyy),zzz,dddd,eeee,gggg,kkkk,llll,mmmm,nnnn		

Type: DC	Manufacturer: Febco	Model: 750
Size: 8	Orientation: VU	Meters:
Manual: 9	0.25% Pb: No	Spare Parts Only: No
Approved: 17-Sep-2009	Renewed: 17-Sep-2015	Bypass:
Shutoffs: (yyy),ppp,qqq,aaaa,bbbb		

Type: DC	Manufacturer: Febco	Model: 750
Size: 8	Orientation: VU	Meters:
Manual: 9	0.25% Pb: Yes	Spare Parts Only: No
Approved: 17-Sep-2009	Renewed: 17-Sep-2015	Bypass:
Shutoffs: (yyy),zzz,dddd,eeee,gggg,kkkk,llll,mmmm,nnnn		

Type: DC
Size: 10
Manual: 9
Approved: 17-Sep-2009
Shutoffs: (ppp),qqq,aaaa,bbbb

Manufacturer: Febco
Orientation: H
0.25% Pb: No
Renewed: 17-Sep-2015

Model: 750
Meters:
Spare Parts Only: No
Bypass:

Type: DC
Size: 10
Manual: 9
Approved: 17-Sep-2009
Shutoffs: yyy,zzz,dddd,eeee,ffff,gggg,kkkk,llll,mmmm,nnnn

Manufacturer: Febco
Orientation: H
0.25% Pb: Yes
Renewed: 17-Sep-2015

Model: 750
Meters:
Spare Parts Only: No
Bypass:

Type: DC
Size: 10
Manual: 9
Approved: 17-Sep-2009
Shutoffs: (ppp),qqq,aaaa,bbbb

Manufacturer: Febco
Orientation: VU
0.25% Pb: No
Renewed: 17-Sep-2015

Model: 750
Meters:
Spare Parts Only: No
Bypass:

Type: DC
Size: 10
Manual: 9
Approved: 17-Sep-2009
Shutoffs: yyy,zzz,dddd,eeee,ffff,gggg,kkkk,llll,mmmm,nnnn

Manufacturer: Febco
Orientation: VU
0.25% Pb: Yes
Renewed: 17-Sep-2015

Model: 750
Meters:
Spare Parts Only: No
Bypass:

Type: DC
Size: 2 1/2
Manual: 9
Approved: 17-Sep-2009
Shutoffs: (ppp),qqq

Manufacturer: Febco
Orientation: VUVD
0.25% Pb: No
Renewed: 17-Sep-2015

Model: 750N
Meters:
Spare Parts Only: No
Bypass:

Type: DC
Size: 2 1/2
Manual: 9
Approved: 17-Sep-2009
Shutoffs: zzz,dddd,eeee,dddd,gggg,kkkk,llll,mmmm,nnnn

Manufacturer: Febco
Orientation: VUVD
0.25% Pb: Yes
Renewed: 17-Sep-2015

Model: 750N
Meters:
Spare Parts Only: No
Bypass:

Type: DC
Size: 3
Manual: 9
Approved: 17-Sep-2009
Shutoffs: (ppp),qqq

Manufacturer: Febco
Orientation: VUVD
0.25% Pb: No
Renewed: 17-Sep-2015

Model: 750N
Meters:
Spare Parts Only: No
Bypass:

Type: DC **Manufacturer:** Febco **Model:** 750N
Size: 3 **Orientation:** VUVD **Meters:**
Manual: 9 **0.25% Pb:** Yes **Spare Parts Only:** No
Approved: 17-Sep-2009 **Renewed:** 17-Sep-2015 **Bypass:**
Shutoffs: zzz,dddd,eeee,dddd,gggg,kkkk,llll,mmmm,nnnn

Type: DC **Manufacturer:** Febco **Model:** 750N
Size: 4 **Orientation:** VUVD **Meters:**
Manual: 9 **0.25% Pb:** No **Spare Parts Only:** No
Approved: 17-Sep-2009 **Renewed:** 17-Sep-2015 **Bypass:**
Shutoffs: (ppp),qqq

Type: DC **Manufacturer:** Febco **Model:** 750N
Size: 4 **Orientation:** VUVD **Meters:**
Manual: 9 **0.25% Pb:** Yes **Spare Parts Only:** No
Approved: 17-Sep-2009 **Renewed:** 17-Sep-2015 **Bypass:**
Shutoffs: zzz,dddd,eeee,dddd,gggg,kkkk,llll,mmmm,nnnn

Type: DC **Manufacturer:** Febco **Model:** 750N
Size: 6 **Orientation:** VUVD **Meters:**
Manual: 9 **0.25% Pb:** No **Spare Parts Only:** No
Approved: 17-Sep-2009 **Renewed:** 17-Sep-2015 **Bypass:**
Shutoffs: (ppp),qqq

Type: DC **Manufacturer:** Febco **Model:** 750N
Size: 6 **Orientation:** VUVD **Meters:**
Manual: 9 **0.25% Pb:** Yes **Spare Parts Only:** No
Approved: 17-Sep-2009 **Renewed:** 17-Sep-2015 **Bypass:**
Shutoffs: zzz,dddd,eeee,dddd,gggg,kkkk,llll,mmmm,nnnn

Type: DC **Manufacturer:** Febco **Model:** 805 Type YD
Size: 2 1/2 **Orientation:** **Meters:**
Manual: **0.25% Pb:** No **Spare Parts Only:** No
Approved: **Renewed:** **Bypass:**
Notes: model designation changed to 805YD

Type: DC **Manufacturer:** Febco **Model:** 805 Type YD
Size: 3 **Orientation:** **Meters:**
Manual: **0.25% Pb:** No **Spare Parts Only:** No
Approved: **Renewed:** **Bypass:**
Notes: model designation changed to 805YD

Type: DC **Manufacturer:** Febco **Model:** 805 Type YD
Size: 4 **Orientation:** **Meters:**
Manual: **0.25% Pb:** No **Spare Parts Only:** No
Approved: **Renewed:** **Bypass:**
Notes: model designation changed to 805YD

Type: DC **Manufacturer:** Febco **Model:** 805 Type YD
Size: 6 **Orientation:** **Meters:**
Manual: **0.25% Pb:** No **Spare Parts Only:** No
Approved: **Renewed:** **Bypass:**
Notes: model designation changed to 805YD

Type: DC **Manufacturer:** Febco **Model:** 805 Type YD
Size: 8 **Orientation:** **Meters:**
Manual: **0.25% Pb:** No **Spare Parts Only:** No
Approved: **Renewed:** **Bypass:**
Notes: model designation changed to 805YD

Type: DC **Manufacturer:** Febco **Model:** 805 Type YD
Size: 10 **Orientation:** **Meters:**
Manual: **0.25% Pb:** No **Spare Parts Only:** No
Approved: **Renewed:** **Bypass:**
Notes: model designation changed to 805YD

Type: DC **Manufacturer:** Febco **Model:** 805Y
Size: 3/4 **Orientation:** H **Meters:**
Manual: 6 **0.25% Pb:** No **Spare Parts Only:** Yes
Approved: 13-May-1982 **Renewed:** 13-May-2015 **Bypass:**
Shutoffs: ii,fff,jjj,ooo

Type: DC **Manufacturer:** Febco **Model:** 805Y
Size: 1 **Orientation:** H **Meters:**
Manual: 6 **0.25% Pb:** No **Spare Parts Only:** Yes
Approved: 13-May-1982 **Renewed:** 13-May-2015 **Bypass:**
Shutoffs: ii,fff,jjj,ooo

Type: DC **Manufacturer:** Febco **Model:** 805Y
Size: 1 1/2 **Orientation:** H **Meters:**
Manual: 6 **0.25% Pb:** No **Spare Parts Only:** Yes
Approved: 05-Jan-1983 **Renewed:** 05-Jan-2013 **Bypass:**
Shutoffs: ii,fff,jjj,ooo

Type: DC
Size: 2
Manual: 6
Approved: 05-Jan-1983
Shutoffs: ii,fff,ooo
Manufacturer: Febco
Orientation: H
0.25% Pb: No
Renewed: 05-Jan-2013
Model: 805Y
Meters:
Spare Parts Only: Yes
Bypass:

Type: DC
Size: 3/4
Manual: 8
Approved: 04-May-1994
Shutoffs: (ii),fff,jjj,ooo
Notes: Replaceable seats beginning with Serial No. A105801
Manufacturer: Febco
Orientation: H
0.25% Pb: No
Renewed: 04-May-2015
Model: 805YB
Meters:
Spare Parts Only: No
Bypass:

Type: DC
Size: 3/4
Manual: 8
Approved: 16-Apr-1996
Shutoffs: (ii),fff,jjj,ooo
Notes: Replaceable seats beginning with Serial No. A105801
Manufacturer: Febco
Orientation: VU
0.25% Pb: No
Renewed: 16-Apr-2014
Model: 805YB
Meters:
Spare Parts Only: No
Bypass:

Type: DC
Size: 2 1/2
Manual: 7
Approved: 31-May-1987
Shutoffs: (ee),ff,ll,mm,oo,pp,tt,uu,zzz,ffff,gggg
Notes: formerly 805 Type YD
Manufacturer: Febco
Orientation: H
0.25% Pb: No
Renewed: 31-May-2014
Model: 805YD
Meters:
Spare Parts Only: No
Bypass:

Type: DC
Size: 3
Manual: 7
Approved: 31-May-1987
Shutoffs: (ee),ff,ll,mm,oo,pp,tt,uu,zzz,ffff,gggg
Notes: formerly 805 Type YD
Manufacturer: Febco
Orientation: H
0.25% Pb: No
Renewed: 31-May-2014
Model: 805YD
Meters:
Spare Parts Only: No
Bypass:

Type: DC
Size: 4
Manual: 7
Approved: 31-May-1987
Shutoffs: (ee),ff,ll,mm,oo,pp,tt,uu,zzz,ffff,gggg
Notes: formerly 805 Type YD
Manufacturer: Febco
Orientation: H
0.25% Pb: No
Renewed: 31-May-2014
Model: 805YD
Meters:
Spare Parts Only: No
Bypass:

Type: DC **Manufacturer:** Febco **Model:** 805YD
Size: 6 **Orientation:** H **Meters:**
Manual: 7 **0.25% Pb:** No **Spare Parts Only:** No
Approved: 31-May-1987 **Renewed:** 31-May-2014 **Bypass:**
Shutoffs: (ee),ff,ll,mm,oo,pp,tt,uu,zzz,ffff,gggg
Notes: formerly 805 Type YD

Type: DC **Manufacturer:** Febco **Model:** 805YD
Size: 8 **Orientation:** H **Meters:**
Manual: 7 **0.25% Pb:** No **Spare Parts Only:** No
Approved: 31-May-1987 **Renewed:** 31-May-2014 **Bypass:**
Shutoffs: (ee),ff,ll,mm,oo,pp,tt,uu,zzz,ffff,gggg
Notes: formerly 805 Type YD

Type: DC **Manufacturer:** Febco **Model:** 805YD
Size: 10 **Orientation:** H **Meters:**
Manual: 7 **0.25% Pb:** No **Spare Parts Only:** No
Approved: 31-May-1987 **Renewed:** 31-May-2014 **Bypass:**
Shutoffs: (ee),ff,ll,mm,oo,pp,tt,uu,zzz,ffff,gggg
Notes: formerly 805 Type YD

Type: DC **Manufacturer:** Febco **Model:** 805YR
Size: 3/4 **Orientation:** H **Meters:**
Manual: 8 **0.25% Pb:** No **Spare Parts Only:** Yes
Approved: 22-Jan-1993 **Renewed:** 22-Jan-2014 **Bypass:**
Shutoffs: ii,fff,jjj,ooo

Type: DC **Manufacturer:** Febco **Model:** 805YR
Size: 1 **Orientation:** H **Meters:**
Manual: 8 **0.25% Pb:** No **Spare Parts Only:** Yes
Approved: 22-Jan-1993 **Renewed:** 22-Jan-2014 **Bypass:**
Shutoffs: ii,fff,jjj,ooo

Type: DC **Manufacturer:** Febco **Model:** 850
Size: 1/2 **Orientation:** H **Meters:**
Manual: 9 **0.25% Pb:** No **Spare Parts Only:** No
Approved: 21-Nov-1997 **Renewed:** 21-Nov-2012 **Bypass:**
Shutoffs: (fff),ooo

Type: DC	Manufacturer: Febco	Model: 850
Size: 1/2	Orientation: VD	Meters:
Manual: 9	0.25% Pb: No	Spare Parts Only: No
Approved: 13-Apr-2000	Renewed: 13-Apr-2015	Bypass:
Shutoffs: (fff),000		

Type: DC	Manufacturer: Febco	Model: 850
Size: 1/2	Orientation: VU	Meters:
Manual: 9	0.25% Pb: No	Spare Parts Only: No
Approved: 17-Dec-1999	Renewed: 17-Dec-2014	Bypass:
Shutoffs: (fff),000		

Type: DC	Manufacturer: Febco	Model: 850
Size: 3/4	Orientation: H	Meters:
Manual: 9	0.25% Pb: No	Spare Parts Only: No
Approved: 21-Nov-1997	Renewed: 21-Nov-2012	Bypass:
Shutoffs: (fff),jjj,000		

Type: DC	Manufacturer: Febco	Model: 850
Size: 3/4	Orientation: VD	Meters:
Manual: 9	0.25% Pb: No	Spare Parts Only: No
Approved: 10-Apr-2000	Renewed: 10-Apr-2015	Bypass:
Shutoffs: (fff),jjj,000		

Type: DC	Manufacturer: Febco	Model: 850
Size: 3/4	Orientation: VU	Meters:
Manual: 9	0.25% Pb: No	Spare Parts Only: No
Approved: 17-Dec-1999	Renewed: 17-Dec-2014	Bypass:
Shutoffs: (fff),jjj,000		

Type: DC	Manufacturer: Febco	Model: 850
Size: 1	Orientation: H	Meters:
Manual: 9	0.25% Pb: No	Spare Parts Only: No
Approved: 21-Nov-1997	Renewed: 21-Nov-2012	Bypass:
Shutoffs: (fff),jjj,000		

Type: DC	Manufacturer: Febco	Model: 850
Size: 1	Orientation: VD	Meters:
Manual: 9	0.25% Pb: No	Spare Parts Only: No
Approved: 14-Jan-2000	Renewed: 14-Jan-2015	Bypass:
Shutoffs: (fff),jjj,000		

Type: DC
Size: 1
Manual: 9
Approved: 07-Sep-2000
Shutoffs: (fff),jjj,000

Manufacturer: Febco
Orientation: VU
0.25% Pb: No
Renewed: 07-Sep-2015

Model: 850
Meters:
Spare Parts Only: No
Bypass:

Type: DC
Size: 1 1/4
Manual: 9
Approved: 21-Nov-1997
Shutoffs: (fff),jjj,000

Manufacturer: Febco
Orientation: H
0.25% Pb: No
Renewed: 21-Nov-2012

Model: 850
Meters:
Spare Parts Only: No
Bypass:

Type: DC
Size: 1 1/4
Manual: 9
Approved: 13-Apr-2000
Shutoffs: (fff),jjj,000

Manufacturer: Febco
Orientation: VD
0.25% Pb: No
Renewed: 13-Apr-2015

Model: 850
Meters:
Spare Parts Only: No
Bypass:

Type: DC
Size: 1 1/4
Manual: 9
Approved: 17-Jul-1999
Shutoffs: (fff),jjj,000

Manufacturer: Febco
Orientation: VU
0.25% Pb: No
Renewed: 17-Jul-2014

Model: 850
Meters:
Spare Parts Only: No
Bypass:

Type: DC
Size: 1 1/2
Manual: 9
Approved: 19-Feb-1998
Shutoffs: (fff),jjj,000

Manufacturer: Febco
Orientation: H
0.25% Pb: No
Renewed: 19-Feb-2013

Model: 850
Meters:
Spare Parts Only: No
Bypass:

Type: DC
Size: 1 1/2
Manual: 9
Approved: 13-Apr-2000
Shutoffs: (fff),jjj,000

Manufacturer: Febco
Orientation: VD
0.25% Pb: No
Renewed: 13-Apr-2015

Model: 850
Meters:
Spare Parts Only: No
Bypass:

Type: DC
Size: 1 1/2
Manual: 9
Approved: 17-Jul-1999
Shutoffs: (fff),jjj,000

Manufacturer: Febco
Orientation: VU
0.25% Pb: No
Renewed: 17-Jul-2014

Model: 850
Meters:
Spare Parts Only: No
Bypass:

Type: DC
Size: 3/4
Manual: 9
Approved: 28-Sep-2001
Shutoffs: (fff),jjj

Manufacturer: Febco
Orientation: VD
0.25% Pb: No
Renewed: 28-Sep-2013

Model: 850F
Meters:
Spare Parts Only: No
Bypass:

Type: DC
Size: 3/4
Manual: 9
Approved: 28-Sep-2001
Shutoffs: (fff),jjj

Manufacturer: Febco
Orientation: VU
0.25% Pb: No
Renewed: 28-Sep-2013

Model: 850F
Meters:
Spare Parts Only: No
Bypass:

Type: DC
Size: 1/2
Manual: 9
Approved: 12-Oct-1998
Shutoffs: (kkk)

Manufacturer: Febco
Orientation: H
0.25% Pb: No
Renewed: 12-Oct-2013

Model: 850U
Meters:
Spare Parts Only: No
Bypass:

Type: DC
Size: 1/2
Manual: 9
Approved: 16-Oct-2000
Shutoffs: (kkk)

Manufacturer: Febco
Orientation: VD
0.25% Pb: No
Renewed: 16-Oct-2012

Model: 850U
Meters:
Spare Parts Only: No
Bypass:

Type: DC
Size: 1/2
Manual: 9
Approved: 17-Dec-1999
Shutoffs: (kkk)

Manufacturer: Febco
Orientation: VU
0.25% Pb: No
Renewed: 17-Dec-2014

Model: 850U
Meters:
Spare Parts Only: No
Bypass:

Type: DC
Size: 3/4
Manual: 9
Approved: 08-Mar-1999
Shutoffs: (kkk)

Manufacturer: Febco
Orientation: H
0.25% Pb: No
Renewed: 08-Mar-2014

Model: 850U
Meters:
Spare Parts Only: No
Bypass:

Type: DC
Size: 3/4
Manual: 9
Approved: 16-Oct-2000
Shutoffs: (kkk)

Manufacturer: Febco
Orientation: VD
0.25% Pb: No
Renewed: 16-Oct-2012

Model: 850U
Meters:
Spare Parts Only: No
Bypass:

Type: DC
Size: 3/4
Manual: 9
Approved: 17-Dec-1999
Shutoffs: (kkk)

Manufacturer: Febco
Orientation: VU
0.25% Pb: No
Renewed: 17-Dec-2014

Model: 850U
Meters:
Spare Parts Only: No
Bypass:

Type: DC
Size: 1
Manual: 9
Approved: 04-Aug-1999
Shutoffs: (kkk)

Manufacturer: Febco
Orientation: H
0.25% Pb: No
Renewed: 04-Aug-2014

Model: 850U
Meters:
Spare Parts Only: No
Bypass:

Type: DC
Size: 1
Manual: 9
Approved: 14-Jan-2000
Shutoffs: (kkk)

Manufacturer: Febco
Orientation: VD
0.25% Pb: No
Renewed: 14-Jan-2015

Model: 850U
Meters:
Spare Parts Only: No
Bypass:

Type: DC
Size: 1
Manual: 9
Approved: 16-Oct-2000
Shutoffs: (kkk)

Manufacturer: Febco
Orientation: VU
0.25% Pb: No
Renewed: 16-Oct-2012

Model: 850U
Meters:
Spare Parts Only: No
Bypass:

Type: DC
Size: 1 1/4
Manual: 9
Approved: 12-Oct-1998
Shutoffs: (kkk)

Manufacturer: Febco
Orientation: H
0.25% Pb: No
Renewed: 12-Oct-2013

Model: 850U
Meters:
Spare Parts Only: No
Bypass:

Type: DC
Size: 1 1/4
Manual: 9
Approved: 16-Oct-2000
Shutoffs: (kkk)

Manufacturer: Febco
Orientation: VD
0.25% Pb: No
Renewed: 16-Oct-2012

Model: 850U
Meters:
Spare Parts Only: No
Bypass:

Type: DC
Size: 1 1/4
Manual: 9
Approved: 04-Aug-1999
Shutoffs: (kkk)

Manufacturer: Febco
Orientation: VU
0.25% Pb: No
Renewed: 04-Aug-2014

Model: 850U
Meters:
Spare Parts Only: No
Bypass:

Type: DC **Manufacturer:** Febco **Model:** 857
Size: 2 1/2 **Orientation:** VU **Meters:**
Manual: 8 **0.25% Pb:** No **Spare Parts Only:** No
Approved: 01-Aug-2006 **Renewed:** 01-Aug-2015 **Bypass:**
Shutoffs: (oo), gg, hh,ll, mm, pp, tt, uu, yy, fff

Type: DC **Manufacturer:** Febco **Model:** 857
Size: 3 **Orientation:** H **Meters:**
Manual: 8 **0.25% Pb:** No **Spare Parts Only:** No
Approved: 01-Aug-2006 **Renewed:** 01-Aug-2015 **Bypass:**
Shutoffs: (oo), gg, hh,ll, mm, pp, tt, uu, yy, fff

Type: DC **Manufacturer:** Febco **Model:** 857
Size: 3 **Orientation:** VU **Meters:**
Manual: 8 **0.25% Pb:** No **Spare Parts Only:** No
Approved: 01-Aug-2006 **Renewed:** 01-Aug-2015 **Bypass:**
Shutoffs: (oo), gg, hh,ll, mm, pp, tt, uu, yy, fff

Type: DC **Manufacturer:** Febco **Model:** 870
Size: 2 1/2 **Orientation:** VUVD **Meters:**
Manual: 8 **0.25% Pb:** No **Spare Parts Only:** Yes
Approved: 10-Mar-1995 **Renewed:** 10-Mar-2013 **Bypass:**
Shutoffs: ee,ff,ll,mm,oo,pp,tt,uu,zzz,ffff,gggg

Type: DC **Manufacturer:** Febco **Model:** 870
Size: 3 **Orientation:** VUVD **Meters:**
Manual: 8 **0.25% Pb:** No **Spare Parts Only:** Yes
Approved: 10-Mar-1995 **Renewed:** 10-Mar-2013 **Bypass:**
Shutoffs: ee,ff,ll,mm,oo,pp,tt,uu,zzz,ffff,gggg

Type: DC **Manufacturer:** Febco **Model:** 870
Size: 4 **Orientation:** VUVD **Meters:**
Manual: 8 **0.25% Pb:** No **Spare Parts Only:** Yes
Approved: 04-May-1994 **Renewed:** 04-May-2015 **Bypass:**
Shutoffs: ee,ff,ll,mm,oo,pp,tt,uu,zzz,ffff,gggg

Type: DC **Manufacturer:** Febco **Model:** 870
Size: 6 **Orientation:** VUVD **Meters:**
Manual: 8 **0.25% Pb:** No **Spare Parts Only:** Yes
Approved: 04-May-1994 **Renewed:** 04-May-2015 **Bypass:**
Shutoffs: ee,ff,ll,mm,oo,pp,tt,uu,zzz,ffff,gggg

Type: DC
Size: 1/2
Manual: 9
Approved: 18-Feb-2010
Shutoffs: (qqqqq), hhhh

Manufacturer: Febco
Orientation: H
0.25% Pb: Yes
Renewed: 18-Feb-2013

Model: LF850
Meters:
Spare Parts Only: No
Bypass:

Type: DC
Size: 3/4
Manual: 9
Approved: 18-Feb-2010
Shutoffs: (qqqqq), hhhh

Manufacturer: Febco
Orientation: H
0.25% Pb: Yes
Renewed: 18-Feb-2013

Model: LF850
Meters:
Spare Parts Only: No
Bypass:

Type: DC
Size: 1
Manual: 9
Approved: 18-Feb-2010
Shutoffs: (qqqqq), hhhh

Manufacturer: Febco
Orientation: H
0.25% Pb: Yes
Renewed: 18-Feb-2013

Model: LF850
Meters:
Spare Parts Only: No
Bypass:

Type: DC
Size: 1 1/4
Manual: 9
Approved: 18-Feb-2010
Shutoffs: (qqqqq), hhhh

Manufacturer: Febco
Orientation: H
0.25% Pb: Yes
Renewed: 18-Feb-2013

Model: LF850
Meters:
Spare Parts Only: No
Bypass:

Type: DC
Size: 1 1/2
Manual: 9
Approved: 18-Feb-2010
Shutoffs: (qqqqq), hhhh

Manufacturer: Febco
Orientation: H
0.25% Pb: Yes
Renewed: 18-Feb-2013

Model: LF850
Meters:
Spare Parts Only: No
Bypass:

Type: DC
Size: 2
Manual: 9
Approved: 18-Feb-2010
Shutoffs: (qqqqq), hhhh

Manufacturer: Febco
Orientation: H
0.25% Pb: Yes
Renewed: 18-Feb-2013

Model: LF850
Meters:
Spare Parts Only: No
Bypass:

Type: DC
Size: 2 1/2
Manual: 9
Approved: 22-May-2012
Shutoffs: (mm),ll

Manufacturer: Febco
Orientation: H
0.25% Pb: Yes
Renewed: 22-May-2015

Model: LF850
Meters:
Spare Parts Only: No
Bypass:

Type: DC
Size: 2 1/2
Manual: 9
Approved: 22-May-2012
Shutoffs: (mm),ll

Manufacturer: Febco
Orientation: VU
0.25% Pb: Yes
Renewed: 22-May-2015

Model: LF850
Meters:
Spare Parts Only: No
Bypass:

Type: DC
Size: 3
Manual: 9
Approved: 22-May-2012
Shutoffs: (mm),ll

Manufacturer: Febco
Orientation: H
0.25% Pb: Yes
Renewed: 22-May-2015

Model: LF850
Meters:
Spare Parts Only: No
Bypass:

Type: DC
Size: 3
Manual: 9
Approved: 22-May-2012
Shutoffs: (mm),ll

Manufacturer: Febco
Orientation: VU
0.25% Pb: Yes
Renewed: 22-May-2015

Model: LF850
Meters:
Spare Parts Only: No
Bypass:

Type: DC
Size: 4
Manual: 9
Approved: 22-May-2012
Shutoffs: (mm),ll

Manufacturer: Febco
Orientation: H
0.25% Pb: Yes
Renewed: 22-May-2015

Model: LF850
Meters:
Spare Parts Only: No
Bypass:

Type: DC
Size: 4
Manual: 9
Approved: 22-May-2012
Shutoffs: (mm),ll

Manufacturer: Febco
Orientation: VU
0.25% Pb: Yes
Renewed: 22-May-2015

Model: LF850
Meters:
Spare Parts Only: No
Bypass:

Type: DC
Size: 6
Manual: 9
Approved: 22-May-2012
Shutoffs: (mm),ll

Manufacturer: Febco
Orientation: H
0.25% Pb: Yes
Renewed: 22-May-2015

Model: LF850
Meters:
Spare Parts Only: No
Bypass:

Type: DC
Size: 6
Manual: 9
Approved: 22-May-2012
Shutoffs: (mm),ll

Manufacturer: Febco
Orientation: VU
0.25% Pb: Yes
Renewed: 22-May-2015

Model: LF850
Meters:
Spare Parts Only: No
Bypass:

Type: DC	Manufacturer: Febco	Model: LF850
Size: 8	Orientation: H	Meters:
Manual: 9	0.25% Pb: Yes	Spare Parts Only: No
Approved: 22-May-2012	Renewed: 22-May-2015	Bypass:
Shutoffs: (mm),ll		

Type: DC	Manufacturer: Febco	Model: LF850
Size: 8	Orientation: VU	Meters:
Manual: 9	0.25% Pb: Yes	Spare Parts Only: No
Approved: 22-May-2012	Renewed: 22-May-2015	Bypass:
Shutoffs: (mm),ll		

Type: DC	Manufacturer: Febco	Model: LF850
Size: 10	Orientation: H	Meters:
Manual: 9	0.25% Pb: Yes	Spare Parts Only: No
Approved: 24-Jun-2013	Renewed:	Bypass:
Shutoffs: (mm),ll		

Type: DC	Manufacturer: Febco	Model: LF850
Size: 10	Orientation: VU	Meters:
Manual: 9	0.25% Pb: Yes	Spare Parts Only: No
Approved: 24-Jun-2013	Renewed:	Bypass:
Shutoffs: (mm),ll		

Type: DC	Manufacturer: Febco	Model: LF850U
Size: 1/2	Orientation: H	Meters:
Manual: 9	0.25% Pb: Yes	Spare Parts Only: No
Approved: 03-Sep-2013	Renewed:	Bypass:
Shutoffs: (ppppp), hhhh		

Type: DC	Manufacturer: Febco	Model: LF850U
Size: 3/4	Orientation: H	Meters:
Manual: 9	0.25% Pb: Yes	Spare Parts Only: No
Approved: 03-Sep-2013	Renewed:	Bypass:
Shutoffs: (ppppp), hhhh		

Type: DC	Manufacturer: Febco	Model: LF850U
Size: 1	Orientation: H	Meters:
Manual: 9	0.25% Pb: Yes	Spare Parts Only: No
Approved: 03-Sep-2013	Renewed:	Bypass:
Shutoffs: (ppppp), hhhh		

Type: DC
Size: 1 1/4
Manual: 9
Approved: 03-Sep-2013
Shutoffs: (ppppp), hhhh

Manufacturer: Febco
Orientation: H
0.25% Pb: Yes
Renewed:

Model: LF850U
Meters:
Spare Parts Only: No
Bypass:

Type: DC
Size: 1 1/2
Manual: 9
Approved: 03-Sep-2013
Shutoffs: (ppppp), hhhh

Manufacturer: Febco
Orientation: H
0.25% Pb: Yes
Renewed:

Model: LF850U
Meters:
Spare Parts Only: No
Bypass:

Type: DC
Size: 2
Manual: 9
Approved: 03-Sep-2013
Shutoffs: (ppppp), hhhh

Manufacturer: Febco
Orientation: H
0.25% Pb: Yes
Renewed:

Model: LF850U
Meters:
Spare Parts Only: No
Bypass:

Type: DC
Size: 2 1/2
Manual: 9
Approved: 09-Aug-2012
Shutoffs: (mm),ll

Manufacturer: Febco
Orientation: VUVD
0.25% Pb: Yes
Renewed: 09-Aug-2015

Model: LF870V
Meters:
Spare Parts Only: No
Bypass:

Type: DC
Size: 2 1/2
Manual: 9
Approved: 09-Aug-2012
Shutoffs: (mm),ll

Manufacturer: Febco
Orientation: VUVU
0.25% Pb: Yes
Renewed: 09-Aug-2015

Model: LF870V
Meters:
Spare Parts Only: No
Bypass:

Type: DC
Size: 3
Manual: 9
Approved: 22-May-2012
Shutoffs: (mm),ll

Manufacturer: Febco
Orientation: VUVD
0.25% Pb: Yes
Renewed: 22-May-2015

Model: LF870V
Meters:
Spare Parts Only: No
Bypass:

Type: DC
Size: 3
Manual: 9
Approved: 22-May-2012
Shutoffs: (mm),ll

Manufacturer: Febco
Orientation: VUVU
0.25% Pb: Yes
Renewed: 22-May-2015

Model: LF870V
Meters:
Spare Parts Only: No
Bypass:

Type: DC
Size: 4
Manual: 9
Approved: 22-May-2012
Shutoffs: (mm),ll

Manufacturer: Febco
Orientation: VUVD
0.25% Pb: Yes
Renewed: 22-May-2015

Model: LF870V
Meters:
Spare Parts Only: No
Bypass:

Type: DC
Size: 4
Manual: 9
Approved: 22-May-2012
Shutoffs: (mm),ll

Manufacturer: Febco
Orientation: VUVU
0.25% Pb: Yes
Renewed: 22-May-2015

Model: LF870V
Meters:
Spare Parts Only: No
Bypass:

Type: DC
Size: 6
Manual: 9
Approved: 22-May-2012
Shutoffs: (mm),ll

Manufacturer: Febco
Orientation: VUVD
0.25% Pb: Yes
Renewed: 22-May-2015

Model: LF870V
Meters:
Spare Parts Only: No
Bypass:

Type: DC
Size: 6
Manual: 9
Approved: 22-May-2012
Shutoffs: (mm),ll

Manufacturer: Febco
Orientation: VUVU
0.25% Pb: Yes
Renewed: 22-May-2015

Model: LF870V
Meters:
Spare Parts Only: No
Bypass:

Type: DC
Size: 8
Manual: 9
Approved: 22-May-2012
Shutoffs: (mm),ll

Manufacturer: Febco
Orientation: VUVD
0.25% Pb: Yes
Renewed: 22-May-2015

Model: LF870V
Meters:
Spare Parts Only: No
Bypass:

Type: DC
Size: 8
Manual: 9
Approved: 22-May-2012
Shutoffs: (mm),ll

Manufacturer: Febco
Orientation: VUVU
0.25% Pb: Yes
Renewed: 22-May-2015

Model: LF870V
Meters:
Spare Parts Only: No
Bypass:

Type: DC
Size: 3/4
Manual: 8
Approved: 04-May-1994
Shutoffs: ii

Manufacturer: Flomatic
Orientation: H
0.25% Pb: No
Renewed: 04-May-2015

Model: DCV
Meters:
Spare Parts Only: Yes
Bypass:

Type: DC
Size: 1
Manual: 8
Approved: 04-May-1994
Shutoffs: ii

Manufacturer: Flomatic
Orientation: H
0.25% Pb: No
Renewed: 04-May-2015

Model: DCV
Meters:
Spare Parts Only: Yes
Bypass:

Type: DC
Size: 1 1/2
Manual: 8
Approved: 10-May-1995
Shutoffs: ii

Manufacturer: Flomatic
Orientation: H
0.25% Pb: No
Renewed: 10-May-2013

Model: DCV
Meters:
Spare Parts Only: Yes
Bypass:

Type: DC
Size: 2
Manual: 8
Approved: 10-May-1995
Shutoffs: ii

Manufacturer: Flomatic
Orientation: H
0.25% Pb: No
Renewed: 10-May-2013

Model: DCV
Meters:
Spare Parts Only: Yes
Bypass:

Type: DC
Size: 2 1/2
Manual: 8
Approved: 14-Feb-1997
Shutoffs: (gg),hh,jj,kk,ll,mm,yy,zz,ccc,ddd

Manufacturer: Flomatic
Orientation: H
0.25% Pb: No
Renewed: 14-Feb-2015

Model: DCV
Meters:
Spare Parts Only: Yes
Bypass:

Type: DC
Size: 3
Manual: 8
Approved: 14-Feb-1997
Shutoffs: (gg),hh,jj,kk,ll,mm,yy,zz,ccc,ddd

Manufacturer: Flomatic
Orientation: H
0.25% Pb: No
Renewed: 14-Feb-2015

Model: DCV
Meters:
Spare Parts Only: Yes
Bypass:

Type: DC
Size: 4
Manual: 9
Approved: 01-Jul-1999
Shutoffs: (gg),hh,jj,kk,ll,mm,yy,zz,ccc,ddd,dddd

Manufacturer: Flomatic
Orientation: H
0.25% Pb: No
Renewed: 01-Jul-2014

Model: DCV
Meters:
Spare Parts Only: Yes
Bypass:

Type: DC
Size: 4
Manual: 9
Approved: 01-Jul-1999
Shutoffs: ddddd

Manufacturer: Flomatic
Orientation: H
0.25% Pb: Yes
Renewed: 01-Jul-2014

Model: DCV
Meters:
Spare Parts Only: Yes
Bypass:

Type: DC	Manufacturer: Watts	Model: 007
Size: 2 1/2	Orientation: VU	Meters:
Manual: 8	0.25% Pb: Yes	Spare Parts Only: No
Approved: 27-Aug-1996	Renewed: 27-Aug-2014	Bypass:
Shutoffs: (oo),gg,hh,ll,mm,pp,tt,uu,yy,fff,gggg		

Type: DC	Manufacturer: Watts	Model: 007
Size: 3	Orientation: H	Meters:
Manual: 8	0.25% Pb: No	Spare Parts Only: No
Approved: 30-Sep-1990	Renewed: 30-Sep-2014	Bypass:
Shutoffs: (oo),gg,hh,ll,mm,pp,tt,uu,yy,eee,fff,gggg		

Type: DC	Manufacturer: Watts	Model: 007
Size: 3	Orientation: VU	Meters:
Manual: 8	0.25% Pb: Yes	Spare Parts Only: No
Approved: 27-Aug-1996	Renewed: 27-Aug-2014	Bypass:
Shutoffs: (oo),gg,hh,ll,mm,pp,tt,uu,yy,eee,fff,gggg		

Type: DC	Manufacturer: Watts	Model: 007M1-FP
Size: 1	Orientation: H	Meters:
Manual: 9	0.25% Pb: Yes	Spare Parts Only: No
Approved: 01-Sep-2009	Renewed: 01-Sep-2015	Bypass:
Shutoffs: (eeee)		

Type: DC	Manufacturer: Watts	Model: 007M1-FP
Size: 2	Orientation: H	Meters:
Manual: 9	0.25% Pb: Yes	Spare Parts Only: No
Approved: 01-Sep-2009	Renewed: 01-Sep-2015	Bypass:
Shutoffs: (eeee)		

Type: DC	Manufacturer: Watts	Model: 007M1PCQT
Size: 3/4	Orientation: H	Meters:
Manual: 8	0.25% Pb: Yes	Spare Parts Only: No
Approved: 10-Dec-1993	Renewed: 10-Dec-2014	Bypass:
Shutoffs: (vv),xx,ooo,hhhh,pppp		

Type: DC	Manufacturer: Watts	Model: 007M1PCQT
Size: 1	Orientation: H	Meters:
Manual: 8	0.25% Pb: Yes	Spare Parts Only: No
Approved: 10-Dec-1993	Renewed: 10-Dec-2014	Bypass:
Shutoffs: (vv),xx,ooo,hhhh,pppp		

Type: DC
Size: 1 1/2
Manual: 8
Approved: 27-Sep-1994
Shutoffs: vv,xx,ooo,hhhh,pppp

Manufacturer: Watts
Orientation: H
0.25% Pb: Yes
Renewed: 27-Sep-2015

Model: 007M1PCQT
Meters:
Spare Parts Only: Yes
Bypass:

Type: DC
Size: 2
Manual: 8
Approved: 27-Sep-1994
Shutoffs: (vv),xx,ooo,hhhh,pppp

Manufacturer: Watts
Orientation: H
0.25% Pb: No
Renewed: 27-Sep-2015

Model: 007M1PCQT
Meters:
Spare Parts Only: No
Bypass:

Type: DC
Size: 3/4
Manual: 8
Approved: 26-Feb-1991
Shutoffs: vv,xx,ooo,hhhh,pppp

Manufacturer: Watts
Orientation: H
0.25% Pb: No
Renewed: 26-Feb-2015

Model: 007M1QT
Meters:
Spare Parts Only: Yes
Bypass:

Type: DC
Size: 1
Manual: 9
Approved: 18-May-1998
Shutoffs: (vv),xx,ooo,hhhh,pppp
Notes: Previous 8th Ed. Approval

Manufacturer: Watts
Orientation: H
0.25% Pb: No
Renewed: 18-May-2013

Model: 007M1QT
Meters:
Spare Parts Only: No
Bypass:

Type: DC
Size: 1
Manual: 8
Approved: 26-Feb-1991
Shutoffs: (vv),xx,ooo,hhhh,pppp
Notes: Upgraded to 9th Ed.

Manufacturer: Watts
Orientation: H
0.25% Pb: No
Renewed: 26-Feb-2015

Model: 007M1QT
Meters:
Spare Parts Only: No
Bypass:

Type: DC
Size: 1
Manual: 9
Approved: 18-May-1998
Shutoffs: (vv),xx,ooo,hhhh,pppp

Manufacturer: Watts
Orientation: VU
0.25% Pb: No
Renewed: 18-May-2013

Model: 007M1QT
Meters:
Spare Parts Only: No
Bypass:

Type: DC
Size: 1 1/2
Manual: 8
Approved: 30-Jun-1992
Shutoffs: vv,xx,ooo,hhhh,pppp

Manufacturer: Watts
Orientation: H
0.25% Pb: No
Renewed: 30-Jun-2013

Model: 007M1QT
Meters:
Spare Parts Only: Yes
Bypass:

Type: DC
Size: 2
Manual: 8
Approved: 30-Jun-1992
Shutoffs: (vv),xx,ooo,hhhh,pppp

Manufacturer: Watts
Orientation: H
0.25% Pb: No
Renewed: 30-Jun-2013

Model: 007M1QT
Meters:
Spare Parts Only: No
Bypass:

Type: DC
Size: 2
Manual: 8
Approved: 08-Mar-1996
Shutoffs: (vv),xx,ooo,hhhh,pppp

Manufacturer: Watts
Orientation: VU
0.25% Pb: No
Renewed: 08-Mar-2014

Model: 007M1QT
Meters:
Spare Parts Only: No
Bypass:

Type: DC
Size: 1 1/4
Manual: 9
Approved: 01-Sep-2009
Shutoffs: (eeee)

Manufacturer: Watts
Orientation: H
0.25% Pb: No
Renewed: 01-Sep-2015

Model: 007M2-FP
Meters:
Spare Parts Only: No
Bypass:

Type: DC
Size: 1 1/2
Manual: 9
Approved: 01-Sep-2009
Shutoffs: (eeee)

Manufacturer: Watts
Orientation: H
0.25% Pb: No
Renewed: 01-Sep-2015

Model: 007M2-FP
Meters:
Spare Parts Only: No
Bypass:

Type: DC
Size: 1 1/4
Manual: 8
Approved: 09-Dec-1996
Shutoffs: (vv),xx,ooo,hhhh,pppp

Manufacturer: Watts
Orientation: H
0.25% Pb: No
Renewed: 09-Dec-2014

Model: 007M2PCQT
Meters:
Spare Parts Only: No
Bypass:

Type: DC
Size: 1 1/4
Manual: 8
Approved: 09-Dec-1996
Shutoffs: (vv),xx,ooo,hhhh,pppp

Manufacturer: Watts
Orientation: VU
0.25% Pb: No
Renewed: 09-Dec-2014

Model: 007M2PCQT
Meters:
Spare Parts Only: No
Bypass:

Type: DC
Size: 1 1/2
Manual: 8
Approved: 12-Sep-1994
Shutoffs: (vv),xx,ooo,hhhh,pppp

Manufacturer: Watts
Orientation: H
0.25% Pb: No
Renewed: 12-Sep-2015

Model: 007M2PCQT
Meters:
Spare Parts Only: No
Bypass:

Type: DC
Size: 3/4
Manual: 8
Approved: 05-Apr-1993
Shutoffs: (vv),xx,ooo,hhhh,pppp

Manufacturer: Watts
Orientation: H
0.25% Pb: No
Renewed: 05-Apr-2014

Model: 007M2QT
Meters:
Spare Parts Only: No
Bypass:

Type: DC
Size: 3/4
Manual: 8
Approved: 27-Aug-1996
Shutoffs: (vv),xx,ooo,hhhh,pppp

Manufacturer: Watts
Orientation: VU
0.25% Pb: No
Renewed: 27-Aug-2014

Model: 007M2QT
Meters:
Spare Parts Only: No
Bypass:

Type: DC
Size: 1 1/4
Manual: 8
Approved: 01-Oct-1996
Shutoffs: (vv),xx,ooo,hhhh,pppp

Manufacturer: Watts
Orientation: H
0.25% Pb: No
Renewed: 01-Oct-2014

Model: 007M2QT
Meters:
Spare Parts Only: No
Bypass:

Type: DC
Size: 1 1/4
Manual: 8
Approved: 01-Oct-1996
Shutoffs: (vv),xx,ooo,hhhh,pppp

Manufacturer: Watts
Orientation: VU
0.25% Pb: No
Renewed: 01-Oct-2014

Model: 007M2QT
Meters:
Spare Parts Only: No
Bypass:

Type: DC
Size: 1 1/2
Manual: 8
Approved: 24-May-1994
Shutoffs: (vv),xx,ooo,hhhh,pppp

Manufacturer: Watts
Orientation: H
0.25% Pb: No
Renewed: 24-May-2015

Model: 007M2QT
Meters:
Spare Parts Only: No
Bypass:

Type: DC
Size: 1 1/2
Manual: 8
Approved: 11-Mar-1996
Shutoffs: (vv),xx,ooo,hhhh,pppp

Manufacturer: Watts
Orientation: VU
0.25% Pb: No
Renewed: 11-Mar-2014

Model: 007M2QT
Meters:
Spare Parts Only: No
Bypass:

Type: DC
Size: 3/4
Manual: 9
Approved: 01-Sep-2009
Shutoffs: (eeee)

Manufacturer: Watts
Orientation: H
0.25% Pb: No
Renewed: 01-Sep-2015

Model: 007M3-FP
Meters:
Spare Parts Only: No
Bypass:

Type: DC
Size: 3/4
Manual: 9
Approved: 18-Oct-1999
Shutoffs: (vv),xx,ooo,hhhh,pppp

Manufacturer: Watts
Orientation: H
0.25% Pb: No
Renewed: 18-Oct-2014

Model: 007M3QT
Meters:
Spare Parts Only: No
Bypass:

Type: DC
Size: 3/4
Manual: 9
Approved: 18-Oct-1999
Shutoffs: (vv),xx,ooo,hhhh,pppp

Manufacturer: Watts
Orientation: VU
0.25% Pb: No
Renewed: 18-Oct-2014

Model: 007M3QT
Meters:
Spare Parts Only: No
Bypass:

Type: DC
Size: 1/2
Manual: 8
Approved: 17-Feb-1995
Shutoffs: (vv),xx,ooo,hhhh,pppp

Manufacturer: Watts
Orientation: H
0.25% Pb: No
Renewed: 17-Feb-2013

Model: 007PCQT
Meters:
Spare Parts Only: No
Bypass:

Type: DC
Size: 1 1/2
Manual: 8
Approved: 27-Sep-1994
Shutoffs: vv,xx,ooo,hhhh,pppp

Manufacturer: Watts
Orientation: H
0.25% Pb: No
Renewed: 27-Sep-2015

Model: 007PCQT
Meters:
Spare Parts Only: Yes
Bypass:

Type: DC
Size: 2
Manual: 8
Approved: 27-Sep-1994
Shutoffs: vv,xx,ooo,hhhh,pppp

Manufacturer: Watts
Orientation: H
0.25% Pb: No
Renewed: 27-Sep-2015

Model: 007PCQT
Meters:
Spare Parts Only: Yes
Bypass:

Type: DC
Size: 1/2
Manual: 8
Approved: 06-Dec-1993
Shutoffs: (vv),xx,ooo,hhhh,pppp,rrrr
Notes: Upgraded to 9th Ed.

Manufacturer: Watts
Orientation: H
0.25% Pb: No
Renewed: 08-Dec-2014

Model: 007QT
Meters:
Spare Parts Only: No
Bypass:

Type: DC
Size: 1/2
Manual: 9
Approved: 16-Jun-1997
Shutoffs: (vv),xx,ooo,hhhh,pppp,rrrr
Notes: Previous 8th Ed. Approval

Manufacturer: Watts
Orientation: H
0.25% Pb: No
Renewed: 16-Jun-2015

Model: 007QT
Meters:
Spare Parts Only: No
Bypass:

Type: DC
Size: 1/2
Manual: 8
Approved: 19-Apr-1996
Shutoffs: pppp,rrrr
Notes: Upgraded to 9th Ed.

Manufacturer: Watts
Orientation: VU
0.25% Pb: No
Renewed: 19-Apr-2014

Model: 007QT
Meters:
Spare Parts Only: No
Bypass:

Type: DC
Size: 1/2
Manual: 9
Approved: 16-Jun-1997
Shutoffs: (vv),xx,pppp,rrrr
Notes: Previous 8th Ed. Approval

Manufacturer: Watts
Orientation: VU
0.25% Pb: No
Renewed: 16-Jun-2015

Model: 007QT
Meters:
Spare Parts Only: No
Bypass:

Type: DC
Size: 3/4
Manual: 7
Approved: 11-Jan-1988
Shutoffs: pppp,rrrr

Manufacturer: Watts
Orientation: H
0.25% Pb: No
Renewed: 11-Jan-2015

Model: 007QT
Meters:
Spare Parts Only: Yes
Bypass:

Type: DC
Size: 1
Manual: 7
Approved: 11-Jan-1988
Shutoffs: pppp,rrrr

Manufacturer: Watts
Orientation: H
0.25% Pb: No
Renewed: 11-Jan-2015

Model: 007QT
Meters:
Spare Parts Only: Yes
Bypass:

Type: DC
Size: 1 1/2
Manual: 7
Approved: 21-Jul-1988
Shutoffs: pppp,rrrr
Notes: Upgraded to 9th Ed.

Manufacturer: Watts
Orientation: H
0.25% Pb: No
Renewed: 21-Jul-2015

Model: 007QT
Meters:
Spare Parts Only: Yes
Bypass:

Type: DC
Size: 2
Manual: 7
Approved: 21-Jul-1988
Shutoffs: pppp,rrrr
Notes: Upgraded to 9th Ed.

Manufacturer: Watts
Orientation: H
0.25% Pb: No
Renewed: 21-Jul-2015

Model: 007QT
Meters:
Spare Parts Only: Yes
Bypass:

Type: DC
Size: 3/4
Manual: 8
Approved: 10-Dec-1993
Shutoffs: vv,xx,ooo,hhhh,pppp

Manufacturer: Watts
Orientation: H
0.25% Pb: No
Renewed: 10-Dec-2014

Model: 007SSM1PCQT
Meters:
Spare Parts Only: Yes
Bypass:

Type: DC
Size: 1
Manual: 8
Approved: 10-Dec-1993
Shutoffs: vv,xx,ooo,hhhh,pppp

Manufacturer: Watts
Orientation: H
0.25% Pb: No
Renewed: 10-Dec-2014

Model: 007SSM1PCQT
Meters:
Spare Parts Only: Yes
Bypass:

Type: DC
Size: 3/4
Manual: 8
Approved: 26-Feb-1991
Shutoffs: vv,xx,ooo,hhhh,pppp

Manufacturer: Watts
Orientation: H
0.25% Pb: No
Renewed: 26-Feb-2015

Model: 007SSM1QT
Meters:
Spare Parts Only: Yes
Bypass:

Type: DC
Size: 1
Manual: 8
Approved: 26-Feb-1991
Shutoffs: vv,xx,ooo,hhhh,pppp

Manufacturer: Watts
Orientation: H
0.25% Pb: No
Renewed: 26-Feb-2015

Model: 007SSM1QT
Meters:
Spare Parts Only: Yes
Bypass:

Type: DC	Manufacturer: Watts	Model: 007SSPCQT
Size: 1 1/2	Orientation: H	Meters:
Manual: 8	0.25% Pb: No	Spare Parts Only: Yes
Approved: 27-Sep-1994	Renewed: 27-Sep-2015	Bypass:
Shutoffs: vv,xx,ooo,hhhh,pppp		

Type: DC	Manufacturer: Watts	Model: 007SSPCQT
Size: 2	Orientation: H	Meters:
Manual: 8	0.25% Pb: No	Spare Parts Only: Yes
Approved: 27-Sep-1994	Renewed: 27-Sep-2015	Bypass:
Shutoffs: vv,xx,ooo,hhhh,pppp		

Type: DC	Manufacturer: Watts	Model: 007SSQT
Size: 3/4	Orientation: H	Meters:
Manual: 7	0.25% Pb: No	Spare Parts Only: Yes
Approved: 11-Jan-1988	Renewed: 11-Jan-2015	Bypass:
Shutoffs: pppp		

Type: DC	Manufacturer: Watts	Model: 007SSQT
Size: 1	Orientation: H	Meters:
Manual: 7	0.25% Pb: No	Spare Parts Only: Yes
Approved: 11-Jan-1988	Renewed: 11-Jan-2015	Bypass:
Shutoffs: pppp		

Type: DC	Manufacturer: Watts	Model: 007SSQT
Size: 1 1/2	Orientation: H	Meters:
Manual: 7	0.25% Pb: No	Spare Parts Only: Yes
Approved: 21-Jul-1988	Renewed: 21-Jul-2015	Bypass:
Shutoffs: pppp		

Type: DC	Manufacturer: Watts	Model: 007SSQT
Size: 2	Orientation: H	Meters:
Manual: 7	0.25% Pb: No	Spare Parts Only: Yes
Approved: 21-Jul-1988	Renewed: 21-Jul-2015	Bypass:
Shutoffs: pppp		

Type: DC	Manufacturer: Watts	Model: 700
Size: 2 1/2	Orientation: H	Meters:
Manual: 5	0.25% Pb: No	Spare Parts Only: Yes
Approved: 10-Jan-1981	Renewed: 10-Jan-2014	Bypass:

Type: DC	Manufacturer: Watts	Model: 700
Size: 3	Orientation: H	Meters:
Manual: 5	0.25% Pb: No	Spare Parts Only: Yes
Approved: 10-Jan-1981	Renewed: 10-Jan-2014	Bypass:

Type: DC	Manufacturer: Watts	Model: 709
Size: 2 1/2	Orientation: H	Meters:
Manual: 7	0.25% Pb: No	Spare Parts Only: No
Approved: 12-Jun-1986	Renewed: 12-Jun-2013	Bypass:
Shutoffs: (oo),gg,hh,ll,mm,pp,tt,uu,ww,yy,ffff,gggg		

Type: DC	Manufacturer: Watts	Model: 709
Size: 3	Orientation: H	Meters:
Manual: 7	0.25% Pb: No	Spare Parts Only: No
Approved: 12-Jun-1986	Renewed: 12-Jun-2013	Bypass:
Shutoffs: (oo),gg,hh,ll,mm,pp,tt,uu,ww,yy,eee,ffff,gggg		

Type: DC	Manufacturer: Watts	Model: 709
Size: 4	Orientation: H	Meters:
Manual: 6	0.25% Pb: No	Spare Parts Only: No
Approved: 15-Jan-1982	Renewed: 15-Jan-2015	Bypass:
Shutoffs: (oo),gg,hh,ll,mm,pp,tt,uu,ww,yy,eee,ffff,gggg		

Type: DC	Manufacturer: Watts	Model: 709
Size: 4	Orientation: VU	Meters:
Manual: 8	0.25% Pb: No	Spare Parts Only: No
Approved: 11-Mar-1996	Renewed: 11-Mar-2014	Bypass:
Shutoffs: (oo),gg,hh,ll,mm,pp,tt,uu,ww,yy,eee,ffff,gggg		

Type: DC	Manufacturer: Watts	Model: 709
Size: 6	Orientation: H	Meters:
Manual: 6	0.25% Pb: No	Spare Parts Only: No
Approved: 18-May-1982	Renewed: 18-May-2015	Bypass:
Shutoffs: (oo),gg,hh,ll,mm,pp,tt,uu,ww,yy,eee,ffff,gggg		

Type: DC	Manufacturer: Watts	Model: 709
Size: 6	Orientation: VU	Meters:
Manual: 8	0.25% Pb: No	Spare Parts Only: No
Approved: 05-Dec-1996	Renewed: 05-Dec-2014	Bypass:
Shutoffs: (oo),gg,hh,ll,mm,pp,tt,uu,ww,yy,eee,ffff,gggg		

Type: DC
Size: 8
Manual: 6
Approved: 06-Jul-1981
Shutoffs: (oo),gg,hh,ll,mm,pp,tt,uu,ww,yy,eee,ffff,gggg

Manufacturer: Watts
Orientation: H
0.25% Pb: No
Renewed: 06-Jul-2014

Model: 709
Meters:
Spare Parts Only: No
Bypass:

Type: DC
Size: 8
Manual: 8
Approved: 05-Dec-1996
Shutoffs: (oo),gg,hh,ll,mm,pp,tt,uu,ww,yy,eee,ffff,gggg

Manufacturer: Watts
Orientation: VU
0.25% Pb: No
Renewed: 05-Dec-2014

Model: 709
Meters:
Spare Parts Only: No
Bypass:

Type: DC
Size: 10
Manual: 6
Approved: 16-Mar-1983
Shutoffs: (oo),gg,hh,ll,mm,pp,tt,uu,ww,yy,eee,ffff,gggg

Manufacturer: Watts
Orientation: H
0.25% Pb: No
Renewed: 16-Mar-2013

Model: 709
Meters:
Spare Parts Only: No
Bypass:

Type: DC
Size: 10
Manual: 8
Approved: 05-Dec-1996
Shutoffs: (oo),gg,hh,ll,mm,pp,tt,uu,ww,yy,eee,ffff,gggg

Manufacturer: Watts
Orientation: VU
0.25% Pb: No
Renewed: 05-Dec-2014

Model: 709
Meters:
Spare Parts Only: No
Bypass:

Type: DC
Size: 2 1/2
Manual: 6
Approved: 20-Jul-1982
Shutoffs: (oo),gg,hh,ll,mm,pp,tt,uu,yy,ffff,gggg

Manufacturer: Watts
Orientation: H
0.25% Pb: No
Renewed: 20-Jul-2015

Model: 709BB
Meters:
Spare Parts Only: No
Bypass:

Type: DC
Size: 3
Manual: 6
Approved: 20-Jul-1982
Shutoffs: (oo),gg,hh,ll,mm,pp,tt,uu,yy,ffff,gggg

Manufacturer: Watts
Orientation: H
0.25% Pb: No
Renewed: 20-Jul-2015

Model: 709BB
Meters:
Spare Parts Only: No
Bypass:

Type: DC
Size: 3/4
Manual: 6
Approved: 04-Aug-1982
Shutoffs: vv,xx,ooo,hhhh,pppp

Manufacturer: Watts
Orientation: H
0.25% Pb: No
Renewed: 04-Aug-2015

Model: 709QT
Meters:
Spare Parts Only: Yes
Bypass:

Type: DC	Manufacturer: Watts	Model: 709QT
Size: 1	Orientation: H	Meters:
Manual: 6	0.25% Pb: No	Spare Parts Only: Yes
Approved: 04-Aug-1982	Renewed: 04-Aug-2015	Bypass:
Shutoffs: vv,xx,ooo,hhhh,pppp		

Type: DC	Manufacturer: Watts	Model: 709QT
Size: 1 1/2	Orientation: H	Meters:
Manual: 6	0.25% Pb: No	Spare Parts Only: Yes
Approved: 27-Apr-1982	Renewed: 21-Apr-2015	Bypass:
Shutoffs: vv,xx,ooo,hhhh,pppp		

Type: DC	Manufacturer: Watts	Model: 709QT
Size: 2	Orientation: H	Meters:
Manual: 6	0.25% Pb: No	Spare Parts Only: Yes
Approved: 27-Apr-1982	Renewed: 21-Apr-2015	Bypass:
Shutoffs: vv,xx,ooo,hhhh,pppp		

Type: DC	Manufacturer: Watts	Model: 719AQT
Size: 1/2	Orientation: VUVD	Meters:
Manual: 9	0.25% Pb: No	Spare Parts Only: No
Approved: 04-Oct-2005	Renewed: 04-Oct-2014	Bypass:
Shutoffs: (vv),xx,ooo,hhhh,pppp,rrrr		

Type: DC	Manufacturer: Watts	Model: 719AQT
Size: 1	Orientation: VUVD	Meters:
Manual: 9	0.25% Pb: No	Spare Parts Only: No
Approved: 04-Oct-2005	Renewed: 04-Oct-2014	Bypass:
Shutoffs: (vv),xx,ooo,hhhh,pppp,rrrr		

Type: DC	Manufacturer: Watts	Model: 719AQT
Size: 1 1/4	Orientation: VUVD	Meters:
Manual: 9	0.25% Pb: No	Spare Parts Only: No
Approved: 04-Oct-2005	Renewed: 04-Oct-2014	Bypass:
Shutoffs: (vv),xx,ooo,hhhh,pppp,rrrr		

Type: DC	Manufacturer: Watts	Model: 719AQT
Size: 1 1/2	Orientation: VUVD	Meters:
Manual: 9	0.25% Pb: No	Spare Parts Only: No
Approved: 04-Oct-2005	Renewed: 04-Oct-2014	Bypass:
Shutoffs: (vv),xx,ooo,hhhh,pppp,rrrr		

Type: DC
Size: 2
Manual: 9
Approved: 04-Oct-2005
Shutoffs: (vv),xx,ooo,hhhh,pppp,rrrr

Manufacturer: Watts
Orientation: VUVD
0.25% Pb: No
Renewed: 04-Oct-2014

Model: 719AQT
Meters:
Spare Parts Only: No
Bypass:

Type: DC
Size: 1/2
Manual: 9
Approved: 03-Jul-2013
Shutoffs: (vv),xx,ooo,hhhh,pppp

Manufacturer: Watts
Orientation: VUVD
0.25% Pb: No
Renewed:

Model: 719AQTR10
Meters:
Spare Parts Only: No
Bypass:

Type: DC
Size: 3/4
Manual: 9
Approved: 03-Jul-2013
Shutoffs: (vv),xx,ooo,hhhh,pppp

Manufacturer: Watts
Orientation: VUVD
0.25% Pb: No
Renewed:

Model: 719AQTR10
Meters:
Spare Parts Only: No
Bypass:

Type: DC
Size: 1/2
Manual: 9
Approved: 04-Oct-2005
Shutoffs: (vv),xx,ooo,hhhh,pppp,rrrr

Manufacturer: Watts
Orientation: H
0.25% Pb: No
Renewed: 04-Oct-2014

Model: 719QT
Meters:
Spare Parts Only: No
Bypass:

Type: DC
Size: 1/2
Manual: 9
Approved: 04-Oct-2005
Shutoffs: (vv),xx,ooo,hhhh,pppp,rrrr

Manufacturer: Watts
Orientation: VD
0.25% Pb: No
Renewed: 04-Oct-2014

Model: 719QT
Meters:
Spare Parts Only: No
Bypass:

Type: DC
Size: 1/2
Manual: 9
Approved: 04-Oct-2005
Shutoffs: (vv),xx,ooo,hhhh,pppp,rrrr

Manufacturer: Watts
Orientation: VU
0.25% Pb: No
Renewed: 04-Oct-2014

Model: 719QT
Meters:
Spare Parts Only: No
Bypass:

Type: DC
Size: 3/4
Manual: 9
Approved: 04-Oct-2005
Shutoffs: (vv),xx,ooo,hhhh,pppp,rrrr

Manufacturer: Watts
Orientation: H
0.25% Pb: No
Renewed: 04-Oct-2014

Model: 719QT
Meters:
Spare Parts Only: No
Bypass:

Type: DC
Size: 3/4
Manual: 9
Approved: 04-Oct-2005
Shutoffs: (vv),xx,ooo,hhhh,pppp,rrrr

Manufacturer: Watts
Orientation: VD
0.25% Pb: No
Renewed: 04-Oct-2014

Model: 719QT
Meters:
Spare Parts Only: No
Bypass:

Type: DC
Size: 3/4
Manual: 9
Approved: 04-Oct-2005
Shutoffs: (vv),xx,ooo,hhhh,pppp,rrrr

Manufacturer: Watts
Orientation: VU
0.25% Pb: No
Renewed: 04-Oct-2014

Model: 719QT
Meters:
Spare Parts Only: No
Bypass:

Type: DC
Size: 1
Manual: 9
Approved: 04-Oct-2005
Shutoffs: (vv),xx,ooo,hhhh,pppp,rrrr

Manufacturer: Watts
Orientation: H
0.25% Pb: No
Renewed: 04-Oct-2014

Model: 719QT
Meters:
Spare Parts Only: No
Bypass:

Type: DC
Size: 1
Manual: 9
Approved: 04-Oct-2005
Shutoffs: (vv),xx,ooo,hhhh,pppp,rrrr

Manufacturer: Watts
Orientation: VD
0.25% Pb: No
Renewed: 04-Oct-2014

Model: 719QT
Meters:
Spare Parts Only: No
Bypass:

Type: DC
Size: 1
Manual: 9
Approved: 04-Oct-2005
Shutoffs: (vv),xx,ooo,hhhh,pppp,rrrr

Manufacturer: Watts
Orientation: VU
0.25% Pb: No
Renewed: 04-Oct-2014

Model: 719QT
Meters:
Spare Parts Only: No
Bypass:

Type: DC
Size: 1 1/4
Manual: 9
Approved: 04-Oct-2005
Shutoffs: (vv),xx,ooo,hhhh,pppp,rrrr

Manufacturer: Watts
Orientation: H
0.25% Pb: No
Renewed: 04-Oct-2014

Model: 719QT
Meters:
Spare Parts Only: No
Bypass:

Type: DC
Size: 1 1/4
Manual: 9
Approved: 04-Oct-2005
Shutoffs: (vv),xx,ooo,hhhh,pppp,rrrr

Manufacturer: Watts
Orientation: VD
0.25% Pb: No
Renewed: 04-Oct-2014

Model: 719QT
Meters:
Spare Parts Only: No
Bypass:

Type: DC
Size: 1 1/4
Manual: 9
Approved: 04-Oct-2005
Shutoffs: (vv),xx,ooo,hhhh,pppp,rrrr

Manufacturer: Watts
Orientation: VU
0.25% Pb: No
Renewed: 04-Oct-2014

Model: 719QT
Meters:
Spare Parts Only: No
Bypass:

Type: DC
Size: 1 1/2
Manual: 9
Approved: 04-Oct-2005
Shutoffs: (vv),xx,ooo,hhhh,pppp,rrrr

Manufacturer: Watts
Orientation: H
0.25% Pb: No
Renewed: 04-Oct-2014

Model: 719QT
Meters:
Spare Parts Only: No
Bypass:

Type: DC
Size: 1 1/2
Manual: 9
Approved: 04-Oct-2005
Shutoffs: (vv),xx,ooo,hhhh,pppp,rrrr

Manufacturer: Watts
Orientation: VD
0.25% Pb: No
Renewed: 04-Oct-2014

Model: 719QT
Meters:
Spare Parts Only: No
Bypass:

Type: DC
Size: 1 1/2
Manual: 9
Approved: 04-Oct-2005
Shutoffs: (vv),xx,ooo,hhhh,pppp,rrrr

Manufacturer: Watts
Orientation: VU
0.25% Pb: No
Renewed: 04-Oct-2014

Model: 719QT
Meters:
Spare Parts Only: No
Bypass:

Type: DC
Size: 2
Manual: 9
Approved: 04-Oct-2005
Shutoffs: (vv),xx,ooo,hhhh,pppp,rrrr

Manufacturer: Watts
Orientation: H
0.25% Pb: No
Renewed: 04-Oct-2014

Model: 719QT
Meters:
Spare Parts Only: No
Bypass:

Type: DC
Size: 2
Manual: 9
Approved: 04-Oct-2005
Shutoffs: (vv),xx,ooo,hhhh,pppp,rrrr

Manufacturer: Watts
Orientation: VD
0.25% Pb: No
Renewed: 04-Oct-2014

Model: 719QT
Meters:
Spare Parts Only: No
Bypass:

Type: DC
Size: 2
Manual: 9
Approved: 04-Oct-2005
Shutoffs: (vv),xx,ooo,hhhh,pppp,rrrr

Manufacturer: Watts
Orientation: VU
0.25% Pb: No
Renewed: 04-Oct-2014

Model: 719QT
Meters:
Spare Parts Only: No
Bypass:

Type: DC
Size: 1/2
Manual: 9
Approved: 04-Oct-2005
Shutoffs: (vv),xx,ooo,hhhh,pppp,rrrrr

Manufacturer: Watts
Orientation: H
0.25% Pb: No
Renewed: 04-Oct-2014

Model: 719QTR10
Meters:
Spare Parts Only: No
Bypass:

Type: DC
Size: 1/2
Manual: 9
Approved: 04-Oct-2005
Shutoffs: (vv),xx,ooo,hhhh,pppp,rrrrr

Manufacturer: Watts
Orientation: VD
0.25% Pb: No
Renewed: 04-Oct-2014

Model: 719QTR10
Meters:
Spare Parts Only: No
Bypass:

Type: DC
Size: 1/2
Manual: 9
Approved: 04-Oct-2005
Shutoffs: (vv),xx,ooo,hhhh,pppp,rrrrr

Manufacturer: Watts
Orientation: VU
0.25% Pb: No
Renewed: 04-Oct-2014

Model: 719QTR10
Meters:
Spare Parts Only: No
Bypass:

Type: DC
Size: 3/4
Manual: 9
Approved: 04-Oct-2005
Shutoffs: (vv),xx,ooo,hhhh,pppp,rrrrr

Manufacturer: Watts
Orientation: H
0.25% Pb: No
Renewed: 04-Oct-2014

Model: 719QTR10
Meters:
Spare Parts Only: No
Bypass:

Type: DC
Size: 3/4
Manual: 9
Approved: 04-Oct-2005
Shutoffs: (vv),xx,ooo,hhhh,pppp,rrrrr

Manufacturer: Watts
Orientation: VD
0.25% Pb: No
Renewed: 04-Oct-2014

Model: 719QTR10
Meters:
Spare Parts Only: No
Bypass:

Type: DC
Size: 3/4
Manual: 9
Approved: 04-Oct-2005
Shutoffs: (vv),xx,ooo,hhhh,pppp,rrrrr

Manufacturer: Watts
Orientation: VU
0.25% Pb: No
Renewed: 04-Oct-2014

Model: 719QTR10
Meters:
Spare Parts Only: No
Bypass:

Type: DC
Size: 2 1/2
Manual: 9
Approved: 29-Sep-2004
Shutoffs: (ppp),qqq,aaaa,bbbb

Manufacturer: Watts
Orientation: H
0.25% Pb: No
Renewed: 29-Sep-2013

Model: 757
Meters:
Spare Parts Only: No
Bypass:

Type: DC **Manufacturer:** Watts **Model:** 757
Size: 2 1/2 **Orientation:** H **Meters:**
Manual: 9 **0.25% Pb:** Yes **Spare Parts Only:** No
Approved: 29-Sep-2004 **Renewed:** 29-Sep-2013 **Bypass:**
Shutoffs: yyy,zzz,dddd,eeee,gggg,kkkk,llll,mmmm,nnnn,nnnnn

Type: DC **Manufacturer:** Watts **Model:** 757
Size: 2 1/2 **Orientation:** VU **Meters:**
Manual: 9 **0.25% Pb:** No **Spare Parts Only:** No
Approved: 29-Sep-2004 **Renewed:** 29-Sep-2013 **Bypass:**
Shutoffs: (ppp),qqq,aaaa,bbbb

Type: DC **Manufacturer:** Watts **Model:** 757
Size: 2 1/2 **Orientation:** VU **Meters:**
Manual: 9 **0.25% Pb:** Yes **Spare Parts Only:** No
Approved: 29-Sep-2004 **Renewed:** 29-Sep-2013 **Bypass:**
Shutoffs: yyy,zzz,dddd,eeee,gggg,kkkk,llll,mmmm,nnnn,nnnnn

Type: DC **Manufacturer:** Watts **Model:** 757
Size: 3 **Orientation:** H **Meters:**
Manual: 9 **0.25% Pb:** No **Spare Parts Only:** No
Approved: 29-Sep-2004 **Renewed:** 29-Sep-2013 **Bypass:**
Shutoffs: (ppp),qqq,aaaa,bbbb

Type: DC **Manufacturer:** Watts **Model:** 757
Size: 3 **Orientation:** H **Meters:**
Manual: 9 **0.25% Pb:** Yes **Spare Parts Only:** No
Approved: 29-Sep-2004 **Renewed:** 29-Sep-2013 **Bypass:**
Shutoffs: yyy,zzz,dddd,eeee,gggg,kkkk,llll,mmmm,nnnn,nnnnn

Type: DC **Manufacturer:** Watts **Model:** 757
Size: 3 **Orientation:** VU **Meters:**
Manual: 9 **0.25% Pb:** No **Spare Parts Only:** No
Approved: 29-Sep-2004 **Renewed:** 29-Sep-2013 **Bypass:**
Shutoffs: (ppp),qqq,aaaa,bbbb

Type: DC **Manufacturer:** Watts **Model:** 757
Size: 3 **Orientation:** VU **Meters:**
Manual: 9 **0.25% Pb:** Yes **Spare Parts Only:** No
Approved: 29-Sep-2004 **Renewed:** 29-Sep-2013 **Bypass:**
Shutoffs: yyy,zzz,dddd,eeee,gggg,kkkk,llll,mmmm,nnnn,nnnnn

Type: DC	Manufacturer: Watts	Model: 757
Size: 4	Orientation: H	Meters:
Manual: 9	0.25% Pb: No	Spare Parts Only: No
Approved: 29-Sep-2004	Renewed: 29-Sep-2013	Bypass:
Shutoffs: (ppp),qqq,aaaa,bbbb		

Type: DC	Manufacturer: Watts	Model: 757
Size: 4	Orientation: H	Meters:
Manual: 9	0.25% Pb: Yes	Spare Parts Only: No
Approved: 29-Sep-2004	Renewed: 29-Sep-2013	Bypass:
Shutoffs: yyy,zzz,dddd,eeee,gggg,kkkk,llll,mmmm,nnnn,nnnn		

Type: DC	Manufacturer: Watts	Model: 757
Size: 4	Orientation: VU	Meters:
Manual: 9	0.25% Pb: No	Spare Parts Only: No
Approved: 29-Sep-2004	Renewed: 29-Sep-2013	Bypass:
Shutoffs: (ppp),qqq,aaaa,bbbb		

Type: DC	Manufacturer: Watts	Model: 757
Size: 4	Orientation: VU	Meters:
Manual: 9	0.25% Pb: Yes	Spare Parts Only: No
Approved: 29-Sep-2004	Renewed: 29-Sep-2013	Bypass:
Shutoffs: yyy,zzz,dddd,eeee,gggg,kkkk,llll,mmmm,nnnn,nnnn		

Type: DC	Manufacturer: Watts	Model: 757
Size: 6	Orientation: H	Meters:
Manual: 9	0.25% Pb: No	Spare Parts Only: No
Approved: 21-Apr-2006	Renewed: 21-Apr-2015	Bypass:
Shutoffs: (ppp),qqq,aaaa,bbbb		

Type: DC	Manufacturer: Watts	Model: 757
Size: 6	Orientation: H	Meters:
Manual: 9	0.25% Pb: Yes	Spare Parts Only: No
Approved: 21-Apr-2006	Renewed: 21-Apr-2015	Bypass:
Shutoffs: yyy,zzz,dddd,eeee,gggg,kkkk,llll,mmmm,nnnn,nnnn		

Type: DC	Manufacturer: Watts	Model: 757
Size: 6	Orientation: VU	Meters:
Manual: 9	0.25% Pb: No	Spare Parts Only: No
Approved: 21-Apr-2006	Renewed: 21-Apr-2015	Bypass:
Shutoffs: (ppp),qqq,aaaa,bbbb		

Type: DC	Manufacturer: Watts	Model: 757
Size: 6	Orientation: VU	Meters:
Manual: 9	0.25% Pb: Yes	Spare Parts Only: No
Approved: 21-Apr-2006	Renewed: 21-Apr-2015	Bypass:
Shutoffs: yyy,zzz,dddd,eeee,gggg,kkkk,llll,mmmm,nnnn,nnnnn		

Type: DC	Manufacturer: Watts	Model: 757
Size: 8	Orientation: H	Meters:
Manual: 9	0.25% Pb: No	Spare Parts Only: No
Approved: 16-Sep-2004	Renewed: 16-Sep-2013	Bypass:
Shutoffs: (ppp),qqq,aaaa,bbbb		

Type: DC	Manufacturer: Watts	Model: 757
Size: 8	Orientation: H	Meters:
Manual: 9	0.25% Pb: Yes	Spare Parts Only: No
Approved: 16-Sep-2004	Renewed: 16-Sep-2013	Bypass:
Shutoffs: yyy,zzz,dddd,eeee,gggg,kkkk,llll,mmmm,nnnn,nnnnn		

Type: DC	Manufacturer: Watts	Model: 757
Size: 8	Orientation: VU	Meters:
Manual: 9	0.25% Pb: No	Spare Parts Only: No
Approved: 10-Feb-2006	Renewed: 10-Feb-2015	Bypass:
Shutoffs: (ppp),qqq,aaaa,bbbb		

Type: DC	Manufacturer: Watts	Model: 757
Size: 8	Orientation: VU	Meters:
Manual: 9	0.25% Pb: Yes	Spare Parts Only: No
Approved: 10-Feb-2006	Renewed: 10-Feb-2015	Bypass:
Shutoffs: yyy,zzz,dddd,eeee,gggg,kkkk,llll,mmmm,nnnn,nnnnn		

Type: DC	Manufacturer: Watts	Model: 757
Size: 10	Orientation: H	Meters:
Manual: 9	0.25% Pb: No	Spare Parts Only: No
Approved: 02-May-2008	Renewed: 02-May-2014	Bypass:
Shutoffs: (ppp),qqq,aaaa,bbbb		

Type: DC	Manufacturer: Watts	Model: 757
Size: 10	Orientation: H	Meters:
Manual: 9	0.25% Pb: Yes	Spare Parts Only: No
Approved: 02-May-2008	Renewed: 02-May-2014	Bypass:
Shutoffs: yyy,zzz,dddd,eeee,gggg,kkkk,llll,mmmm,nnnn,nnnnn		

Type: DC **Manufacturer:** Watts **Model:** 757
Size: 10 **Orientation:** VU **Meters:**
Manual: 9 **0.25% Pb:** No **Spare Parts Only:** No
Approved: 02-May-2008 **Renewed:** 02-May-2014 **Bypass:**
Shutoffs: (ppp),qqq,aaaa,bbbb

Type: DC **Manufacturer:** Watts **Model:** 757
Size: 10 **Orientation:** VU **Meters:**
Manual: 9 **0.25% Pb:** Yes **Spare Parts Only:** No
Approved: 02-May-2008 **Renewed:** 02-May-2014 **Bypass:**
Shutoffs: yyy,zzz,dddd,eeee,gggg,kkkk,llll,mmmm,nnnn,nnnn

Type: DC **Manufacturer:** Watts **Model:** 757a
Size: 2 1/2 **Orientation:** H **Meters:**
Manual: 9 **0.25% Pb:** No **Spare Parts Only:** No
Approved: 07-Oct-2002 **Renewed:** 07-Oct-2014 **Bypass:**
Shutoffs: (ppp),qqq,yyy,zzz,aaaa,bbbb,dddd,eeee,gggg,kkkk,llll,mmmm,nnnn,nnnn

Type: DC **Manufacturer:** Watts **Model:** 757a
Size: 2 1/2 **Orientation:** VU **Meters:**
Manual: 9 **0.25% Pb:** No **Spare Parts Only:** No
Approved: 07-Oct-2002 **Renewed:** 07-Oct-2014 **Bypass:**
Shutoffs: (ppp),qqq,yyy,zzz,aaaa,bbbb,dddd,eeee,gggg,kkkk,llll,mmmm,nnnn,nnnn

Type: DC **Manufacturer:** Watts **Model:** 757a
Size: 3 **Orientation:** H **Meters:**
Manual: 9 **0.25% Pb:** No **Spare Parts Only:** No
Approved: 07-Oct-2002 **Renewed:** 07-Oct-2014 **Bypass:**
Shutoffs: (ppp),qqq,yyy,zzz,aaaa,bbbb,dddd,eeee,gggg,kkkk,llll,mmmm,nnnn,nnnn

Type: DC **Manufacturer:** Watts **Model:** 757a
Size: 3 **Orientation:** VU **Meters:**
Manual: 9 **0.25% Pb:** No **Spare Parts Only:** No
Approved: 07-Oct-2002 **Renewed:** 07-Oct-2014 **Bypass:**
Shutoffs: (ppp),qqq,yyy,zzz,aaaa,bbbb,dddd,eeee,gggg,kkkk,llll,mmmm,nnnn,nnnn

Type: DC **Manufacturer:** Watts **Model:** 757a
Size: 4 **Orientation:** H **Meters:**
Manual: 9 **0.25% Pb:** No **Spare Parts Only:** No
Approved: 07-Oct-2002 **Renewed:** 07-Oct-2014 **Bypass:**
Shutoffs: (ppp),qqq,yyy,zzz,aaaa,bbbb,dddd,eeee,gggg,kkkk,llll,mmmm,nnnn,nnnn

Type: DC **Manufacturer:** Watts **Model:** 757a
Size: 4 **Orientation:** VU **Meters:**
Manual: 9 **0.25% Pb:** No **Spare Parts Only:** No
Approved: 07-Oct-2002 **Renewed:** 07-Oct-2014 **Bypass:**
Shutoffs: (ppp),qqq,yyy,zzz,aaaa,bbbb,dddd,eeee,gggg,kkkk,llll,mmmm,nnnn,nnnnn

Type: DC **Manufacturer:** Watts **Model:** 757a
Size: 6 **Orientation:** H **Meters:**
Manual: 9 **0.25% Pb:** No **Spare Parts Only:** No
Approved: 03-Jul-2003 **Renewed:** 03-Jul-2015 **Bypass:**
Shutoffs: (ppp),qqq,yyy,zzz,aaaa,bbbb,dddd,eeee,gggg,kkkk,llll,mmmm,nnnn,nnnnn

Type: DC **Manufacturer:** Watts **Model:** 757a
Size: 6 **Orientation:** VU **Meters:**
Manual: 9 **0.25% Pb:** No **Spare Parts Only:** No
Approved: 03-Jul-2003 **Renewed:** 03-Jul-2015 **Bypass:**
Shutoffs: (ppp),qqq,yyy,zzz,aaaa,bbbb,dddd,eeee,gggg,kkkk,llll,mmmm,nnnn,nnnnn

Type: DC **Manufacturer:** Watts **Model:** 757N
Size: 2 1/2 **Orientation:** VUVD **Meters:**
Manual: 9 **0.25% Pb:** No **Spare Parts Only:** No
Approved: 07-Apr-2009 **Renewed:** 07-Apr-2015 **Bypass:**
Shutoffs: (ppp),qqq,nnnnn

Type: DC **Manufacturer:** Watts **Model:** 757N
Size: 2 1/2 **Orientation:** VUVD **Meters:**
Manual: 9 **0.25% Pb:** Yes **Spare Parts Only:** No
Approved: 07-Apr-2009 **Renewed:** 07-Apr-2015 **Bypass:**
Shutoffs: yyy,zzz,dddd,eeee,dddd,gggg,kkkk,llll,mmmm,nnnn

Type: DC **Manufacturer:** Watts **Model:** 757N
Size: 3 **Orientation:** VUVD **Meters:**
Manual: 9 **0.25% Pb:** No **Spare Parts Only:** No
Approved: 07-Apr-2009 **Renewed:** 07-Apr-2015 **Bypass:**
Shutoffs: (ppp),qqq,nnnnn

Type: DC **Manufacturer:** Watts **Model:** 757N
Size: 3 **Orientation:** VUVD **Meters:**
Manual: 9 **0.25% Pb:** Yes **Spare Parts Only:** No
Approved: 07-Apr-2009 **Renewed:** 07-Apr-2015 **Bypass:**
Shutoffs: yyy,zzz,dddd,eeee,dddd,gggg,kkkk,llll,mmmm,nnnn

Type: DC	Manufacturer: Watts	Model: 757N
Size: 4	Orientation: VUVD	Meters:
Manual: 9	0.25% Pb: No	Spare Parts Only: No
Approved: 07-Apr-2009	Renewed: 07-Apr-2015	Bypass:
Shutoffs: (ppp),qqq,nnnn		

Type: DC	Manufacturer: Watts	Model: 757N
Size: 4	Orientation: VUVD	Meters:
Manual: 9	0.25% Pb: Yes	Spare Parts Only: No
Approved: 07-Apr-2009	Renewed: 07-Apr-2015	Bypass:
Shutoffs: yyy,zzz,dddd,eeee,dddd,gggg,kkkk,llll,mmmm,nnnn		

Type: DC	Manufacturer: Watts	Model: 757N
Size: 6	Orientation: VUVD	Meters:
Manual: 9	0.25% Pb: No	Spare Parts Only: No
Approved: 07-Apr-2009	Renewed: 07-Apr-2015	Bypass:
Shutoffs: (ppp),qqq,nnnn		

Type: DC	Manufacturer: Watts	Model: 757N
Size: 6	Orientation: VUVD	Meters:
Manual: 9	0.25% Pb: Yes	Spare Parts Only: No
Approved: 07-Apr-2009	Renewed: 07-Apr-2015	Bypass:
Shutoffs: yyy,zzz,dddd,eeee,dddd,gggg,kkkk,llll,mmmm,nnnn		

Type: DC	Manufacturer: Watts	Model: 757N
Size: 8	Orientation: VUVD	Meters:
Manual: 9	0.25% Pb: No	Spare Parts Only: No
Approved: 03-Jan-2013	Renewed:	Bypass:
Shutoffs: ppp,qqq,aaaa,bbbb		

Type: DC	Manufacturer: Watts	Model: 757N
Size: 8	Orientation: VUVD	Meters:
Manual: 9	0.25% Pb: Yes	Spare Parts Only: No
Approved: 03-Jan-2013	Renewed:	Bypass:
Shutoffs: yyy, zzz,dddd,eeee,gggg,kkkk,llll,mmmm,nnnn		

Type: DC	Manufacturer: Watts	Model: 757N
Size: 10	Orientation: VUVD	Meters:
Manual: 9	0.25% Pb: No	Spare Parts Only: No
Approved: 01-Sep-2009	Renewed: 01-Sep-2015	Bypass:
Shutoffs: (ppp),qqq		

Type: DC **Manufacturer:** Watts **Model:** 757N
Size: 10 **Orientation:** VUVD **Meters:**
Manual: 9 **0.25% Pb:** Yes **Spare Parts Only:** No
Approved: 01-Sep-2009 **Renewed:** 01-Sep-2015 **Bypass:**
Shutoffs: yyy,zzz,dddd,eeee,dddd,gggg,kkkk,llll,mmmm,nnnn

Type: DC **Manufacturer:** Watts **Model:** 757Na
Size: 2 1/2 **Orientation:** VUVD **Meters:**
Manual: 9 **0.25% Pb:** No **Spare Parts Only:** No
Approved: 20-Mar-2003 **Renewed:** 20-Mar-2015 **Bypass:**
Shutoffs: (ppp),qqq,yyy,zzz,aaaa,bbbb,dddd,eeee,gggg,kkkk,llll,mmmm,nnnn,nnnnn

Type: DC **Manufacturer:** Watts **Model:** 757Na
Size: 3 **Orientation:** VUVD **Meters:**
Manual: 9 **0.25% Pb:** No **Spare Parts Only:** No
Approved: 20-Mar-2003 **Renewed:** 20-Mar-2015 **Bypass:**
Shutoffs: (ppp),qqq,yyy,zzz,aaaa,bbbb,dddd,eeee,gggg,kkkk,llll,mmmm,nnnn,nnnnn

Type: DC **Manufacturer:** Watts **Model:** 757Na
Size: 4 **Orientation:** VUVD **Meters:**
Manual: 9 **0.25% Pb:** No **Spare Parts Only:** No
Approved: 20-Mar-2003 **Renewed:** 20-Mar-2015 **Bypass:**
Shutoffs: (ppp),qqq,yyy,zzz,aaaa,bbbb,dddd,eeee,gggg,kkkk,llll,mmmm,nnnn,nnnnn

Type: DC **Manufacturer:** Watts **Model:** 757Na
Size: 6 **Orientation:** VUVD **Meters:**
Manual: 9 **0.25% Pb:** No **Spare Parts Only:** No
Approved: 03-Jul-2003 **Renewed:** 03-Jul-2015 **Bypass:**
Shutoffs: (ppp),qqq,yyy,zzz,aaaa,bbbb,dddd,eeee,gggg,kkkk,llll,mmmm,nnnn,nnnnn

Type: DC **Manufacturer:** Watts **Model:** 757NQT
Size: 2 1/2 **Orientation:** VUVD **Meters:**
Manual: 9 **0.25% Pb:** Yes **Spare Parts Only:** No
Approved: 04-Dec-2009 **Renewed:** 04-Dec-2012 **Bypass:**
Shutoffs: fffff

Type: DC **Manufacturer:** Watts **Model:** 757NQT
Size: 3 **Orientation:** VUVD **Meters:**
Manual: 9 **0.25% Pb:** Yes **Spare Parts Only:** No
Approved: 04-Dec-2009 **Renewed:** 04-Dec-2012 **Bypass:**
Shutoffs: fffff

Type: DC
Size: 4
Manual: 9
Approved: 04-Dec-2009
Shutoffs: ffff

Manufacturer: Watts
Orientation: VUVD
0.25% Pb: Yes
Renewed: 04-Dec-2012

Model: 757NQT
Meters:
Spare Parts Only: No
Bypass:

Type: DC
Size: 2 1/2
Manual: 9
Approved: 04-Dec-2009
Shutoffs: ffff

Manufacturer: Watts
Orientation: H
0.25% Pb: Yes
Renewed: 04-Dec-2012

Model: 757QT
Meters:
Spare Parts Only: No
Bypass:

Type: DC
Size: 2 1/2
Manual: 9
Approved: 04-Dec-2009
Shutoffs: ffff

Manufacturer: Watts
Orientation: VU
0.25% Pb: Yes
Renewed: 04-Dec-2012

Model: 757QT
Meters:
Spare Parts Only: No
Bypass:

Type: DC
Size: 3
Manual: 9
Approved: 04-Dec-2009
Shutoffs: ffff

Manufacturer: Watts
Orientation: H
0.25% Pb: Yes
Renewed: 04-Dec-2012

Model: 757QT
Meters:
Spare Parts Only: No
Bypass:

Type: DC
Size: 3
Manual: 9
Approved: 04-Dec-2009
Shutoffs: ffff

Manufacturer: Watts
Orientation: VU
0.25% Pb: Yes
Renewed: 04-Dec-2012

Model: 757QT
Meters:
Spare Parts Only: No
Bypass:

Type: DC
Size: 4
Manual: 9
Approved: 04-Dec-2009
Shutoffs: ffff

Manufacturer: Watts
Orientation: H
0.25% Pb: Yes
Renewed: 04-Dec-2012

Model: 757QT
Meters:
Spare Parts Only: No
Bypass:

Type: DC
Size: 4
Manual: 9
Approved: 04-Dec-2009
Shutoffs: ffff

Manufacturer: Watts
Orientation: VU
0.25% Pb: Yes
Renewed: 04-Dec-2012

Model: 757QT
Meters:
Spare Parts Only: No
Bypass:

Type: DC **Manufacturer:** Watts **Model:** 767
Size: 6 **Orientation:** VU **Meters:**
Manual: 9 **0.25% Pb:** No **Spare Parts Only:** No
Approved: 10-Feb-2006 **Renewed:** 10-Feb-2015 **Bypass:**
Shutoffs: (yyy),ppp,qqq,zzz,aaaa,bbbb,dddd,eeee,gggg,kkkk,llll,mmmm,nnnn,nnnnn

Type: DC **Manufacturer:** Watts **Model:** 767
Size: 8 **Orientation:** H **Meters:**
Manual: 9 **0.25% Pb:** No **Spare Parts Only:** No
Approved: 02-May-2008 **Renewed:** 02-May-2014 **Bypass:**
Shutoffs: (yyy), ppp, qqg,zzz, aaaa, bbbb, dddd, eeee, ffff, gggg,nnnnn

Type: DC **Manufacturer:** Watts **Model:** 767
Size: 8 **Orientation:** VU **Meters:**
Manual: 9 **0.25% Pb:** No **Spare Parts Only:** No
Approved: 02-May-2008 **Renewed:** 02-May-2014 **Bypass:**
Shutoffs: (yyy), ppp, qqg,zzz, aaaa, bbbb, dddd, eeee, ffff, gggg,nnnnn

Type: DC **Manufacturer:** Watts **Model:** 767
Size: 10 **Orientation:** H **Meters:**
Manual: 9 **0.25% Pb:** No **Spare Parts Only:** No
Approved: 20-Oct-2008 **Renewed:** 20-Oct-2014 **Bypass:**
Shutoffs: (ppp),qqq,yyy,zzz,aaaa,bbbb,dddd,eeee,gggg

Type: DC **Manufacturer:** Watts **Model:** 767
Size: 10 **Orientation:** VU **Meters:**
Manual: 9 **0.25% Pb:** No **Spare Parts Only:** No
Approved: 20-Oct-2008 **Renewed:** 20-Oct-2014 **Bypass:**
Shutoffs: (ppp),qqq,yyy,zzz,aaaa,bbbb,dddd,eeee,gggg

Type: DC **Manufacturer:** Watts **Model:** 767a
Size: 2 1/2 **Orientation:** H **Meters:**
Manual: 9 **0.25% Pb:** No **Spare Parts Only:** No
Approved: 07-Oct-2002 **Renewed:** 07-Oct-2014 **Bypass:**
Shutoffs: (ppp),qqq,yyy,zzz,aaaa,bbbb,dddd,eeee,gggg,kkkk,llll,mmmm,nnnn,nnnnn

Type: DC **Manufacturer:** Watts **Model:** 767a
Size: 2 1/2 **Orientation:** VU **Meters:**
Manual: 9 **0.25% Pb:** No **Spare Parts Only:** No
Approved: 07-Oct-2002 **Renewed:** 07-Oct-2014 **Bypass:**
Shutoffs: (ppp),qqq,yyy,zzz,aaaa,bbbb,dddd,eeee,gggg,kkkk,llll,mmmm,nnnn,nnnnn

Type: DC **Manufacturer:** Watts **Model:** 767a
Size: 3 **Orientation:** H **Meters:**
Manual: 9 **0.25% Pb:** No **Spare Parts Only:** No
Approved: 07-Oct-2002 **Renewed:** 07-Oct-2014 **Bypass:**
Shutoffs: (ppp),qqq,yyy,zzz,aaaa,bbbb,dddd,eeee,gggg,kkkk,llll,mmmm,nnnn,nnnnn

Type: DC **Manufacturer:** Watts **Model:** 767a
Size: 3 **Orientation:** VU **Meters:**
Manual: 9 **0.25% Pb:** No **Spare Parts Only:** No
Approved: 07-Oct-2002 **Renewed:** 07-Oct-2014 **Bypass:**
Shutoffs: (ppp),qqq,yyy,zzz,aaaa,bbbb,dddd,eeee,gggg,kkkk,llll,mmmm,nnnn,nnnnn

Type: DC **Manufacturer:** Watts **Model:** 767a
Size: 4 **Orientation:** H **Meters:**
Manual: 9 **0.25% Pb:** No **Spare Parts Only:** No
Approved: 03-Jul-2003 **Renewed:** 03-Jul-2015 **Bypass:**
Shutoffs: (ppp),qqq,yyy,zzz,aaaa,bbbb,dddd,eeee,gggg,kkkk,llll,mmmm,nnnn,nnnnn

Type: DC **Manufacturer:** Watts **Model:** 767a
Size: 4 **Orientation:** VU **Meters:**
Manual: 9 **0.25% Pb:** No **Spare Parts Only:** No
Approved: 03-Jul-2003 **Renewed:** 03-Jul-2015 **Bypass:**
Shutoffs: (ppp),qqq,yyy,zzz,aaaa,bbbb,dddd,eeee,gggg,kkkk,llll,mmmm,nnnn,nnnnn

Type: DC **Manufacturer:** Watts **Model:** 767N
Size: 2 1/2 **Orientation:** VUVD **Meters:**
Manual: 9 **0.25% Pb:** No **Spare Parts Only:** No
Approved: 07-Apr-2009 **Renewed:** 07-Apr-2015 **Bypass:**
Shutoffs: (ppp),qqq,yyy,zzz,dddd,eeee,dddd,gggg,kkkk,llll,mmmm,nnnn,nnnnn

Type: DC **Manufacturer:** Watts **Model:** 767N
Size: 3 **Orientation:** VUVD **Meters:**
Manual: 9 **0.25% Pb:** No **Spare Parts Only:** No
Approved: 07-Apr-2009 **Renewed:** 07-Apr-2015 **Bypass:**
Shutoffs: (ppp),qqq,yyy,zzz,dddd,eeee,dddd,gggg,kkkk,llll,mmmm,nnnn,nnnnn

Type: DC **Manufacturer:** Watts **Model:** 767N
Size: 4 **Orientation:** VUVD **Meters:**
Manual: 9 **0.25% Pb:** No **Spare Parts Only:** No
Approved: 07-Apr-2009 **Renewed:** 07-Apr-2015 **Bypass:**
Shutoffs: (ppp),qqq,yyy,zzz,dddd,eeee,dddd,gggg,kkkk,llll,mmmm,nnnn,nnnnn

Type: DC **Manufacturer:** Watts **Model:** 767N
Size: 6 **Orientation:** VUVD **Meters:**
Manual: 9 **0.25% Pb:** No **Spare Parts Only:** No
Approved: 03-Jan-2013 **Renewed:** **Bypass:**
Shutoffs: ppp,qqq,aaaa,bbbb

Type: DC **Manufacturer:** Watts **Model:** 767N
Size: 6 **Orientation:** VUVD **Meters:**
Manual: 9 **0.25% Pb:** Yes **Spare Parts Only:** No
Approved: 03-Jan-2013 **Renewed:** **Bypass:**
Shutoffs: yyy,zzz,dddd,eeee,gggg,kkkk,llll,mmmm,nnnn

Type: DC **Manufacturer:** Watts **Model:** 767N
Size: 8 **Orientation:** VUVD **Meters:**
Manual: 9 **0.25% Pb:** No **Spare Parts Only:** No
Approved: 01-Sep-2009 **Renewed:** 01-Sep-2015 **Bypass:**
Shutoffs: (ppp),qqq,yyy,zzz,dddd,eeee,dddd,gggg,kkkk,llll,mmmm,nnnn,nnnnn

Type: DC **Manufacturer:** Watts **Model:** 767Na
Size: 2 1/2 **Orientation:** VUVD **Meters:**
Manual: 9 **0.25% Pb:** No **Spare Parts Only:** No
Approved: 20-Mar-2003 **Renewed:** 20-Mar-2015 **Bypass:**
Shutoffs: (ppp),qqq,yyy,zzz,aaaa,bbbb,dddd,eeee,gggg,kkkk,llll,mmmm,nnnn,nnnnn

Type: DC **Manufacturer:** Watts **Model:** 767Na
Size: 3 **Orientation:** VUVD **Meters:**
Manual: 9 **0.25% Pb:** No **Spare Parts Only:** No
Approved: 20-Mar-2003 **Renewed:** 20-Mar-2015 **Bypass:**
Shutoffs: (ppp),qqq,yyy,zzz,aaaa,bbbb,dddd,eeee,gggg,kkkk,llll,mmmm,nnnn,nnnnn

Type: DC **Manufacturer:** Watts **Model:** 767Na
Size: 4 **Orientation:** VUVD **Meters:**
Manual: 9 **0.25% Pb:** No **Spare Parts Only:** No
Approved: 03-Jul-2003 **Renewed:** 03-Jul-2015 **Bypass:**
Shutoffs: (ppp),qqq,yyy,zzz,aaaa,bbbb,dddd,eeee,gggg,kkkk,llll,mmmm,nnnn,nnnnn

Type: DC **Manufacturer:** Watts **Model:** 770
Size: 4 **Orientation:** H **Meters:**
Manual: 8 **0.25% Pb:** No **Spare Parts Only:** Yes
Approved: 20-May-1992 **Renewed:** 20-May-2013 **Bypass:**
Shutoffs: oo,gg,hh,ll,mm,pp,tt,uu,yy

Type: DC **Manufacturer:** Watts **Model:** 770
Size: 8 **Orientation:** H **Meters:**
Manual: 8 **0.25% Pb:** No **Spare Parts Only:** Yes
Approved: 13-Jan-1993 **Renewed:** 13-Jan-2014 **Bypass:**
Shutoffs: oo,gg,hh,ll,mm,pp,tt,uu,yy

Type: DC **Manufacturer:** Watts **Model:** 770QTFDA
Size: 4 **Orientation:** H **Meters:**
Manual: 8 **0.25% Pb:** No **Spare Parts Only:** Yes
Approved: 12-Jan-1993 **Renewed:** 13-Jan-2014 **Bypass:**
Shutoffs: ww

Type: DC **Manufacturer:** Watts **Model:** 770QTFDA
Size: 8 **Orientation:** H **Meters:**
Manual: 8 **0.25% Pb:** No **Spare Parts Only:** Yes
Approved: 12-Jan-1993 **Renewed:** 13-Jan-2014 **Bypass:**
Shutoffs: ww

Type: DC **Manufacturer:** Watts **Model:** 772
Size: 4 **Orientation:** H **Meters:**
Manual: 8 **0.25% Pb:** No **Spare Parts Only:** Yes
Approved: 01-Jul-1992 **Renewed:** 01-Jul-2013 **Bypass:**
Shutoffs: oo,yy

Type: DC **Manufacturer:** Watts **Model:** 772
Size: 10 **Orientation:** H **Meters:**
Manual: 8 **0.25% Pb:** No **Spare Parts Only:** Yes
Approved: 13-Jan-1993 **Renewed:** 13-Jan-2014 **Bypass:**
Shutoffs: oo,yy

Type: DC **Manufacturer:** Watts **Model:** 774
Size: 2 1/2 **Orientation:** H **Meters:**
Manual: 8 **0.25% Pb:** No **Spare Parts Only:** No
Approved: 11-Jul-1991 **Renewed:** 11-Jul-2015 **Bypass:**
Shutoffs: (tt),ee,ff,gg,hh,pp,uu,ccc,ddd

Type: DC **Manufacturer:** Watts **Model:** 774
Size: 2 1/2 **Orientation:** H **Meters:**
Manual: 8 **0.25% Pb:** Yes **Spare Parts Only:** No
Approved: 11-Jul-1991 **Renewed:** 11-Jul-2015 **Bypass:**
Shutoffs: ll,mm,oo,ffff,gggg

Type: DC	Manufacturer: Watts	Model: 774
Size: 3	Orientation: H	Meters:
Manual: 8	0.25% Pb: No	Spare Parts Only: No
Approved: 11-Jul-1991	Renewed: 11-Jul-2015	Bypass:
Shutoffs: (tt),ee,ff,gg,hh,pp,uu,ccc,ddd		

Type: DC	Manufacturer: Watts	Model: 774
Size: 3	Orientation: H	Meters:
Manual: 8	0.25% Pb: Yes	Spare Parts Only: No
Approved: 11-Jul-1991	Renewed: 11-Jul-2015	Bypass:
Shutoffs: ll,mm,oo,ffff,gggg		

Type: DC	Manufacturer: Watts	Model: 774
Size: 4	Orientation: H	Meters:
Manual: 8	0.25% Pb: No	Spare Parts Only: No
Approved: 11-Jul-1991	Renewed: 11-Jul-2015	Bypass:
Shutoffs: (tt),ee,ff,gg,hh,pp,uu,ccc,ddd		

Type: DC	Manufacturer: Watts	Model: 774
Size: 4	Orientation: H	Meters:
Manual: 8	0.25% Pb: Yes	Spare Parts Only: No
Approved: 11-Jul-1991	Renewed: 11-Jul-2015	Bypass:
Shutoffs: ll,mm,oo,ffff,gggg		

Type: DC	Manufacturer: Watts	Model: 774
Size: 6	Orientation: H	Meters:
Manual: 8	0.25% Pb: No	Spare Parts Only: No
Approved: 09-Sep-1992	Renewed: 09-Sep-2013	Bypass:
Shutoffs: (tt),ee,ff,gg,hh,pp,uu,ccc,ddd		

Type: DC	Manufacturer: Watts	Model: 774
Size: 6	Orientation: H	Meters:
Manual: 8	0.25% Pb: Yes	Spare Parts Only: No
Approved: 09-Sep-1992	Renewed: 09-Sep-2013	Bypass:
Shutoffs: ll,mm,oo,ffff,gggg		

Type: DC	Manufacturer: Watts	Model: 774
Size: 8	Orientation: H	Meters:
Manual: 8	0.25% Pb: No	Spare Parts Only: No
Approved: 16-Sep-1996	Renewed: 16-Sep-2014	Bypass:
Shutoffs: (tt),ee,ff,gg,hh,pp,uu,ccc,ddd		

Type: DC
Size: 8
Manual: 8
Approved: 16-Sep-1996
Shutoffs: ll,mm,oo,ffff,gggg

Manufacturer: Watts
Orientation: H
0.25% Pb: Yes
Renewed: 16-Sep-2014

Model: 774
Meters:
Spare Parts Only: No
Bypass:

Type: DC
Size: 10
Manual: 8
Approved: 16-Feb-2001
Shutoffs: (ll),mm,ffff,gggg

Manufacturer: Watts
Orientation: H
0.25% Pb: Yes
Renewed: 16-Feb-2013

Model: 774
Meters:
Spare Parts Only: No
Bypass:

Type: DC
Size: 12
Manual: 9
Approved: 12-Jan-2010
Shutoffs: hh,gg

Manufacturer: Watts
Orientation: H
0.25% Pb: No
Renewed: 12-Jan-2013

Model: 774
Meters:
Spare Parts Only: No
Bypass:

Type: DC
Size: 12
Manual: 9
Approved: 12-Jan-2010
Shutoffs: (ll),mm

Manufacturer: Watts
Orientation: H
0.25% Pb: No
Renewed: 12-Jan-2013

Model: 774
Meters:
Spare Parts Only: No
Bypass:

Type: DC
Size: 12
Manual: 9
Approved: 21-Mar-2011
Shutoffs: pp,

Manufacturer: Watts
Orientation: VU
0.25% Pb: No
Renewed: 21-Mar-2014

Model: 774
Meters:
Spare Parts Only: No
Bypass:

Type: DC
Size: 12
Manual: 9
Approved: 21-Mar-2011
Shutoffs: (ll),mm,oo

Manufacturer: Watts
Orientation: VU
0.25% Pb: Yes
Renewed: 21-Mar-2014

Model: 774
Meters:
Spare Parts Only: No
Bypass:

Type: DC
Size: 2 1/2
Manual: 8
Approved: 10-Sep-1996
Shutoffs: (mm),ee,ff,gg,hh,ll,oo,pp,tt,uu,ccc,ddd,ffff,gggg

Manufacturer: Watts
Orientation: H
0.25% Pb: No
Renewed: 10-Sep-2014

Model: 774X
Meters:
Spare Parts Only: No
Bypass:

Type: DC **Manufacturer:** Watts **Model:** 774X
Size: 6 **Orientation:** H **Meters:**
Manual: 8 **0.25% Pb:** No **Spare Parts Only:** Yes
Approved: 22-Nov-1993 **Renewed:** 22-Nov-2014 **Bypass:**
Shutoffs: tt,ee,ff,gg,hh,ll,mm,oo,pp,uu,ccc,ddd,ffff,gggg

Type: DC **Manufacturer:** Watts **Model:** 774X
Size: 8 **Orientation:** H **Meters:**
Manual: 8 **0.25% Pb:** No **Spare Parts Only:** Yes
Approved: 09-Sep-1992 **Renewed:** 09-Sep-2013 **Bypass:**
Shutoffs: tt,ee,ff,gg,hh,ll,mm,oo,pp,uu,ccc,ddd,ffff,gggg

Type: DC **Manufacturer:** Watts **Model:** 775QT
Size: 1/2 **Orientation:** H **Meters:**
Manual: 9 **0.25% Pb:** No **Spare Parts Only:** Yes
Approved: 01-Feb-2000 **Renewed:** 01-Feb-2015 **Bypass:**
Shutoffs: int

Type: DC **Manufacturer:** Watts **Model:** 775QT
Size: 1/2 **Orientation:** VU **Meters:**
Manual: 9 **0.25% Pb:** No **Spare Parts Only:** Yes
Approved: 01-Feb-2000 **Renewed:** 01-Feb-2015 **Bypass:**
Shutoffs: int

Type: DC **Manufacturer:** Watts **Model:** 775QT
Size: 3/4 **Orientation:** H **Meters:**
Manual: 9 **0.25% Pb:** No **Spare Parts Only:** Yes
Approved: 01-Feb-2000 **Renewed:** 01-Feb-2015 **Bypass:**
Shutoffs: int

Type: DC **Manufacturer:** Watts **Model:** 775QT
Size: 3/4 **Orientation:** VU **Meters:**
Manual: 9 **0.25% Pb:** No **Spare Parts Only:** Yes
Approved: 01-Feb-2000 **Renewed:** 01-Feb-2015 **Bypass:**
Shutoffs: int

Type: DC **Manufacturer:** Watts **Model:** 775QT
Size: 1 **Orientation:** H **Meters:**
Manual: 9 **0.25% Pb:** No **Spare Parts Only:** Yes
Approved: 12-Aug-1999 **Renewed:** 12-Aug-2014 **Bypass:**
Shutoffs: int

Type: DC	Manufacturer: Watts	Model: 775QT
Size: 1	Orientation: VU	Meters:
Manual: 9	0.25% Pb: No	Spare Parts Only: Yes
Approved: 12-Aug-1999	Renewed: 12-Aug-2014	Bypass:
Shutoffs: int		

Type: DC	Manufacturer: Watts	Model: 775QT
Size: 1 1/4	Orientation: H	Meters:
Manual: 9	0.25% Pb: No	Spare Parts Only: Yes
Approved: 07-Sep-2000	Renewed: 07-Sep-2015	Bypass:
Shutoffs: int		

Type: DC	Manufacturer: Watts	Model: 775QT
Size: 1 1/4	Orientation: VU	Meters:
Manual: 9	0.25% Pb: No	Spare Parts Only: Yes
Approved: 07-Sep-2000	Renewed: 07-Sep-2015	Bypass:
Shutoffs: int		

Type: DC	Manufacturer: Watts	Model: 775QT
Size: 1 1/2	Orientation: H	Meters:
Manual: 9	0.25% Pb: No	Spare Parts Only: Yes
Approved: 07-Sep-2000	Renewed: 07-Sep-2015	Bypass:
Shutoffs: int		

Type: DC	Manufacturer: Watts	Model: 775QT
Size: 1 1/2	Orientation: VU	Meters:
Manual: 9	0.25% Pb: No	Spare Parts Only: Yes
Approved: 07-Sep-2000	Renewed: 07-Sep-2015	Bypass:
Shutoffs: int		

Type: DC	Manufacturer: Watts	Model: 775QT
Size: 2	Orientation: H	Meters:
Manual: 9	0.25% Pb: No	Spare Parts Only: Yes
Approved: 28-Mar-2002	Renewed: 28-Mar-2014	Bypass:
Shutoffs: int		

Type: DC	Manufacturer: Watts	Model: 775QT
Size: 2	Orientation: VU	Meters:
Manual: 9	0.25% Pb: No	Spare Parts Only: Yes
Approved: 28-Mar-2002	Renewed: 28-Mar-2014	Bypass:
Shutoffs: int		

Type: DC
Size: 3/4
Manual: 9
Approved: 13-Mar-2015
Shutoffs: (hhhh),rrrr

Manufacturer: Watts
Orientation: H
0.25% Pb: Yes
Renewed:

Model: LF007M3PCQT
Meters:
Spare Parts Only: No
Bypass:

Type: DC
Size: 3/4
Manual: 9
Approved: 13-Mar-2015
Shutoffs: (hhhh),rrrr

Manufacturer: Watts
Orientation: VU
0.25% Pb: Yes
Renewed:

Model: LF007M3PCQT
Meters:
Spare Parts Only: No
Bypass:

Type: DC
Size: 3/4
Manual: 9
Approved: 11-Jan-2008
Shutoffs: (hhhh),rrrr

Manufacturer: Watts
Orientation: H
0.25% Pb: Yes
Renewed: 11-Jan-2014

Model: LF007M3QT
Meters:
Spare Parts Only: No
Bypass:

Type: DC
Size: 3/4
Manual: 9
Approved: 11-Jan-2008
Shutoffs: (hhhh),rrrr

Manufacturer: Watts
Orientation: VU
0.25% Pb: Yes
Renewed: 11-Jan-2014

Model: LF007M3QT
Meters:
Spare Parts Only: No
Bypass:

Type: DC
Size: 1/2
Manual: 9
Approved: 13-Mar-2015
Shutoffs: (hhhh),rrrr

Manufacturer: Watts
Orientation: H
0.25% Pb: Yes
Renewed:

Model: LF007PCQT
Meters:
Spare Parts Only: No
Bypass:

Type: DC
Size: 1/2
Manual: 9
Approved: 13-Mar-2015
Shutoffs: (hhhh),rrrr

Manufacturer: Watts
Orientation: VU
0.25% Pb: Yes
Renewed:

Model: LF007PCQT
Meters:
Spare Parts Only: No
Bypass:

Type: DC
Size: 1/2
Manual: 9
Approved: 11-Jan-2008
Shutoffs: (hhhh),rrrr

Manufacturer: Watts
Orientation: H
0.25% Pb: Yes
Renewed: 11-Jan-2014

Model: LF007QT
Meters:
Spare Parts Only: No
Bypass:

Type: DC
Size: 1 1/4
Manual: 9
Approved: 22-Aug-2005
Shutoffs: hhhh,rrrr

Manufacturer: Watts
Orientation: VUVD
0.25% Pb: Yes
Renewed: 22-Aug-2014

Model: LF719AQT
Meters:
Spare Parts Only: No
Bypass:

Type: DC
Size: 1 1/2
Manual: 9
Approved: 22-Aug-2005
Shutoffs: (vv),xx,ooo,pppp,rrrr

Manufacturer: Watts
Orientation: VUVD
0.25% Pb: No
Renewed: 22-Aug-2014

Model: LF719AQT
Meters:
Spare Parts Only: No
Bypass:

Type: DC
Size: 1 1/2
Manual: 9
Approved: 22-Aug-2005
Shutoffs: hhhh,rrrr

Manufacturer: Watts
Orientation: VUVD
0.25% Pb: Yes
Renewed: 22-Aug-2014

Model: LF719AQT
Meters:
Spare Parts Only: No
Bypass:

Type: DC
Size: 2
Manual: 9
Approved: 22-Aug-2005
Shutoffs: (vv),xx,ooo,pppp,rrrr

Manufacturer: Watts
Orientation: VUVD
0.25% Pb: No
Renewed: 22-Aug-2014

Model: LF719AQT
Meters:
Spare Parts Only: No
Bypass:

Type: DC
Size: 2
Manual: 9
Approved: 22-Aug-2005
Shutoffs: hhhh,rrrr

Manufacturer: Watts
Orientation: VUVD
0.25% Pb: Yes
Renewed: 22-Aug-2014

Model: LF719AQT
Meters:
Spare Parts Only: No
Bypass:

Type: DC
Size: 1/2
Manual: 9
Approved: 03-Jul-2013
Shutoffs: (hhhh)

Manufacturer: Watts
Orientation: H
0.25% Pb: Yes
Renewed:

Model: LF719QT
Meters:
Spare Parts Only: No
Bypass:

Type: DC
Size: 1/2
Manual: 9
Approved: 03-Jul-2013
Shutoffs: (hhhh)

Manufacturer: Watts
Orientation: VD
0.25% Pb: Yes
Renewed:

Model: LF719QT
Meters:
Spare Parts Only: No
Bypass:

Type: DC
Size: 1
Manual: 9
Approved: 22-Aug-2005
Shutoffs: hhhh,rrrrr

Manufacturer: Watts
Orientation: VD
0.25% Pb: Yes
Renewed: 22-Aug-2014

Model: LF719QT
Meters:
Spare Parts Only: No
Bypass:

Type: DC
Size: 1
Manual: 9
Approved: 22-Aug-2005
Shutoffs: (vv),xx,ooo,pppp,rrrrr

Manufacturer: Watts
Orientation: VU
0.25% Pb: No
Renewed: 22-Aug-2014

Model: LF719QT
Meters:
Spare Parts Only: No
Bypass:

Type: DC
Size: 1
Manual: 9
Approved: 22-Aug-2005
Shutoffs: hhhh,rrrrr

Manufacturer: Watts
Orientation: VU
0.25% Pb: Yes
Renewed: 22-Aug-2014

Model: LF719QT
Meters:
Spare Parts Only: No
Bypass:

Type: DC
Size: 1 1/4
Manual: 9
Approved: 22-Aug-2005
Shutoffs: (vv),xx,ooo,pppp,rrrrr

Manufacturer: Watts
Orientation: H
0.25% Pb: No
Renewed: 22-Aug-2014

Model: LF719QT
Meters:
Spare Parts Only: No
Bypass:

Type: DC
Size: 1 1/4
Manual: 9
Approved: 22-Aug-2005
Shutoffs: hhhh,rrrrr

Manufacturer: Watts
Orientation: H
0.25% Pb: Yes
Renewed: 22-Aug-2014

Model: LF719QT
Meters:
Spare Parts Only: No
Bypass:

Type: DC
Size: 1 1/4
Manual: 9
Approved: 22-Aug-2005
Shutoffs: (vv),xx,ooo,pppp,rrrrr

Manufacturer: Watts
Orientation: VD
0.25% Pb: No
Renewed: 22-Aug-2014

Model: LF719QT
Meters:
Spare Parts Only: No
Bypass:

Type: DC
Size: 1 1/4
Manual: 9
Approved: 22-Aug-2005
Shutoffs: hhhh,rrrrr

Manufacturer: Watts
Orientation: VD
0.25% Pb: Yes
Renewed: 22-Aug-2014

Model: LF719QT
Meters:
Spare Parts Only: No
Bypass:

Type: DC
Size: 1 1/4
Manual: 9
Approved: 22-Aug-2005
Shutoffs: (vv),xx,ooo,pppp,rrrrr

Manufacturer: Watts
Orientation: VU
0.25% Pb: No
Renewed: 22-Aug-2014

Model: LF719QT
Meters:
Spare Parts Only: No
Bypass:

Type: DC
Size: 1 1/4
Manual: 9
Approved: 22-Aug-2005
Shutoffs: hhhh,rrrrr

Manufacturer: Watts
Orientation: VU
0.25% Pb: Yes
Renewed: 22-Aug-2014

Model: LF719QT
Meters:
Spare Parts Only: No
Bypass:

Type: DC
Size: 1 1/2
Manual: 9
Approved: 22-Aug-2005
Shutoffs: (vv),xx,ooo,pppp,rrrrr

Manufacturer: Watts
Orientation: H
0.25% Pb: No
Renewed: 22-Aug-2014

Model: LF719QT
Meters:
Spare Parts Only: No
Bypass:

Type: DC
Size: 1 1/2
Manual: 9
Approved: 22-Aug-2005
Shutoffs: hhhh,rrrrr

Manufacturer: Watts
Orientation: H
0.25% Pb: Yes
Renewed: 22-Aug-2014

Model: LF719QT
Meters:
Spare Parts Only: No
Bypass:

Type: DC
Size: 1 1/2
Manual: 9
Approved: 22-Aug-2005
Shutoffs: (vv),xx,ooo,pppp,rrrrr

Manufacturer: Watts
Orientation: VD
0.25% Pb: No
Renewed: 22-Aug-2014

Model: LF719QT
Meters:
Spare Parts Only: No
Bypass:

Type: DC
Size: 1 1/2
Manual: 9
Approved: 22-Aug-2005
Shutoffs: hhhh,rrrrr

Manufacturer: Watts
Orientation: VD
0.25% Pb: Yes
Renewed: 22-Aug-2014

Model: LF719QT
Meters:
Spare Parts Only: No
Bypass:

Type: DC
Size: 1 1/2
Manual: 9
Approved: 22-Aug-2005
Shutoffs: (vv),xx,ooo,pppp,rrrrr

Manufacturer: Watts
Orientation: VU
0.25% Pb: No
Renewed: 22-Aug-2014

Model: LF719QT
Meters:
Spare Parts Only: No
Bypass:

Type: DC **Manufacturer:** Watts **Model:** LF719QT
Size: 1 1/2 **Orientation:** VU **Meters:**
Manual: 9 **0.25% Pb:** Yes **Spare Parts Only:** No
Approved: 22-Aug-2005 **Renewed:** 22-Aug-2014 **Bypass:**
Shutoffs: hhhh,rrrrr

Type: DC **Manufacturer:** Watts **Model:** LF719QT
Size: 2 **Orientation:** H **Meters:**
Manual: 9 **0.25% Pb:** No **Spare Parts Only:** No
Approved: 22-Aug-2005 **Renewed:** 22-Aug-2014 **Bypass:**
Shutoffs: (vv),xx,ooo,pppp,rrrrr

Type: DC **Manufacturer:** Watts **Model:** LF719QT
Size: 2 **Orientation:** H **Meters:**
Manual: 9 **0.25% Pb:** Yes **Spare Parts Only:** No
Approved: 22-Aug-2005 **Renewed:** 22-Aug-2014 **Bypass:**
Shutoffs: hhhh,rrrrr

Type: DC **Manufacturer:** Watts **Model:** LF719QT
Size: 2 **Orientation:** VD **Meters:**
Manual: 9 **0.25% Pb:** No **Spare Parts Only:** No
Approved: 22-Aug-2005 **Renewed:** 22-Aug-2014 **Bypass:**
Shutoffs: (vv),xx,ooo,pppp,rrrrr

Type: DC **Manufacturer:** Watts **Model:** LF719QT
Size: 2 **Orientation:** VD **Meters:**
Manual: 9 **0.25% Pb:** Yes **Spare Parts Only:** No
Approved: 22-Aug-2005 **Renewed:** 22-Aug-2014 **Bypass:**
Shutoffs: hhhh,rrrrr

Type: DC **Manufacturer:** Watts **Model:** LF719QT
Size: 2 **Orientation:** VU **Meters:**
Manual: 9 **0.25% Pb:** No **Spare Parts Only:** No
Approved: 22-Aug-2005 **Renewed:** 22-Aug-2014 **Bypass:**
Shutoffs: (vv),xx,ooo,pppp,rrrrr

Type: DC **Manufacturer:** Watts **Model:** LF719QT
Size: 2 **Orientation:** VU **Meters:**
Manual: 9 **0.25% Pb:** Yes **Spare Parts Only:** No
Approved: 22-Aug-2005 **Renewed:** 22-Aug-2014 **Bypass:**
Shutoffs: hhhh,rrrrr

Type: DC
Size: 1/2
Manual: 9
Approved: 22-Aug-2005
Shutoffs: (vv),xx,ooo,hhhh,pppp,rrrr

Manufacturer: Watts
Orientation: H
0.25% Pb: No
Renewed: 22-Aug-2014

Model: LF719QTR10
Meters:
Spare Parts Only: No
Bypass:

Type: DC
Size: 1/2
Manual: 9
Approved: 22-Aug-2005
Shutoffs: (vv),xx,ooo,hhhh,pppp,rrrr

Manufacturer: Watts
Orientation: VD
0.25% Pb: No
Renewed: 22-Aug-2014

Model: LF719QTR10
Meters:
Spare Parts Only: No
Bypass:

Type: DC
Size: 1/2
Manual: 9
Approved: 22-Aug-2005
Shutoffs: (vv),xx,ooo,hhhh,pppp,rrrr

Manufacturer: Watts
Orientation: VU
0.25% Pb: No
Renewed: 22-Aug-2014

Model: LF719QTR10
Meters:
Spare Parts Only: No
Bypass:

Type: DC
Size: 3/4
Manual: 9
Approved: 22-Aug-2005
Shutoffs: (vv),xx,ooo,hhhh,pppp,rrrr

Manufacturer: Watts
Orientation: H
0.25% Pb: No
Renewed: 22-Aug-2014

Model: LF719QTR10
Meters:
Spare Parts Only: No
Bypass:

Type: DC
Size: 3/4
Manual: 9
Approved: 22-Aug-2005
Shutoffs: (vv),xx,ooo,hhhh,pppp,rrrr

Manufacturer: Watts
Orientation: VD
0.25% Pb: No
Renewed: 22-Aug-2014

Model: LF719QTR10
Meters:
Spare Parts Only: No
Bypass:

Type: DC
Size: 3/4
Manual: 9
Approved: 22-Aug-2005
Shutoffs: (vv),xx,ooo,hhhh,pppp,rrrr

Manufacturer: Watts
Orientation: VU
0.25% Pb: No
Renewed: 22-Aug-2014

Model: LF719QTR10
Meters:
Spare Parts Only: No
Bypass:

Type: DC
Size: 1
Manual: 9
Approved: 22-Aug-2005
Shutoffs: (vv),xx,ooo,pppp

Manufacturer: Watts
Orientation: H
0.25% Pb: No
Renewed: 22-Aug-2014

Model: LFU719QT
Meters:
Spare Parts Only: No
Bypass:

Type: DC
Size: 1
Manual: 9
Approved: 22-Aug-2005
Shutoffs: hhhh

Manufacturer: Watts
Orientation: H
0.25% Pb: Yes
Renewed: 22-Aug-2014

Model: LFU719QT
Meters:
Spare Parts Only: No
Bypass:

Type: DC
Size: 1
Manual: 9
Approved: 22-Aug-2005
Shutoffs: (vv),xx,ooo,pppp

Manufacturer: Watts
Orientation: VD
0.25% Pb: No
Renewed: 22-Aug-2014

Model: LFU719QT
Meters:
Spare Parts Only: No
Bypass:

Type: DC
Size: 1
Manual: 9
Approved: 22-Aug-2005
Shutoffs: hhhh

Manufacturer: Watts
Orientation: VD
0.25% Pb: Yes
Renewed: 22-Aug-2014

Model: LFU719QT
Meters:
Spare Parts Only: No
Bypass:

Type: DC
Size: 1
Manual: 9
Approved: 22-Aug-2005
Shutoffs: (vv),xx,ooo,pppp

Manufacturer: Watts
Orientation: VU
0.25% Pb: No
Renewed: 22-Aug-2014

Model: LFU719QT
Meters:
Spare Parts Only: No
Bypass:

Type: DC
Size: 1
Manual: 9
Approved: 22-Aug-2005
Shutoffs: hhhh

Manufacturer: Watts
Orientation: VU
0.25% Pb: Yes
Renewed: 22-Aug-2014

Model: LFU719QT
Meters:
Spare Parts Only: No
Bypass:

Type: DC
Size: 1 1/4
Manual: 9
Approved: 22-Aug-2005
Shutoffs: (vv),xx,ooo,pppp

Manufacturer: Watts
Orientation: H
0.25% Pb: No
Renewed: 22-Aug-2014

Model: LFU719QT
Meters:
Spare Parts Only: No
Bypass:

Type: DC
Size: 1 1/4
Manual: 9
Approved: 22-Aug-2005
Shutoffs: hhhh

Manufacturer: Watts
Orientation: H
0.25% Pb: Yes
Renewed: 22-Aug-2014

Model: LFU719QT
Meters:
Spare Parts Only: No
Bypass:

Type: DC
Size: 1 1/4
Manual: 9
Approved: 22-Aug-2005
Shutoffs: (vv),xx,ooo,pppp

Manufacturer: Watts
Orientation: VD
0.25% Pb: No
Renewed: 22-Aug-2014

Model: LFU719QT
Meters:
Spare Parts Only: No
Bypass:

Type: DC
Size: 1 1/4
Manual: 9
Approved: 22-Aug-2005
Shutoffs: hhhh

Manufacturer: Watts
Orientation: VD
0.25% Pb: Yes
Renewed: 22-Aug-2014

Model: LFU719QT
Meters:
Spare Parts Only: No
Bypass:

Type: DC
Size: 1 1/4
Manual: 9
Approved: 22-Aug-2005
Shutoffs: (vv),xx,ooo,pppp

Manufacturer: Watts
Orientation: VU
0.25% Pb: No
Renewed: 22-Aug-2014

Model: LFU719QT
Meters:
Spare Parts Only: No
Bypass:

Type: DC
Size: 1 1/4
Manual: 9
Approved: 22-Aug-2005
Shutoffs: hhhh

Manufacturer: Watts
Orientation: VU
0.25% Pb: Yes
Renewed: 22-Aug-2014

Model: LFU719QT
Meters:
Spare Parts Only: No
Bypass:

Type: DC
Size: 1 1/2
Manual: 9
Approved: 22-Aug-2005
Shutoffs: (vv),xx,ooo,pppp

Manufacturer: Watts
Orientation: H
0.25% Pb: No
Renewed: 22-Aug-2014

Model: LFU719QT
Meters:
Spare Parts Only: No
Bypass:

Type: DC
Size: 1 1/2
Manual: 9
Approved: 22-Aug-2005
Shutoffs: hhhh

Manufacturer: Watts
Orientation: H
0.25% Pb: Yes
Renewed: 22-Aug-2014

Model: LFU719QT
Meters:
Spare Parts Only: No
Bypass:

Type: DC
Size: 1 1/2
Manual: 9
Approved: 22-Aug-2005
Shutoffs: (vv),xx,ooo,pppp

Manufacturer: Watts
Orientation: VD
0.25% Pb: No
Renewed: 22-Aug-2014

Model: LFU719QT
Meters:
Spare Parts Only: No
Bypass:

Type: DC
Size: 1 1/2
Manual: 9
Approved: 22-Aug-2005
Shutoffs: hhhh

Manufacturer: Watts
Orientation: VD
0.25% Pb: Yes
Renewed: 22-Aug-2014

Model: LFU719QT
Meters:
Spare Parts Only: No
Bypass:

Type: DC
Size: 1 1/2
Manual: 9
Approved: 22-Aug-2005
Shutoffs: (vv),xx,ooo,pppp

Manufacturer: Watts
Orientation: VU
0.25% Pb: No
Renewed: 22-Aug-2014

Model: LFU719QT
Meters:
Spare Parts Only: No
Bypass:

Type: DC
Size: 1 1/2
Manual: 9
Approved: 22-Aug-2005
Shutoffs: hhhh

Manufacturer: Watts
Orientation: VU
0.25% Pb: Yes
Renewed: 22-Aug-2014

Model: LFU719QT
Meters:
Spare Parts Only: No
Bypass:

Type: DC
Size: 2
Manual: 9
Approved: 22-Aug-2005
Shutoffs: (vv),xx,ooo,pppp

Manufacturer: Watts
Orientation: H
0.25% Pb: No
Renewed: 22-Aug-2014

Model: LFU719QT
Meters:
Spare Parts Only: No
Bypass:

Type: DC
Size: 2
Manual: 9
Approved: 22-Aug-2005
Shutoffs: hhhh

Manufacturer: Watts
Orientation: H
0.25% Pb: Yes
Renewed: 22-Aug-2014

Model: LFU719QT
Meters:
Spare Parts Only: No
Bypass:

Type: DC
Size: 2
Manual: 9
Approved: 22-Aug-2005
Shutoffs: (vv),xx,ooo,pppp

Manufacturer: Watts
Orientation: VD
0.25% Pb: No
Renewed: 22-Aug-2014

Model: LFU719QT
Meters:
Spare Parts Only: No
Bypass:

Type: DC
Size: 2
Manual: 9
Approved: 22-Aug-2005
Shutoffs: hhhh

Manufacturer: Watts
Orientation: VD
0.25% Pb: Yes
Renewed: 22-Aug-2014

Model: LFU719QT
Meters:
Spare Parts Only: No
Bypass:

Type: DC
Size: 2
Manual: 9
Approved: 22-Aug-2005
Shutoffs: (vv),xx,ooo,pppp

Manufacturer: Watts
Orientation: VU
0.25% Pb: No
Renewed: 22-Aug-2014

Model: LFU719QT
Meters:
Spare Parts Only: No
Bypass:

Type: DC
Size: 2
Manual: 9
Approved: 22-Aug-2005
Shutoffs: hhhh

Manufacturer: Watts
Orientation: VU
0.25% Pb: Yes
Renewed: 22-Aug-2014

Model: LFU719QT
Meters:
Spare Parts Only: No
Bypass:

Type: DC
Size: 1
Manual: 9
Approved: 18-May-1998
Shutoffs: (hhh)

Manufacturer: Watts
Orientation: H
0.25% Pb: Yes
Renewed: 18-May-2013

Model: SS007M1QT
Meters:
Spare Parts Only: No
Bypass:

Type: DC
Size: 1
Manual: 9
Approved: 18-May-1998
Shutoffs: (hhh)

Manufacturer: Watts
Orientation: VU
0.25% Pb: Yes
Renewed: 18-May-2013

Model: SS007M1QT
Meters:
Spare Parts Only: No
Bypass:

Type: DC
Size: 1/2
Manual: 9
Approved: 11-Sep-2000
Shutoffs: (hhh)

Manufacturer: Watts
Orientation: H
0.25% Pb: Yes
Renewed: 11-Sep-2015

Model: SS007M3QT
Meters:
Spare Parts Only: No
Bypass:

Type: DC
Size: 1/2
Manual: 9
Approved: 11-Sep-2000
Shutoffs: (hhh)

Manufacturer: Watts
Orientation: VU
0.25% Pb: Yes
Renewed: 11-Sep-2015

Model: SS007M3QT
Meters:
Spare Parts Only: No
Bypass:

Type: DC
Size: 3/4
Manual: 9
Approved: 07-Sep-2000
Shutoffs: (hhh)

Manufacturer: Watts
Orientation: H
0.25% Pb: Yes
Renewed: 07-Sep-2015

Model: SS007M3QT
Meters:
Spare Parts Only: No
Bypass:

Type: DC
Size: 3/4
Manual: 9
Approved: 07-Sep-2000
Shutoffs: (hhh)

Manufacturer: Watts
Orientation: VU
0.25% Pb: Yes
Renewed: 07-Sep-2015

Model: SS007M3QT
Meters:
Spare Parts Only: No
Bypass:

Type: DC
Size: 3/4
Manual: 8
Approved: 10-Dec-1994
Shutoffs: (vv),xx,ooo,hhhh,pppp

Manufacturer: Watts
Orientation: VDVD
0.25% Pb: No
Renewed: 10-Dec-2012

Model: U007M1APCQT
Meters:
Spare Parts Only: No
Bypass:

Type: DC
Size: 3/4
Manual: 8
Approved: 10-Dec-1994
Shutoffs: (vv),xx,ooo,hhhh,pppp

Manufacturer: Watts
Orientation: VDVU
0.25% Pb: No
Renewed: 10-Dec-2012

Model: U007M1APCQT
Meters:
Spare Parts Only: No
Bypass:

Type: DC
Size: 3/4
Manual: 8
Approved: 10-Dec-1994
Shutoffs: (vv),xx,ooo,hhhh,pppp

Manufacturer: Watts
Orientation: VUVD
0.25% Pb: No
Renewed: 10-Dec-2012

Model: U007M1APCQT
Meters:
Spare Parts Only: No
Bypass:

Type: DC
Size: 3/4
Manual: 8
Approved: 10-Dec-1994
Shutoffs: (vv),xx,ooo,hhhh,pppp

Manufacturer: Watts
Orientation: VUVU
0.25% Pb: No
Renewed: 10-Dec-2012

Model: U007M1APCQT
Meters:
Spare Parts Only: No
Bypass:

Type: DC
Size: 2
Manual: 8
Approved: 27-Sep-1994
Shutoffs: (vv),xx,ooo,hhhh,pppp

Manufacturer: Watts
Orientation: VDVD
0.25% Pb: No
Renewed: 27-Sep-2015

Model: U007M1APCQT
Meters:
Spare Parts Only: No
Bypass:

Type: DC
Size: 2
Manual: 8
Approved: 27-Sep-1994
Shutoffs: (vv),xx,ooo,hhhh,pppp

Manufacturer: Watts
Orientation: VDVU
0.25% Pb: No
Renewed: 27-Sep-2015

Model: U007M1APCQT
Meters:
Spare Parts Only: No
Bypass:

Type: DC	Manufacturer: Watts	Model: U007M1APCQT
Size: 2	Orientation: VUVD	Meters:
Manual: 8	0.25% Pb: No	Spare Parts Only: No
Approved: 27-Sep-1994	Renewed: 27-Sep-2015	Bypass:
Shutoffs: (vv),xx,ooo,hhhh,pppp		

Type: DC	Manufacturer: Watts	Model: U007M1APCQT
Size: 2	Orientation: VUVU	Meters:
Manual: 8	0.25% Pb: No	Spare Parts Only: No
Approved: 27-Sep-1994	Renewed: 27-Sep-2015	Bypass:
Shutoffs: (vv),xx,ooo,hhhh,pppp		

Type: DC	Manufacturer: Watts	Model: U007M1AQT
Size: 3/4	Orientation: VDVD	Meters:
Manual: 8	0.25% Pb: No	Spare Parts Only: No
Approved: 24-Feb-1994	Renewed: 24-Feb-2015	Bypass:
Shutoffs: (vv),xx,ooo,hhhh,pppp		

Type: DC	Manufacturer: Watts	Model: U007M1AQT
Size: 3/4	Orientation: VDVU	Meters:
Manual: 8	0.25% Pb: No	Spare Parts Only: No
Approved: 24-Feb-1994	Renewed: 24-Feb-2015	Bypass:
Shutoffs: (vv),xx,ooo,hhhh,pppp		

Type: DC	Manufacturer: Watts	Model: U007M1AQT
Size: 3/4	Orientation: VUVD	Meters:
Manual: 8	0.25% Pb: No	Spare Parts Only: No
Approved: 24-Feb-1994	Renewed: 24-Feb-2015	Bypass:
Shutoffs: (vv),xx,ooo,hhhh,pppp		

Type: DC	Manufacturer: Watts	Model: U007M1AQT
Size: 3/4	Orientation: VUVU	Meters:
Manual: 8	0.25% Pb: No	Spare Parts Only: No
Approved: 24-Feb-1994	Renewed: 24-Feb-2015	Bypass:
Shutoffs: (vv),xx,ooo,hhhh,pppp		

Type: DC	Manufacturer: Watts	Model: U007M1AQT
Size: 2	Orientation: VDVD	Meters:
Manual: 8	0.25% Pb: No	Spare Parts Only: No
Approved: 24-Feb-1994	Renewed: 24-Feb-2015	Bypass:
Shutoffs: (vv),xx,ooo,hhhh,pppp		

Type: DC	Manufacturer: Watts	Model: U007M1AQT
Size: 2	Orientation: VDVU	Meters:
Manual: 8	0.25% Pb: No	Spare Parts Only: No
Approved: 24-Feb-1994	Renewed: 24-Feb-2015	Bypass:
Shutoffs: (vv),xx,ooo,hhhh,pppp		

Type: DC	Manufacturer: Watts	Model: U007M1AQT
Size: 2	Orientation: VUVD	Meters:
Manual: 8	0.25% Pb: No	Spare Parts Only: No
Approved: 24-Feb-1994	Renewed: 24-Feb-2015	Bypass:
Shutoffs: (vv),xx,ooo,hhhh,pppp		

Type: DC	Manufacturer: Watts	Model: U007M1AQT
Size: 2	Orientation: VUVU	Meters:
Manual: 8	0.25% Pb: No	Spare Parts Only: No
Approved: 24-Feb-1994	Renewed: 24-Feb-2015	Bypass:
Shutoffs: (vv),xx,ooo,hhhh,pppp		

Type: DC	Manufacturer: Watts	Model: U007M1PCQT
Size: 3/4	Orientation: H	Meters:
Manual: 8	0.25% Pb: No	Spare Parts Only: No
Approved: 10-Dec-1993	Renewed: 10-Dec-2014	Bypass:
Shutoffs: (vv),xx,ooo,hhhh,pppp		

Type: DC	Manufacturer: Watts	Model: U007M1PCQT
Size: 1	Orientation: H	Meters:
Manual: 8	0.25% Pb: No	Spare Parts Only: No
Approved: 10-Dec-1993	Renewed: 10-Dec-2014	Bypass:
Shutoffs: (vv),xx,ooo,hhhh,pppp		

Type: DC	Manufacturer: Watts	Model: U007M1PCQT
Size: 1 1/2	Orientation: H	Meters:
Manual: 8	0.25% Pb: No	Spare Parts Only: No
Approved: 27-Sep-1994	Renewed: 27-Sep-2015	Bypass:
Shutoffs: (vv),xx,ooo,hhhh,pppp		

Type: DC	Manufacturer: Watts	Model: U007M1PCQT
Size: 2	Orientation: H	Meters:
Manual: 8	0.25% Pb: No	Spare Parts Only: No
Approved: 27-Sep-1994	Renewed: 27-Sep-2015	Bypass:
Shutoffs: (vv),xx,ooo,hhhh,pppp		

Type: DC
Size: 3/4
Manual: 8
Approved: 30-Aug-1993
Shutoffs: (vv),xx,ooo,hhhh,pppp

Manufacturer: Watts
Orientation: H
0.25% Pb: No
Renewed: 28-Aug-2014

Model: U007M1QT
Meters:
Spare Parts Only: No
Bypass:

Type: DC
Size: 1
Manual: 8
Approved: 30-Aug-1993
Shutoffs: (vv),xx,ooo,hhhh,pppp

Manufacturer: Watts
Orientation: H
0.25% Pb: No
Renewed: 30-Aug-2014

Model: U007M1QT
Meters:
Spare Parts Only: No
Bypass:

Type: DC
Size: 1 1/2
Manual: 8
Approved: 20-Oct-1993
Shutoffs: vv,xx,ooo,hhhh,pppp

Manufacturer: Watts
Orientation: H
0.25% Pb: No
Renewed: 20-Oct-2014

Model: U007M1QT
Meters:
Spare Parts Only: Yes
Bypass:

Type: DC
Size: 2
Manual: 8
Approved: 20-Oct-1993
Shutoffs: (vv),xx,ooo,hhhh,pppp

Manufacturer: Watts
Orientation: H
0.25% Pb: No
Renewed: 20-Oct-2014

Model: U007M1QT
Meters:
Spare Parts Only: No
Bypass:

Type: DC
Size: 1 1/2
Manual: 8
Approved: 06-Sep-1994
Shutoffs: (vv),xx,ooo,hhhh,pppp

Manufacturer: Watts
Orientation: VDVD
0.25% Pb: No
Renewed: 06-Sep-2015

Model: U007M2AQT
Meters:
Spare Parts Only: No
Bypass:

Type: DC
Size: 1 1/2
Manual: 8
Approved: 06-Sep-1994
Shutoffs: (vv),xx,ooo,hhhh,pppp

Manufacturer: Watts
Orientation: VDVU
0.25% Pb: No
Renewed: 06-Sep-2015

Model: U007M2AQT
Meters:
Spare Parts Only: No
Bypass:

Type: DC
Size: 1 1/2
Manual: 8
Approved: 06-Sep-1994
Shutoffs: (vv),xx,ooo,hhhh,pppp

Manufacturer: Watts
Orientation: VUVD
0.25% Pb: No
Renewed: 06-Sep-2015

Model: U007M2AQT
Meters:
Spare Parts Only: No
Bypass:

Type: DC
Size: 1 1/2
Manual: 8
Approved: 06-Sep-1994
Shutoffs: (vv),xx,ooo,hhhh,pppp

Manufacturer: Watts
Orientation: VUVU
0.25% Pb: No
Renewed: 06-Sep-2015

Model: U007M2AQT
Meters:
Spare Parts Only: No
Bypass:

Type: DC
Size: 1 1/4
Manual: 8
Approved: 01-Oct-1996
Shutoffs: (vv),xx,ooo,hhhh,pppp

Manufacturer: Watts
Orientation: H
0.25% Pb: No
Renewed: 01-Oct-2014

Model: U007M2QT
Meters:
Spare Parts Only: No
Bypass:

Type: DC
Size: 1 1/2
Manual: 8
Approved: 06-Sep-1994
Shutoffs: (vv),xx,ooo,hhhh,pppp

Manufacturer: Watts
Orientation: H
0.25% Pb: No
Renewed: 06-Sep-2015

Model: U007M2QT
Meters:
Spare Parts Only: No
Bypass:

Type: DC
Size: 3/4
Manual: 8
Approved: 10-Dec-1993
Shutoffs: vv,xx,ooo,hhhh,pppp

Manufacturer: Watts
Orientation: H
0.25% Pb: No
Renewed: 10-Dec-2014

Model: U007PCQT
Meters:
Spare Parts Only: Yes
Bypass:

Type: DC
Size: 1
Manual: 8
Approved: 10-Dec-1993
Shutoffs: vv,xx,ooo,hhhh,pppp

Manufacturer: Watts
Orientation: H
0.25% Pb: No
Renewed: 10-Dec-2014

Model: U007PCQT
Meters:
Spare Parts Only: Yes
Bypass:

Type: DC
Size: 1 1/2
Manual: 8
Approved: 27-Sep-1994
Shutoffs: vv,xx,ooo,hhhh,pppp

Manufacturer: Watts
Orientation: H
0.25% Pb: No
Renewed: 27-Sep-2015

Model: U007PCQT
Meters:
Spare Parts Only: Yes
Bypass:

Type: DC
Size: 2
Manual: 8
Approved: 27-Sep-1994
Shutoffs: vv,xx,ooo,hhhh,pppp

Manufacturer: Watts
Orientation: H
0.25% Pb: No
Renewed: 27-Sep-2015

Model: U007PCQT
Meters:
Spare Parts Only: Yes
Bypass:

Type: DC	Manufacturer: Watts	Model: U007QT
Size: 1/2	Orientation: H	Meters:
Manual: 9	0.25% Pb: No	Spare Parts Only: No
Approved: 08-Mar-1999	Renewed: 08-Mar-2014	Bypass:
Shutoffs: (vv),xx,ooo,hhhh,pppp		

Type: DC	Manufacturer: Watts	Model: U007QT
Size: 1/2	Orientation: VU	Meters:
Manual: 9	0.25% Pb: No	Spare Parts Only: No
Approved: 08-Mar-1999	Renewed: 08-Mar-2014	Bypass:
Shutoffs: (vv),xx,ooo,hhhh,pppp		

Type: DC	Manufacturer: Watts	Model: U007QT
Size: 3/4	Orientation: H	Meters:
Manual: 7	0.25% Pb: No	Spare Parts Only: Yes
Approved: 11-Jan-1988	Renewed: 11-Jan-2015	Bypass:
Shutoffs: vv,xx,ooo,hhhh,pppp		

Type: DC	Manufacturer: Watts	Model: U007QT
Size: 1	Orientation: H	Meters:
Manual: 7	0.25% Pb: No	Spare Parts Only: Yes
Approved: 11-Jan-1988	Renewed: 11-Jan-2015	Bypass:
Shutoffs: vv,xx,ooo,hhhh,pppp		

Type: DC	Manufacturer: Watts	Model: U007QT
Size: 1 1/2	Orientation: H	Meters:
Manual: 7	0.25% Pb: No	Spare Parts Only: Yes
Approved: 21-Jul-1988	Renewed: 21-Jul-2015	Bypass:
Shutoffs: vv,xx,ooo,hhhh,pppp		

Type: DC	Manufacturer: Watts	Model: U007QT
Size: 2	Orientation: H	Meters:
Manual: 7	0.25% Pb: No	Spare Parts Only: Yes
Approved: 21-Jul-1988	Renewed: 21-Jul-2015	Bypass:
Shutoffs: vv,xx,ooo,hhhh,pppp		

Type: DC	Manufacturer: Watts	Model: U007SSPCQT
Size: 3/4	Orientation: H	Meters:
Manual: 8	0.25% Pb: No	Spare Parts Only: Yes
Approved: 10-Dec-1993	Renewed: 10-Dec-2014	Bypass:
Shutoffs: vv,xx,pppp		

Type: DC
Size: 1
Manual: 8
Approved: 10-Dec-1993
Shutoffs: vv,xx,pppp

Manufacturer: Watts
Orientation: H
0.25% Pb: No
Renewed: 10-Dec-2014

Model: U007SSPCQT
Meters:
Spare Parts Only: Yes
Bypass:

Type: DC
Size: 1 1/2
Manual: 8
Approved: 27-Sep-1994
Shutoffs: vv,xx,pppp

Manufacturer: Watts
Orientation: H
0.25% Pb: No
Renewed: 27-Sep-2015

Model: U007SSPCQT
Meters:
Spare Parts Only: Yes
Bypass:

Type: DC
Size: 2
Manual: 8
Approved: 27-Sep-1994
Shutoffs: vv,xx,pppp

Manufacturer: Watts
Orientation: H
0.25% Pb: No
Renewed: 27-Sep-2015

Model: U007SSPCQT
Meters:
Spare Parts Only: Yes
Bypass:

Type: DC
Size: 3/4
Manual: 7
Approved: 11-Jan-1988
Shutoffs: vv,xx,pppp

Manufacturer: Watts
Orientation: H
0.25% Pb: No
Renewed: 11-Jan-2015

Model: U007SSQT
Meters:
Spare Parts Only: Yes
Bypass:

Type: DC
Size: 1
Manual: 7
Approved: 11-Jan-1988
Shutoffs: vv,xx,pppp

Manufacturer: Watts
Orientation: H
0.25% Pb: No
Renewed: 11-Jan-2015

Model: U007SSQT
Meters:
Spare Parts Only: Yes
Bypass:

Type: DC
Size: 1 1/2
Manual: 7
Approved: 21-Jul-1988
Shutoffs: vv,xx,pppp

Manufacturer: Watts
Orientation: H
0.25% Pb: No
Renewed: 21-Jul-2015

Model: U007SSQT
Meters:
Spare Parts Only: Yes
Bypass:

Type: DC
Size: 2
Manual: 7
Approved: 21-Jul-1988
Shutoffs: vv,xx,pppp

Manufacturer: Watts
Orientation: H
0.25% Pb: No
Renewed: 21-Jul-2015

Model: U007SSQT
Meters:
Spare Parts Only: Yes
Bypass:

Type: DC **Manufacturer:** Watts **Model:** U719QT
Size: 1/2 **Orientation:** **Meters:**
Manual: **0.25% Pb:** No **Spare Parts Only:** No
Approved: **Renewed:** **Bypass:**
Notes: model designation changed to U719QTR10

Type: DC **Manufacturer:** Watts **Model:** U719QT
Size: 1/2 **Orientation:** **Meters:**
Manual: **0.25% Pb:** No **Spare Parts Only:** No
Approved: **Renewed:** **Bypass:**
Notes: model designation changed to U719QTR10

Type: DC **Manufacturer:** Watts **Model:** U719QT
Size: 1/2 **Orientation:** **Meters:**
Manual: **0.25% Pb:** No **Spare Parts Only:** No
Approved: **Renewed:** **Bypass:**
Notes: model designation changed to U719QTR10

Type: DC **Manufacturer:** Watts **Model:** U719QT
Size: 3/4 **Orientation:** **Meters:**
Manual: **0.25% Pb:** No **Spare Parts Only:** No
Approved: **Renewed:** **Bypass:**
Notes: model designation changed to U719QTR10

Type: DC **Manufacturer:** Watts **Model:** U719QT
Size: 3/4 **Orientation:** **Meters:**
Manual: **0.25% Pb:** No **Spare Parts Only:** No
Approved: **Renewed:** **Bypass:**
Notes: model designation changed to U719QTR10

Type: DC **Manufacturer:** Watts **Model:** U719QT
Size: 3/4 **Orientation:** **Meters:**
Manual: **0.25% Pb:** No **Spare Parts Only:** No
Approved: **Renewed:** **Bypass:**
Notes: model designation changed to U719QTR10

Type: DC **Manufacturer:** Watts **Model:** U719QT
Size: 1 **Orientation:** H **Meters:**
Manual: 9 **0.25% Pb:** No **Spare Parts Only:** No
Approved: 04-Oct-2005 **Renewed:** 04-Oct-2014 **Bypass:**
Shutoffs: (vv),xx,ooo,hhhh,pppp

Type: DC
Size: 1
Manual: 9
Approved: 04-Oct-2005
Shutoffs: (vv),xx,ooo,hhhh,pppp

Manufacturer: Watts
Orientation: VD
0.25% Pb: No
Renewed: 04-Oct-2014

Model: U719QT
Meters:
Spare Parts Only: No
Bypass:

Type: DC
Size: 1
Manual: 9
Approved: 04-Oct-2005
Shutoffs: (vv),xx,ooo,hhhh,pppp

Manufacturer: Watts
Orientation: VU
0.25% Pb: No
Renewed: 04-Oct-2014

Model: U719QT
Meters:
Spare Parts Only: No
Bypass:

Type: DC
Size: 1 1/4
Manual: 9
Approved: 04-Oct-2005
Shutoffs: (vv),xx,ooo,hhhh,pppp

Manufacturer: Watts
Orientation: H
0.25% Pb: No
Renewed: 04-Oct-2014

Model: U719QT
Meters:
Spare Parts Only: No
Bypass:

Type: DC
Size: 1 1/4
Manual: 9
Approved: 04-Oct-2005
Shutoffs: (vv),xx,ooo,hhhh,pppp

Manufacturer: Watts
Orientation: VD
0.25% Pb: No
Renewed: 04-Oct-2014

Model: U719QT
Meters:
Spare Parts Only: No
Bypass:

Type: DC
Size: 1 1/4
Manual: 9
Approved: 04-Oct-2005
Shutoffs: (vv),xx,ooo,hhhh,pppp

Manufacturer: Watts
Orientation: VU
0.25% Pb: No
Renewed: 04-Oct-2014

Model: U719QT
Meters:
Spare Parts Only: No
Bypass:

Type: DC
Size: 1 1/2
Manual: 9
Approved: 04-Oct-2005
Shutoffs: (vv),xx,ooo,hhhh,pppp

Manufacturer: Watts
Orientation: H
0.25% Pb: No
Renewed: 04-Oct-2014

Model: U719QT
Meters:
Spare Parts Only: No
Bypass:

Type: DC
Size: 1 1/2
Manual: 9
Approved: 04-Oct-2005
Shutoffs: (vv),xx,ooo,hhhh,pppp

Manufacturer: Watts
Orientation: VD
0.25% Pb: No
Renewed: 04-Oct-2014

Model: U719QT
Meters:
Spare Parts Only: No
Bypass:

Type: DC
Size: 1 1/2
Manual: 9
Approved: 04-Oct-2005
Shutoffs: (vv),xx,ooo,hhhh,pppp

Manufacturer: Watts
Orientation: VU
0.25% Pb: No
Renewed: 04-Oct-2014

Model: U719QT
Meters:
Spare Parts Only: No
Bypass:

Type: DC
Size: 2
Manual: 9
Approved: 04-Oct-2005
Shutoffs: (vv),xx,ooo,hhhh,pppp

Manufacturer: Watts
Orientation: H
0.25% Pb: No
Renewed: 04-Oct-2014

Model: U719QT
Meters:
Spare Parts Only: No
Bypass:

Type: DC
Size: 2
Manual: 9
Approved: 04-Oct-2005
Shutoffs: (vv),xx,ooo,hhhh,pppp

Manufacturer: Watts
Orientation: VD
0.25% Pb: No
Renewed: 04-Oct-2014

Model: U719QT
Meters:
Spare Parts Only: No
Bypass:

Type: DC
Size: 2
Manual: 9
Approved: 04-Oct-2005
Shutoffs: (vv),xx,ooo,hhhh,pppp

Manufacturer: Watts
Orientation: VU
0.25% Pb: No
Renewed: 04-Oct-2014

Model: U719QT
Meters:
Spare Parts Only: No
Bypass:

Type: DC
Size: 1/2
Manual: 9
Approved: 04-Oct-2005
Shutoffs: (vv),xx,ooo,hhhh,pppp
Notes: formerly U719QT

Manufacturer: Watts
Orientation: H
0.25% Pb: No
Renewed: 04-Oct-2014

Model: U719QTR10
Meters:
Spare Parts Only: No
Bypass:

Type: DC
Size: 1/2
Manual: 9
Approved: 04-Oct-2005
Shutoffs: (vv),xx,ooo,hhhh,pppp
Notes: formerly U719QT

Manufacturer: Watts
Orientation: VD
0.25% Pb: No
Renewed: 04-Oct-2014

Model: U719QTR10
Meters:
Spare Parts Only: No
Bypass:

Type: DC
Size: 1/2
Manual: 9
Approved: 04-Oct-2005
Shutoffs: (vv),xx,ooo,hhhh,pppp
Notes: formerly U719QT

Manufacturer: Watts
Orientation: VU
0.25% Pb: No
Renewed: 04-Oct-2014

Model: U719QTR10
Meters:
Spare Parts Only: No
Bypass:

Type: DC
Size: 3/4
Manual: 9
Approved: 04-Oct-2005
Shutoffs: (vv),xx,ooo,hhhh,pppp
Notes: formerly U719QT

Manufacturer: Watts
Orientation: H
0.25% Pb: No
Renewed: 04-Oct-2014

Model: U719QTR10
Meters:
Spare Parts Only: No
Bypass:

Type: DC
Size: 3/4
Manual: 9
Approved: 04-Oct-2005
Shutoffs: (vv),xx,ooo,hhhh,pppp
Notes: formerly U719QT

Manufacturer: Watts
Orientation: VD
0.25% Pb: No
Renewed: 04-Oct-2014

Model: U719QTR10
Meters:
Spare Parts Only: No
Bypass:

Type: DC
Size: 3/4
Manual: 9
Approved: 04-Oct-2005
Shutoffs: (vv),xx,ooo,hhhh,pppp
Notes: formerly U719QT

Manufacturer: Watts
Orientation: VU
0.25% Pb: No
Renewed: 04-Oct-2014

Model: U719QTR10
Meters:
Spare Parts Only: No
Bypass:

Type: DC
Size: 3/4
Manual: 9
Approved: 06-Jul-2005
Shutoffs: (ii),ooo

Manufacturer: Wilkins
Orientation: H
0.25% Pb: No
Renewed: 06-Jul-2014

Model: 350
Meters:
Spare Parts Only: No
Bypass:

Type: DC
Size: 3/4
Manual: 9
Approved: 06-Jul-2005
Shutoffs: (ii),ooo

Manufacturer: Wilkins
Orientation: VU
0.25% Pb: No
Renewed: 06-Jul-2014

Model: 350
Meters:
Spare Parts Only: No
Bypass:

Type: DC **Manufacturer:** Wilkins **Model:** 350
Size: 1 **Orientation:** H **Meters:**
Manual: 9 **0.25% Pb:** No **Spare Parts Only:** No
Approved: 21-Apr-2006 **Renewed:** 21-Apr-2015 **Bypass:**
Shutoffs: (ii),000

Type: DC **Manufacturer:** Wilkins **Model:** 350
Size: 1 **Orientation:** VU **Meters:**
Manual: 9 **0.25% Pb:** No **Spare Parts Only:** No
Approved: 21-Apr-2006 **Renewed:** 21-Apr-2015 **Bypass:**
Shutoffs: (ii),000

Type: DC **Manufacturer:** Wilkins **Model:** 350
Size: 1 1/4 **Orientation:** H **Meters:**
Manual: 9 **0.25% Pb:** No **Spare Parts Only:** No
Approved: 08-Jan-2009 **Renewed:** 08-Jan-2015 **Bypass:**
Shutoffs: (int)

Type: DC **Manufacturer:** Wilkins **Model:** 350
Size: 1 1/4 **Orientation:** VU **Meters:**
Manual: 9 **0.25% Pb:** No **Spare Parts Only:** No
Approved: 08-Jan-2009 **Renewed:** 08-Jan-2015 **Bypass:**
Shutoffs: (int)

Type: DC **Manufacturer:** Wilkins **Model:** 350
Size: 1 1/2 **Orientation:** H **Meters:**
Manual: 9 **0.25% Pb:** No **Spare Parts Only:** No
Approved: 08-Jan-2009 **Renewed:** 08-Jan-2015 **Bypass:**
Shutoffs: (int)

Type: DC **Manufacturer:** Wilkins **Model:** 350
Size: 1 1/2 **Orientation:** VU **Meters:**
Manual: 9 **0.25% Pb:** No **Spare Parts Only:** No
Approved: 08-Jan-2009 **Renewed:** 08-Jan-2015 **Bypass:**
Shutoffs: (int)

Type: DC **Manufacturer:** Wilkins **Model:** 350
Size: 2 **Orientation:** H **Meters:**
Manual: 9 **0.25% Pb:** No **Spare Parts Only:** No
Approved: 08-Jan-2009 **Renewed:** 08-Jan-2015 **Bypass:**
Shutoffs: (int)

Type: DC **Manufacturer:** Wilkins **Model:** 350
Size: 2 **Orientation:** VU **Meters:**
Manual: 9 **0.25% Pb:** No **Spare Parts Only:** No
Approved: 08-Jan-2009 **Renewed:** 08-Jan-2015 **Bypass:**
Shutoffs: (int)

Type: DC **Manufacturer:** Wilkins **Model:** 350
Size: 2 1/2 **Orientation:** H **Meters:**
Manual: 9 **0.25% Pb:** No **Spare Parts Only:** No
Approved: 05-Sep-2001 **Renewed:** 05-Sep-2013 **Bypass:**
Shutoffs: (gg),ee,ff,hh,ll,mm,tt,uu,yy,zz,ppp,qqq,zzz,dddd,ssss,ttt,vvvv,wwww,yyyy,zzzz,kkkkk
Notes: Up to serial number J35214

Type: DC **Manufacturer:** Wilkins **Model:** 350
Size: 2 1/2 **Orientation:** H **Meters:**
Manual: 9 **0.25% Pb:** Yes **Spare Parts Only:** No
Approved: 09-Sep-2010 **Renewed:** 09-Sep-2013 **Bypass:**
Shutoffs: (gg),hh,ppp,qqq,ssss,ttt,vvvv,wwww,yyyy,zzzz,kkkkk
Notes: Serial number J35214 and higher

Type: DC **Manufacturer:** Wilkins **Model:** 350
Size: 2 1/2 **Orientation:** VU **Meters:**
Manual: 9 **0.25% Pb:** Yes **Spare Parts Only:** No
Approved: 09-Sep-2010 **Renewed:** 09-Sep-2013 **Bypass:**
Shutoffs: (gg),ee,ff,hh,ll,mm,tt,uu,yy,zz,ppp,qqq,zzz,dddd,ssss,ttt,vvvv,wwww,yyyy,zzzz,kkkkk
Notes: Serial number J35214 and higher

Type: DC **Manufacturer:** Wilkins **Model:** 350
Size: 2 1/2 **Orientation:** VU **Meters:**
Manual: 9 **0.25% Pb:** No **Spare Parts Only:** No
Approved: 03-Apr-2002 **Renewed:** 03-Apr-2014 **Bypass:**
Shutoffs: (gg),hh,ppp,qqq,ssss,ttt,vvvv,wwww,yyyy,zzzz,kkkkk
Notes: Up to serial number J35214

Type: DC **Manufacturer:** Wilkins **Model:** 350
Size: 3 **Orientation:** H **Meters:**
Manual: 9 **0.25% Pb:** No **Spare Parts Only:** No
Approved: 05-Sep-2001 **Renewed:** 05-Sep-2013 **Bypass:**
Shutoffs: (gg),ee,ff,hh,ll,mm,tt,uu,yy,zz,ppp,qqq,zzz,dddd,ssss,ttt,vvvv,wwww,yyyy,zzzz,kkkkk
Notes: Up to serial number J35214

Type: DC **Manufacturer:** Wilkins **Model:** 350
Size: 3 **Orientation:** H **Meters:**
Manual: 9 **0.25% Pb:** Yes **Spare Parts Only:** No
Approved: 09-Sep-2010 **Renewed:** 09-Sep-2013 **Bypass:**
Shutoffs: (gg),hh,ppp,qqq,ssss,tttt,vvvv,www,yyy,zzzz,kkkkk
Notes: Serial number J35214 and higher

Type: DC **Manufacturer:** Wilkins **Model:** 350
Size: 3 **Orientation:** VU **Meters:**
Manual: 9 **0.25% Pb:** Yes **Spare Parts Only:** No
Approved: 09-Sep-2010 **Renewed:** 09-Sep-2013 **Bypass:**
Shutoffs: (gg),hh,ppp,qqq,ssss,tttt,vvvv,www,yyy,zzzz,kkkkk
Notes: Serial number J35214 and higher

Type: DC **Manufacturer:** Wilkins **Model:** 350
Size: 3 **Orientation:** VU **Meters:**
Manual: 9 **0.25% Pb:** No **Spare Parts Only:** No
Approved: 03-Apr-2002 **Renewed:** 03-Apr-2014 **Bypass:**
Shutoffs: (gg),ee,ff,hh,ll,mm,tt,uu,yy,zz,ppp,qqq,zzz,dddd,ssss,tttt,vvvv,www,yyy,zzzz,kkkkk
Notes: Up to serial number J35214

Type: DC **Manufacturer:** Wilkins **Model:** 350
Size: 4 **Orientation:** H **Meters:**
Manual: 9 **0.25% Pb:** Yes **Spare Parts Only:** No
Approved: 09-Sep-2010 **Renewed:** 09-Sep-2013 **Bypass:**
Shutoffs: (gg),hh,ppp,qqq,vvv,www,ssss,tttt,vvvv,www,yyy,zzzz,kkkkk
Notes: Serial number J35214 and higher

Type: DC **Manufacturer:** Wilkins **Model:** 350
Size: 4 **Orientation:** H **Meters:**
Manual: 9 **0.25% Pb:** No **Spare Parts Only:** No
Approved: 15-Sep-1999 **Renewed:** 15-Sep-2014 **Bypass:**
Shutoffs: (gg),ee,ff,hh,ll,mm,tt,uu,yy,zz,ppp,qqq,vvv,www,zzz,dddd,eeee,ssss,tttt,vvvv,www,yyy,zzzz,kkkkk
Notes: Up to serial number J35214

Type: DC **Manufacturer:** Wilkins **Model:** 350
Size: 4 **Orientation:** VU **Meters:**
Manual: 9 **0.25% Pb:** Yes **Spare Parts Only:** No
Approved: 09-Sep-2010 **Renewed:** 09-Sep-2013 **Bypass:**
Shutoffs: (gg),hh,ppp,qqq,vvv,www,ssss,tttt,vvvv,www,yyy,zzzz,kkkkk
Notes: Serial number J35214 and higher

Type: DC **Manufacturer:** Wilkins **Model:** 350
Size: 4 **Orientation:** VU **Meters:**
Manual: 9 **0.25% Pb:** No **Spare Parts Only:** No
Approved: 07-Sep-2000 **Renewed:** 07-Sep-2015 **Bypass:**
Shutoffs: (gg),ee,ff,hh,ll,mm,tt,uu,yy,zz,ppp,qqq,vvv,www,zzz,dddd,eeee,ssss,tttt,vvvv,wwww,yyyy,zzzz,kkkkk
Notes: Up to serial number J35214

Type: DC **Manufacturer:** Wilkins **Model:** 350
Size: 6 **Orientation:** H **Meters:**
Manual: 9 **0.25% Pb:** Yes **Spare Parts Only:** No
Approved: 09-Sep-2010 **Renewed:** 09-Sep-2013 **Bypass:**
Shutoffs: (gg),hh,ppp,qqq,vvv,www,ssss,tttt,vvvv,wwww,yyyy,zzzz,kkkkk
Notes: Serial number J35214 and higher

Type: DC **Manufacturer:** Wilkins **Model:** 350
Size: 6 **Orientation:** H **Meters:**
Manual: 9 **0.25% Pb:** No **Spare Parts Only:** No
Approved: 18-Oct-1999 **Renewed:** 18-Oct-2014 **Bypass:**
Shutoffs: (gg),ee,ff,hh,ll,mm,tt,uu,yy,zz,ppp,qqq,vvv,www,zzz,dddd,eeee,ssss,tttt,vvvv,wwww,yyyy,zzzz,kkkkk
Notes: Up to serial number J35214

Type: DC **Manufacturer:** Wilkins **Model:** 350
Size: 6 **Orientation:** VU **Meters:**
Manual: 9 **0.25% Pb:** Yes **Spare Parts Only:** No
Approved: 09-Sep-2010 **Renewed:** 09-Sep-2013 **Bypass:**
Shutoffs: (gg),hh,ppp,qqq,vvv,www,ssss,tttt,vvvv,wwww,yyyy,zzzz,kkkkk
Notes: Serial number J35214 and higher

Type: DC **Manufacturer:** Wilkins **Model:** 350
Size: 6 **Orientation:** VU **Meters:**
Manual: 9 **0.25% Pb:** No **Spare Parts Only:** No
Approved: 17-Dec-1999 **Renewed:** 17-Dec-2014 **Bypass:**
Shutoffs: (gg),ee,ff,hh,ll,mm,tt,uu,yy,zz,ppp,qqq,vvv,www,zzz,dddd,eeee,ssss,tttt,vvvv,wwww,yyyy,zzzz,kkkkk
Notes: Up to serial number J35214

Type: DC **Manufacturer:** Wilkins **Model:** 350
Size: 8 **Orientation:** H **Meters:**
Manual: 9 **0.25% Pb:** Yes **Spare Parts Only:** No
Approved: 09-Sep-2010 **Renewed:** 09-Sep-2013 **Bypass:**
Shutoffs: (gg),hh,ppp,qqq,vvv,www,ssss,tttt,vvvv,wwww,yyyy,zzzz,kkkkk
Notes: Serial number J35214 and higher

Type: DC **Manufacturer:** Wilkins **Model:** 350
Size: 8 **Orientation:** H **Meters:**
Manual: 9 **0.25% Pb:** No **Spare Parts Only:** No
Approved: 08-Mar-2002 **Renewed:** 08-Mar-2014 **Bypass:**
Shutoffs: (gg),ee,ff,hh,ll,mm,tt,uu,yy,zz,ppp,qqq,vvv,www,zzz,dddd,eeee,ssss,tttt,vvvv,wwww,yyyy,zzzz,kkkkk
Notes: Up to serial number J35214

Type: DC **Manufacturer:** Wilkins **Model:** 350
Size: 8 **Orientation:** VU **Meters:**
Manual: 9 **0.25% Pb:** Yes **Spare Parts Only:** No
Approved: 09-Sep-2010 **Renewed:** 09-Sep-2013 **Bypass:**
Shutoffs: (gg),hh,ppp,qqq,vvv,www,ssss,tttt,vvvv,wwww,yyyy,zzzz,kkkkk
Notes: Serial number J35214 and higher

Type: DC **Manufacturer:** Wilkins **Model:** 350
Size: 8 **Orientation:** VU **Meters:**
Manual: 9 **0.25% Pb:** No **Spare Parts Only:** No
Approved: 16-Jan-2003 **Renewed:** 16-Jan-2015 **Bypass:**
Shutoffs: (gg),ee,ff,hh,ll,mm,tt,uu,yy,zz,ppp,qqq,vvv,www,zzz,dddd,eeee,ssss,tttt,vvvv,wwww,yyyy,zzzz,kkkkk
Notes: Up to serial number J35214

Type: DC **Manufacturer:** Wilkins **Model:** 350
Size: 10 **Orientation:** H **Meters:**
Manual: 9 **0.25% Pb:** Yes **Spare Parts Only:** No
Approved: 09-Sep-2010 **Renewed:** 09-Sep-2013 **Bypass:**
Shutoffs: (gg),hh,ppp,qqq,vvv,www,ssss,tttt,vvvv,wwww,yyyy,zzzz,kkkkk
Notes: Serial number J35214 and higher

Type: DC **Manufacturer:** Wilkins **Model:** 350
Size: 10 **Orientation:** H **Meters:**
Manual: 9 **0.25% Pb:** No **Spare Parts Only:** No
Approved: 28-Aug-2002 **Renewed:** 28-Aug-2014 **Bypass:**
Shutoffs: (gg),ee,ff,hh,ll,mm,tt,uu,yy,zz,ppp,qqq,vvv,www,zzz,dddd,eeee,ssss,tttt,vvvv,wwww,yyyy,zzzz,kkkkk
Notes: Up to serial number J35214

Type: DC **Manufacturer:** Wilkins **Model:** 350
Size: 10 **Orientation:** VU **Meters:**
Manual: 9 **0.25% Pb:** Yes **Spare Parts Only:** No
Approved: 09-Sep-2010 **Renewed:** 09-Sep-2013 **Bypass:**
Shutoffs: (gg),hh,ppp,qqq,vvv,www,ssss,tttt,vvvv,wwww,yyyy,zzzz,kkkkk
Notes: Serial number J35214 and higher

Type: DC **Manufacturer:** Wilkins **Model:** 350
Size: 10 **Orientation:** VU **Meters:**
Manual: 9 **0.25% Pb:** No **Spare Parts Only:** No
Approved: 14-Mar-2003 **Renewed:** 14-Mar-2015 **Bypass:**
Shutoffs: (gg),ee,ff,hh,ll,mm,tt,uu,yy,zz,ppp,qqq,vvv,www,zzz,dddd,eeee,ssss,ttt,vvvv,wwww,yyyy,zzzz,kkkkk
Notes: Up to serial number J35214

Type: DC **Manufacturer:** Wilkins **Model:** 350
Size: 12 **Orientation:** H **Meters:**
Manual: 9 **0.25% Pb:** Yes **Spare Parts Only:** No
Approved: 09-Sep-2010 **Renewed:** 09-Sep-2013 **Bypass:**
Shutoffs: (hh),ssss,ttt,vvvv,wwww,yyyy,zzzz,kkkkk
Notes: Serial number J35214 and higher

Type: DC **Manufacturer:** Wilkins **Model:** 350
Size: 12 **Orientation:** H **Meters:**
Manual: 9 **0.25% Pb:** No **Spare Parts Only:** No
Approved: 10-Feb-2009 **Renewed:** 10-Feb-2015 **Bypass:**
Shutoffs: (hh),ssss,ttt,vvvv,wwww,yyyy,zzzz,kkkkk
Notes: Up to serial number J35214

Type: DC **Manufacturer:** Wilkins **Model:** 350A
Size: 2 1/2 **Orientation:** H **Meters:**
Manual: 9 **0.25% Pb:** Yes **Spare Parts Only:** No
Approved: 09-Sep-2010 **Renewed:** 09-Sep-2013 **Bypass:**
Shutoffs: (ppp),qqq,sss,ttt,yyy,ssss,uuuu,vvvv,xxxx,yyyy,aaaaa,kkkkk
Notes: Serial number J35214 and higher

Type: DC **Manufacturer:** Wilkins **Model:** 350A
Size: 2 1/2 **Orientation:** H **Meters:**
Manual: 9 **0.25% Pb:** No **Spare Parts Only:** No
Approved: 22-Jun-2005 **Renewed:** 22-Jun-2014 **Bypass:**
Shutoffs: (ppp),sss,ttt,qqq,yyy,zzz,dddd,ssss,uuuu,vvvv,xxxx,yyyy,aaaaa,kkkkk,lllll
Notes: Up to serial number U26097

Type: DC **Manufacturer:** Wilkins **Model:** 350A
Size: 2 1/2 **Orientation:** VU **Meters:**
Manual: 9 **0.25% Pb:** Yes **Spare Parts Only:** No
Approved: 09-Sep-2010 **Renewed:** 09-Sep-2013 **Bypass:**
Shutoffs: (ppp),qqq,sss,ttt,yyy,ssss,uuuu,vvvv,xxxx,yyyy,aaaaa,kkkkk
Notes: Serial number U26097 and higher

Type: DC **Manufacturer:** Wilkins **Model:** 350A
Size: 2 1/2 **Orientation:** VU **Meters:**
Manual: 9 **0.25% Pb:** No **Spare Parts Only:** No
Approved: 22-Jun-2005 **Renewed:** 22-Jun-2014 **Bypass:**
Shutoffs: (ppp),sss,ttt,qqq,yyy,zzz,dddd,ssss,uuuu,vvvv,xxxx,yyyy,aaaaa,kkkkk,lllll
Notes: Up to serial number U26097

Type: DC **Manufacturer:** Wilkins **Model:** 350A
Size: 3 **Orientation:** H **Meters:**
Manual: 9 **0.25% Pb:** Yes **Spare Parts Only:** No
Approved: 09-Sep-2010 **Renewed:** 09-Sep-2013 **Bypass:**
Shutoffs: (ppp),qqq,sss,ttt,yyy,ssss,uuuu,vvvv,xxxx,yyyy,aaaaa,kkkkk,lllll
Notes: Serial number U26097 and higher

Type: DC **Manufacturer:** Wilkins **Model:** 350A
Size: 3 **Orientation:** H **Meters:**
Manual: 9 **0.25% Pb:** No **Spare Parts Only:** No
Approved: 22-Jun-2005 **Renewed:** 22-Jun-2014 **Bypass:**
Shutoffs: (ppp),sss,ttt,qqq,yyy,zzz,dddd,ssss,uuuu,vvvv,xxxx,yyyy,aaaaa,kkkkk,lllll
Notes: Up to serial number U26097

Type: DC **Manufacturer:** Wilkins **Model:** 350A
Size: 3 **Orientation:** VU **Meters:**
Manual: 9 **0.25% Pb:** Yes **Spare Parts Only:** No
Approved: 09-Sep-2010 **Renewed:** 09-Sep-2013 **Bypass:**
Shutoffs: (ppp),qqq,sss,ttt,yyy,ssss,uuuu,vvvv,xxxx,yyyy,aaaaa,kkkkk,lllll
Notes: Serial number U26097 and higher

Type: DC **Manufacturer:** Wilkins **Model:** 350A
Size: 3 **Orientation:** VU **Meters:**
Manual: 9 **0.25% Pb:** No **Spare Parts Only:** No
Approved: 22-Jun-2005 **Renewed:** 22-Jun-2014 **Bypass:**
Shutoffs: (ppp),sss,ttt,qqq,yyy,zzz,dddd,ssss,uuuu,vvvv,xxxx,yyyy,aaaaa,kkkkk,lllll
Notes: Up to serial number U26097

Type: DC **Manufacturer:** Wilkins **Model:** 350A
Size: 4 **Orientation:** H **Meters:**
Manual: 9 **0.25% Pb:** No **Spare Parts Only:** No
Approved: 16-Mar-2004 **Renewed:** 16-Mar-2013 **Bypass:**
Shutoffs: (ppp),qqq,sss,ttt,www,yyy,zzz,dddd,eeee,ssss,uuuu,vvvv,xxxx,yyyy,aaaaa,kkkkk,lllll
Notes: Up to serial number U26097

Type: DC **Manufacturer:** Wilkins **Model:** 350A
Size: 4 **Orientation:** H **Meters:**
Manual: 9 **0.25% Pb:** Yes **Spare Parts Only:** No
Approved: 09-Sep-2010 **Renewed:** 09-Sep-2013 **Bypass:**
Shutoffs: (ppp),qqq,sss,ttt,yyy,ssss,uuuu,vvvv,xxxx,yyyy,aaaaa,kkkkk,lllll
Notes: Serial number U26097 and higher

Type: DC **Manufacturer:** Wilkins **Model:** 350A
Size: 4 **Orientation:** VU **Meters:**
Manual: 9 **0.25% Pb:** No **Spare Parts Only:** No
Approved: 16-Mar-2004 **Renewed:** 16-Mar-2013 **Bypass:**
Shutoffs: (ppp),qqq,sss,ttt,www,yyy,zzz,dddd,eeee,ssss,uuuu,vvvv,xxxx,yyyy,aaaaa,kkkkk,lllll
Notes: Up to serial number U26097

Type: DC **Manufacturer:** Wilkins **Model:** 350A
Size: 4 **Orientation:** VU **Meters:**
Manual: 9 **0.25% Pb:** Yes **Spare Parts Only:** No
Approved: 09-Sep-2010 **Renewed:** 09-Sep-2013 **Bypass:**
Shutoffs: (ppp),qqq,sss,ttt,yyy,ssss,uuuu,vvvv,xxxx,yyyy,aaaaa,kkkkk,lllll
Notes: Serial number U26097 and higher

Type: DC **Manufacturer:** Wilkins **Model:** 350A
Size: 6 **Orientation:** H **Meters:**
Manual: 9 **0.25% Pb:** No **Spare Parts Only:** No
Approved: 25-Nov-2003 **Renewed:** 25-Nov-2012 **Bypass:**
Shutoffs: (ppp),qqq,sss,ttt,www,yyy,zzz,dddd,eeee,ssss,uuuu,vvvv,xxxx,yyyy,aaaaa,kkkkk,lllll
Notes: Up to serial number U26097

Type: DC **Manufacturer:** Wilkins **Model:** 350A
Size: 6 **Orientation:** H **Meters:**
Manual: 9 **0.25% Pb:** Yes **Spare Parts Only:** No
Approved: 09-Sep-2010 **Renewed:** 09-Sep-2013 **Bypass:**
Shutoffs: (ppp),qqq,sss,ttt,yyy,ssss,uuuu,vvvv,xxxx,yyyy,aaaaa,kkkkk,lllll
Notes: Serial number U26097 and higher

Type: DC **Manufacturer:** Wilkins **Model:** 350A
Size: 6 **Orientation:** VU **Meters:**
Manual: 9 **0.25% Pb:** No **Spare Parts Only:** No
Approved: 25-Nov-2003 **Renewed:** 25-Nov-2012 **Bypass:**
Shutoffs: (ppp),qqq,sss,ttt,www,yyy,zzz,dddd,eeee,ssss,uuuu,vvvv,xxxx,yyyy,aaaaa,kkkkk,lllll
Notes: Up to serial number U26097

Type: DC **Manufacturer:** Wilkins **Model:** 350A
Size: 6 **Orientation:** VU **Meters:**
Manual: 9 **0.25% Pb:** Yes **Spare Parts Only:** No
Approved: 09-Sep-2010 **Renewed:** 09-Sep-2013 **Bypass:**
Shutoffs: (ppp),qqq,sss,ttt,yyy,ssss,uuuu,vvvv,xxxx,yyyy,aaaaa,kkkkk,l1lll
Notes: Serial number U26097 and higher

Type: DC **Manufacturer:** Wilkins **Model:** 350A
Size: 8 **Orientation:** H **Meters:**
Manual: 9 **0.25% Pb:** No **Spare Parts Only:** No
Approved: 12-Feb-2004 **Renewed:** 12-Feb-2013 **Bypass:**
Shutoffs: (ppp),qqq,sss,ttt,www,yyy,zzz,dddd,eeee,ssss,uuuu,vvvv,xxxx,yyyy,aaaaa,kkkkk,l1lll
Notes: Up to serial number U26097

Type: DC **Manufacturer:** Wilkins **Model:** 350A
Size: 8 **Orientation:** H **Meters:**
Manual: 9 **0.25% Pb:** Yes **Spare Parts Only:** No
Approved: 09-Sep-2010 **Renewed:** 09-Sep-2013 **Bypass:**
Shutoffs: (ppp),qqq,sss,ttt,www,yyy,ssss,uuuu,vvvv,xxxx,yyyy,aaaaa,kkkkk,l1lll
Notes: Serial number U26097 and higher

Type: DC **Manufacturer:** Wilkins **Model:** 350A
Size: 8 **Orientation:** VU **Meters:**
Manual: 9 **0.25% Pb:** No **Spare Parts Only:** No
Approved: 12-Feb-2004 **Renewed:** 12-Feb-2013 **Bypass:**
Shutoffs: (ppp),qqq,sss,ttt,www,yyy,zzz,dddd,eeee,ssss,uuuu,vvvv,xxxx,yyyy,aaaaa,kkkkk,l1lll
Notes: Up to serial number U26097

Type: DC **Manufacturer:** Wilkins **Model:** 350A
Size: 8 **Orientation:** VU **Meters:**
Manual: 9 **0.25% Pb:** Yes **Spare Parts Only:** No
Approved: 09-Sep-2010 **Renewed:** 09-Sep-2013 **Bypass:**
Shutoffs: (ppp),qqq,sss,ttt,www,yyy,ssss,uuuu,vvvv,xxxx,yyyy,aaaaa,kkkkk,l1lll
Notes: Serial number U26097 and higher

Type: DC **Manufacturer:** Wilkins **Model:** 350A
Size: 10 **Orientation:** H **Meters:**
Manual: 9 **0.25% Pb:** Yes **Spare Parts Only:** No
Approved: 09-Sep-2010 **Renewed:** 09-Sep-2013 **Bypass:**
Shutoffs: (ppp),qqq,sss,ttt,yyy,ssss,uuuu,vvvv,xxxx,yyyy,aaaaa,kkkkk,l1lll
Notes: Serial number U26097 and higher

Type: DC **Manufacturer:** Wilkins **Model:** 350A
Size: 10 **Orientation:** H **Meters:**
Manual: 9 **0.25% Pb:** No **Spare Parts Only:** No
Approved: 06-Apr-2006 **Renewed:** 06-Apr-2015 **Bypass:**
Shutoffs: (ppp),qqq,sss,ttt,yyy,ssss,uuuu,vvvv,xxxx,yyyy,aaaaa,kkkkk,lllll
Notes: Up to serial number U26097

Type: DC **Manufacturer:** Wilkins **Model:** 350A
Size: 10 **Orientation:** VU **Meters:**
Manual: 9 **0.25% Pb:** Yes **Spare Parts Only:** No
Approved: 09-Sep-2010 **Renewed:** 09-Sep-2013 **Bypass:**
Shutoffs: (ppp),qqq,sss,ttt,yyy,ssss,uuuu,vvvv,xxxx,yyyy,aaaaa,kkkkk,lllll
Notes: Serial number U26097 and higher

Type: DC **Manufacturer:** Wilkins **Model:** 350A
Size: 10 **Orientation:** VU **Meters:**
Manual: 9 **0.25% Pb:** No **Spare Parts Only:** No
Approved: 06-Apr-2006 **Renewed:** 06-Apr-2015 **Bypass:**
Shutoffs: (ppp),qqq,sss,ttt,yyy,ssss,uuuu,vvvv,xxxx,yyyy,aaaaa,kkkkk,lllll
Notes: Up to serial number U26097

Type: DC **Manufacturer:** Wilkins **Model:** 350AR
Size: 2 1/2 **Orientation:** H **Meters:**
Manual: 9 **0.25% Pb:** No **Spare Parts Only:** No
Approved: 16-Jun-2010 **Renewed:** 16-Jun-2013 **Bypass:**
Shutoffs: (ppp),sss,ttt,qqq,yyy,zzz,dddd,ssss,uuuu,vvvv,xxxx,yyyy,aaaaa,kkkkk,lllll
Notes: Integral grooved spool between the #2 ck and #2 SOV - assembly length: min. 34 1/4" and max. 47 1/8" Up to serial number U26097

Type: DC **Manufacturer:** Wilkins **Model:** 350AR
Size: 2 1/2 **Orientation:** H **Meters:**
Manual: 9 **0.25% Pb:** Yes **Spare Parts Only:** No
Approved: 09-Sep-2010 **Renewed:** 09-Sep-2013 **Bypass:**
Shutoffs: (ppp),sss,ttt,qqq,yyy,zzz,dddd,ssss,uuuu,vvvv,xxxx,yyyy,aaaaa,kkkkk,lllll
Notes: Only Serial No. C00102 and higher approved. These have an Integral grooved spool between the #2 ck and #2 SOV with length: min. 34 1/4" and max. 47 1/8"

Type: DC **Manufacturer:** Wilkins **Model:** 350AR
Size: 2 1/2 **Orientation:** VU **Meters:**
Manual: 9 **0.25% Pb:** No **Spare Parts Only:** No
Approved: 16-Jun-2010 **Renewed:** 16-Jun-2013 **Bypass:**
Shutoffs: (ppp),sss,ttt,qqq,yyy,zzz,dddd,ssss,uuuu,vvvv,xxxx,yyyy,aaaaa,kkkkk,llll
Notes: Only Serial No. C00102 and higher approved. These have an Integral grooved spool between the #2 ck and #2 SOV with length: min. 34 1/4" and max. 47 1/8"

Type: DC **Manufacturer:** Wilkins **Model:** 350AR
Size: 2 1/2 **Orientation:** VU **Meters:**
Manual: 9 **0.25% Pb:** Yes **Spare Parts Only:** No
Approved: 09-Sep-2010 **Renewed:** 09-Sep-2013 **Bypass:**
Shutoffs: (ppp),sss,ttt,qqq,yyy,zzz,dddd,ssss,uuuu,vvvv,xxxx,yyyy,aaaaa,kkkkk,llll
Notes: Only Serial No. C00102 and higher approved. These have an Integral grooved spool between the #2 ck and #2 SOV with length: min. 34 1/4" and max. 47 1/8"

Type: DC **Manufacturer:** Wilkins **Model:** 350AR
Size: 3 **Orientation:** H **Meters:**
Manual: 9 **0.25% Pb:** No **Spare Parts Only:** No
Approved: 16-Jun-2010 **Renewed:** 16-Jun-2013 **Bypass:**
Shutoffs: (ppp),sss,ttt,qqq,yyy,zzz,dddd,ssss,uuuu,vvvv,xxxx,yyyy,aaaaa,kkkkk,llll
Notes: Only Serial No. C00102 and higher approved. These have an Integral grooved spool between the #2 ck and #2 SOV with length: min. 34 3/4" and max. 48 1/8"

Type: DC **Manufacturer:** Wilkins **Model:** 350AR
Size: 3 **Orientation:** H **Meters:**
Manual: 9 **0.25% Pb:** Yes **Spare Parts Only:** No
Approved: 09-Sep-2010 **Renewed:** 09-Sep-2013 **Bypass:**
Shutoffs: (ppp),sss,ttt,qqq,yyy,zzz,dddd,ssss,uuuu,vvvv,xxxx,yyyy,aaaaa,kkkkk,llll
Notes: Only Serial No. C00102 and higher approved. These have an Integral grooved spool between the #2 ck and #2 SOV with length: min. 34 3/4" and max. 48 1/8"

Type: DC **Manufacturer:** Wilkins **Model:** 350AR
Size: 3 **Orientation:** VU **Meters:**
Manual: 9 **0.25% Pb:** No **Spare Parts Only:** No
Approved: 16-Jun-2010 **Renewed:** 16-Jun-2013 **Bypass:**
Shutoffs: (ppp),sss,ttt,qqq,yyy,zzz,dddd,ssss,uuuu,vvvv,xxxx,yyyy,aaaaa,kkkkk,llll
Notes: Only Serial No. C00102 and higher approved. These have an Integral grooved spool between the #2 ck and #2 SOV with length: min. 35 3/4" and max. 62 1/4"

Type: DC **Manufacturer:** Wilkins **Model:** 350AR
Size: 3 **Orientation:** VU **Meters:**
Manual: 9 **0.25% Pb:** Yes **Spare Parts Only:** No
Approved: 09-Sep-2010 **Renewed:** 09-Sep-2013 **Bypass:**
Shutoffs: (ppp),sss,ttt,qqq,yyy,zzz,dddd,ssss,uuuu,vvvv,xxxx,yyyy,aaaaa,kkkkk,lllll
Notes: Only Serial No. C00102 and higher approved. These have an Integral grooved spool between the #2 ck and #2 SOV with length: min. 34 3/4" and max. 48 1/8"

Type: DC **Manufacturer:** Wilkins **Model:** 350AR
Size: 4 **Orientation:** H **Meters:**
Manual: 9 **0.25% Pb:** No **Spare Parts Only:** No
Approved: 25-Mar-2010 **Renewed:** 25-Mar-2013 **Bypass:**
Shutoffs: (ppp),qqq,sss,ttt,www,yyy,zzz,dddd,eeee,ssss,uuuu,vvvv,xxxx,yyyy,aaaaa,kkkkk,lllll
Notes: Only Serial No. C00102 and higher approved. These have an Integral grooved spool between the #2 ck and #2 SOV with length: min. 42 1/2" and max. 71 1/4"

Type: DC **Manufacturer:** Wilkins **Model:** 350AR
Size: 4 **Orientation:** H **Meters:**
Manual: 9 **0.25% Pb:** Yes **Spare Parts Only:** No
Approved: 09-Sep-2010 **Renewed:** 09-Sep-2013 **Bypass:**
Shutoffs: (ppp),qqq,sss,ttt,www,yyy,zzz,dddd,eeee,ssss,uuuu,vvvv,xxxx,yyyy,aaaaa,kkkkk,lllll
Notes: Only Serial No. C00102 and higher approved. These have an Integral grooved spool between the #2 ck and #2 SOV with length: min. 35 3/4" and max. 62 1/4"

Type: DC **Manufacturer:** Wilkins **Model:** 350AR
Size: 4 **Orientation:** VU **Meters:**
Manual: 9 **0.25% Pb:** No **Spare Parts Only:** No
Approved: 25-Mar-2010 **Renewed:** 25-Mar-2013 **Bypass:**
Shutoffs: (ppp),qqq,sss,ttt,www,yyy,zzz,dddd,eeee,ssss,uuuu,vvvv,xxxx,yyyy,aaaaa,kkkkk,lllll
Notes: Only Serial No. C00102 and higher approved. These have an Integral grooved spool between the #2 ck and #2 SOV with length: min. 57 7/8" and max. 86"

Type: DC **Manufacturer:** Wilkins **Model:** 350AR
Size: 4 **Orientation:** VU **Meters:**
Manual: 9 **0.25% Pb:** Yes **Spare Parts Only:** No
Approved: 09-Sep-2010 **Renewed:** 09-Sep-2013 **Bypass:**
Shutoffs: (ppp),qqq,sss,ttt,www,yyy,zzz,dddd,eeee,ssss,uuuu,vvvv,xxxx,yyyy,aaaaa,kkkkk,lllll
Notes: Only Serial No. C00102 and higher approved. These have an Integral grooved spool between the #2 ck and #2 SOV with length: min. 35 3/4" and max. 62 1/4"

Type: DC **Manufacturer:** Wilkins **Model:** 350AR
Size: 6 **Orientation:** H **Meters:**
Manual: 9 **0.25% Pb:** No **Spare Parts Only:** No
Approved: 25-Mar-2010 **Renewed:** 25-Mar-2013 **Bypass:**
Shutoffs: (ppp),qqq,sss,ttt,www,yyy,zzz,dddd,eeee,ssss,uuuu,vvvv,xxxx,yyyy,aaaaa,kkkkk,lllll
Notes: Only Serial No. C00102 and higher approved. These have an Integral grooved spool between the #2 ck and #2 SOV with length: min. 61 3/8" and max. 100 5/8"

Type: DC **Manufacturer:** Wilkins **Model:** 350AR
Size: 6 **Orientation:** H **Meters:**
Manual: 9 **0.25% Pb:** Yes **Spare Parts Only:** No
Approved: 09-Sep-2010 **Renewed:** 09-Sep-2013 **Bypass:**
Shutoffs: (ppp),qqq,sss,ttt,www,yyy,zzz,dddd,eeee,ssss,uuuu,vvvv,xxxx,yyyy,aaaaa,kkkkk,lllll
Notes: Only Serial No. C00102 and higher approved. These have an Integral grooved spool between the #2 ck and #2 SOV with length: min. 42 1/2" and max. 71 1/4"

Type: DC **Manufacturer:** Wilkins **Model:** 350AR
Size: 6 **Orientation:** VU **Meters:**
Manual: 9 **0.25% Pb:** No **Spare Parts Only:** No
Approved: 25-Mar-2010 **Renewed:** 25-Mar-2013 **Bypass:**
Shutoffs: (ppp),qqq,sss,ttt,www,yyy,zzz,dddd,eeee,ssss,uuuu,vvvv,xxxx,yyyy,aaaaa,kkkkk,lllll
Notes: Only Serial No. C00102 and higher approved. These have an Integral grooved spool between the #2 ck and #2 SOV with length: min. 34 1/4" and max. 47 1/8"

Type: DC **Manufacturer:** Wilkins **Model:** 350AR
Size: 6 **Orientation:** VU **Meters:**
Manual: 9 **0.25% Pb:** Yes **Spare Parts Only:** No
Approved: 09-Sep-2010 **Renewed:** 09-Sep-2013 **Bypass:**
Shutoffs: (ppp),qqq,sss,ttt,www,yyy,zzz,dddd,eeee,ssss,uuuu,vvvv,xxxx,yyyy,aaaaa,kkkkk,lllll
Notes: Only Serial No. C00102 and higher approved. These have an Integral grooved spool between the #2 ck and #2 SOV with length: min. 42 1/2" and max. 71 1/4"

Type: DC **Manufacturer:** Wilkins **Model:** 350AR
Size: 8 **Orientation:** H **Meters:**
Manual: 9 **0.25% Pb:** No **Spare Parts Only:** No
Approved: 25-Mar-2010 **Renewed:** 25-Mar-2013 **Bypass:**
Shutoffs: (ppp),qqq,sss,ttt,www,yyy,zzz,dddd,eeee,ssss,uuuu,vvvv,xxxx,yyyy,aaaaa,kkkkk,lllll
Notes: Only Serial No. C00102 and higher approved. These have an Integral grooved spool between the #2 ck and #2 SOV with length: min. 34 1/4" and max. 47 1/8"

Type: DC	Manufacturer: Wilkins	Model: 350AR
Size: 8	Orientation: H	Meters:
Manual: 9	0.25% Pb: Yes	Spare Parts Only: No
Approved: 09-Sep-2010	Renewed: 09-Sep-2013	Bypass:
Shutoffs: (ppp),qqq,sss,ttt,www,yyy,zzz,dddd,eeee,ssss,uuuu,vvvv,xxxx,yyyy,aaaaa,kkkkk,lllll		
Notes: Only Serial No. C00102 and higher approved. These have an Integral grooved spool between the #2 ck and #2 SOV with length: min. 57 7/8" and max. 86"		

Type: DC	Manufacturer: Wilkins	Model: 350AR
Size: 8	Orientation: VU	Meters:
Manual: 9	0.25% Pb: No	Spare Parts Only: No
Approved: 25-Mar-2010	Renewed: 25-Mar-2013	Bypass:
Shutoffs: (ppp),qqq,sss,ttt,www,yyy,zzz,dddd,eeee,ssss,uuuu,vvvv,xxxx,yyyy,aaaaa,kkkkk,lllll		
Notes: Only Serial No. C00102 and higher approved. These have an Integral grooved spool between the #2 ck and #2 SOV with length: min. 34 1/4" and max. 47 1/8"		

Type: DC	Manufacturer: Wilkins	Model: 350AR
Size: 8	Orientation: VU	Meters:
Manual: 9	0.25% Pb: Yes	Spare Parts Only: No
Approved: 09-Sep-2010	Renewed: 09-Sep-2013	Bypass:
Shutoffs: (ppp),qqq,sss,ttt,www,yyy,zzz,dddd,eeee,ssss,uuuu,vvvv,xxxx,yyyy,aaaaa,kkkkk,lllll		
Notes: Only Serial No. C00102 and higher approved. These have an Integral grooved spool between the #2 ck and #2 SOV with length: min. 57 7/8" and max. 86"		

Type: DC	Manufacturer: Wilkins	Model: 350AR
Size: 10	Orientation: H	Meters:
Manual: 9	0.25% Pb: No	Spare Parts Only: No
Approved: 25-Mar-2010	Renewed: 25-Mar-2013	Bypass:
Shutoffs: (ppp),qqq,sss,ttt,www,yyy,zzz,dddd,eeee,ssss,uuuu,vvvv,xxxx,yyyy,aaaaa,kkkkk,lllll		
Notes: Only Serial No. C00102 and higher approved. These have an Integral grooved spool between the #2 ck and #2 SOV with length: min. 34 1/4" and max. 47 1/8"		

Type: DC	Manufacturer: Wilkins	Model: 350AR
Size: 10	Orientation: H	Meters:
Manual: 9	0.25% Pb: Yes	Spare Parts Only: No
Approved: 09-Sep-2010	Renewed: 09-Sep-2013	Bypass:
Shutoffs: (ppp),qqq,sss,ttt,www,yyy,zzz,dddd,eeee,ssss,uuuu,vvvv,xxxx,yyyy,aaaaa,kkkkk,lllll		
Notes: Only Serial No. C00102 and higher approved. These have an Integral grooved spool between the #2 ck and #2 SOV with length: min. 61 3/8" and max. 100 5/8"		

Type: DC **Manufacturer:** Wilkins **Model:** 350AR
Size: 10 **Orientation:** VU **Meters:**
Manual: 9 **0.25% Pb:** No **Spare Parts Only:** No
Approved: 25-Mar-2010 **Renewed:** 25-Mar-2013 **Bypass:**
Shutoffs: (ppp),qqq,sss,ttt,www,yyy,zzz,dddd,eeee,ssss,uuuu,vvvv,xxxx,yyyy,aaaaa,kkkkk,lllll
Notes: Only Serial No. C00102 and higher approved. These have an Integral grooved spool between the #2 ck and #2 SOV with length: min. 34 1/4" and max. 47 1/8"

Type: DC **Manufacturer:** Wilkins **Model:** 350AR
Size: 10 **Orientation:** VU **Meters:**
Manual: 9 **0.25% Pb:** Yes **Spare Parts Only:** No
Approved: 09-Sep-2010 **Renewed:** 09-Sep-2013 **Bypass:**
Shutoffs: (ppp),qqq,sss,ttt,www,yyy,zzz,dddd,eeee,ssss,uuuu,vvvv,xxxx,yyyy,aaaaa,kkkkk,lllll
Notes: Only Serial No. C00102 and higher approved. These have an Integral grooved spool between the #2 ck and #2 SOV with length: min. 61 3/8" and max. 100 5/8"

Type: DC **Manufacturer:** Wilkins **Model:** 350ARXL
Size: 2 1/2 **Orientation:** H **Meters:**
Manual: 9 **0.25% Pb:** Yes **Spare Parts Only:** No
Approved: 05-Jun-2010 **Renewed:** 05-Jun-2013 **Bypass:**
Shutoffs: (gg),hh,ppp,qqq,ssss,tttt,vvvv,www,yyy,zzzz
Notes: Only Serial No. C00102 and higher approved. These have an Integral grooved spool between the #2 ck and #2 SOV with length: min. 34 1/4" and max. 47 1/8"

Type: DC **Manufacturer:** Wilkins **Model:** 350ARXL
Size: 2 1/2 **Orientation:** VU **Meters:**
Manual: 9 **0.25% Pb:** Yes **Spare Parts Only:** No
Approved: 05-Jun-2010 **Renewed:** 05-Jun-2013 **Bypass:**
Shutoffs: (gg),hh,ppp,qqq,ssss,tttt,vvvv,www,yyy,zzzz
Notes: Only Serial No. C00102 and higher approved. These have an Integral grooved spool between the #2 ck and #2 SOV with length: min. 34 3/4" and max. 48 1/8"

Type: DC **Manufacturer:** Wilkins **Model:** 350ARXL
Size: 3 **Orientation:** H **Meters:**
Manual: 9 **0.25% Pb:** Yes **Spare Parts Only:** No
Approved: 05-Jun-2010 **Renewed:** 05-Jun-2013 **Bypass:**
Shutoffs: (gg),hh,ppp,qqq,ssss,tttt,vvvv,www,yyy,zzzz
Notes: Only Serial No. C00102 and higher approved. These have an Integral grooved spool between the #2 ck and #2 SOV with length: min. 34 3/4" and max. 48 1/8"

Type: DC **Manufacturer:** Wilkins **Model:** 350ARXL
Size: 3 **Orientation:** VU **Meters:**
Manual: 9 **0.25% Pb:** Yes **Spare Parts Only:** No
Approved: 05-Jun-2010 **Renewed:** 05-Jun-2013 **Bypass:**
Shutoffs: (gg),hh,ppp,qqq,vvv,www,ssss,tttt,vvvv,wwww,yyyy,zzzz
Notes: Only Serial No. C00102 and higher approved. These have an Integral grooved spool between the #2 ck and #2 SOV with length: min. 35 3/4" and max. 62 1/4"

Type: DC **Manufacturer:** Wilkins **Model:** 350ARXL
Size: 4 **Orientation:** H **Meters:**
Manual: 9 **0.25% Pb:** Yes **Spare Parts Only:** No
Approved: 05-Jun-2010 **Renewed:** 05-Jun-2013 **Bypass:**
Shutoffs: (gg),hh,ppp,qqq,vvv,www,ssss,tttt,vvvv,wwww,yyyy,zzzz
Notes: Only Serial No. C00102 and higher approved. These have an Integral grooved spool between the #2 ck and #2 SOV with length: min. 35 3/4" and max. 62 1/4"

Type: DC **Manufacturer:** Wilkins **Model:** 350ARXL
Size: 4 **Orientation:** VU **Meters:**
Manual: 9 **0.25% Pb:** Yes **Spare Parts Only:** No
Approved: 05-Jun-2010 **Renewed:** 05-Jun-2013 **Bypass:**
Shutoffs: (gg),hh,ppp,qqq,vvv,www,ssss,tttt,vvvv,wwww,yyyy,zzzz
Notes: Only Serial No. C00102 and higher approved. These have an Integral grooved spool between the #2 ck and #2 SOV with length: min. 42 1/2" and max. 71 1/4"

Type: DC **Manufacturer:** Wilkins **Model:** 350ARXL
Size: 6 **Orientation:** H **Meters:**
Manual: 9 **0.25% Pb:** Yes **Spare Parts Only:** No
Approved: 05-Jun-2010 **Renewed:** 05-Jun-2013 **Bypass:**
Shutoffs: (gg),hh,ppp,qqq,vvv,www,ssss,tttt,vvvv,wwww,yyyy,zzzz
Notes: Only Serial No. C00102 and higher approved. These have an Integral grooved spool between the #2 ck and #2 SOV with length: min. 42 1/2" and max. 71 1/4"

Type: DC **Manufacturer:** Wilkins **Model:** 350ARXL
Size: 6 **Orientation:** VU **Meters:**
Manual: 9 **0.25% Pb:** Yes **Spare Parts Only:** No
Approved: 05-Jun-2010 **Renewed:** 05-Jun-2013 **Bypass:**
Shutoffs: (gg),hh,ppp,qqq,vvv,www,ssss,tttt,vvvv,wwww,yyyy,zzzz
Notes: Only Serial No. C00102 and higher approved. These have an Integral grooved spool between the #2 ck and #2 SOV with length: min. 57 7/8" and max. 86"

Type: DC **Manufacturer:** Wilkins **Model:** 350ARXL
Size: 8 **Orientation:** H **Meters:**
Manual: 9 **0.25% Pb:** Yes **Spare Parts Only:** No
Approved: 05-Jun-2010 **Renewed:** 05-Jun-2013 **Bypass:**
Shutoffs: (gg),hh,ppp,qqq,vvv,www,ssss,tttt,vvvv,wwww,yyyy,zzzz
Notes: Only Serial No. C00102 and higher approved. These have an Integral grooved spool between the #2 ck and #2 SOV with length: min. 57 7/8" and max. 86"

Type: DC **Manufacturer:** Wilkins **Model:** 350ARXL
Size: 8 **Orientation:** VU **Meters:**
Manual: 9 **0.25% Pb:** Yes **Spare Parts Only:** No
Approved: 05-Jun-2010 **Renewed:** 05-Jun-2013 **Bypass:**
Shutoffs: (gg),hh,ppp,qqq,vvv,www,ssss,tttt,vvvv,wwww,yyyy,zzzz
Notes: Only Serial No. C00102 and higher approved. These have an Integral grooved spool between the #2 ck and #2 SOV with length: min. 61 3/8" and max. 100 5/8"

Type: DC **Manufacturer:** Wilkins **Model:** 350ARXL
Size: 10 **Orientation:** H **Meters:**
Manual: 9 **0.25% Pb:** Yes **Spare Parts Only:** No
Approved: 05-Jun-2010 **Renewed:** 05-Jun-2013 **Bypass:**
Shutoffs: (gg),hh,ppp,qqq,vvv,www,ssss,tttt,vvvv,wwww,yyyy,zzzz
Notes: Only Serial No. C00102 and higher approved. These have an Integral grooved spool between the #2 ck and #2 SOV with length: min. 61 3/8" and max. 100 5/8"

Type: DC **Manufacturer:** Wilkins **Model:** 350ARXL
Size: 10 **Orientation:** VU **Meters:**
Manual: 9 **0.25% Pb:** Yes **Spare Parts Only:** No
Approved: 05-Jun-2010 **Renewed:** 05-Jun-2013 **Bypass:**
Shutoffs: (hh),ssss,tttt,xxxx,yyyy,zzzz,aaaaa
Notes: Integral grooved spool between the #2 ck and #2 SOV - assembly length: min. 61 3/8" and max. 100 5/8"

Type: DC **Manufacturer:** Wilkins **Model:** 350AST
Size: 2 1/2 **Orientation:** H **Meters:**
Manual: 10 **0.25% Pb:** Yes **Spare Parts Only:** No
Approved: 29-Nov-2011 **Renewed:** 29-Oct-2014 **Bypass:**
Shutoffs: (ppp),qqq,yyy,ssss,uuuu,vvvv,xxxx,yyyy,aaaaa,kkkkk,lllll

Type: DC **Manufacturer:** Wilkins **Model:** 350AST
Size: 2 1/2 **Orientation:** VU **Meters:**
Manual: 10 **0.25% Pb:** Yes **Spare Parts Only:** No
Approved: 09-Nov-2012 **Renewed:** **Bypass:**
Shutoffs: (ppp),qqq,yyy,ssss,uuuu,vvvv,xxxx,yyyy,aaaaa,kkkkk,lllll

Type: DC **Manufacturer:** Wilkins **Model:** 350AST
Size: 3 **Orientation:** H **Meters:**
Manual: 10 **0.25% Pb:** Yes **Spare Parts Only:** No
Approved: 29-Nov-2011 **Renewed:** 29-Oct-2014 **Bypass:**
Shutoffs: (ppp),qqq,yyy,ssss,uuuu,vvvv,xxxx,yyyy,aaaaa,kkkkk,lllll

Type: DC **Manufacturer:** Wilkins **Model:** 350AST
Size: 3 **Orientation:** VU **Meters:**
Manual: 10 **0.25% Pb:** Yes **Spare Parts Only:** No
Approved: 09-Nov-2012 **Renewed:** **Bypass:**
Shutoffs: (ppp),qqq,yyy,ssss,uuuu,vvvv,xxxx,yyyy,aaaaa,kkkkk,lllll

Type: DC **Manufacturer:** Wilkins **Model:** 350AST
Size: 4 **Orientation:** H **Meters:**
Manual: 10 **0.25% Pb:** Yes **Spare Parts Only:** No
Approved: 29-Nov-2011 **Renewed:** 29-Oct-2014 **Bypass:**
Shutoffs: (ppp),qqq,yyy,ssss,uuuu,vvvv,xxxx,yyyy,aaaaa,kkkkk,lllll

Type: DC **Manufacturer:** Wilkins **Model:** 350AST
Size: 4 **Orientation:** VU **Meters:**
Manual: 10 **0.25% Pb:** Yes **Spare Parts Only:** No
Approved: 09-Nov-2012 **Renewed:** **Bypass:**
Shutoffs: (ppp),qqq,yyy,ssss,uuuu,vvvv,xxxx,yyyy,aaaaa,kkkkk,lllll

Type: DC **Manufacturer:** Wilkins **Model:** 350AST
Size: 6 **Orientation:** H **Meters:**
Manual: 10 **0.25% Pb:** Yes **Spare Parts Only:** No
Approved: 27-Mar-2012 **Renewed:** 27-Mar-2015 **Bypass:**
Shutoffs: (yyy),ssss,uuuu,vvvv,xxxx,yyyy,aaaaa,kkkkk,lllll

Type: DC **Manufacturer:** Wilkins **Model:** 350AST
Size: 6 **Orientation:** VU **Meters:**
Manual: 10 **0.25% Pb:** Yes **Spare Parts Only:** No
Approved: 24-Oct-2012 **Renewed:** **Bypass:**
Shutoffs: (yyy), ssss, uuuu,vvvv, xxxx, yyyy, aaaaa,kkkkk, lllll

Type: DC **Manufacturer:** Wilkins **Model:** 350AST
Size: 8 **Orientation:** H **Meters:**
Manual: 10 **0.25% Pb:** Yes **Spare Parts Only:** No
Approved: 20-Feb-2014 **Renewed:** **Bypass:**
Shutoffs: (yyy), ssss,uuuu,vvvv,xxxx,yyyy,aaaaa,kkkkk,lllll

Type: DC **Manufacturer:** Wilkins **Model:** 350AST
Size: 8 **Orientation:** VU **Meters:**
Manual: 10 **0.25% Pb:** Yes **Spare Parts Only:** No
Approved: 20-Feb-2014 **Renewed:** **Bypass:**
Shutoffs: (yyy), ssss,uuuu,vvvv,xxxx,yyyy,aaaaa,kkkkk,lllll

Type: DC **Manufacturer:** Wilkins **Model:** 350AST
Size: 10 **Orientation:** H **Meters:**
Manual: 10 **0.25% Pb:** Yes **Spare Parts Only:** No
Approved: 20-Feb-2014 **Renewed:** **Bypass:**
Shutoffs: (yyy), ssss,uuuu,vvvv,xxxx,yyyy,aaaaa,kkkkk,lllll

Type: DC **Manufacturer:** Wilkins **Model:** 350AST
Size: 10 **Orientation:** VU **Meters:**
Manual: 10 **0.25% Pb:** Yes **Spare Parts Only:** No
Approved: 20-Feb-2014 **Renewed:** **Bypass:**
Shutoffs: (yyy), ssss,uuuu,vvvv,xxxx,yyyy,aaaaa,kkkkk,lllll

Type: DC **Manufacturer:** Wilkins **Model:** 350ASTR
Size: 2 1/2 **Orientation:** H **Meters:**
Manual: 10 **0.25% Pb:** Yes **Spare Parts Only:** No
Approved: 12-Jun-2015 **Renewed:** **Bypass:**
Shutoffs: (ppp),qqq,yyy,ssss,uuuu,vvvv,xxxx,yyyy,aaaaa,kkkkk,lllll
Notes: Integral Stainless Steel grooved spool between the #2 ck and #2 SOV - assembly length: min. 34 1/4" and max. 47 1/8"

Type: DC **Manufacturer:** Wilkins **Model:** 350ASTR
Size: 2 1/2 **Orientation:** VU **Meters:**
Manual: 10 **0.25% Pb:** Yes **Spare Parts Only:** No
Approved: 12-Jun-2015 **Renewed:** **Bypass:**
Shutoffs: (ppp),qqq,yyy,ssss,uuuu,vvvv,xxxx,yyyy,aaaaa,kkkkk,lllll
Notes: Integral Stainless Steel grooved spool between the #2 ck and #2 SOV - assembly length: min. 34 1/4" and max. 47 1/8"

Type: DC **Manufacturer:** Wilkins **Model:** 350ASTR
Size: 3 **Orientation:** H **Meters:**
Manual: 10 **0.25% Pb:** Yes **Spare Parts Only:** No
Approved: 12-Jun-2015 **Renewed:** **Bypass:**
Shutoffs: (ppp),qqq,yyy,ssss,uuuu,vvvv,xxxx,yyyy,aaaaa,kkkkk,lllll
Notes: Integral Stainless Steel grooved spool between the #2 ck and #2 SOV - assembly length: min. 34 3/4" and max. 48 1/8"

Type: DC **Manufacturer:** Wilkins **Model:** 350ASTR
Size: 3 **Orientation:** VU **Meters:**
Manual: 10 **0.25% Pb:** Yes **Spare Parts Only:** No
Approved: 12-Jun-2015 **Renewed:** **Bypass:**
Shutoffs: (ppp),qqq,yyy,ssss,uuuu,vvvv,xxxx,yyyy,aaaaa,kkkkk,llll
Notes: Integral Stainless Steel grooved spool between the #2 ck and #2 SOV - assembly length: min. 34 3/4" and max. 48 1/8"

Type: DC **Manufacturer:** Wilkins **Model:** 350ASTR
Size: 4 **Orientation:** H **Meters:**
Manual: 10 **0.25% Pb:** Yes **Spare Parts Only:** No
Approved: 12-Jun-2015 **Renewed:** **Bypass:**
Shutoffs: (ppp),qqq,yyy,ssss,uuuu,vvvv,xxxx,yyyy,aaaaa,kkkkk,llll
Notes: Integral Stainless Steel grooved spool between the #2 ck and #2 SOV - assembly length: min. 35 3/4" and max. 62 1/4"

Type: DC **Manufacturer:** Wilkins **Model:** 350ASTR
Size: 4 **Orientation:** VU **Meters:**
Manual: 10 **0.25% Pb:** Yes **Spare Parts Only:** No
Approved: 12-Jun-2015 **Renewed:** **Bypass:**
Shutoffs: (ppp),qqq,yyy,ssss,uuuu,vvvv,xxxx,yyyy,aaaaa,kkkkk,llll
Notes: Integral Stainless Steel grooved spool between the #2 ck and #2 SOV - assembly length: min. 35 3/4" and max. 62 1/4"

Type: DC **Manufacturer:** Wilkins **Model:** 350ASTR
Size: 6 **Orientation:** H **Meters:**
Manual: 10 **0.25% Pb:** Yes **Spare Parts Only:** No
Approved: 12-Jun-2015 **Renewed:** **Bypass:**
Shutoffs: (yyy), ssss, uuuu,vvvv, xxxx, yyyy, aaaaa,kkkkk, llll
Notes: Integral Stainless Steel grooved spool between the #2 ck and #2 SOV - assembly length: min. 42 1/2" and max. 71 1/4"

Type: DC **Manufacturer:** Wilkins **Model:** 350ASTR
Size: 6 **Orientation:** VU **Meters:**
Manual: 10 **0.25% Pb:** Yes **Spare Parts Only:** No
Approved: 12-Jun-2015 **Renewed:** **Bypass:**
Shutoffs: (yyy), ssss, uuuu,vvvv, xxxx, yyyy, aaaaa,kkkkk, llll
Notes: Integral Stainless Steel grooved spool between the #2 ck and #2 SOV - assembly length: min. 42 1/2" and max. 71 1/4"

Type: DC **Manufacturer:** Wilkins **Model:** 350ASTR
Size: 8 **Orientation:** H **Meters:**
Manual: 10 **0.25% Pb:** Yes **Spare Parts Only:** No
Approved: 25-Feb-2014 **Renewed:** **Bypass:**
Shutoffs: (yyy), ssss,uuuu,vvvv,xxxx,yyyy,aaaaa,kkkkk,lllll
Notes: Integral Stainless Steel grooved spool between the #2 ck and #2 SOV - assembly length: min. 48 3/4" and max. 86"

Type: DC **Manufacturer:** Wilkins **Model:** 350ASTR
Size: 8 **Orientation:** VU **Meters:**
Manual: 10 **0.25% Pb:** Yes **Spare Parts Only:** No
Approved: 25-Feb-2014 **Renewed:** **Bypass:**
Shutoffs: (yyy), ssss,uuuu,vvvv,xxxx,yyyy,aaaaa,kkkkk,lllll
Notes: Integral Stainless Steel grooved spool between the #2 ck and #2 SOV - assembly length: min. 48 3/4" and max. 86"

Type: DC **Manufacturer:** Wilkins **Model:** 350ASTR
Size: 10 **Orientation:** H **Meters:**
Manual: 10 **0.25% Pb:** Yes **Spare Parts Only:** No
Approved: 25-Feb-2014 **Renewed:** **Bypass:**
Shutoffs: (yyy), ssss,uuuu,vvvv,xxxx,yyyy,aaaaa,kkkkk,lllll
Notes: Integral Stainless Steel grooved spool between the #2 ck and #2 SOV - assembly length: min. 52 5/8" and max. 100 5/8"

Type: DC **Manufacturer:** Wilkins **Model:** 350ASTR
Size: 10 **Orientation:** VU **Meters:**
Manual: 10 **0.25% Pb:** Yes **Spare Parts Only:** No
Approved: 25-Feb-2014 **Renewed:** **Bypass:**
Shutoffs: (yyy), ssss,uuuu,vvvv,xxxx,yyyy,aaaaa,kkkkk,lllll
Notes: Integral Stainless Steel grooved spool between the #2 ck and #2 SOV - assembly length: min. 52 5/8" and max. 100 5/8"

Type: DC **Manufacturer:** Wilkins **Model:** 350AXL
Size: 2 1/2 **Orientation:** H **Meters:**
Manual: 9 **0.25% Pb:** No **Spare Parts Only:** No
Approved: 14-Apr-2010 **Renewed:** 14-Apr-2013 **Bypass:**
Shutoffs: (ppp),qqq,sss,ttt,yyy,ssss,uuuu,vvvv,xxxx,yyyy,aaaaa

Type: DC	Manufacturer: Wilkins	Model: 350AXL
Size: 2 1/2	Orientation: H	Meters:
Manual: 9	0.25% Pb: Yes	Spare Parts Only: No
Approved: 14-Apr-2010	Renewed: 14-Apr-2013	Bypass:
Shutoffs: (ppp),qqq,sss,ttt,yyy,ssss,uuuu,vvvv,xxxx,yyyy,aaaaa		

Type: DC	Manufacturer: Wilkins	Model: 350AXL
Size: 2 1/2	Orientation: VU	Meters:
Manual: 9	0.25% Pb: No	Spare Parts Only: No
Approved: 14-Apr-2010	Renewed: 14-Apr-2013	Bypass:
Shutoffs: (ppp),qqq,sss,ttt,yyy,ssss,uuuu,vvvv,xxxx,yyyy,aaaaa		

Type: DC	Manufacturer: Wilkins	Model: 350AXL
Size: 2 1/2	Orientation: VU	Meters:
Manual: 9	0.25% Pb: Yes	Spare Parts Only: No
Approved: 14-Apr-2010	Renewed: 14-Apr-2013	Bypass:
Shutoffs: (ppp),qqq,sss,ttt,yyy,ssss,uuuu,vvvv,xxxx,yyyy,aaaaa		

Type: DC	Manufacturer: Wilkins	Model: 350AXL
Size: 3	Orientation: H	Meters:
Manual: 9	0.25% Pb: No	Spare Parts Only: No
Approved: 14-Apr-2010	Renewed: 14-Apr-2013	Bypass:
Shutoffs: (ppp),qqq,sss,ttt,yyy,ssss,uuuu,vvvv,xxxx,yyyy,aaaaa		

Type: DC	Manufacturer: Wilkins	Model: 350AXL
Size: 3	Orientation: H	Meters:
Manual: 9	0.25% Pb: Yes	Spare Parts Only: No
Approved: 14-Apr-2010	Renewed: 14-Apr-2013	Bypass:
Shutoffs: (ppp),qqq,sss,ttt,yyy,ssss,uuuu,vvvv,xxxx,yyyy,aaaaa		

Type: DC	Manufacturer: Wilkins	Model: 350AXL
Size: 3	Orientation: VU	Meters:
Manual: 9	0.25% Pb: No	Spare Parts Only: No
Approved: 14-Apr-2010	Renewed: 14-Apr-2013	Bypass:
Shutoffs: (ppp),qqq,sss,ttt,yyy,ssss,uuuu,vvvv,xxxx,yyyy,aaaaa		

Type: DC	Manufacturer: Wilkins	Model: 350AXL
Size: 3	Orientation: VU	Meters:
Manual: 9	0.25% Pb: Yes	Spare Parts Only: No
Approved: 14-Apr-2010	Renewed: 14-Apr-2013	Bypass:
Shutoffs: (ppp),qqq,sss,ttt,yyy,ssss,uuuu,vvvv,xxxx,yyyy,aaaaa		

Type: DC **Manufacturer:** Wilkins **Model:** 350AXL
Size: 4 **Orientation:** H **Meters:**
Manual: 9 **0.25% Pb:** No **Spare Parts Only:** No
Approved: 14-Apr-2010 **Renewed:** 14-Apr-2013 **Bypass:**
Shutoffs: (ppp),qqq,sss,ttt,www,yyy,ssss,uuuu,vvvv,xxxx,yyyy,aaaaa

Type: DC **Manufacturer:** Wilkins **Model:** 350AXL
Size: 4 **Orientation:** H **Meters:**
Manual: 9 **0.25% Pb:** Yes **Spare Parts Only:** No
Approved: 14-Apr-2010 **Renewed:** 14-Apr-2013 **Bypass:**
Shutoffs: (ppp),qqq,sss,ttt,www,yyy,ssss,uuuu,vvvv,xxxx,yyyy,aaaaa

Type: DC **Manufacturer:** Wilkins **Model:** 350AXL
Size: 4 **Orientation:** VU **Meters:**
Manual: 9 **0.25% Pb:** No **Spare Parts Only:** No
Approved: 14-Apr-2010 **Renewed:** 14-Apr-2013 **Bypass:**
Shutoffs: (ppp),qqq,sss,ttt,yyy,ssss,uuuu,vvvv,xxxx,yyyy,aaaaa

Type: DC **Manufacturer:** Wilkins **Model:** 350AXL
Size: 4 **Orientation:** VU **Meters:**
Manual: 9 **0.25% Pb:** Yes **Spare Parts Only:** No
Approved: 14-Apr-2010 **Renewed:** 14-Apr-2013 **Bypass:**
Shutoffs: (ppp),qqq,sss,ttt,yyy,ssss,uuuu,vvvv,xxxx,yyyy,aaaaa

Type: DC **Manufacturer:** Wilkins **Model:** 350AXL
Size: 6 **Orientation:** H **Meters:**
Manual: 9 **0.25% Pb:** No **Spare Parts Only:** No
Approved: 14-Apr-2010 **Renewed:** 14-Apr-2013 **Bypass:**
Shutoffs: (ppp),sss,ttt,qqq,yyy,zzz,dddd,ssss,uuuu,vvvv,xxxx,yyyy,aaaaa

Type: DC **Manufacturer:** Wilkins **Model:** 350AXL
Size: 6 **Orientation:** H **Meters:**
Manual: 9 **0.25% Pb:** Yes **Spare Parts Only:** No
Approved: 14-Apr-2010 **Renewed:** 14-Apr-2013 **Bypass:**
Shutoffs: (ppp),sss,ttt,qqq,yyy,zzz,dddd,ssss,uuuu,vvvv,xxxx,yyyy,aaaaa

Type: DC **Manufacturer:** Wilkins **Model:** 350AXL
Size: 6 **Orientation:** VU **Meters:**
Manual: 9 **0.25% Pb:** No **Spare Parts Only:** No
Approved: 14-Apr-2010 **Renewed:** 14-Apr-2013 **Bypass:**
Shutoffs: (ppp),sss,ttt,qqq,yyy,zzz,dddd,ssss,uuuu,vvvv,xxxx,yyyy,aaaaa

Type: DC **Manufacturer:** Wilkins **Model:** 350AXL
Size: 6 **Orientation:** VU **Meters:**
Manual: 9 **0.25% Pb:** Yes **Spare Parts Only:** No
Approved: 14-Apr-2010 **Renewed:** 14-Apr-2013 **Bypass:**
Shutoffs: (ppp),sss,ttt,qqq,yyy,zzz,dddd,ssss,uuuu,vvvv,xxxx,yyyy,aaaaa

Type: DC **Manufacturer:** Wilkins **Model:** 350AXL
Size: 8 **Orientation:** H **Meters:**
Manual: 9 **0.25% Pb:** No **Spare Parts Only:** No
Approved: 25-Mar-2010 **Renewed:** 25-Mar-2013 **Bypass:**
Shutoffs: (ppp),qqq,sss,ttt,www,yyy,zzz,dddd,eeee,ssss,uuuu,vvvv,xxxx,yyyy,aaaaa

Type: DC **Manufacturer:** Wilkins **Model:** 350AXL
Size: 8 **Orientation:** H **Meters:**
Manual: 9 **0.25% Pb:** Yes **Spare Parts Only:** No
Approved: 25-Mar-2010 **Renewed:** 25-Mar-2013 **Bypass:**
Shutoffs: (ppp),qqq,sss,ttt,www,yyy,zzz,dddd,eeee,ssss,uuuu,vvvv,xxxx,yyyy,aaaaa

Type: DC **Manufacturer:** Wilkins **Model:** 350AXL
Size: 8 **Orientation:** VU **Meters:**
Manual: 9 **0.25% Pb:** No **Spare Parts Only:** No
Approved: 25-Mar-2010 **Renewed:** 25-Mar-2013 **Bypass:**
Shutoffs: (ppp),qqq,sss,ttt,www,yyy,zzz,dddd,eeee,ssss,uuuu,vvvv,xxxx,yyyy,aaaaa

Type: DC **Manufacturer:** Wilkins **Model:** 350AXL
Size: 8 **Orientation:** VU **Meters:**
Manual: 9 **0.25% Pb:** Yes **Spare Parts Only:** No
Approved: 25-Mar-2010 **Renewed:** 25-Mar-2013 **Bypass:**
Shutoffs: (ppp),qqq,sss,ttt,www,yyy,zzz,dddd,eeee,ssss,uuuu,vvvv,xxxx,yyyy,aaaaa

Type: DC **Manufacturer:** Wilkins **Model:** 350AXL
Size: 10 **Orientation:** H **Meters:**
Manual: 9 **0.25% Pb:** Yes **Spare Parts Only:** No
Approved: 25-Mar-2010 **Renewed:** 25-Mar-2013 **Bypass:**
Shutoffs: (ppp),qqq,sss,ttt,www,yyy,zzz,dddd,eeee,ssss,uuuu,vvvv,xxxx,yyyy,aaaaa

Type: DC **Manufacturer:** Wilkins **Model:** 350AXL
Size: 10 **Orientation:** VU **Meters:**
Manual: 9 **0.25% Pb:** Yes **Spare Parts Only:** No
Approved: 25-Mar-2010 **Renewed:** 25-Mar-2013 **Bypass:**
Shutoffs: (ppp),qqq,sss,ttt,www,yyy,zzz,dddd,eeee,ssss,uuuu,vvvv,xxxx,yyyy,aaaaa

Type: DC	Manufacturer: Wilkins	Model: 350D
Size: 3/4	Orientation: H	Meters:
Manual: 9	0.25% Pb: No	Spare Parts Only: No
Approved: 19-May-2009	Renewed: 19-May-2015	Bypass:
Shutoffs: (ii), 000		

Type: DC	Manufacturer: Wilkins	Model: 350D
Size: 3/4	Orientation: VU	Meters:
Manual: 9	0.25% Pb: No	Spare Parts Only: No
Approved: 22-Jun-2009	Renewed: 22-Jun-2015	Bypass:
Shutoffs: (ii), 000		

Type: DC	Manufacturer: Wilkins	Model: 350XL
Size: 3/4	Orientation: H	Meters:
Manual: 9	0.25% Pb: Yes	Spare Parts Only: No
Approved: 30-Aug-2006	Renewed: 30-Aug-2015	Bypass:
Shutoffs: (iii)		

Type: DC	Manufacturer: Wilkins	Model: 350XL
Size: 3/4	Orientation: VU	Meters:
Manual: 9	0.25% Pb: Yes	Spare Parts Only: No
Approved: 30-Aug-2006	Renewed: 30-Aug-2015	Bypass:
Shutoffs: (iii)		

Type: DC	Manufacturer: Wilkins	Model: 350XL
Size: 1	Orientation: H	Meters:
Manual: 9	0.25% Pb: Yes	Spare Parts Only: No
Approved: 27-Oct-2006	Renewed: 27-Oct-2012	Bypass:
Shutoffs: (iii)		

Type: DC	Manufacturer: Wilkins	Model: 350XL
Size: 1	Orientation: VU	Meters:
Manual: 9	0.25% Pb: Yes	Spare Parts Only: No
Approved: 27-Oct-2006	Renewed: 27-Oct-2012	Bypass:
Shutoffs: (iii)		

Type: DC	Manufacturer: Wilkins	Model: 350XL
Size: 1 1/4	Orientation: H	Meters:
Manual: 9	0.25% Pb: Yes	Spare Parts Only: No
Approved: 08-Jan-2009	Renewed: 08-Jan-2015	Bypass:
Shutoffs: (int)		

Type: DC
Size: 1 1/4
Manual: 9
Approved: 08-Jan-2009
Shutoffs: (int)

Manufacturer: Wilkins
Orientation: VU
0.25% Pb: Yes
Renewed: 08-Jan-2015

Model: 350XL
Meters:
Spare Parts Only: No
Bypass:

Type: DC
Size: 1 1/2
Manual: 9
Approved: 08-Jan-2009
Shutoffs: (int)

Manufacturer: Wilkins
Orientation: H
0.25% Pb: Yes
Renewed: 08-Jan-2015

Model: 350XL
Meters:
Spare Parts Only: No
Bypass:

Type: DC
Size: 1 1/2
Manual: 9
Approved: 08-Jan-2009
Shutoffs: (int)

Manufacturer: Wilkins
Orientation: VU
0.25% Pb: Yes
Renewed: 08-Jan-2015

Model: 350XL
Meters:
Spare Parts Only: No
Bypass:

Type: DC
Size: 2
Manual: 9
Approved: 08-Jan-2009
Shutoffs: (int)

Manufacturer: Wilkins
Orientation: H
0.25% Pb: Yes
Renewed: 08-Jan-2015

Model: 350XL
Meters:
Spare Parts Only: No
Bypass:

Type: DC
Size: 2
Manual: 9
Approved: 08-Jan-2009
Shutoffs: (int)

Manufacturer: Wilkins
Orientation: VU
0.25% Pb: Yes
Renewed: 08-Jan-2015

Model: 350XL
Meters:
Spare Parts Only: No
Bypass:

Type: DC
Size: 2 1/2
Manual: 9
Approved: 14-Apr-2010
Shutoffs: ee,ff,ll,mm,tt,uu,yy,zz,zzz,dddd

Manufacturer: Wilkins
Orientation: H
0.25% Pb: No
Renewed: 14-Apr-2013

Model: 350XL
Meters:
Spare Parts Only: No
Bypass:

Type: DC
Size: 2 1/2
Manual: 9
Approved: 14-Apr-2010
Shutoffs: (gg),hh,ppp,qqq,ssss,ttt,vvvv,www,yyyy,zzzz

Manufacturer: Wilkins
Orientation: H
0.25% Pb: Yes
Renewed: 14-Apr-2013

Model: 350XL
Meters:
Spare Parts Only: No
Bypass:

Type: DC **Manufacturer:** Wilkins **Model:** 350XL
Size: 2 1/2 **Orientation:** VU **Meters:**
Manual: 9 **0.25% Pb:** No **Spare Parts Only:** No
Approved: 14-Apr-2010 **Renewed:** 14-Apr-2013 **Bypass:**
Shutoffs: ee,ff,ll,mm,tt,uu,yy,zz,zzz,dddd

Type: DC **Manufacturer:** Wilkins **Model:** 350XL
Size: 2 1/2 **Orientation:** VU **Meters:**
Manual: 9 **0.25% Pb:** Yes **Spare Parts Only:** No
Approved: 14-Apr-2010 **Renewed:** 14-Apr-2013 **Bypass:**
Shutoffs: (gg),hh,ppp,qqq,ssss,tttt,vvvv,www,yyyy,zzzz

Type: DC **Manufacturer:** Wilkins **Model:** 350XL
Size: 3 **Orientation:** H **Meters:**
Manual: 9 **0.25% Pb:** No **Spare Parts Only:** No
Approved: 14-Apr-2010 **Renewed:** 14-Apr-2013 **Bypass:**
Shutoffs: ee,ff,ll,mm,tt,uu,yy,zz,zzz,dddd

Type: DC **Manufacturer:** Wilkins **Model:** 350XL
Size: 3 **Orientation:** H **Meters:**
Manual: 9 **0.25% Pb:** Yes **Spare Parts Only:** No
Approved: 14-Apr-2010 **Renewed:** 14-Apr-2013 **Bypass:**
Shutoffs: (gg),hh,ppp,qqq,ssss,tttt,vvvv,www,yyyy,zzzz

Type: DC **Manufacturer:** Wilkins **Model:** 350XL
Size: 3 **Orientation:** VU **Meters:**
Manual: 9 **0.25% Pb:** No **Spare Parts Only:** No
Approved: 14-Apr-2010 **Renewed:** 14-Apr-2013 **Bypass:**
Shutoffs: ee,ff,ll,mm,tt,uu,yy,zz,zzz,dddd

Type: DC **Manufacturer:** Wilkins **Model:** 350XL
Size: 3 **Orientation:** VU **Meters:**
Manual: 9 **0.25% Pb:** Yes **Spare Parts Only:** No
Approved: 14-Apr-2010 **Renewed:** 14-Apr-2013 **Bypass:**
Shutoffs: (gg),hh,ppp,qqq,ssss,tttt,vvvv,www,yyyy,zzzz

Type: DC **Manufacturer:** Wilkins **Model:** 350XL
Size: 4 **Orientation:** H **Meters:**
Manual: 9 **0.25% Pb:** No **Spare Parts Only:** No
Approved: 14-Apr-2010 **Renewed:** 14-Apr-2013 **Bypass:**
Shutoffs: ee,ff,ll,mm,tt,uu,yy,zz,zzz,dddd,eeee

Type: DC **Manufacturer:** Wilkins **Model:** 350XL
Size: 4 **Orientation:** H **Meters:**
Manual: 9 **0.25% Pb:** Yes **Spare Parts Only:** No
Approved: 14-Apr-2010 **Renewed:** 14-Apr-2013 **Bypass:**
Shutoffs: (gg),hh,ppp,qqq,vvv,www,ssss,tttt,vvvv,wwwwww,yyyy,zzzz

Type: DC **Manufacturer:** Wilkins **Model:** 350XL
Size: 4 **Orientation:** VU **Meters:**
Manual: 9 **0.25% Pb:** No **Spare Parts Only:** No
Approved: 14-Apr-2010 **Renewed:** 14-Apr-2013 **Bypass:**
Shutoffs: ee,ff,ll,mm,tt,uu,yy,zz,zzz,dddd,eeee

Type: DC **Manufacturer:** Wilkins **Model:** 350XL
Size: 4 **Orientation:** VU **Meters:**
Manual: 9 **0.25% Pb:** Yes **Spare Parts Only:** No
Approved: 14-Apr-2010 **Renewed:** 14-Apr-2013 **Bypass:**
Shutoffs: (gg),hh,ppp,qqq,vvv,www,ssss,tttt,vvvv,wwwwww,yyyy,zzzz

Type: DC **Manufacturer:** Wilkins **Model:** 350XL
Size: 6 **Orientation:** H **Meters:**
Manual: 9 **0.25% Pb:** No **Spare Parts Only:** No
Approved: 14-Apr-2010 **Renewed:** 14-Apr-2013 **Bypass:**
Shutoffs: ee,ff,ll,mm,tt,uu,yy,zz,zzz,dddd,eeee

Type: DC **Manufacturer:** Wilkins **Model:** 350XL
Size: 6 **Orientation:** H **Meters:**
Manual: 9 **0.25% Pb:** Yes **Spare Parts Only:** No
Approved: 14-Apr-2010 **Renewed:** 14-Apr-2013 **Bypass:**
Shutoffs: (gg),hh,ppp,qqq,vvv,www,ssss,tttt,vvvv,wwwwww,yyyy,zzzz

Type: DC **Manufacturer:** Wilkins **Model:** 350XL
Size: 6 **Orientation:** VU **Meters:**
Manual: 9 **0.25% Pb:** No **Spare Parts Only:** No
Approved: 14-Apr-2010 **Renewed:** 14-Apr-2013 **Bypass:**
Shutoffs: ee,ff,ll,mm,tt,uu,yy,zz,zzz,dddd,eeee

Type: DC **Manufacturer:** Wilkins **Model:** 350XL
Size: 6 **Orientation:** VU **Meters:**
Manual: 9 **0.25% Pb:** Yes **Spare Parts Only:** No
Approved: 14-Apr-2010 **Renewed:** 14-Apr-2013 **Bypass:**
Shutoffs: (gg),hh,ppp,qqq,vvv,www,ssss,tttt,vvvv,wwwwww,yyyy,zzzz

Type: DC **Manufacturer:** Wilkins **Model:** 350XL
Size: 8 **Orientation:** H **Meters:**
Manual: 9 **0.25% Pb:** No **Spare Parts Only:** No
Approved: 25-Mar-2010 **Renewed:** 25-Mar-2013 **Bypass:**
Shutoffs: ee,ff,ll,mm,tt,uu,yy,zz,zzz,dddd,eeee

Type: DC **Manufacturer:** Wilkins **Model:** 350XL
Size: 8 **Orientation:** H **Meters:**
Manual: 9 **0.25% Pb:** Yes **Spare Parts Only:** No
Approved: 25-Mar-2010 **Renewed:** 25-Mar-2013 **Bypass:**
Shutoffs: (gg),hh,ppp,qqq,vvv,www,ssss,tttt,vvvv,wwww,yyyy,zzzz

Type: DC **Manufacturer:** Wilkins **Model:** 350XL
Size: 8 **Orientation:** VU **Meters:**
Manual: 9 **0.25% Pb:** No **Spare Parts Only:** No
Approved: 25-Mar-2010 **Renewed:** 25-Mar-2013 **Bypass:**
Shutoffs: ee,ff,ll,mm,tt,uu,yy,zz,zzz,dddd,eeee

Type: DC **Manufacturer:** Wilkins **Model:** 350XL
Size: 8 **Orientation:** VU **Meters:**
Manual: 9 **0.25% Pb:** Yes **Spare Parts Only:** No
Approved: 25-Mar-2010 **Renewed:** 25-Mar-2013 **Bypass:**
Shutoffs: (gg),hh,ppp,qqq,vvv,www,ssss,tttt,vvvv,wwww,yyyy,zzzz

Type: DC **Manufacturer:** Wilkins **Model:** 350XL
Size: 10 **Orientation:** H **Meters:**
Manual: 9 **0.25% Pb:** No **Spare Parts Only:** No
Approved: 25-Mar-2010 **Renewed:** 25-Mar-2013 **Bypass:**
Shutoffs: ee,ff,ll,mm,tt,uu,yy,zz,zzz,dddd,eeee

Type: DC **Manufacturer:** Wilkins **Model:** 350XL
Size: 10 **Orientation:** H **Meters:**
Manual: 9 **0.25% Pb:** Yes **Spare Parts Only:** No
Approved: 25-Mar-2010 **Renewed:** 25-Mar-2013 **Bypass:**
Shutoffs: (ppp),qqq,sss,ttt,yyy,ssss,uuuu,vvvv,xxxx,yyyy,aaaaa

Type: DC **Manufacturer:** Wilkins **Model:** 350XL
Size: 10 **Orientation:** VU **Meters:**
Manual: 9 **0.25% Pb:** No **Spare Parts Only:** No
Approved: 25-Mar-2010 **Renewed:** 25-Mar-2013 **Bypass:**
Shutoffs: ee,ff,ll,mm,tt,uu,yy,zz,zzz,dddd,eeee

Type: DC **Manufacturer:** Wilkins **Model:** 350XL
Size: 10 **Orientation:** VU **Meters:**
Manual: 9 **0.25% Pb:** Yes **Spare Parts Only:** No
Approved: 25-Mar-2010 **Renewed:** 25-Mar-2013 **Bypass:**
Shutoffs: (ppp),qqq,sss,ttt,yyy,ssss,uuuu,vvvv,xxxx,yyyy,aaaaa

Type: DC **Manufacturer:** Wilkins **Model:** 350XL
Size: 12 **Orientation:** H **Meters:**
Manual: 9 **0.25% Pb:** Yes **Spare Parts Only:** No
Approved: 25-Mar-2010 **Renewed:** 25-Mar-2013 **Bypass:**
Shutoffs: (hh),ssss,tttt,uuuu,vvvv,wwww,xxxx,yyyy,zzzz,aaaaa

Type: DC **Manufacturer:** Wilkins **Model:** 450
Size: 2 1/2 **Orientation:** VUVD **Meters:**
Manual: 9 **0.25% Pb:** Yes **Spare Parts Only:** No
Approved: 09-Sep-2010 **Renewed:** 09-Sep-2013 **Bypass:**
Shutoffs: (gg),ee,ff,hh,ll,mm,tt,uu,yy,zz,ppp,qqq,zzz,dddd,ssss,uuuu,vvvv,xxxx,yyyy,aaaaa,kkkkk
Notes: Serial number K01185 and higher

Type: DC **Manufacturer:** Wilkins **Model:** 450
Size: 2 1/2 **Orientation:** VUVD **Meters:**
Manual: 9 **0.25% Pb:** No **Spare Parts Only:** No
Approved: 24-Jan-2002 **Renewed:** 24-Jan-2014 **Bypass:**
Shutoffs: (gg),ee,ff,hh,ll,mm,tt,uu,yy,zz,ppp,qqq,zzz,dddd,ssss,uuuu,vvvv,xxxx,yyyy,aaaaa
Notes: Up to serial number K01185

Type: DC **Manufacturer:** Wilkins **Model:** 450
Size: 3 **Orientation:** VUVD **Meters:**
Manual: 9 **0.25% Pb:** Yes **Spare Parts Only:** No
Approved: 09-Sep-2010 **Renewed:** 09-Sep-2013 **Bypass:**
Shutoffs: (gg),hh,ppp,qqq,ssss,uuuu,vvvv,xxxx,yyyy,aaaaa,kkkkk,lllll
Notes: Serial number K01185 and higher

Type: DC **Manufacturer:** Wilkins **Model:** 450
Size: 3 **Orientation:** VUVD **Meters:**
Manual: 9 **0.25% Pb:** No **Spare Parts Only:** No
Approved: 24-Jan-2002 **Renewed:** 24-Jan-2014 **Bypass:**
Shutoffs: (gg),ee,ff,hh,ll,mm,tt,uu,yy,zz,ppp,qqq,zzz,dddd,ssss,uuuu,vvvv,xxxx,yyyy,aaaaa,kkkkk,lllll
Notes: Up to serial number K01185

Type: DC **Manufacturer:** Wilkins **Model:** 450
Size: 4 **Orientation:** VUVD **Meters:**
Manual: 9 **0.25% Pb:** Yes **Spare Parts Only:** No
Approved: 09-Sep-2010 **Renewed:** 09-Sep-2013 **Bypass:**
Shutoffs: (ppp),qqq,sss,ttt,www,yyy,ssss,uuuu,vvvv,xxxx,yyyy,aaaaa,kkkkk,lllll
Notes: Serial number K01185 and higher

Type: DC **Manufacturer:** Wilkins **Model:** 450
Size: 4 **Orientation:** VUVD **Meters:**
Manual: 9 **0.25% Pb:** No **Spare Parts Only:** No
Approved: 12-Apr-2000 **Renewed:** 12-Apr-2015 **Bypass:**
Shutoffs: (ppp),qqq,sss,ttt,www,yyy,zzz,dddd,eeee,ssss,uuuu,vvvv,xxxx,yyyy,aaaaa,kkkkk,lllll
Notes: Up to serial number K01185

Type: DC **Manufacturer:** Wilkins **Model:** 450
Size: 6 **Orientation:** VUVD **Meters:**
Manual: 9 **0.25% Pb:** Yes **Spare Parts Only:** No
Approved: 09-Sep-2010 **Renewed:** 09-Sep-2013 **Bypass:**
Shutoffs: (ppp),qqq,sss,ttt,www,yyy,ssss,uuuu,vvvv,xxxx,yyyy,aaaaa,kkkkk,lllll
Notes: Serial number K01185 and higher

Type: DC **Manufacturer:** Wilkins **Model:** 450
Size: 6 **Orientation:** VUVD **Meters:**
Manual: 9 **0.25% Pb:** No **Spare Parts Only:** No
Approved: 24-May-2000 **Renewed:** 24-May-2015 **Bypass:**
Shutoffs: (ppp),qqq,sss,ttt,www,yyy,zzz,dddd,eeee,ssss,uuuu,vvvv,xxxx,yyyy,aaaaa,kkkkk,lllll
Notes: Up to serial number K01185

Type: DC **Manufacturer:** Wilkins **Model:** 450
Size: 8 **Orientation:** VUVD **Meters:**
Manual: 9 **0.25% Pb:** Yes **Spare Parts Only:** No
Approved: 09-Sep-2010 **Renewed:** 09-Sep-2013 **Bypass:**
Shutoffs: (ppp),qqq,sss,ttt,www,yyy,ssss,uuuu,vvvv,xxxx,yyyy,aaaaa,kkkkk,lllll
Notes: Serial number K01185 and higher

Type: DC **Manufacturer:** Wilkins **Model:** 450
Size: 8 **Orientation:** VUVD **Meters:**
Manual: 9 **0.25% Pb:** No **Spare Parts Only:** No
Approved: 14-Apr-2003 **Renewed:** 14-Apr-2015 **Bypass:**
Shutoffs: (ppp),qqq,sss,ttt,www,yyy,zzz,dddd,eeee,ssss,uuuu,vvvv,xxxx,yyyy,aaaaa,kkkkk,lllll
Notes: Up to serial number K01185

Type: DC **Manufacturer:** Wilkins **Model:** 450
Size: 10 **Orientation:** VUVD **Meters:**
Manual: 9 **0.25% Pb:** Yes **Spare Parts Only:** No
Approved: 09-Sep-2010 **Renewed:** 09-Sep-2013 **Bypass:**
Shutoffs: (ppp),qqq,sss,ttt,www,yyy,ssss,uuuu,vvvv,xxxx,yyyy,aaaaa,kkkkk,lllll
Notes: Serial number K01185 and higher

Type: DC **Manufacturer:** Wilkins **Model:** 450
Size: 10 **Orientation:** VUVD **Meters:**
Manual: 9 **0.25% Pb:** No **Spare Parts Only:** No
Approved: 11-Sep-2003 **Renewed:** 11-Sep-2015 **Bypass:**
Shutoffs: (ppp),qqq,sss,ttt,www,yyy,zzz,dddd,eeee,ssss,uuuu,vvvv,xxxx,yyyy,aaaaa,kkkkk,lllll
Notes: Up to serial number K01185

Type: DC **Manufacturer:** Wilkins **Model:** 450XL
Size: 2 1/2 **Orientation:** VUVD **Meters:**
Manual: 9 **0.25% Pb:** No **Spare Parts Only:** No
Approved: 14-Apr-2010 **Renewed:** 14-Apr-2013 **Bypass:**
Shutoffs: (gg),hh,ppp,qqq,ssss,tttt,vvvv,www,yyyy,zzzz

Type: DC **Manufacturer:** Wilkins **Model:** 450XL
Size: 2 1/2 **Orientation:** VUVD **Meters:**
Manual: 9 **0.25% Pb:** Yes **Spare Parts Only:** No
Approved: 14-Apr-2010 **Renewed:** 14-Apr-2013 **Bypass:**
Shutoffs: (gg),hh,ppp,qqq,ssss,tttt,vvvv,www,yyyy,zzzz

Type: DC **Manufacturer:** Wilkins **Model:** 450XL
Size: 3 **Orientation:** VUVD **Meters:**
Manual: 9 **0.25% Pb:** No **Spare Parts Only:** No
Approved: 14-Apr-2010 **Renewed:** 14-Apr-2013 **Bypass:**
Shutoffs: (gg),hh,ppp,qqq,ssss,tttt,vvvv,www,yyyy,zzzz

Type: DC **Manufacturer:** Wilkins **Model:** 450XL
Size: 3 **Orientation:** VUVD **Meters:**
Manual: 9 **0.25% Pb:** Yes **Spare Parts Only:** No
Approved: 14-Apr-2010 **Renewed:** 14-Apr-2013 **Bypass:**
Shutoffs: (gg),hh,ppp,qqq,vvv,www,ssss,tttt,vvvv,www,yyyy,zzzz

Type: DC	Manufacturer: Wilkins	Model: 450XL
Size: 4	Orientation: VUVD	Meters:
Manual: 9	0.25% Pb: No	Spare Parts Only: No
Approved: 14-Apr-2010	Renewed: 14-Apr-2013	Bypass:
Shutoffs: (gg),hh,ppp,qqq,vvv,www,ssss,tttt,vvvv,wwww,yyyy,zzzz		

Type: DC	Manufacturer: Wilkins	Model: 450XL
Size: 4	Orientation: VUVD	Meters:
Manual: 9	0.25% Pb: Yes	Spare Parts Only: No
Approved: 14-Apr-2010	Renewed: 14-Apr-2013	Bypass:
Shutoffs: (gg),hh,ppp,qqq,vvv,www,ssss,tttt,vvvv,wwww,yyyy,zzzz		

Type: DC	Manufacturer: Wilkins	Model: 450XL
Size: 6	Orientation: VUVD	Meters:
Manual: 9	0.25% Pb: No	Spare Parts Only: No
Approved: 14-Apr-2010	Renewed: 14-Apr-2013	Bypass:
Shutoffs: (gg),hh,ppp,qqq,vvv,www,ssss,tttt,vvvv,wwww,yyyy,zzzz		

Type: DC	Manufacturer: Wilkins	Model: 450XL
Size: 6	Orientation: VUVD	Meters:
Manual: 9	0.25% Pb: Yes	Spare Parts Only: No
Approved: 14-Apr-2010	Renewed: 14-Apr-2013	Bypass:
Shutoffs: (gg),hh,ppp,qqq,vvv,www,ssss,tttt,vvvv,wwww,yyyy,zzzz		

Type: DC	Manufacturer: Wilkins	Model: 450XL
Size: 8	Orientation: VUVD	Meters:
Manual: 9	0.25% Pb: No	Spare Parts Only: No
Approved: 25-Mar-2010	Renewed: 25-Mar-2013	Bypass:
Shutoffs: (gg),hh,ppp,qqq,vvv,www,ssss,tttt,vvvv,wwww,yyyy,zzzz		

Type: DC	Manufacturer: Wilkins	Model: 450XL
Size: 8	Orientation: VUVD	Meters:
Manual: 9	0.25% Pb: Yes	Spare Parts Only: No
Approved: 25-Mar-2010	Renewed: 25-Mar-2013	Bypass:
Shutoffs: (gg),hh,ppp,qqq,vvv,www,ssss,tttt,vvvv,wwww,yyyy,zzzz		

Type: DC	Manufacturer: Wilkins	Model: 450XL
Size: 10	Orientation: VUVD	Meters:
Manual: 9	0.25% Pb: No	Spare Parts Only: No
Approved: 25-Mar-2010	Renewed: 25-Mar-2013	Bypass:
Shutoffs: (gg),hh,ppp,qqq,vvv,www,ssss,tttt,vvvv,wwww,yyyy,zzzz		

Type: DC **Manufacturer:** Wilkins **Model:** 450XL
Size: 10 **Orientation:** VUVD **Meters:**
Manual: 9 **0.25% Pb:** Yes **Spare Parts Only:** No
Approved: 25-Mar-2010 **Renewed:** 25-Mar-2013 **Bypass:**
Shutoffs: (hh),ssss,tttt,xxxx,yyyy,zzzz,aaaaa

Type: DC **Manufacturer:** Wilkins **Model:** 550
Size: 3/4 **Orientation:** H **Meters:**
Manual: 5 **0.25% Pb:** No **Spare Parts Only:** Yes
Approved: 11-Oct-1976 **Renewed:** 11-Oct-2015 **Bypass:**
Shutoffs: (ppp),qqq,sss,ttt,yyy,ssss,uuuu,vvvv,xxxx,yyyy,aaaaa

Type: DC **Manufacturer:** Wilkins **Model:** 550
Size: 1 **Orientation:** H **Meters:**
Manual: 5 **0.25% Pb:** No **Spare Parts Only:** Yes
Approved: 11-Oct-1976 **Renewed:** 11-Oct-2015 **Bypass:**
Shutoffs: (ppp),qqq,sss,ttt,yyy,ssss,uuuu,vvvv,xxxx,yyyy,aaaaa

Type: DC **Manufacturer:** Wilkins **Model:** 550
Size: 1 1/4 **Orientation:** H **Meters:**
Manual: 5 **0.25% Pb:** No **Spare Parts Only:** Yes
Approved: 11-Oct-1976 **Renewed:** 11-Oct-2015 **Bypass:**
Shutoffs: (ppp),qqq,sss,ttt,yyy,ssss,uuuu,vvvv,xxxx,yyyy,aaaaa

Type: DC **Manufacturer:** Wilkins **Model:** 550
Size: 1 1/2 **Orientation:** H **Meters:**
Manual: 5 **0.25% Pb:** No **Spare Parts Only:** Yes
Approved: 11-Oct-1976 **Renewed:** 11-Oct-2015 **Bypass:**
Shutoffs: (ppp),qqq,sss,ttt,yyy,ssss,uuuu,vvvv,xxxx,yyyy,aaaaa

Type: DC **Manufacturer:** Wilkins **Model:** 550
Size: 1 1/2 **Orientation:** H **Meters:**
Manual: 5 **0.25% Pb:** No **Spare Parts Only:** Yes
Approved: 11-Oct-1976 **Renewed:** 11-Oct-2015 **Bypass:**
Shutoffs: (ppp),qqq,sss,ttt,yyy,ssss,uuuu,vvvv,xxxx,yyyy,aaaaa

Type: DC **Manufacturer:** Wilkins **Model:** 550
Size: 2 **Orientation:** H **Meters:**
Manual: 5 **0.25% Pb:** No **Spare Parts Only:** Yes
Approved: 11-Oct-1976 **Renewed:** 11-Oct-2015 **Bypass:**
Shutoffs: (ppp),qqq,sss,ttt,yyy,ssss,uuuu,vvvv,xxxx,yyyy,aaaaa

Type: DC	Manufacturer: Wilkins	Model: 550
Size: 2 1/2	Orientation: H	Meters:
Manual: 7	0.25% Pb: No	Spare Parts Only: Yes
Approved: 25-Sep-1986	Renewed: 25-Sep-2013	Bypass:
Shutoffs: (ppp),qqq,sss,ttt,yyy,ssss,uuuu,vvvv,xxxx,yyyy,aaaaa		

Type: DC	Manufacturer: Wilkins	Model: 550
Size: 3	Orientation: H	Meters:
Manual: 5	0.25% Pb: No	Spare Parts Only: Yes
Approved: 20-Aug-1979	Renewed: 20-Aug-2015	Bypass:
Shutoffs: (ppp),qqq,sss,ttt,yyy,ssss,uuuu,vvvv,xxxx,yyyy,aaaaa		

Type: DC	Manufacturer: Wilkins	Model: 550
Size: 4	Orientation: H	Meters:
Manual: 5	0.25% Pb: No	Spare Parts Only: Yes
Approved: 20-Jun-1980	Renewed: 20-Jun-2013	Bypass:
Shutoffs: (ppp),qqq,sss,ttt,www,yyy,ssss,uuuu,vvvv,xxxx,yyyy,aaaaa		

Type: DC	Manufacturer: Wilkins	Model: 550
Size: 6	Orientation: H	Meters:
Manual: 6	0.25% Pb: No	Spare Parts Only: Yes
Approved: 06-Jul-1981	Renewed: 06-Jul-2014	Bypass:
Shutoffs: (ppp),qqq,sss,ttt,www,yyy,ssss,uuuu,vvvv,xxxx,yyyy,aaaaa		

Type: DC	Manufacturer: Wilkins	Model: 550A
Size: 3/4	Orientation: H	Meters:
Manual: 7	0.25% Pb: No	Spare Parts Only: Yes
Approved: 17-Apr-1987	Renewed: 17-Apr-2014	Bypass:
Shutoffs: (ppp),qqq,sss,ttt,yyy,ssss,uuuu,vvvv,xxxx,yyyy,aaaaa		

Type: DC	Manufacturer: Wilkins	Model: 550A
Size: 1	Orientation: H	Meters:
Manual: 7	0.25% Pb: No	Spare Parts Only: Yes
Approved: 17-Apr-1987	Renewed: 17-Apr-2014	Bypass:
Shutoffs: (ppp),qqq,sss,ttt,yyy,ssss,uuuu,vvvv,xxxx,yyyy,aaaaa		

Type: DC
Size: 8
Manual: 8
Approved: 15-Mar-1989
Shutoffs: (ppp),sss,ttt,qqq,yyy,zzz,dddd,ssss,uuuu,vvvv,xxxx,yyyy,aaaaa
Notes: 4"x4"x8" Manifold Formerly MBD

Manufacturer: Wilkins
Orientation: H
0.25% Pb: No
Renewed: 15-Mar-2013
Model: 550M
Meters:
Spare Parts Only: Yes
Bypass:

Type: DC
Size: 10
Manual: 6
Approved: 11-Apr-1983
Shutoffs: (ppp),sss,ttt,qqq,yyy,zzz,dddd,ssss,uuuu,vvvv,xxxx,yyyy,aaaaa
Notes: 6"x6"x10" Manifold Formerly MBD

Manufacturer: Wilkins
Orientation: H
0.25% Pb: No
Renewed: 11-Apr-2013
Model: 550M
Meters:
Spare Parts Only: Yes
Bypass:

Type: DC
Size: 3/4
Manual: 8
Approved: 18-Jul-1991
Shutoffs: (ppp),sss,ttt,qqq,yyy,zzz,dddd,ssss,uuuu,vvvv,xxxx,yyyy,aaaaa

Manufacturer: Wilkins
Orientation: H
0.25% Pb: No
Renewed: 18-Jul-2015
Model: 950
Meters:
Spare Parts Only: Yes
Bypass:

Type: DC
Size: 1
Manual: 8
Approved: 18-Jul-1991
Shutoffs: (ppp),sss,ttt,qqq,yyy,zzz,dddd,ssss,uuuu,vvvv,xxxx,yyyy,aaaaa

Manufacturer: Wilkins
Orientation: H
0.25% Pb: No
Renewed: 18-Jul-2015
Model: 950
Meters:
Spare Parts Only: Yes
Bypass:

Type: DC
Size: 1 1/4
Manual: 8
Approved: 05-Apr-1991
Shutoffs: (ppp),qqq,sss,ttt,www,yyy,zzz,dddd,eeee,ssss,uuuu,vvvv,xxxx,yyyy,aaaaa

Manufacturer: Wilkins
Orientation: H
0.25% Pb: No
Renewed: 05-Apr-2015
Model: 950
Meters:
Spare Parts Only: Yes
Bypass:

Type: DC
Size: 1 1/2
Manual: 8
Approved: 05-Apr-1991
Shutoffs: (ppp),qqq,sss,ttt,www,yyy,zzz,dddd,eeee,ssss,uuuu,vvvv,xxxx,yyyy,aaaaa

Manufacturer: Wilkins
Orientation: H
0.25% Pb: No
Renewed: 05-Apr-2015
Model: 950
Meters:
Spare Parts Only: Yes
Bypass:

Type: DC	Manufacturer: Wilkins	Model: 950
Size: 2	Orientation: H	Meters:
Manual: 8	0.25% Pb: No	Spare Parts Only: Yes
Approved: 05-Apr-1991	Renewed: 05-Apr-2015	Bypass:
Shutoffs: (ppp),qqq,sss,ttt,www,yyy,zzz,dddd,eeee,ssss,uuuu,vvvv,xxxx,yyyy,aaaaa		

Type: DC	Manufacturer: Wilkins	Model: 950
Size: 2 1/2	Orientation: H	Meters:
Manual: 8	0.25% Pb: No	Spare Parts Only: Yes
Approved: 26-Nov-1991	Renewed: 26-Nov-2012	Bypass:
Shutoffs: (ppp),qqq,sss,ttt,www,yyy,zzz,dddd,eeee,ssss,uuuu,vvvv,xxxx,yyyy,aaaaa		

Type: DC	Manufacturer: Wilkins	Model: 950
Size: 3	Orientation: H	Meters:
Manual: 8	0.25% Pb: No	Spare Parts Only: No
Approved: 08-Nov-1991	Renewed: 08-Nov-2012	Bypass:
Shutoffs: (ppp),qqq,sss,ttt,www,yyy,zzz,dddd,eeee,ssss,uuuu,vvvv,xxxx,yyyy,aaaaa		

Type: DC	Manufacturer: Wilkins	Model: 950
Size: 4	Orientation: H	Meters:
Manual: 8	0.25% Pb: No	Spare Parts Only: Yes
Approved: 08-Nov-1991	Renewed: 08-Nov-2012	Bypass:
Shutoffs: (ppp),qqq,sss,ttt,www,yyy,zzz,dddd,eeee,ssss,uuuu,vvvv,xxxx,yyyy,aaaaa		

Type: DC	Manufacturer: Wilkins	Model: 950
Size: 4	Orientation: VU	Meters:
Manual: 8	0.25% Pb: No	Spare Parts Only: Yes
Approved: 29-Aug-1995	Renewed: 29-Aug-2013	Bypass:
Shutoffs: (ppp),qqq,sss,ttt,www,yyy,zzz,dddd,eeee,ssss,uuuu,vvvv,xxxx,yyyy,aaaaa		

Type: DC	Manufacturer: Wilkins	Model: 950
Size: 6	Orientation: H	Meters:
Manual: 8	0.25% Pb: No	Spare Parts Only: Yes
Approved: 18-Mar-1992	Renewed: 18-Mar-2013	Bypass:
Shutoffs: (ppp),qqq,sss,ttt,www,yyy,zzz,dddd,eeee,ssss,uuuu,vvvv,xxxx,yyyy,aaaaa		

Type: DC	Manufacturer: Wilkins	Model: 950
Size: 6	Orientation: VU	Meters:
Manual: 8	0.25% Pb: No	Spare Parts Only: Yes
Approved: 29-Aug-1995	Renewed: 29-Aug-2013	Bypass:
Shutoffs: (gg),hh,ppp,qqq,ssss,uuuu,vvvv,xxxx,yyyy,aaaaa		

Type: DC	Manufacturer: Wilkins	Model: 950
Size: 8	Orientation: H	Meters:
Manual: 8	0.25% Pb: No	Spare Parts Only: No
Approved: 18-Mar-1989	Renewed: 18-Mar-2013	Bypass:
Shutoffs: (gg),hh,ppp,qqq,ssss,uuuu,vvvv,xxxx,yyyy,aaaaa		

Type: DC	Manufacturer: Wilkins	Model: 950
Size: 8	Orientation: VU	Meters:
Manual: 8	0.25% Pb: No	Spare Parts Only: No
Approved: 29-Aug-1995	Renewed: 29-Aug-2013	Bypass:
Shutoffs: (ppp),qqq,sss,ttt,www,yyy,ssss,uuuu,vvvv,xxxx,yyyy,aaaaa		

Type: DC	Manufacturer: Wilkins	Model: 950
Size: 10	Orientation: H	Meters:
Manual: 8	0.25% Pb: No	Spare Parts Only: No
Approved: 12-Apr-1994	Renewed: 12-Apr-2015	Bypass:
Shutoffs: (ppp),qqq,sss,ttt,www,yyy,ssss,uuuu,vvvv,xxxx,yyyy,aaaaa		

Type: DC	Manufacturer: Wilkins	Model: 950A
Size: 3/4	Orientation: H	Meters:
Manual: 8	0.25% Pb: No	Spare Parts Only: Yes
Approved: 18-Jul-1991	Renewed: 18-Jul-2015	Bypass:
Shutoffs: (ppp),qqq,sss,ttt,www,yyy,ssss,uuuu,vvvv,xxxx,yyyy,aaaaa		

Type: DC	Manufacturer: Wilkins	Model: 950A
Size: 1	Orientation: H	Meters:
Manual: 8	0.25% Pb: No	Spare Parts Only: Yes
Approved: 18-Jul-1991	Renewed: 18-Jul-2015	Bypass:
Shutoffs: (ppp),qqq,sss,ttt,www,yyy,ssss,uuuu,vvvv,xxxx,yyyy,aaaaa		

Type: DC	Manufacturer: Wilkins	Model: 950A
Size: 1 1/4	Orientation: H	Meters:
Manual: 8	0.25% Pb: No	Spare Parts Only: Yes
Approved: 18-Jul-1991	Renewed: 18-Jul-2015	Bypass:
Shutoffs: ii		

Type: DC	Manufacturer: Wilkins	Model: 950A
Size: 1 1/2	Orientation: H	Meters:
Manual: 8	0.25% Pb: No	Spare Parts Only: Yes
Approved: 18-Jul-1991	Renewed: 18-Jul-2015	Bypass:
Shutoffs: ii		

Type: DC	Manufacturer: Wilkins	Model: 950A
Size: 2	Orientation: H	Meters:
Manual: 8	0.25% Pb: No	Spare Parts Only: Yes
Approved: 18-Jul-1991	Renewed: 18-Jul-2015	Bypass:
Shutoffs: ii		

Type: DC	Manufacturer: Wilkins	Model: 950XL
Size: 3/4	Orientation: H	Meters:
Manual: 8	0.25% Pb: No	Spare Parts Only: No
Approved: 02-Nov-1992	Renewed: 02-Nov-2013	Bypass:
Shutoffs: (ii),000		

Type: DC	Manufacturer: Wilkins	Model: 950XL
Size: 3/4	Orientation: VU	Meters:
Manual: 8	0.25% Pb: No	Spare Parts Only: No
Approved: 12-Dec-1996	Renewed: 12-Dec-2014	Bypass:
Shutoffs: (ii),000		

Type: DC	Manufacturer: Wilkins	Model: 950XL
Size: 1	Orientation: H	Meters:
Manual: 8	0.25% Pb: No	Spare Parts Only: No
Approved: 02-Nov-1992	Renewed: 02-Nov-2013	Bypass:
Shutoffs: (ii),000		

Type: DC	Manufacturer: Wilkins	Model: 950XL
Size: 1 1/4	Orientation: H	Meters:
Manual: 8	0.25% Pb: No	Spare Parts Only: No
Approved: 02-Nov-1992	Renewed: 02-Nov-2013	Bypass:
Shutoffs: (ii),000,ggg		

Type: DC	Manufacturer: Wilkins	Model: 950XL
Size: 1 1/2	Orientation: H	Meters:
Manual: 8	0.25% Pb: No	Spare Parts Only: No
Approved: 02-Nov-1992	Renewed: 02-Nov-2013	Bypass:
Shutoffs: (ii),000		

Type: DC	Manufacturer: Wilkins	Model: 950XL
Size: 2	Orientation: H	Meters:
Manual: 8	0.25% Pb: No	Spare Parts Only: No
Approved: 02-Nov-1992	Renewed: 02-Nov-2013	Bypass:
Shutoffs: (ii),bbb,000		

Type: DC
Size: 3/4
Manual: 9
Approved: 15-Sep-1999
Shutoffs: (ii),000
Notes: Up to Serial # 3863324

Manufacturer: Wilkins
Orientation: H
0.25% Pb: No
Renewed: 15-Sep-2014

Model: 950XLD
Meters:
Spare Parts Only: No
Bypass:

Type: DC
Size: 3/4
Manual: 9
Approved: 15-Sep-1999
Shutoffs: (ii),000
Notes: Starting at Serial # 3863325

Manufacturer: Wilkins
Orientation: H
0.25% Pb: Yes
Renewed: 15-Sep-2014

Model: 950XLD
Meters:
Spare Parts Only: No
Bypass:

Type: DC
Size: 3/4
Manual: 10
Approved: 03-Jul-2013
Shutoffs: (iii)
Notes: Up to Serial # 3863324

Manufacturer: Wilkins
Orientation: H
0.25% Pb: No
Renewed:

Model: 950XLD
Meters:
Spare Parts Only: No
Bypass:

Type: DC
Size: 3/4
Manual: 10
Approved: 03-Jul-2013
Shutoffs: (iii)
Notes: Starting at Serial # 3863325

Manufacturer: Wilkins
Orientation: H
0.25% Pb: Yes
Renewed:

Model: 950XLD
Meters:
Spare Parts Only: No
Bypass:

Type: DC
Size: 3/4
Manual: 9
Approved: 05-Jan-2000
Shutoffs: (ii),000
Notes: Up to Serial # 3863324

Manufacturer: Wilkins
Orientation: VU
0.25% Pb: No
Renewed: 05-Jan-2014

Model: 950XLD
Meters:
Spare Parts Only: No
Bypass:

Type: DC
Size: 3/4
Manual: 9
Approved: 05-Jan-2000
Shutoffs: (ii),000
Notes: Starting at Serial # 3863325

Manufacturer: Wilkins
Orientation: VU
0.25% Pb: Yes
Renewed: 05-Jan-2014

Model: 950XLD
Meters:
Spare Parts Only: No
Bypass:

Type: DC **Manufacturer:** Wilkins **Model:** 950XLD
Size: 3/4 **Orientation:** VU **Meters:**
Manual: 10 **0.25% Pb:** No **Spare Parts Only:** No
Approved: 03-Jul-2013 **Renewed:** **Bypass:**
Shutoffs: (iii)
Notes: Up to Serial # 3863324

Type: DC **Manufacturer:** Wilkins **Model:** 950XLD
Size: 3/4 **Orientation:** VU **Meters:**
Manual: 10 **0.25% Pb:** Yes **Spare Parts Only:** No
Approved: 03-Jul-2013 **Renewed:** **Bypass:**
Shutoffs: (iii)
Notes: Starting at Serial # 3863325

Type: DC **Manufacturer:** Wilkins **Model:** 950XLT
Size: 3/4 **Orientation:** H **Meters:**
Manual: 9 **0.25% Pb:** No **Spare Parts Only:** No
Approved: 09-May-1997 **Renewed:** 09-May-2015 **Bypass:**
Shutoffs: (ii),000

Type: DC **Manufacturer:** Wilkins **Model:** 950XLT
Size: 1 **Orientation:** H **Meters:**
Manual: 9 **0.25% Pb:** No **Spare Parts Only:** No
Approved: 09-May-1997 **Renewed:** 09-May-2015 **Bypass:**
Shutoffs: (ii),000

Type: DC **Manufacturer:** Wilkins **Model:** 950XLT
Size: 1 1/4 **Orientation:** H **Meters:**
Manual: 9 **0.25% Pb:** No **Spare Parts Only:** No
Approved: 19-Jun-1998 **Renewed:** 19-Jun-2013 **Bypass:**
Shutoffs: (ii),000

Type: DC **Manufacturer:** Wilkins **Model:** 950XLT
Size: 1 1/2 **Orientation:** H **Meters:**
Manual: 9 **0.25% Pb:** No **Spare Parts Only:** No
Approved: 09-Apr-1998 **Renewed:** 09-Apr-2013 **Bypass:**
Shutoffs: (ii),000

Type: DC
Size: 2
Manual: 9
Approved: 09-Apr-1998
Shutoffs: (ii),ooo,bbbb,cccc

Manufacturer: Wilkins
Orientation: H
0.25% Pb: No
Renewed: 09-Apr-2013

Model: 950XLT
Meters:
Spare Parts Only: No
Bypass:

Type: DC
Size: 3/4
Manual: 9
Approved: 21-Aug-2009
Shutoffs: (iii)

Manufacturer: Wilkins
Orientation: H
0.25% Pb: Yes
Renewed: 21-Aug-2015

Model: 950XLT2
Meters:
Spare Parts Only: No
Bypass:

Type: DC
Size: 1
Manual: 9
Approved: 21-Aug-2009
Shutoffs: (iii)

Manufacturer: Wilkins
Orientation: H
0.25% Pb: Yes
Renewed: 21-Aug-2015

Model: 950XLT2
Meters:
Spare Parts Only: No
Bypass:

Type: DC
Size: 1 1/4
Manual: 9
Approved: 21-Aug-2009
Shutoffs: (iii)

Manufacturer: Wilkins
Orientation: H
0.25% Pb: Yes
Renewed: 21-Aug-2015

Model: 950XLT2
Meters:
Spare Parts Only: No
Bypass:

Type: DC
Size: 1 1/2
Manual: 9
Approved: 21-Aug-2009
Shutoffs: (iii)

Manufacturer: Wilkins
Orientation: H
0.25% Pb: Yes
Renewed: 21-Aug-2015

Model: 950XLT2
Meters:
Spare Parts Only: No
Bypass:

Type: DC
Size: 2
Manual: 9
Approved: 21-Aug-2009
Shutoffs: (iii)

Manufacturer: Wilkins
Orientation: H
0.25% Pb: Yes
Renewed: 21-Aug-2015

Model: 950XLT2
Meters:
Spare Parts Only: No
Bypass:

Type: DC
Size: 3/4
Manual: 9
Approved: 22-Feb-2011
Shutoffs: (mmmmm)

Manufacturer: Wilkins
Orientation: H
0.25% Pb: Yes
Renewed: 22-Feb-2014

Model: 950XLT2U
Meters:
Spare Parts Only: No
Bypass:

Type: DC
Size: 2
Manual: 9
Approved: 22-Feb-2011
Shutoffs: (bbbb)

Manufacturer: Wilkins
Orientation: H
0.25% Pb: No
Renewed: 22-Feb-2014

Model: 950XLTFB
Meters:
Spare Parts Only: No
Bypass:

Type: DC
Size: 2
Manual: 9
Approved: 22-Feb-2011
Shutoffs: (cccc)

Manufacturer: Wilkins
Orientation: H
0.25% Pb: No
Renewed: 22-Feb-2014

Model: 950XLTFSS
Meters:
Spare Parts Only: No
Bypass:

Type: DC
Size: 3/4
Manual: 9
Approved: 14-Aug-2006
Shutoffs: (ggg),xxx

Manufacturer: Wilkins
Orientation: H
0.25% Pb: No
Renewed: 14-Aug-2015

Model: 950XLTU
Meters:
Spare Parts Only: No
Bypass:

Type: DC
Size: 1
Manual: 9
Approved: 14-Aug-2006
Shutoffs: (ggg),xxx

Manufacturer: Wilkins
Orientation: H
0.25% Pb: No
Renewed: 14-Aug-2015

Model: 950XLTU
Meters:
Spare Parts Only: No
Bypass:

Type: DC
Size: 3/4
Manual: 8
Approved: 15-Feb-1994
Shutoffs: (ggg),xxx

Manufacturer: Wilkins
Orientation: H
0.25% Pb: No
Renewed: 15-Feb-2015

Model: 950XLU
Meters:
Spare Parts Only: No
Bypass:

Type: DC
Size: 1
Manual: 8
Approved: 15-Feb-1994
Shutoffs: (ggg),xxx

Manufacturer: Wilkins
Orientation: H
0.25% Pb: No
Renewed: 15-Feb-2015

Model: 950XLU
Meters:
Spare Parts Only: No
Bypass:

Type: DC
Size: 1 1/2
Manual: 8
Approved: 15-Feb-1994
Shutoffs: (ggg),xxx

Manufacturer: Wilkins
Orientation: H
0.25% Pb: No
Renewed: 15-Feb-2015

Model: 950XLU
Meters:
Spare Parts Only: No
Bypass:

Type: DC	Manufacturer: Wilkins	Model: 950XLU
Size: 2	Orientation: H	Meters:
Manual: 8	0.25% Pb: No	Spare Parts Only: No
Approved: 15-Feb-1994	Renewed: 15-Feb-2015	Bypass:
Shutoffs: (ggg),xxx		
Type: DC	Manufacturer: Wilkins	Model: MBD
Size: 8	Orientation:	Meters:
Manual:	0.25% Pb: No	Spare Parts Only: No
Approved:	Renewed:	Bypass:
Notes: 4"x4"x8" Manifold, Model designation changed to 550M		
Type: DC	Manufacturer: Wilkins	Model: MBD
Size: 10	Orientation:	Meters:
Manual:	0.25% Pb: No	Spare Parts Only: No
Approved:	Renewed:	Bypass:
Notes: 6"x6"x10" Manifold, Model designation changed to 550M		
Type: DCDA	Manufacturer: Ames	Model: 3000-1SS
Size: 12	Orientation: H	Meters: (N), H,I,J,K,L,M,O,P,Q
Manual: 9	0.25% Pb: No	Spare Parts Only: No
Approved: 04-Dec-2009	Renewed: 04-Dec-2012	Bypass: Ames 200B 3/4" (H); Watts 719QT 3/4" (H)
Shutoffs: (mm), ll		
Type: DCDA	Manufacturer: Ames	Model: 3000-1SS
Size: 12	Orientation: VU	Meters: (N), H,I,J,K,L,M,O,P,Q
Manual: 9	0.25% Pb: No	Spare Parts Only: No
Approved: 22-Feb-2011	Renewed: 22-Feb-2014	Bypass: Ames 200B 3/4" (VU); Watts 719QT 3/4" (VU)
Shutoffs: (mm), ll		
Type: DCDA	Manufacturer: Ames	Model: 3000B
Size: 2	Orientation: H	Meters:
Manual: 9	0.25% Pb: No	(H),A,B,C,D,E,F,G,I,J,K,L,M,N,O,P,Q
Approved: 16-Jun-1997	Renewed: 16-Jun-2015	Spare Parts Only: No
Shutoffs: (bbb),jjjj,rrrrr		Bypass: Ames 2000B 1/2" (H), Watts 007QT 1/2" (H)

Type: DCDA
Size: 2
Manual: 9
Approved: 16-Jun-1997
Shutoffs: (bbb),jjjj,rrrrr

Manufacturer: Ames
Orientation: VU
0.25% Pb: No
Renewed: 16-Jun-2015

Model: 3000B
Meters:
(H),A,B,C,D,E,F,G,I,J,K,L,M,N,O,P,Q
Spare Parts Only: No
Bypass: Ames 2000B 1/2" (VU), Watts
007QT 1/2" (VU)

Type: DCDA
Size: 2
Manual: 9
Approved: 01-Sep-2009
Shutoffs: (eeee)

Manufacturer: Ames
Orientation: H
0.25% Pb: No
Renewed: 01-Sep-2015

Model: 3000B-FP
Meters:
(H),A,B,C,D,E,F,G,I,J,K,L,M,N,O,P,Q
Spare Parts Only: No
Bypass: Ames 2000B 1/2" (H), Watts
007QT 1/2" (H)

Type: DCDA
Size: 2
Manual: 9
Approved: 19-Jun-2015
Shutoffs: (eeee), bbb, jjjj,rrrrr

Manufacturer: Ames
Orientation: H
0.25% Pb: No
Renewed:

Model: 3000BM1
Meters:
(H),A,B,C,D,E,F,G,I,J,K,L,M,N,O,P,Q
Spare Parts Only: No
Bypass: Ames 2000B 1/2" (H), Watts
007QT 1/2" (H)

Type: DCDA
Size: 2
Manual: 9
Approved: 19-Jun-2015
Shutoffs: (eeee), bbb, jjjj,rrrrr

Manufacturer: Ames
Orientation: VU
0.25% Pb: No
Renewed:

Model: 3000BM1
Meters:
(H),A,B,C,D,E,F,G,I,J,K,L,M,N,O,P,Q
Spare Parts Only: No
Bypass: Ames 2000B 1/2" (VU), Watts
007QT 1/2" (VU)

Type: DCDA
Size: 4
Manual: 6
Approved: 27-Jul-1987
Shutoffs: (pp),hh,uu,eee

Manufacturer: Ames
Orientation: H
0.25% Pb: No
Renewed: 27-Jul-2014

Model: 3000CIV
Meters:
(N),A,B,C,D,E,F,G,H,I,J,K,L,M,O,P,Q
Spare Parts Only: No
Bypass: Ames 2000B 1/2"(H),Watts
007QT 1/2"(H)

Type: DCDA
Size: 4
Manual: 8
Approved: 27-Aug-1996
Shutoffs: (pp),hh,uu,eee

Manufacturer: Ames
Orientation: VU
0.25% Pb: No
Renewed: 27-Aug-2014

Model: 3000CIV
Meters:
 (N),A,B,C,D,E,F,G,H,I,J,K,L,M,O,P,Q
Spare Parts Only: No
Bypass: Ames 2000B 1/2"(VU),Watts
 007QT 1/2"(VU)

Type: DCDA
Size: 6
Manual: 6
Approved: 27-Jul-1987
Shutoffs: (pp),hh,uu,eee

Manufacturer: Ames
Orientation: H
0.25% Pb: No
Renewed: 27-Jul-2014

Model: 3000CIV
Meters:
 (N),A,B,C,D,E,F,G,H,I,J,K,L,M,O,P,Q
Spare Parts Only: No
Bypass: Ames 2000B 1/2"(H),Watts
 007QT 1/2"(H)

Type: DCDA
Size: 6
Manual: 8
Approved: 05-Dec-1996
Shutoffs: (pp),hh,mm,uu,eee

Manufacturer: Ames
Orientation: VU
0.25% Pb: No
Renewed: 05-Dec-2014

Model: 3000CIV
Meters:
 (H),A,B,C,D,E,F,G,I,J,K,L,M,N,O,P,Q
Spare Parts Only: No
Bypass: Ames 2000B 1/2" (VU), Watts
 007QT 1/2" (VU)

Type: DCDA
Size: 8
Manual: 6
Approved: 19-Apr-1987
Shutoffs: (pp),hh,mm,uu,eee

Manufacturer: Ames
Orientation: H
0.25% Pb: No
Renewed: 19-Apr-2014

Model: 3000CIV
Meters:
 (N),A,B,C,D,E,F,G,H,I,J,K,L,M,O,P,Q
Spare Parts Only: No
Bypass: Ames 2000B 1/2"(H),Watts
 007QT 1/2"(H)

Type: DCDA
Size: 8
Manual: 8
Approved: 05-Dec-1996
Shutoffs: (pp),hh,mm,uu,eee

Manufacturer: Ames
Orientation: VU
0.25% Pb: No
Renewed: 05-Dec-2014

Model: 3000CIV
Meters:
 (H),A,B,C,D,E,F,G,I,J,K,L,M,N,O,P,Q
Spare Parts Only: No
Bypass: Ames 2000B 1/2" (VU), Watts
 007QT 1/2" (VU)

Type: DCDA **Manufacturer:** Ames **Model:** 3000CIV
Size: 10 **Orientation:** H **Meters:** (N),E,F,G,H,I,J,K,L,M,O,P,Q
Manual: 6 **0.25% Pb:** No **Spare Parts Only:** No
Approved: 27-Jul-1987 **Renewed:** 27-Jul-2014 **Bypass:** Ames 2000B 1/2"(H),Watts
007QT 1/2"(H)
Shutoffs: (pp),hh,mm,uu,eee

Type: DCDA **Manufacturer:** Ames **Model:** 3000CIV
Size: 10 **Orientation:** VU **Meters:**
(H),A,B,C,D,E,F,G,I,J,K,L,M,N,O,P,Q
Manual: 8 **0.25% Pb:** No **Spare Parts Only:** No
Approved: 05-Dec-1996 **Renewed:** 05-Dec-2014 **Bypass:** Ames 2000B 1/2" (VU), Watts
007QT 1/2" (VU)
Shutoffs: (pp),hh,mm,uu,eee

Type: DCDA **Manufacturer:** Ames **Model:** 3000DCDA
Size: 4 **Orientation:** H **Meters:**
(M),B,C,D,E,F,G,H,I,J,K,L,N,O,P,Q
Manual: 7 **0.25% Pb:** No **Spare Parts Only:** Yes
Approved: 11-Jan-1988 **Renewed:** 11-Jan-2015 **Bypass:** Watts 007QT 3/4" (H)
Shutoffs: uu,ee,ff,gg,hh,mm,oo,pp,ccc,ddd,ffff,gggg
Notes: formerly DCDA

Type: DCDA **Manufacturer:** Ames **Model:** 3000DCDA
Size: 6 **Orientation:** H **Meters:**
(M),B,C,D,E,F,G,H,I,J,K,L,N,O,P,Q
Manual: 7 **0.25% Pb:** No **Spare Parts Only:** Yes
Approved: 11-Jan-1988 **Renewed:** 11-Jan-2015 **Bypass:** Watts 709QT 3/4" (H)
Shutoffs: uu,ee,ff,gg,hh,mm,oo,pp,ccc,ddd,ffff,gggg
Notes: formerly DCDA-I

Type: DCDA **Manufacturer:** Ames **Model:** 3000DCDA
Size: 8 **Orientation:** H **Meters:**
(M),B,C,D,E,F,G,H,I,J,K,L,N,O,P,Q
Manual: 7 **0.25% Pb:** No **Spare Parts Only:** Yes
Approved: 11-Jan-1988 **Renewed:** 11-Jan-2015 **Bypass:** Watts 007QT 3/4" (H)
Shutoffs: uu,ee,ff,gg,hh,mm,oo,pp,ccc,ddd,ffff,gggg
Notes: formerly DCDA

Type: DCDA **Manufacturer:** Ames **Model:** 3000DCDC
Size: 10 **Orientation:** H **Meters:**
(M),B,C,D,E,F,G,H,I,J,K,L,N,O,P,Q
Manual: 7 **0.25% Pb:** No **Spare Parts Only:** No
Approved: 04-Aug-1987 **Renewed:** 04-Aug-2014 **Bypass:** Watts007M2QT 3/4" (H),Watts
709QT 3/4" (H), Ames 2000B 3/4" (H)
Shutoffs: (uu),ee,ff,gg,hh,oo,pp,ccc,ddd,ffff,gggg
Notes: formerly DCDA

Type: DCDA **Manufacturer:** Ames **Model:** 3000GDCDA
Size: 4 **Orientation:** H **Meters:**
(M),B,C,D,E,F,G,H,I,J,K,L,N,O,P,Q
Manual: 7 **0.25% Pb:** No **Spare Parts Only:** Yes
Approved: 11-Jan-1988 **Renewed:** 11-Jan-2015 **Bypass:** Watts 007QT 3/4" (H)
Shutoffs: uu,ee,ff,gg,hh,mm,oo,pp,ccc,ddd,ffff,gggg
Notes: formerly DCDA

Type: DCDA **Manufacturer:** Ames **Model:** 3000GDCDA
Size: 6 **Orientation:** H **Meters:**
(M),B,C,D,E,F,G,H,I,J,K,L,N,O,P,Q
Manual: 7 **0.25% Pb:** No **Spare Parts Only:** Yes
Approved: 11-Jan-1988 **Renewed:** 11-Jan-2015 **Bypass:** Watts 709QT 3/4" (H)
Shutoffs: uu,ee,ff,gg,hh,mm,oo,pp,ccc,ddd,ffff,gggg
Notes: formerly DCDA-I

Type: DCDA **Manufacturer:** Ames **Model:** 3000GDCDA
Size: 8 **Orientation:** H **Meters:**
(M),B,C,D,E,F,G,H,I,J,K,L,N,O,P,Q
Manual: 7 **0.25% Pb:** No **Spare Parts Only:** Yes
Approved: 11-Jan-1988 **Renewed:** 11-Jan-2015 **Bypass:** Watts 007QT 3/4" (H)
Shutoffs: uu,ee,ff,gg,hh,mm,oo,pp,ccc,ddd,ffff,gggg
Notes: formerly DCDA

Type: DCDA **Manufacturer:** Ames **Model:** 3000GDCDC
Size: 10 **Orientation:** H **Meters:**
(M),B,C,D,E,F,G,H,I,J,K,L,N,O,P,Q
Manual: 7 **0.25% Pb:** No **Spare Parts Only:** Yes
Approved: 04-Aug-1987 **Renewed:** 04-Aug-2014 **Bypass:** Watts 709QT 3/4" (H)
Shutoffs: uu,ee,ff,gg,hh,oo,pp,ccc,ddd,ffff,gggg
Notes: formerly DCDC

Type: DCDA **Manufacturer:** Ames **Model:** 3000SE
Size: 2 1/2 **Orientation:** H **Meters:** (M),N,O,P,Q
Manual: 8 **0.25% Pb:** No **Spare Parts Only:** No
Approved: 10-Sep-1996 **Renewed:** 10-Sep-2014 **Bypass:** Watts007M2QT 3/4" (H), Ames 2000B 3/4" (H)
Shutoffs: (mm),ee,ff,gg,hh,ll,oo,pp,tt,uu,ccc,ddd,ffff,gggg

Type: DCDA **Manufacturer:** Ames **Model:** 3000SE
Size: 6 **Orientation:** H **Meters:**
(M),A,B,C,D,E,F,G,H,I,J,K,L,N,O,P,Q
Manual: 8 **0.25% Pb:** No **Spare Parts Only:** Yes
Approved: 24-May-1995 **Renewed:** 24-May-2013 **Bypass:** Watts007M2QT 3/4" (H), Ames 2000B 3/4" (H)
Shutoffs: uu,ee,ff,gg,hh,ll,mm,oo,pp,tt,ccc,ddd,ffff,gggg

Type: DCDA **Manufacturer:** Ames **Model:** 3000SE
Size: 8 **Orientation:** H **Meters:**
(M),A,B,C,D,E,F,G,H,I,J,K,L,N,O,P,Q
Manual: 8 **0.25% Pb:** No **Spare Parts Only:** Yes
Approved: 09-Sep-1992 **Renewed:** 09-Sep-2013 **Bypass:** Watts 007M1QT 3/4" (H)
Shutoffs: uu,ee,ff,gg,hh,ll,mm,oo,pp,tt,ccc,ddd,ffff,gggg

Type: DCDA **Manufacturer:** Ames **Model:** 3000SEA
Size: 8 **Orientation:** H **Meters:**
(M),A,B,C,D,E,F,G,H,I,J,K,L,N,O,P,Q
Manual: 8 **0.25% Pb:** No **Spare Parts Only:** Yes
Approved: 05-May-1995 **Renewed:** 05-May-2013 **Bypass:** Ames 2000SS 3/4" (H)
Shutoffs: uu,ee,ff,gg,hh,ll,mm,oo,pp,tt,ccc,ddd,ffff,gggg

Type: DCDA **Manufacturer:** Ames **Model:** 3000SEWM1
Size: 6 **Orientation:** H **Meters:**
(M),A,B,C,D,E,F,G,H,I,J,K,L,N,O,P,Q
Manual: 8 **0.25% Pb:** No **Spare Parts Only:** No
Approved: 22-Nov-1993 **Renewed:** 22-Nov-2014 **Bypass:** Watts 007M1QT 3/4" (H)
Shutoffs: (uu),ee,ff,gg,hh,ll,mm,oo,pp,tt,ccc,ddd,ffff,gggg
Notes: formerly 3000SS prior to S/N 2EK0320

Type: DCDA **Manufacturer:** Ames **Model:** 3000SS
Size: 2 1/2 **Orientation:** **Meters:**
Manual: **0.25% Pb:** No **Spare Parts Only:** No
Approved: **Renewed:** **Bypass:**
Notes: to S/N 2EK0320 model designation changed to 3000SEWM1

Type: DCDA **Manufacturer:** Ames **Model:** 3000SS
Size: 2 1/2 **Orientation:** H **Meters:**
(M),A,B,C,D,E,F,G,H,I,J,K,L,N,O,P,Q
Manual: 8 **0.25% Pb:** No **Spare Parts Only:** No
Approved: 24-May-1995 **Renewed:** 24-May-2013 **Bypass:** Watts007M2QT 3/4" (H), Ames
2000B 3/4" (H)
Shutoffs: (uu),ee,ff,gg,hh,ll,mm,oo,pp,tt,ccc,ddd,ffff,gggg

Type: DCDA **Manufacturer:** Ames **Model:** 3000SS
Size: 3 **Orientation:**
Manual: **0.25% Pb:** No **Spare Parts Only:** No
Approved: **Renewed:** **Bypass:**
Notes: to S/N 2EK0320 model designation changed to 3000SEWM1

Type: DCDA **Manufacturer:** Ames **Model:** 3000SS
Size: 3 **Orientation:** H **Meters:**
(M),A,B,C,D,E,F,G,H,I,J,K,L,N,O,P,Q
Manual: 8 **0.25% Pb:** No **Spare Parts Only:** No
Approved: 24-May-1995 **Renewed:** 24-May-2013 **Bypass:** Watts007M2QT 3/4" (H), Ames
2000B 3/4" (H)
Shutoffs: (uu),ee,ff,gg,hh,ll,mm,oo,pp,tt,ccc,ddd,ffff,gggg

Type: DCDA **Manufacturer:** Ames **Model:** 3000SS
Size: 4 **Orientation:**
Manual: **0.25% Pb:** No **Spare Parts Only:** No
Approved: **Renewed:** **Bypass:**
Notes: to S/N 2EK0320 model designation changed to 3000SEWM1

Type: DCDA **Manufacturer:** Ames **Model:** 3000SS
Size: 4 **Orientation:** H **Meters:**
(M),A,B,C,D,E,F,G,H,I,J,K,L,N,O,P,Q
Manual: 8 **0.25% Pb:** No **Spare Parts Only:** No
Approved: 24-May-1995 **Renewed:** 24-May-2013 **Bypass:** Watts007M2QT 3/4" (H), Ames
2000B 3/4" (H)
Shutoffs: (uu),ee,ff,gg,hh,ll,mm,oo,pp,tt,ccc,ddd,ffff,gggg

Type: DCDA **Manufacturer:** Ames **Model:** 3000SS
Size: 6 **Orientation:**
Manual: **0.25% Pb:** No **Spare Parts Only:** No
Approved: **Renewed:** **Bypass:**
Notes: to S/N 2EK0320 model designation changed to 3000SEWM1

Type: DCDA **Manufacturer:** Ames **Model:** 3000SS
Size: 6 **Orientation:** H **Meters:**
(M),A,B,C,D,E,F,G,H,I,J,K,L,N,O,P,Q
Manual: 8 **0.25% Pb:** No **Spare Parts Only:** No
Approved: 09-Sep-1992 **Renewed:** 09-Sep-2013 **Bypass:** Watts 007M1QT 3/4" (H)
Shutoffs: (uu),ee,ff,gg,hh,ll,mm,oo,pp,tt,ccc,ddd,ffff,gggg

Type: DCDA **Manufacturer:** Ames **Model:** 3000SS
Size: 8 **Orientation:** H **Meters:**
(M),A,B,C,D,E,F,G,H,I,J,K,L,N,O,P,Q
Manual: 8 **0.25% Pb:** No **Spare Parts Only:** No
Approved: 16-Sep-1996 **Renewed:** 16-Sep-2014 **Bypass:** Watts007M2QT 3/4" (H), Ames
2000B 3/4" (H)
Shutoffs: (uu),ee,ff,gg,hh,ll,mm,tt,ccc,ddd,ffff,gggg

Type: DCDA **Manufacturer:** Ames **Model:** 3000SS
Size: 10 **Orientation:** H **Meters:** (J),C,E,F,G,H,I,K,L,M,N,O,P,Q
Manual: 8 **0.25% Pb:** No **Spare Parts Only:** No
Approved: 16-Feb-2001 **Renewed:** 16-Feb-2013 **Bypass:** Ames 2000B 3/4" (H)
Shutoffs: (ll),mm,oo,pp,ffff,gggg

Type: DCDA **Manufacturer:** Ames **Model:** 3000SS
Size: 12 **Orientation:** H **Meters:** (N), H,I,J,K,L,M,O,P,Q
Manual: 9 **0.25% Pb:** No **Spare Parts Only:** No
Approved: 04-Dec-2009 **Renewed:** 04-Dec-2012 **Bypass:** Ames 2000BM3 3/4" (H)
Shutoffs: (mm), ll

Type: DCDA **Manufacturer:** Ames **Model:** 3000SS
Size: 12 **Orientation:** VU **Meters:** (N), H,I,J,K,L,M,O,P,Q
Manual: 9 **0.25% Pb:** No **Spare Parts Only:** No
Approved: 22-Feb-2011 **Renewed:** 22-Feb-2014 **Bypass:** Ames 2000BM3 3/4" (VU)
Shutoffs: (mm), ll

Type: DCDA **Manufacturer:** Ames **Model:** 3000SSA
Size: 6 **Orientation:** H **Meters:**
(M),A,B,C,D,E,F,G,H,I,J,K,L,N,O,P,Q
Manual: 8 **0.25% Pb:** No **Spare Parts Only:** Yes
Approved: 05-May-1995 **Renewed:** 05-May-2013 **Bypass:** Ames 2000SS 3/4" (H)
Shutoffs: uu,ee,ff,gg,hh,ll,mm,oo,pp,tt,ccc,ddd,ffff,gggg

Type: DCDA **Manufacturer:** Ames **Model:** 3000SSM
Size: 4 **Orientation:** H **Meters:** (R)
Manual: 8 **0.25% Pb:** No **Spare Parts Only:** Yes
Approved: 05-May-1995 **Renewed:** 05-May-2013 **Bypass:** Ames 2000SS 1" (H)
Shutoffs: uu,ee,ff,gg,hh,ll,mm,oo,pp,tt,ccc,ddd,ffff,gggg

Type: DCDA **Manufacturer:** Ames **Model:** 3000SSM
Size: 6 **Orientation:** H **Meters:** (S)
Manual: 8 **0.25% Pb:** No **Spare Parts Only:** No
Approved: 05-May-1995 **Renewed:** 05-May-2013 **Bypass:** Watts 007M2QT 1 1/2" (H)
Shutoffs: (uu),ee,ff,gg,hh,ll,mm,oo,pp,tt,ccc,ddd,ffff,gggg

Type: DCDA **Manufacturer:** Ames **Model:** 3000SSWM1
Size: 2 1/2 **Orientation:** H **Meters:**
(M),A,B,C,D,E,F,G,H,I,J,K,L,N,O,P,Q
Manual: 8 **0.25% Pb:** No **Spare Parts Only:** No
Approved: 11-Jul-1991 **Renewed:** 11-Jul-2015 **Bypass:** Watts 007M1QT 3/4" (H)
Shutoffs: (uu),ee,ff,gg,hh,ll,mm,oo,pp,tt,ccc,ddd,ffff,gggg
Notes: formerly 3000SS prior to S/N 2EK0320

Type: DCDA **Manufacturer:** Ames **Model:** 3000SSWM1
Size: 3 **Orientation:** H **Meters:**
(M),A,B,C,D,E,F,G,H,I,J,K,L,N,O,P,Q
Manual: 8 **0.25% Pb:** No **Spare Parts Only:** No
Approved: 11-Jul-1991 **Renewed:** 11-Jul-2015 **Bypass:** Watts 007M1QT 3/4" (H)
Shutoffs: (uu),ee,ff,gg,hh,ll,mm,oo,pp,tt,ccc,ddd,ffff,gggg
Notes: formerly 3000SS prior to S/N 2EK0320

Type: DCDA **Manufacturer:** Ames **Model:** 3000SSWM1
Size: 4 **Orientation:** H **Meters:**
(M),A,B,C,D,E,F,G,H,I,J,K,L,N,O,P,Q
Manual: 8 **0.25% Pb:** No **Spare Parts Only:** No
Approved: 11-Jul-1991 **Renewed:** 11-Jul-2015 **Bypass:** Watts 007M1QT 3/4" (H)
Shutoffs: (uu),ee,ff,gg,hh,ll,mm,oo,pp,tt,ccc,ddd,ffff,gggg
Notes: formerly 3000SS prior to S/N 2EK0320

Type: DCDA **Manufacturer:** Ames **Model:** Colt 300aBF
Size: 2 1/2 **Orientation:** H **Meters:** (N),G,H,I,J,K,L,M,O,P,Q
Manual: 9 **0.25% Pb:** No **Spare Parts Only:** No
Approved: 06-Nov-2003 **Renewed:** 06-Nov-2012 **Bypass:** Ames 2000BM3 3/4" (H)
Shutoffs: (yyy)

Type: DCDA **Manufacturer:** Ames **Model:** Colt 300aBF
Size: 2 1/2 **Orientation:** VU **Meters:** (N),G,H,I,J,K,L,M,O,P,Q
Manual: 9 **0.25% Pb:** No **Spare Parts Only:** No
Approved: 06-Nov-2003 **Renewed:** 06-Nov-2012 **Bypass:** Ames 2000BM3 3/4" (VU)
Shutoffs: (yyy)

Type: DCDA **Manufacturer:** Ames **Model:** Colt 300aBF
Size: 3 **Orientation:** H **Meters:** (N),G,H,I,J,K,L,M,O,P,Q
Manual: 9 **0.25% Pb:** No **Spare Parts Only:** No
Approved: 06-Nov-2003 **Renewed:** 06-Nov-2012 **Bypass:** Ames 2000BM3 3/4" (H)
Shutoffs: (yyy)

Type: DCDA **Manufacturer:** Ames **Model:** Colt 300aBF
Size: 3 **Orientation:** VU **Meters:** (N),G,H,I,J,K,L,M,O,P,Q
Manual: 9 **0.25% Pb:** No **Spare Parts Only:** No
Approved: 06-Nov-2003 **Renewed:** 06-Nov-2012 **Bypass:** Ames 2000BM3 3/4" (VU)
Shutoffs: (yyy)

Type: DCDA **Manufacturer:** Ames **Model:** Colt 300aBF
Size: 4 **Orientation:** H **Meters:** (N),G,H,I,J,K,L,M,O,P,Q
Manual: 9 **0.25% Pb:** No **Spare Parts Only:** No
Approved: 06-Nov-2003 **Renewed:** 06-Nov-2012 **Bypass:** Ames 2000BM3 3/4" (H)
Shutoffs: (yyy)

Type: DCDA **Manufacturer:** Ames **Model:** Colt 300aBF
Size: 4 **Orientation:** VU **Meters:** (N),G,H,I,J,K,L,M,O,P,Q
Manual: 9 **0.25% Pb:** No **Spare Parts Only:** No
Approved: 06-Nov-2003 **Renewed:** 06-Nov-2012 **Bypass:** Ames 2000BM3 3/4" (VU)
Shutoffs: (yyy)

Type: DCDA **Manufacturer:** Ames **Model:** Colt 300aBF
Size: 6 **Orientation:** H **Meters:** (N),G,H,I,J,K,L,M,N,O,P,Q
Manual: 9 **0.25% Pb:** No **Spare Parts Only:** No
Approved: 29-Sep-2004 **Renewed:** 29-Sep-2013 **Bypass:** Ames 2000BM3 3/4" (H)
Shutoffs: (yyy)

Type: DCDA **Manufacturer:** Ames **Model:** Colt 300aBF
Size: 6 **Orientation:** VU **Meters:** (N), G, H, I, J, K, L, M, N, O, P, Q
Manual: 9 **0.25% Pb:** No **Spare Parts Only:** No
Approved: 18-Jan-2005 **Renewed:** 18-Jan-2014 **Bypass:** Ames 2000BM3 3/4" (VU)
Shutoffs: (yyy)

Type: DCDA **Manufacturer:** Ames **Model:** Colt 300aGV
Size: 2 1/2 **Orientation:** H **Meters:** (N),G,H,I,J,K,L,M,O,P,Q
Manual: 9 **0.25% Pb:** No **Spare Parts Only:** No
Approved: 06-Oct-2003 **Renewed:** 06-Oct-2015 **Bypass:** Ames 2000BM3 3/4" (H)
Shutoffs: (zzz)

Type: DCDA **Manufacturer:** Ames **Model:** Colt 300aGV
Size: 2 1/2 **Orientation:** VU **Meters:** (N),G,H,I,J,K,L,M,O,P,Q
Manual: 9 **0.25% Pb:** No **Spare Parts Only:** No
Approved: 06-Oct-2003 **Renewed:** 06-Oct-2015 **Bypass:** Ames 2000BM3 3/4" (VU)
Shutoffs: (zzz)

Type: DCDA **Manufacturer:** Ames **Model:** Colt 300aGV
Size: 3 **Orientation:** H **Meters:** (N),G,H,I,J,K,L,M,O,P,Q
Manual: 9 **0.25% Pb:** No **Spare Parts Only:** No
Approved: 06-Oct-2003 **Renewed:** 06-Oct-2015 **Bypass:** Ames 2000BM3 3/4" (H)
Shutoffs: (zzz)

Type: DCDA **Manufacturer:** Ames **Model:** Colt 300aGV
Size: 3 **Orientation:** VU **Meters:** (N),G,H,I,J,K,L,M,O,P,Q
Manual: 9 **0.25% Pb:** No **Spare Parts Only:** No
Approved: 06-Oct-2003 **Renewed:** 06-Oct-2015 **Bypass:** Ames 2000BM3 3/4" (VU)
Shutoffs: (zzz)

Type: DCDA **Manufacturer:** Ames **Model:** Colt 300aGV
Size: 4 **Orientation:** H **Meters:** (N),G,H,I,J,K,L,M,O,P,Q
Manual: 9 **0.25% Pb:** No **Spare Parts Only:** No
Approved: 06-Oct-2003 **Renewed:** 06-Oct-2015 **Bypass:** Ames 2000BM3 3/4" (H)
Shutoffs: (zzz)

Type: DCDA
Size: 4
Manual: 9
Approved: 06-Oct-2003
Shutoffs: (zzz)

Manufacturer: Ames
Orientation: VU
0.25% Pb: No
Renewed: 06-Oct-2015

Model: Colt 300aGV
Meters: (N),G,H,I,J,K,L,M,O,P,Q
Spare Parts Only: No
Bypass: Ames 2000BM3 3/4" (VU)

Type: DCDA
Size: 6
Manual: 9
Approved: 03-Nov-2004
Shutoffs: (zzz)

Manufacturer: Ames
Orientation: H
0.25% Pb: No
Renewed: 03-Nov-2013

Model: Colt 300aGV
Meters: (N),G,H,I,J,K,L,M,N,O,P,Q
Spare Parts Only: No
Bypass: Ames 2000BM3 3/4" (H)

Type: DCDA
Size: 6
Manual: 9
Approved: 18-Jan-2005
Shutoffs: (zzz)

Manufacturer: Ames
Orientation: VU
0.25% Pb: No
Renewed: 18-Jan-2014

Model: Colt 300aGV
Meters: (N), G, H, I J, K L, M, N, O, P, Q
Spare Parts Only: No
Bypass: Ames 2000BM3 3/4" (VU)

Type: DCDA
Size: 2 1/2
Manual: 9
Approved: 04-Oct-2005
Shutoffs: (yyy)

Manufacturer: Ames
Orientation: H
0.25% Pb: No
Renewed: 04-Oct-2014

Model: Colt 300BF
Meters: (N),G,H,I,J,K,L,M,O,P,Q
Spare Parts Only: No
Bypass: Ames 2000BM3 3/4" (H)

Type: DCDA
Size: 2 1/2
Manual: 9
Approved: 04-Oct-2005
Shutoffs: (yyy)

Manufacturer: Ames
Orientation: VU
0.25% Pb: No
Renewed: 04-Oct-2014

Model: Colt 300BF
Meters: (N),G,H,I,J,K,L,M,O,P,Q
Spare Parts Only: No
Bypass: Ames 2000BM3 3/4" (VU)

Type: DCDA
Size: 3
Manual: 9
Approved: 04-Oct-2005
Shutoffs: (yyy)

Manufacturer: Ames
Orientation: H
0.25% Pb: No
Renewed: 04-Oct-2014

Model: Colt 300BF
Meters: (N),G,H,I,J,K,L,M,O,P,Q
Spare Parts Only: No
Bypass: Ames 2000BM3 3/4" (H)

Type: DCDA **Manufacturer:** Ames **Model:** Colt 300BF
Size: 3 **Orientation:** VU **Meters:** (N),G,H,I,J,K,L,M,O,P,Q
Manual: 9 **0.25% Pb:** No **Spare Parts Only:** No
Approved: 04-Oct-2005 **Renewed:** 04-Oct-2014 **Bypass:** Ames 2000BM3 3/4" (VU)
Shutoffs: (yyy)

Type: DCDA **Manufacturer:** Ames **Model:** Colt 300BF
Size: 4 **Orientation:** H **Meters:** (N),G,H,I,J,K,L,M,O,P,Q
Manual: 9 **0.25% Pb:** No **Spare Parts Only:** No
Approved: 04-Oct-2005 **Renewed:** 04-Oct-2014 **Bypass:** Ames 2000BM3 3/4" (H)
Shutoffs: (yyy)

Type: DCDA **Manufacturer:** Ames **Model:** Colt 300BF
Size: 4 **Orientation:** VU **Meters:** (N),G,H,I,J,K,L,M,O,P,Q
Manual: 9 **0.25% Pb:** No **Spare Parts Only:** No
Approved: 04-Oct-2005 **Renewed:** 04-Oct-2014 **Bypass:** Ames 2000BM3 3/4" (VU)
Shutoffs: (yyy)

Type: DCDA **Manufacturer:** Ames **Model:** Colt 300BF
Size: 6 **Orientation:** H **Meters:** (N),G,H,I,J,K,L,M,O,P,Q
Manual: 9 **0.25% Pb:** No **Spare Parts Only:** No
Approved: 02-Mar-2007 **Renewed:** 02-Mar-2013 **Bypass:** Ames 2000BM3 3/4"(H)
Shutoffs: (yyy)

Type: DCDA **Manufacturer:** Ames **Model:** Colt 300BF
Size: 6 **Orientation:** VU **Meters:** (N),G,H,I,J,K,L,M,O,P,Q
Manual: 9 **0.25% Pb:** No **Spare Parts Only:** No
Approved: 02-Mar-2007 **Renewed:** 02-Mar-2013 **Bypass:** Ames 2000BM3 3/4"(V)
Shutoffs: (yyy)

Type: DCDA **Manufacturer:** Ames **Model:** Colt 300BF
Size: 8 **Orientation:** H **Meters:** (N), G, H, I J, K L, M, N, O, P, Q
Manual: 9 **0.25% Pb:** No **Spare Parts Only:** No
Approved: 09-Mar-2007 **Renewed:** 09-Mar-2013 **Bypass:** Ames 2000BM3 3/4" (H & VU)
Shutoffs: (yyy)

Type: DCDA	Manufacturer: Ames	Model: Colt 300BF
Size: 8	Orientation: VU	Meters: (N), G, H, I J, K L, M, N, O, P, Q
Manual: 9	0.25% Pb: No	Spare Parts Only: No
Approved: 09-Mar-2007	Renewed: 09-Mar-2013	Bypass: Ames 2000BM3 3/4" (H & VU)
Shutoffs: (yyy)		

Type: DCDA	Manufacturer: Ames	Model: Colt 300BF
Size: 10	Orientation: H	Meters: (N),G,H,I,J,K,L,M,O,P,Q
Manual: 9	0.25% Pb: No	Spare Parts Only: No
Approved: 17-Sep-2009	Renewed: 17-Sep-2015	Bypass: Watts 007M3QT 3/4" (H), Ames 2000 BM3 (H)
Shutoffs: (yyy)		

Type: DCDA	Manufacturer: Ames	Model: Colt 300BF
Size: 10	Orientation: VU	Meters: (N),G,H,I,J,K,L,M,O,P,Q
Manual: 9	0.25% Pb: No	Spare Parts Only: No
Approved: 17-Sep-2009	Renewed: 17-Sep-2015	Bypass: Watts 007M3QT 3/4" (V), Ames 2000 BM3 (V)
Shutoffs: (yyy)		

Type: DCDA	Manufacturer: Ames	Model: Colt 300GV
Size: 2 1/2	Orientation: H	Meters: (N),G,H,I,J,K,L,M,O,P,Q
Manual: 9	0.25% Pb: No	Spare Parts Only: No
Approved: 04-Oct-2005	Renewed: 04-Oct-2014	Bypass: Ames 2000BM3 3/4" (H)
Shutoffs: (zzz)		

Type: DCDA	Manufacturer: Ames	Model: Colt 300GV
Size: 2 1/2	Orientation: VU	Meters: (N),G,H,I,J,K,L,M,O,P,Q
Manual: 9	0.25% Pb: No	Spare Parts Only: No
Approved: 04-Oct-2005	Renewed: 04-Oct-2014	Bypass: Ames 2000BM3 3/4" (VU)
Shutoffs: (zzz)		

Type: DCDA	Manufacturer: Ames	Model: Colt 300GV
Size: 3	Orientation: H	Meters: (N),G,H,I,J,K,L,M,O,P,Q
Manual: 9	0.25% Pb: No	Spare Parts Only: No
Approved: 04-Oct-2005	Renewed: 04-Oct-2014	Bypass: Ames 2000BM3 3/4" (H)
Shutoffs: (zzz)		

Type: DCDA **Manufacturer:** Ames **Model:** Colt 300GV
Size: 3 **Orientation:** VU **Meters:** (N),G,H,I,J,K,L,M,O,P,Q
Manual: 9 **0.25% Pb:** No **Spare Parts Only:** No
Approved: 04-Oct-2005 **Renewed:** 04-Oct-2014 **Bypass:** Ames 2000BM3 3/4" (VU)
Shutoffs: (zzz)

Type: DCDA **Manufacturer:** Ames **Model:** Colt 300GV
Size: 4 **Orientation:** H **Meters:** (N),G,H,I,J,K,L,M,O,P,Q
Manual: 9 **0.25% Pb:** No **Spare Parts Only:** No
Approved: 04-Oct-2005 **Renewed:** 04-Oct-2014 **Bypass:** Ames 2000BM3 3/4" (H)
Shutoffs: (zzz)

Type: DCDA **Manufacturer:** Ames **Model:** Colt 300GV
Size: 4 **Orientation:** VU **Meters:** (N),G,H,I,J,K,L,M,O,P,Q
Manual: 9 **0.25% Pb:** No **Spare Parts Only:** No
Approved: 04-Oct-2005 **Renewed:** 04-Oct-2014 **Bypass:** Ames 2000BM3 3/4" (VU)
Shutoffs: (zzz)

Type: DCDA **Manufacturer:** Ames **Model:** Colt 300GV
Size: 6 **Orientation:** H **Meters:** (N),G,H,I,J,K,L,M,O,P,Q
Manual: 9 **0.25% Pb:** No **Spare Parts Only:** No
Approved: 02-Mar-2007 **Renewed:** 02-Mar-2013 **Bypass:** Ames 2000BM3 3/4"(H)
Shutoffs: (zzz)

Type: DCDA **Manufacturer:** Ames **Model:** Colt 300GV
Size: 6 **Orientation:** VU **Meters:** (N),G,H,I,J,K,L,M,O,P,Q
Manual: 9 **0.25% Pb:** No **Spare Parts Only:** No
Approved: 02-Mar-2007 **Renewed:** 02-Mar-2013 **Bypass:** Ames 2000BM3 3/4"(V)
Shutoffs: (zzz)

Type: DCDA **Manufacturer:** Ames **Model:** Colt 300GV
Size: 8 **Orientation:** H **Meters:** (N), G, H, I J, K L, M, N, O, P, Q
Manual: 9 **0.25% Pb:** No **Spare Parts Only:** No
Approved: 09-Mar-2007 **Renewed:** 09-Mar-2013 **Bypass:** Ames 2000BM3 3/4" (H & VU)
Shutoffs: (zzz)

Type: DCDA **Manufacturer:** Ames **Model:** Colt 300GV
Size: 8 **Orientation:** VU **Meters:** (N), G, H, I, J, K, L, M, N, O, P, Q
Manual: 9 **0.25% Pb:** No **Spare Parts Only:** No
Approved: 09-Mar-2007 **Renewed:** 09-Mar-2013 **Bypass:** Ames 2000BM3 3/4" (H & VU)
Shutoffs: (zzz)

Type: DCDA **Manufacturer:** Ames **Model:** Colt 300GV
Size: 10 **Orientation:** H **Meters:** (N),G,H,I,J,K,L,M,O,P,Q
Manual: 9 **0.25% Pb:** No **Spare Parts Only:** No
Approved: 17-Sep-2009 **Renewed:** 17-Sep-2015 **Bypass:** Watts 007M3QT 3/4" (H),
Ames 2000 BM3 (H)
Shutoffs: (zzz)

Type: DCDA **Manufacturer:** Ames **Model:** Colt 300GV
Size: 10 **Orientation:** VU **Meters:** (N),G,H,I,J,K,L,M,O,P,Q
Manual: 9 **0.25% Pb:** No **Spare Parts Only:** No
Approved: 17-Sep-2009 **Renewed:** 17-Sep-2015 **Bypass:** Watts 007M3QT 3/4" (V),
Ames 2000 BM3 (V)
Shutoffs: (zzz)

Type: DCDA **Manufacturer:** Ames **Model:** Colt 300NBF
Size: 2 1/2 **Orientation:** VUVD **Meters:** (N),G,H,I,J,K,L,M,N,O,P,Q
Manual: 9 **0.25% Pb:** No **Spare Parts Only:** No
Approved: 07-Apr-2009 **Renewed:** 07-Apr-2015 **Bypass:** Ames 2000BM3 3/4" (H)
Shutoffs: (yyy)

Type: DCDA **Manufacturer:** Ames **Model:** Colt 300NBF
Size: 3 **Orientation:** VUVD **Meters:** (N),G,H,I,J,K,L,M,N,O,P,Q
Manual: 9 **0.25% Pb:** No **Spare Parts Only:** No
Approved: 07-Apr-2009 **Renewed:** 07-Apr-2015 **Bypass:** Ames 2000BM3 3/4" (H)
Shutoffs: (yyy)

Type: DCDA **Manufacturer:** Ames **Model:** Colt 300NBF
Size: 4 **Orientation:** VUVD **Meters:** (N),G,H,I,J,K,L,M,N,O,P,Q
Manual: 9 **0.25% Pb:** No **Spare Parts Only:** No
Approved: 07-Apr-2009 **Renewed:** 07-Apr-2015 **Bypass:** Ames 2000BM3 3/4" (H)
Shutoffs: (yyy)

Type: DCDA
Size: 6
Manual: 9
Approved: 07-Apr-2009
Shutoffs: (yyy)

Manufacturer: Ames
Orientation: VUVD
0.25% Pb: No
Renewed: 07-Apr-2015

Model: Colt 300NBF
Meters: (N),G,H,I,J,K,L,M,N,O,P,Q
Spare Parts Only: No
Bypass: Ames 2000BM3 3/4" (H)

Type: DCDA
Size: 8
Manual: 9
Approved: 03-Jan-2013
Shutoffs: (yyy)

Manufacturer: Ames
Orientation: VUVD
0.25% Pb: No
Renewed:

Model: Colt 300NBF
Meters: (N),G,H,I,J,K,L,M,N,O,P,Q
Spare Parts Only: No
Bypass: Ames 2000BM3 3/4" (H)

Type: DCDA
Size: 10
Manual: 9
Approved: 28-May-2013
Shutoffs: (yyy)

Manufacturer: Ames
Orientation: VUVD
0.25% Pb: No
Renewed:

Model: Colt 300NBF
Meters: (N), H,I,J,K,L,M,N,O,P,Q
Spare Parts Only: No
Bypass: Ames 2000BM3 3/4" (H),
Watts 007M3QT 3/4" (H)

Type: DCDA
Size: 2 1/2
Manual: 9
Approved: 07-Apr-2009
Shutoffs: (zzz)

Manufacturer: Ames
Orientation: VUVD
0.25% Pb: No
Renewed: 07-Apr-2015

Model: Colt 300NGV
Meters: (N),G,H,I,J,K,L,M,N,O,P,Q
Spare Parts Only: No
Bypass: Ames 2000BM3 3/4" (H)

Type: DCDA
Size: 3
Manual: 9
Approved: 07-Apr-2009
Shutoffs: (zzz)

Manufacturer: Ames
Orientation: VUVD
0.25% Pb: No
Renewed: 07-Apr-2015

Model: Colt 300NGV
Meters: (N),G,H,I,J,K,L,M,N,O,P,Q
Spare Parts Only: No
Bypass: Ames 2000BM3 3/4" (H)

Type: DCDA
Size: 4
Manual: 9
Approved: 07-Apr-2009
Shutoffs: (zzz)

Manufacturer: Ames
Orientation: VUVD
0.25% Pb: No
Renewed: 07-Apr-2015

Model: Colt 300NGV
Meters: (N),G,H,I,J,K,L,M,N,O,P,Q
Spare Parts Only: No
Bypass: Ames 2000BM3 3/4" (H)

Type: DCDA
Size: 6
Manual: 9
Approved: 07-Apr-2009
Shutoffs: (zzz)

Manufacturer: Ames
Orientation: VUVD
0.25% Pb: No
Renewed: 07-Apr-2015

Model: Colt 300NGV
Meters: (N),G,H,I,J,K,L,M,N,O,P,Q
Spare Parts Only: No
Bypass: Ames 2000BM3 3/4" (H)

Type: DCDA
Size: 8
Manual: 9
Approved: 03-Jan-2013
Shutoffs: (zzz)

Manufacturer: Ames
Orientation: VUVD
0.25% Pb: No
Renewed:

Model: Colt 300NGV
Meters: (N),G,H,I,J,K,L,M,N,O,P,Q
Spare Parts Only: No
Bypass: Ames 2000BM3 3/4" (H)

Type: DCDA
Size: 10
Manual: 9
Approved: 28-May-2013
Shutoffs: (zzz)

Manufacturer: Ames
Orientation: VUVD
0.25% Pb: No
Renewed:

Model: Colt 300NGV
Meters: (N), H,I,J,K,L,M,N,O,P,Q
Spare Parts Only: No
Bypass: Ames 2000BM3 3/4" (H),
Watts 007M3QT 3/4" (H)

Type: DCDA
Size: 4
Manual:
Approved:
Notes: model designation changed to 3000DCDA

Manufacturer: Ames
Orientation:
0.25% Pb: No
Renewed:

Model: DCDA
Meters:
Spare Parts Only: No
Bypass:

Type: DCDA
Size: 4
Manual:
Approved:
Notes: model designation changed to 3000GDCDA

Manufacturer: Ames
Orientation:
0.25% Pb: No
Renewed:

Model: DCDA
Meters:
Spare Parts Only: No
Bypass:

Type: DCDA
Size: 8
Manual:
Approved:
Notes: model designation changed to 3000DCDA

Manufacturer: Ames
Orientation:
0.25% Pb: No
Renewed:

Model: DCDA
Meters:
Spare Parts Only: No
Bypass:

Type: DCDA	Manufacturer: Ames	Model: DCDA
Size: 8	Orientation:	Meters:
Manual:	0.25% Pb: No	Spare Parts Only: No
Approved:	Renewed:	Bypass:

Notes: model designation changed to 3000GDCDA

Type: DCDA	Manufacturer: Ames	Model: DCDA
Size: 10	Orientation:	Meters:
Manual:	0.25% Pb: No	Spare Parts Only: No
Approved:	Renewed:	Bypass:

Notes: model designation changed to 3000DCDC

Type: DCDA	Manufacturer: Ames	Model: DCDA-I
Size: 6	Orientation:	Meters:
Manual:	0.25% Pb: No	Spare Parts Only: No
Approved:	Renewed:	Bypass:

Notes: model designation changed to 3000DCDA

Type: DCDA	Manufacturer: Ames	Model: DCDA-I
Size: 6	Orientation:	Meters:
Manual:	0.25% Pb: No	Spare Parts Only: No
Approved:	Renewed:	Bypass:

Notes: model designation changed to 3000GDCDA

Type: DCDA	Manufacturer: Ames	Model: DCDC
Size: 4	Orientation: H	Meters: (K),A,B,C,D,E,F,G,H,I,J,L,M,N,O,P,Q
Manual: 6	0.25% Pb: No	Spare Parts Only: Yes
Approved: 14-Jun-1985	Renewed: 14-Jun-2015	Bypass: Watts 709QT 3/4" (H)

Shutoffs: ee,ff,gg,hh,oo,pp,ccc,ddd,ffff,gggg

Type: DCDA	Manufacturer: Ames	Model: DCDC
Size: 6	Orientation: H	Meters: (K),A,B,C,D,E,F,G,H,I,J,L,M,N,O,P,Q
Manual: 6	0.25% Pb: No	Spare Parts Only: Yes
Approved: 14-Jun-1985	Renewed: 14-Jun-2015	Bypass: Watts 709QT 3/4" (H)

Shutoffs: ee,ff,gg,hh,oo,pp,ccc,ddd,ffff,gggg

Type: DCDA	Manufacturer: Ames	Model: DCDC
Size: 8	Orientation: H	Meters: (K),A,B,C,D,E,F,G,H,I,J,L,M,N,O,P,Q
Manual: 7	0.25% Pb: No	Spare Parts Only: Yes
Approved: 04-Aug-1987	Renewed: 04-Aug-2014	Bypass: Watts 709QT 3/4" (H)
Shutoffs: ee,ff,gg,hh,oo,pp,ccc,ddd,ffff,gggg		

Type: DCDA	Manufacturer: Ames	Model: DCDC
Size: 10	Orientation:	Meters:
Manual:	0.25% Pb: No	Spare Parts Only: No
Approved:	Renewed:	Bypass:
Notes: model designation changed to 3000GDCDC		

Type: DCDA	Manufacturer: Ames	Model: LFColt 300BF
Size: 2 1/2	Orientation: H	Meters: (O)
Manual: 9	0.25% Pb: Yes	Spare Parts Only: No
Approved: 08-Jan-2014	Renewed:	Bypass: Watts LF007M3QT 3/4" (H), Ames LF2000BM3 3/4" (H)
Shutoffs: (yyy)		
Notes: Lead free compliant version identified with NSF61 mark on meter		

Type: DCDA	Manufacturer: Ames	Model: LFColt 300BF
Size: 2 1/2	Orientation: VU	Meters: (O)
Manual: 9	0.25% Pb: Yes	Spare Parts Only: No
Approved: 08-Jan-2014	Renewed:	Bypass: Watts LF007M3QT 3/4" (VU), Ames LF2000BM3 3/4" (VU)
Shutoffs: (yyy)		
Notes: Lead free compliant version identified with NSF61 mark on meter		

Type: DCDA	Manufacturer: Ames	Model: LFColt 300BF
Size: 3	Orientation: H	Meters: (O)
Manual: 9	0.25% Pb: Yes	Spare Parts Only: No
Approved: 08-Jan-2014	Renewed:	Bypass: Watts LF007M3QT 3/4" (H), Ames LF2000BM3 3/4" (H)
Shutoffs: (yyy)		
Notes: Lead free compliant version identified with NSF61 mark on meter		

Type: DCDA **Manufacturer:** Ames **Model:** LFColt 300BF
Size: 8 **Orientation:** H **Meters:** (O)
Manual: 9 **0.25% Pb:** Yes **Spare Parts Only:** No
Approved: 08-Jan-2014 **Renewed:** **Bypass:** Watts LF007M3QT 3/4" (H),
Ames LF2000BM3 3/4" (H)
Shutoffs: (yyy)
Notes: Lead free compliant version identified with NSF61 mark on meter

Type: DCDA **Manufacturer:** Ames **Model:** LFColt 300BF
Size: 8 **Orientation:** VU **Meters:** (O)
Manual: 9 **0.25% Pb:** Yes **Spare Parts Only:** No
Approved: 08-Jan-2014 **Renewed:** **Bypass:** Watts LF007M3QT 3/4" (VU),
Ames LF2000BM3 3/4" (VU)
Shutoffs: (yyy)
Notes: Lead free compliant version identified with NSF61 mark on meter

Type: DCDA **Manufacturer:** Ames **Model:** LFColt 300BF
Size: 10 **Orientation:** H **Meters:** (O)
Manual: 9 **0.25% Pb:** Yes **Spare Parts Only:** No
Approved: 08-Jan-2014 **Renewed:** **Bypass:** Watts LF007M3QT 3/4" (H),
Ames LF2000BM3 3/4" (H)
Shutoffs: (yyy)
Notes: Lead free compliant version identified with NSF61 mark on meter

Type: DCDA **Manufacturer:** Ames **Model:** LFColt 300BF
Size: 10 **Orientation:** VU **Meters:** (O)
Manual: 9 **0.25% Pb:** Yes **Spare Parts Only:** No
Approved: 08-Jan-2014 **Renewed:** **Bypass:** Watts LF007M3QT 3/4" (VU),
Ames LF2000BM3 3/4" (VU)
Shutoffs: (yyy)
Notes: Lead free compliant version identified with NSF61 mark on meter

Type: DCDA **Manufacturer:** Ames **Model:** LFColt 300GV
Size: 2 1/2 **Orientation:** H **Meters:** (O)
Manual: 9 **0.25% Pb:** Yes **Spare Parts Only:** No
Approved: 08-Jan-2014 **Renewed:** **Bypass:** Watts LF007M3QT 3/4" (H),
Ames LF2000BM3 3/4" (H)
Shutoffs: (zzz)
Notes: Lead free compliant version identified with NSF61 mark on meter

Type: DCDA	Manufacturer: Ames	Model: LFColt 300GV
Size: 2 1/2	Orientation: VU	Meters: (O)
Manual: 9	0.25% Pb: Yes	Spare Parts Only: No
Approved: 08-Jan-2014	Renewed:	Bypass: Watts LF007M3QT 3/4" (VU), Ames LF2000BM3 3/4" (VU)
Shutoffs: (zzz)		
Notes: Lead free compliant version identified with NSF61 mark on meter		

Type: DCDA	Manufacturer: Ames	Model: LFColt 300GV
Size: 3	Orientation: H	Meters: (O)
Manual: 9	0.25% Pb: Yes	Spare Parts Only: No
Approved: 08-Jan-2014	Renewed:	Bypass: Watts LF007M3QT 3/4" (H), Ames LF2000BM3 3/4" (H)
Shutoffs: (zzz)		
Notes: Lead free compliant version identified with NSF61 mark on meter		

Type: DCDA	Manufacturer: Ames	Model: LFColt 300GV
Size: 3	Orientation: VU	Meters: (O)
Manual: 9	0.25% Pb: Yes	Spare Parts Only: No
Approved: 08-Jan-2014	Renewed:	Bypass: Watts LF007M3QT 3/4" (VU), Ames LF2000BM3 3/4" (VU)
Shutoffs: (zzz)		
Notes: Lead free compliant version identified with NSF61 mark on meter		

Type: DCDA	Manufacturer: Ames	Model: LFColt 300GV
Size: 4	Orientation: H	Meters: (O)
Manual: 9	0.25% Pb: Yes	Spare Parts Only: No
Approved: 08-Jan-2014	Renewed:	Bypass: Watts LF007M3QT 3/4" (H), Ames LF2000BM3 3/4" (H)
Shutoffs: (zzz)		
Notes: Lead free compliant version identified with NSF61 mark on meter		

Type: DCDA	Manufacturer: Ames	Model: LFColt 300GV
Size: 4	Orientation: VU	Meters: (O)
Manual: 9	0.25% Pb: Yes	Spare Parts Only: No
Approved: 08-Jan-2014	Renewed:	Bypass: Watts LF007M3QT 3/4" (VU), Ames LF2000BM3 3/4" (VU)
Shutoffs: (zzz)		
Notes: Lead free compliant version identified with NSF61 mark on meter		

Type: DCDA **Manufacturer:** Ames **Model:** LFColt 300GV
Size: 6 **Orientation:** H **Meters:** (O)
Manual: 9 **0.25% Pb:** Yes **Spare Parts Only:** No
Approved: 08-Jan-2014 **Renewed:** **Bypass:** Watts LF007M3QT 3/4" (H),
Ames LF2000BM3 3/4" (H)
Shutoffs: (zzz)
Notes: Lead free compliant version identified with NSF61 mark on meter

Type: DCDA **Manufacturer:** Ames **Model:** LFColt 300GV
Size: 6 **Orientation:** VU **Meters:** (O)
Manual: 9 **0.25% Pb:** Yes **Spare Parts Only:** No
Approved: 08-Jan-2014 **Renewed:** **Bypass:** Watts LF007M3QT 3/4" (VU),
Ames LF2000BM3 3/4" (VU)
Shutoffs: (zzz)
Notes: Lead free compliant version identified with NSF61 mark on meter

Type: DCDA **Manufacturer:** Ames **Model:** LFColt 300GV
Size: 8 **Orientation:** H **Meters:** (O)
Manual: 9 **0.25% Pb:** Yes **Spare Parts Only:** No
Approved: 08-Jan-2014 **Renewed:** **Bypass:** Watts LF007M3QT 3/4" (H),
Ames LF2000BM3 3/4" (H)
Shutoffs: (zzz)
Notes: Lead free compliant version identified with NSF61 mark on meter

Type: DCDA **Manufacturer:** Ames **Model:** LFColt 300GV
Size: 8 **Orientation:** VU **Meters:** (O)
Manual: 9 **0.25% Pb:** Yes **Spare Parts Only:** No
Approved: 08-Jan-2014 **Renewed:** **Bypass:** Watts LF007M3QT 3/4" (VU),
Ames LF2000BM3 3/4" (VU)
Shutoffs: (zzz)
Notes: Lead free compliant version identified with NSF61 mark on meter

Type: DCDA **Manufacturer:** Ames **Model:** LFColt 300GV
Size: 10 **Orientation:** H **Meters:** (O)
Manual: 9 **0.25% Pb:** Yes **Spare Parts Only:** No
Approved: 08-Jan-2014 **Renewed:** **Bypass:** Watts LF007M3QT 3/4" (H),
Ames LF2000BM3 3/4" (H)
Shutoffs: (zzz)
Notes: Lead free compliant version identified with NSF61 mark on meter

Type: DCDA **Manufacturer:** Ames **Model:** LFColt 300GV
Size: 10 **Orientation:** VU **Meters:** (O)
Manual: 9 **0.25% Pb:** Yes **Spare Parts Only:** No
Approved: 08-Jan-2014 **Renewed:** **Bypass:** Watts LF007M3QT 3/4" (VU),
Ames LF2000BM3 3/4" (VU)
Shutoffs: (zzz)
Notes: Lead free compliant version identified with NSF61 mark on meter

Type: DCDA **Manufacturer:** Ames **Model:** LFColt 300NBF
Size: 2 1/2 **Orientation:** VUVD **Meters:** (O)
Manual: 9 **0.25% Pb:** Yes **Spare Parts Only:** No
Approved: 08-Jan-2014 **Renewed:** **Bypass:** Watts LF007M3QT 3/4" (H),
Ames LF2000BM3 3/4" (H)
Shutoffs: (yyy)
Notes: Lead free compliant version identified with NSF61 mark on meter

Type: DCDA **Manufacturer:** Ames **Model:** LFColt 300NBF
Size: 3 **Orientation:** VUVD **Meters:** (O)
Manual: 9 **0.25% Pb:** Yes **Spare Parts Only:** No
Approved: 08-Jan-2014 **Renewed:** **Bypass:** Watts LF007M3QT 3/4" (H),
Ames LF2000BM3 3/4" (H)
Shutoffs: (yyy)
Notes: Lead free compliant version identified with NSF61 mark on meter

Type: DCDA **Manufacturer:** Ames **Model:** LFColt 300NBF
Size: 4 **Orientation:** VUVD **Meters:** (O)
Manual: 9 **0.25% Pb:** Yes **Spare Parts Only:** No
Approved: 08-Jan-2014 **Renewed:** **Bypass:** Watts LF007M3QT 3/4" (H),
Ames LF2000BM3 3/4" (H)
Shutoffs: (yyy)
Notes: Lead free compliant version identified with NSF61 mark on meter

Type: DCDA **Manufacturer:** Ames **Model:** LFColt 300NBF
Size: 6 **Orientation:** VUVD **Meters:** (O)
Manual: 9 **0.25% Pb:** Yes **Spare Parts Only:** No
Approved: 08-Jan-2014 **Renewed:** **Bypass:** Watts LF007M3QT 3/4" (H),
Ames LF2000BM3 3/4" (H)
Shutoffs: (yyy)
Notes: Lead free compliant version identified with NSF61 mark on meter

Type: DCDA **Manufacturer:** Ames **Model:** LFColt 300NBF
Size: 8 **Orientation:** VUVD **Meters:** (O)
Manual: 9 **0.25% Pb:** Yes **Spare Parts Only:** No
Approved: 08-Jan-2014 **Renewed:** **Bypass:** Watts LF007M3QT 3/4" (H),
Ames LF2000BM3 3/4" (H)
Shutoffs: (yyy)
Notes: Lead free compliant version identified with NSF61 mark on meter

Type: DCDA **Manufacturer:** Ames **Model:** LFColt 300NBF
Size: 10 **Orientation:** VUVD **Meters:** (O)
Manual: 9 **0.25% Pb:** Yes **Spare Parts Only:** No
Approved: 08-Jan-2014 **Renewed:** **Bypass:** Watts LF007M3QT 3/4" (H),
Ames LF2000BM3 3/4" (H)
Shutoffs: (yyy)
Notes: Lead free compliant version identified with NSF61 mark on meter

Type: DCDA **Manufacturer:** Ames **Model:** LFColt 300NGV
Size: 2 1/2 **Orientation:** VUVD **Meters:** (O)
Manual: 9 **0.25% Pb:** Yes **Spare Parts Only:** No
Approved: 08-Jan-2014 **Renewed:** **Bypass:** Watts LF007M3QT 3/4" (H),
Ames LF2000BM3 3/4" (H)
Shutoffs: (zzz)
Notes: Lead free compliant version identified with NSF61 mark on meter

Type: DCDA **Manufacturer:** Ames **Model:** LFColt 300NGV
Size: 3 **Orientation:** VUVD **Meters:** (O)
Manual: 9 **0.25% Pb:** Yes **Spare Parts Only:** No
Approved: 08-Jan-2014 **Renewed:** **Bypass:** Watts LF007M3QT 3/4" (H),
Ames LF2000BM3 3/4" (H)
Shutoffs: (zzz)
Notes: Lead free compliant version identified with NSF61 mark on meter

Type: DCDA **Manufacturer:** Ames **Model:** LFColt 300NGV
Size: 4 **Orientation:** VUVD **Meters:** (O)
Manual: 9 **0.25% Pb:** Yes **Spare Parts Only:** No
Approved: 08-Jan-2014 **Renewed:** **Bypass:** Watts LF007M3QT 3/4" (H),
Ames LF2000BM3 3/4" (H)
Shutoffs: (zzz)
Notes: Lead free compliant version identified with NSF61 mark on meter

Type: DCDA **Manufacturer:** Ames **Model:** LFColt 300NGV
Size: 6 **Orientation:** VUVD **Meters:** (O)
Manual: 9 **0.25% Pb:** Yes **Spare Parts Only:** No
Approved: 08-Jan-2014 **Renewed:** **Bypass:** Watts LF007M3QT 3/4" (H),
Ames LF2000BM3 3/4" (H)
Shutoffs: (zzz)
Notes: Lead free compliant version identified with NSF61 mark on meter

Type: DCDA **Manufacturer:** Ames **Model:** LFColt 300NGV
Size: 8 **Orientation:** VUVD **Meters:** (O)
Manual: 9 **0.25% Pb:** Yes **Spare Parts Only:** No
Approved: 08-Jan-2014 **Renewed:** **Bypass:** Watts LF007M3QT 3/4" (H),
Ames LF2000BM3 3/4" (H)
Shutoffs: (zzz)
Notes: Lead free compliant version identified with NSF61 mark on meter

Type: DCDA **Manufacturer:** Ames **Model:** LFColt 300NGV
Size: 10 **Orientation:** VUVD **Meters:** (O)
Manual: 9 **0.25% Pb:** Yes **Spare Parts Only:** No
Approved: 08-Jan-2014 **Renewed:** **Bypass:** Watts LF007M3QT 3/4" (H),
Ames LF2000BM3 3/4" (H)
Shutoffs: (zzz)
Notes: Lead free compliant version identified with NSF61 mark on meter

Type: DCDA **Manufacturer:** Ames **Model:** LFMaxim 300BF
Size: 2 1/2 **Orientation:** H **Meters:** (O)
Manual: 9 **0.25% Pb:** Yes **Spare Parts Only:** No
Approved: 08-Jan-2014 **Renewed:** **Bypass:** Watts LF007M3QT 3/4" (H),
Ames LF2000BM3 3/4" (H)
Shutoffs: (yyy)
Notes: Lead free compliant version identified with NSF61 mark on meter

Type: DCDA **Manufacturer:** Ames **Model:** LFMaxim 300BF
Size: 2 1/2 **Orientation:** VU **Meters:** (O)
Manual: 9 **0.25% Pb:** Yes **Spare Parts Only:** No
Approved: 08-Jan-2014 **Renewed:** **Bypass:** Watts LF007M3QT 3/4" (VU),
Ames LF2000BM3 3/4" (VU)
Shutoffs: (yyy)
Notes: Lead free compliant version identified with NSF61 mark on meter

Type: DCDA **Manufacturer:** Ames **Model:** LFMaxim 300BF
Size: 3 **Orientation:** H **Meters:** (O)
Manual: 9 **0.25% Pb:** Yes **Spare Parts Only:** No
Approved: 08-Jan-2014 **Renewed:** **Bypass:** Watts LF007M3QT 3/4" (H),
Ames LF2000BM3 3/4" (H)
Shutoffs: (yyy)
Notes: Lead free compliant version identified with NSF61 mark on meter

Type: DCDA **Manufacturer:** Ames **Model:** LFMaxim 300BF
Size: 3 **Orientation:** VU **Meters:** (O)
Manual: 9 **0.25% Pb:** Yes **Spare Parts Only:** No
Approved: 08-Jan-2014 **Renewed:** **Bypass:** Watts LF007M3QT 3/4" (VU),
Ames LF2000BM3 3/4" (VU)
Shutoffs: (yyy)
Notes: Lead free compliant version identified with NSF61 mark on meter

Type: DCDA **Manufacturer:** Ames **Model:** LFMaxim 300BF
Size: 4 **Orientation:** H **Meters:** (O)
Manual: 9 **0.25% Pb:** Yes **Spare Parts Only:** No
Approved: 08-Jan-2014 **Renewed:** **Bypass:** Watts LF007M3QT 3/4" (H),
Ames LF2000BM3 3/4" (H)
Shutoffs: (yyy)
Notes: Lead free compliant version identified with NSF61 mark on meter

Type: DCDA **Manufacturer:** Ames **Model:** LFMaxim 300BF
Size: 4 **Orientation:** VU **Meters:** (O)
Manual: 9 **0.25% Pb:** Yes **Spare Parts Only:** No
Approved: 08-Jan-2014 **Renewed:** **Bypass:** Watts LF007M3QT 3/4" (VU),
Ames LF2000BM3 3/4" (VU)
Shutoffs: (yyy)
Notes: Lead free compliant version identified with NSF61 mark on meter

Type: DCDA **Manufacturer:** Ames **Model:** LFMaxim 300BF
Size: 6 **Orientation:** H **Meters:** (O)
Manual: 9 **0.25% Pb:** Yes **Spare Parts Only:** No
Approved: 08-Jan-2014 **Renewed:** **Bypass:** Watts LF007M3QT 3/4" (H),
Ames LF2000BM3 3/4" (H)
Shutoffs: (yyy)
Notes: Lead free compliant version identified with NSF61 mark on meter

Type: DCDA **Manufacturer:** Ames **Model:** LFMaxim 300BF
Size: 6 **Orientation:** VU **Meters:** (O)
Manual: 9 **0.25% Pb:** Yes **Spare Parts Only:** No
Approved: 08-Jan-2014 **Renewed:** **Bypass:** Watts LF007M3QT 3/4" (VU),
Ames LF2000BM3 3/4" (VU)
Shutoffs: (yyy)
Notes: Lead free compliant version identified with NSF61 mark on meter

Type: DCDA **Manufacturer:** Ames **Model:** LFMaxim 300BF
Size: 8 **Orientation:** H **Meters:** (O)
Manual: 9 **0.25% Pb:** Yes **Spare Parts Only:** No
Approved: 08-Jan-2014 **Renewed:** **Bypass:** Watts LF007M3QT 3/4" (H),
Ames LF2000BM3 3/4" (H)
Shutoffs: (yyy)
Notes: Lead free compliant version identified with NSF61 mark on meter

Type: DCDA **Manufacturer:** Ames **Model:** LFMaxim 300BF
Size: 8 **Orientation:** VU **Meters:** (O)
Manual: 9 **0.25% Pb:** Yes **Spare Parts Only:** No
Approved: 08-Jan-2014 **Renewed:** **Bypass:** Watts LF007M3QT 3/4" (VU),
Ames LF2000BM3 3/4" (VU)
Shutoffs: (yyy)
Notes: Lead free compliant version identified with NSF61 mark on meter

Type: DCDA **Manufacturer:** Ames **Model:** LFMaxim 300BF
Size: 10 **Orientation:** H **Meters:** (O)
Manual: 9 **0.25% Pb:** Yes **Spare Parts Only:** No
Approved: 08-Jan-2014 **Renewed:** **Bypass:** Watts LF007M3QT 3/4" (H),
Ames LF2000BM3 3/4" (H)
Shutoffs: (yyy)
Notes: Lead free compliant version identified with NSF61 mark on meter

Type: DCDA **Manufacturer:** Ames **Model:** LFMaxim 300BF
Size: 10 **Orientation:** VU **Meters:** (O)
Manual: 9 **0.25% Pb:** Yes **Spare Parts Only:** No
Approved: 08-Jan-2014 **Renewed:** **Bypass:** Watts LF007M3QT 3/4" (VU),
Ames LF2000BM3 3/4" (VU)
Shutoffs: (yyy)
Notes: Lead free compliant version identified with NSF61 mark on meter

Type: DCDA	Manufacturer: Ames	Model: LFMaxim 300GV
Size: 2 1/2	Orientation: H	Meters: (O)
Manual: 9	0.25% Pb: Yes	Spare Parts Only: No
Approved: 08-Jan-2014	Renewed:	Bypass: Watts LF007M3QT 3/4" (H), Ames LF2000BM3 3/4" (H)
Shutoffs: (zzz)		
Notes: Lead free compliant version identified with NSF61 mark on meter		

Type: DCDA	Manufacturer: Ames	Model: LFMaxim 300GV
Size: 2 1/2	Orientation: VU	Meters: (O)
Manual: 9	0.25% Pb: Yes	Spare Parts Only: No
Approved: 08-Jan-2014	Renewed:	Bypass: Watts LF007M3QT 3/4" (VU), Ames LF2000BM3 3/4" (VU)
Shutoffs: (zzz)		
Notes: Lead free compliant version identified with NSF61 mark on meter		

Type: DCDA	Manufacturer: Ames	Model: LFMaxim 300GV
Size: 3	Orientation: H	Meters: (O)
Manual: 9	0.25% Pb: Yes	Spare Parts Only: No
Approved: 08-Jan-2014	Renewed:	Bypass: Watts LF007M3QT 3/4" (H), Ames LF2000BM3 3/4" (H)
Shutoffs: (zzz)		
Notes: Lead free compliant version identified with NSF61 mark on meter		

Type: DCDA	Manufacturer: Ames	Model: LFMaxim 300GV
Size: 3	Orientation: VU	Meters: (O)
Manual: 9	0.25% Pb: Yes	Spare Parts Only: No
Approved: 08-Jan-2014	Renewed:	Bypass: Watts LF007M3QT 3/4" (VU), Ames LF2000BM3 3/4" (VU)
Shutoffs: (zzz)		
Notes: Lead free compliant version identified with NSF61 mark on meter		

Type: DCDA	Manufacturer: Ames	Model: LFMaxim 300GV
Size: 4	Orientation: H	Meters: (O)
Manual: 9	0.25% Pb: Yes	Spare Parts Only: No
Approved: 08-Jan-2014	Renewed:	Bypass: Watts LF007M3QT 3/4" (H), Ames LF2000BM3 3/4" (H)
Shutoffs: (zzz)		
Notes: Lead free compliant version identified with NSF61 mark on meter		

Type: DCDA **Manufacturer:** Ames **Model:** LFMaxim 300GV
Size: 4 **Orientation:** VU **Meters:** (O)
Manual: 9 **0.25% Pb:** Yes **Spare Parts Only:** No
Approved: 08-Jan-2014 **Renewed:** **Bypass:** Watts LF007M3QT 3/4" (VU),
Ames LF2000BM3 3/4" (VU)
Shutoffs: (zzz)
Notes: Lead free compliant version identified with NSF61 mark on meter

Type: DCDA **Manufacturer:** Ames **Model:** LFMaxim 300GV
Size: 6 **Orientation:** H **Meters:** (O)
Manual: 9 **0.25% Pb:** Yes **Spare Parts Only:** No
Approved: 08-Jan-2014 **Renewed:** **Bypass:** Watts LF007M3QT 3/4" (H),
Ames LF2000BM3 3/4" (H)
Shutoffs: (zzz)
Notes: Lead free compliant version identified with NSF61 mark on meter

Type: DCDA **Manufacturer:** Ames **Model:** LFMaxim 300GV
Size: 6 **Orientation:** VU **Meters:** (O)
Manual: 9 **0.25% Pb:** Yes **Spare Parts Only:** No
Approved: 08-Jan-2014 **Renewed:** **Bypass:** Watts LF007M3QT 3/4" (VU),
Ames LF2000BM3 3/4" (VU)
Shutoffs: (zzz)
Notes: Lead free compliant version identified with NSF61 mark on meter

Type: DCDA **Manufacturer:** Ames **Model:** LFMaxim 300GV
Size: 8 **Orientation:** H **Meters:** (O)
Manual: 9 **0.25% Pb:** Yes **Spare Parts Only:** No
Approved: 08-Jan-2014 **Renewed:** **Bypass:** Watts LF007M3QT 3/4" (H),
Ames LF2000BM3 3/4" (H)
Shutoffs: (zzz)
Notes: Lead free compliant version identified with NSF61 mark on meter

Type: DCDA **Manufacturer:** Ames **Model:** LFMaxim 300GV
Size: 8 **Orientation:** VU **Meters:** (O)
Manual: 9 **0.25% Pb:** Yes **Spare Parts Only:** No
Approved: 08-Jan-2014 **Renewed:** **Bypass:** Watts LF007M3QT 3/4" (VU),
Ames LF2000BM3 3/4" (VU)
Shutoffs: (zzz)
Notes: Lead free compliant version identified with NSF61 mark on meter

Type: DCDA
Size: 10
Manual: 9
Approved: 08-Jan-2014
Shutoffs: (zzz)
Notes: Lead free compliant version identified with NSF61 mark on meter

Manufacturer: Ames
Orientation: H
0.25% Pb: Yes
Renewed:

Model: LFMaxim 300GV
Meters: (O)
Spare Parts Only: No
Bypass: Watts LF007M3QT 3/4" (H),
Ames LF2000BM3 3/4" (H)

Type: DCDA
Size: 10
Manual: 9
Approved: 08-Jan-2014
Shutoffs: (zzz)
Notes: Lead free compliant version identified with NSF61 mark on meter

Manufacturer: Ames
Orientation: VU
0.25% Pb: Yes
Renewed:

Model: LFMaxim 300GV
Meters: (O)
Spare Parts Only: No
Bypass: Watts LF007M3QT 3/4" (VU),
Ames LF2000BM3 3/4" (VU)

Type: DCDA
Size: 2 1/2
Manual: 9
Approved: 08-Jan-2014
Shutoffs: (yyy)
Notes: Lead free compliant version identified with NSF61 mark on meter

Manufacturer: Ames
Orientation: VUVD
0.25% Pb: Yes
Renewed:

Model: LFMaxim 300NBF
Meters: (O)
Spare Parts Only: No
Bypass: Watts LF007M3QT 3/4" (H),
Ames LF2000BM3 3/4" (H)

Type: DCDA
Size: 3
Manual: 9
Approved: 08-Jan-2014
Shutoffs: (yyy)
Notes: Lead free compliant version identified with NSF61 mark on meter

Manufacturer: Ames
Orientation: VUVD
0.25% Pb: Yes
Renewed:

Model: LFMaxim 300NBF
Meters: (O)
Spare Parts Only: No
Bypass: Watts LF007M3QT 3/4" (H),
Ames LF2000BM3 3/4" (H)

Type: DCDA
Size: 4
Manual: 9
Approved: 08-Jan-2014
Shutoffs: (yyy)
Notes: Lead free compliant version identified with NSF61 mark on meter

Manufacturer: Ames
Orientation: VUVD
0.25% Pb: Yes
Renewed:

Model: LFMaxim 300NBF
Meters: (O)
Spare Parts Only: No
Bypass: Watts LF007M3QT 3/4" (H),
Ames LF2000BM3 3/4" (H)

Type: DCDA
Size: 6
Manual: 9
Approved: 08-Jan-2014
Shutoffs: (yyy)
Notes: Lead free compliant version identified with NSF61 mark on meter

Manufacturer: Ames
Orientation: VUVD
0.25% Pb: Yes
Renewed:

Model: LFMaxim 300NBF
Meters: (O)
Spare Parts Only: No
Bypass: Watts LF007M3QT 3/4" (H),
Ames LF2000BM3 3/4" (H)

Type: DCDA
Size: 8
Manual: 9
Approved: 08-Jan-2014
Shutoffs: (yyy)
Notes: Lead free compliant version identified with NSF61 mark on meter

Manufacturer: Ames
Orientation: VUVD
0.25% Pb: Yes
Renewed:

Model: LFMaxim 300NBF
Meters: (O)
Spare Parts Only: No
Bypass: Watts LF007M3QT 3/4" (H),
Ames LF2000BM3 3/4" (H)

Type: DCDA
Size: 10
Manual: 9
Approved: 08-Jan-2014
Shutoffs: (yyy)
Notes: Lead free compliant version identified with NSF61 mark on meter

Manufacturer: Ames
Orientation: VUVD
0.25% Pb: Yes
Renewed:

Model: LFMaxim 300NBF
Meters: (O)
Spare Parts Only: No
Bypass: Watts LF007M3QT 3/4" (H),
Ames LF2000BM3 3/4" (H)

Type: DCDA
Size: 2 1/2
Manual: 9
Approved: 08-Jan-2014
Shutoffs: (zzz)
Notes: Lead free compliant version identified with NSF61 mark on meter

Manufacturer: Ames
Orientation: VUVD
0.25% Pb: Yes
Renewed:

Model: LFMaxim 300NGV
Meters: (O)
Spare Parts Only: No
Bypass: Watts LF007M3QT 3/4" (H),
Ames LF2000BM3 3/4" (H)

Type: DCDA
Size: 3
Manual: 9
Approved: 08-Jan-2014
Shutoffs: (zzz)
Notes: Lead free compliant version identified with NSF61 mark on meter

Manufacturer: Ames
Orientation: VUVD
0.25% Pb: Yes
Renewed:

Model: LFMaxim 300NGV
Meters: (O)
Spare Parts Only: No
Bypass: Watts LF007M3QT 3/4" (H),
Ames LF2000BM3 3/4" (H)

Type: DCDA **Manufacturer:** Ames **Model:** LFMaxim 300NGV
Size: 4 **Orientation:** VUVD **Meters:** (O)
Manual: 9 **0.25% Pb:** Yes **Spare Parts Only:** No
Approved: 08-Jan-2014 **Renewed:** **Bypass:** Watts LF007M3QT 3/4" (H),
Ames LF2000BM3 3/4" (H)
Shutoffs: (zzz)
Notes: Lead free compliant version identified with NSF61 mark on meter

Type: DCDA **Manufacturer:** Ames **Model:** LFMaxim 300NGV
Size: 6 **Orientation:** VUVD **Meters:** (O)
Manual: 9 **0.25% Pb:** Yes **Spare Parts Only:** No
Approved: 08-Jan-2014 **Renewed:** **Bypass:** Watts LF007M3QT 3/4" (H),
Ames LF2000BM3 3/4" (H)
Shutoffs: (zzz)
Notes: Lead free compliant version identified with NSF61 mark on meter

Type: DCDA **Manufacturer:** Ames **Model:** LFMaxim 300NGV
Size: 8 **Orientation:** VUVD **Meters:** (O)
Manual: 9 **0.25% Pb:** Yes **Spare Parts Only:** No
Approved: 08-Jan-2014 **Renewed:** **Bypass:** Watts LF007M3QT 3/4" (H),
Ames LF2000BM3 3/4" (H)
Shutoffs: (zzz)
Notes: Lead free compliant version identified with NSF61 mark on meter

Type: DCDA **Manufacturer:** Ames **Model:** LFMaxim 300NGV
Size: 10 **Orientation:** VUVD **Meters:** (O)
Manual: 9 **0.25% Pb:** Yes **Spare Parts Only:** No
Approved: 08-Jan-2014 **Renewed:** **Bypass:** Watts LF007M3QT 3/4" (H),
Ames LF2000BM3 3/4" (H)
Shutoffs: (zzz)
Notes: Lead free compliant version identified with NSF61 mark on meter

Type: DCDA **Manufacturer:** Ames **Model:** Maxim 300aBF
Size: 2 1/2 **Orientation:** H **Meters:** (N),G,H,I,J,K,L,M,O,P,Q
Manual: 9 **0.25% Pb:** No **Spare Parts Only:** No
Approved: 06-Nov-2003 **Renewed:** 06-Nov-2012 **Bypass:** Ames 2000BM3 3/4" (H)
Shutoffs: (yyy)

Type: DCDA **Manufacturer:** Ames **Model:** Maxim 300aBF
Size: 2 1/2 **Orientation:** VU **Meters:** (N),G,H,I,J,K,L,M,O,P,Q
Manual: 9 **0.25% Pb:** No **Spare Parts Only:** No
Approved: 06-Nov-2003 **Renewed:** 06-Nov-2012 **Bypass:** Ames 2000BM3 3/4" (VU)
Shutoffs: (yyy)

Type: DCDA **Manufacturer:** Ames **Model:** Maxim 300aBF
Size: 3 **Orientation:** H **Meters:** (N),G,H,I,J,K,L,M,O,P,Q
Manual: 9 **0.25% Pb:** No **Spare Parts Only:** No
Approved: 06-Oct-2003 **Renewed:** 06-Oct-2015 **Bypass:** Ames 2000BM3 3/4" (H)
Shutoffs: (yyy)

Type: DCDA **Manufacturer:** Ames **Model:** Maxim 300aBF
Size: 3 **Orientation:** VU **Meters:** (N),G,H,I,J,K,L,M,O,P,Q
Manual: 9 **0.25% Pb:** No **Spare Parts Only:** No
Approved: 06-Oct-2003 **Renewed:** 06-Oct-2015 **Bypass:** Ames 2000BM3 3/4" (VU)
Shutoffs: (yyy)

Type: DCDA **Manufacturer:** Ames **Model:** Maxim 300aBF
Size: 4 **Orientation:** H **Meters:** (N),G,H,I,J,K,L,M,N,O,P,Q
Manual: 9 **0.25% Pb:** No **Spare Parts Only:** No
Approved: 03-Nov-2004 **Renewed:** 03-Nov-2013 **Bypass:** Ames 2000BM3 3/4" (H)
Shutoffs: (yyy)

Type: DCDA **Manufacturer:** Ames **Model:** Maxim 300aBF
Size: 4 **Orientation:** VU **Meters:** (N), G, H, I J, K L, M, N, O, P, Q
Manual: 9 **0.25% Pb:** No **Spare Parts Only:** No
Approved: 18-Jan-2005 **Renewed:** 18-Jan-2014 **Bypass:** Ames 2000BM3 3/4" (VU)
Shutoffs: (yyy)

Type: DCDA **Manufacturer:** Ames **Model:** Maxim 300aGV
Size: 2 1/2 **Orientation:** H **Meters:** (N),G,H,I,J,K,L,M,O,P,Q
Manual: 9 **0.25% Pb:** No **Spare Parts Only:** No
Approved: 06-Oct-2003 **Renewed:** 06-Oct-2015 **Bypass:** Ames 2000BM3 3/4" (H)
Shutoffs: (zzz)

Type: DCDA
Size: 2 1/2
Manual: 9
Approved: 06-Oct-2003
Shutoffs: (zzz)

Manufacturer: Ames
Orientation: VU
0.25% Pb: No
Renewed: 06-Oct-2015

Model: Maxim 300aGV
Meters: (N),G,H,I,J,K,L,M,O,P,Q
Spare Parts Only: No
Bypass: Ames 2000BM3 3/4" (VU)

Type: DCDA
Size: 3
Manual: 9
Approved: 06-Oct-2003
Shutoffs: (zzz)

Manufacturer: Ames
Orientation: H
0.25% Pb: No
Renewed: 06-Oct-2015

Model: Maxim 300aGV
Meters: (N),G,H,I,J,K,L,M,O,P,Q
Spare Parts Only: No
Bypass: Ames 2000BM3 3/4" (H)

Type: DCDA
Size: 3
Manual: 9
Approved: 06-Oct-2003
Shutoffs: (zzz)

Manufacturer: Ames
Orientation: VU
0.25% Pb: No
Renewed: 06-Oct-2015

Model: Maxim 300aGV
Meters: (N),G,H,I,J,K,L,M,O,P,Q
Spare Parts Only: No
Bypass: Ames 2000BM3 3/4" (VU)

Type: DCDA
Size: 4
Manual: 9
Approved: 03-Nov-2004
Shutoffs: (zzz)

Manufacturer: Ames
Orientation: H
0.25% Pb: No
Renewed: 03-Nov-2013

Model: Maxim 300aGV
Meters: (N),G,H,I,J,K,L,M,N,O,P,Q
Spare Parts Only: No
Bypass: Ames 2000BM3 3/4" (H)

Type: DCDA
Size: 4
Manual: 9
Approved: 18-Jan-2005
Shutoffs: (zzz)

Manufacturer: Ames
Orientation: VU
0.25% Pb: No
Renewed: 18-Jan-2014

Model: Maxim 300aGV
Meters: (N), G, H, I J, K L, M, N, O, P, Q
Spare Parts Only: No
Bypass: Ames 2000BM3 3/4" (VU)

Type: DCDA
Size: 2 1/2
Manual: 9
Approved: 04-Oct-2005
Shutoffs: (yyy)

Manufacturer: Ames
Orientation: H
0.25% Pb: No
Renewed: 04-Oct-2014

Model: Maxim 300BF
Meters: (N),G,H,I,J,K,L,M,O,P,Q
Spare Parts Only: No
Bypass: Ames 2000BM3 3/4" (H)

Type: DCDA
Size: 2 1/2
Manual: 9
Approved: 04-Oct-2005
Shutoffs: (yyy)

Manufacturer: Ames
Orientation: VU
0.25% Pb: No
Renewed: 04-Oct-2014

Model: Maxim 300BF
Meters: (N),G,H,I,J,K,L,M,O,P,Q
Spare Parts Only: No
Bypass: Ames 2000BM3 3/4" (VU)

Type: DCDA
Size: 3
Manual: 9
Approved: 04-Oct-2005
Shutoffs: (yyy)

Manufacturer: Ames
Orientation: H
0.25% Pb: No
Renewed: 04-Oct-2014

Model: Maxim 300BF
Meters: (N),G,H,I,J,K,L,M,O,P,Q
Spare Parts Only: No
Bypass: Ames 2000BM3 3/4" (H)

Type: DCDA
Size: 3
Manual: 9
Approved: 04-Oct-2005
Shutoffs: (yyy)

Manufacturer: Ames
Orientation: VU
0.25% Pb: No
Renewed: 04-Oct-2014

Model: Maxim 300BF
Meters: (N),G,H,I,J,K,L,M,O,P,Q
Spare Parts Only: No
Bypass: Ames 2000BM3 3/4" (VU)

Type: DCDA
Size: 4
Manual: 9
Approved: 02-Mar-2007
Shutoffs: (yyy)

Manufacturer: Ames
Orientation: H
0.25% Pb: No
Renewed: 02-Mar-2013

Model: Maxim 300BF
Meters: (N),G,H,I,J,K,L,M,O,P,Q
Spare Parts Only: No
Bypass: Ames 2000BM3 3/4"(H)

Type: DCDA
Size: 4
Manual: 9
Approved: 02-Mar-2007
Shutoffs: (yyy)

Manufacturer: Ames
Orientation: Vu
0.25% Pb: No
Renewed: 02-Mar-2013

Model: Maxim 300BF
Meters: (N),G,H,I,J,K,L,M,O,P,Q
Spare Parts Only: No
Bypass: Ames 2000BM3 3/4"(V)

Type: DCDA
Size: 6
Manual: 9
Approved: 09-Mar-2007
Shutoffs: (yyy)

Manufacturer: Ames
Orientation: H
0.25% Pb: No
Renewed: 09-Mar-2013

Model: Maxim 300BF
Meters: (N), G, H, I J, K L, M, N, O, P, Q
Spare Parts Only: No
Bypass: Ames 2000BM3 3/4" (H & VU)

Type: DCDA	Manufacturer: Ames	Model: Maxim 300BF
Size: 6	Orientation: VU	Meters: (N), G, H, I J, K L, M, N, O, P, Q
Manual: 9	0.25% Pb: No	Spare Parts Only: No
Approved: 09-Mar-2007	Renewed: 09-Mar-2013	Bypass: Ames 2000BM3 3/4" (H & VU)
Shutoffs: (yyy)		

Type: DCDA	Manufacturer: Ames	Model: Maxim 300BF
Size: 8	Orientation: H	Meters: (N),G,H,I,J,K,L,M,O,P,Q
Manual: 9	0.25% Pb: No	Spare Parts Only: No
Approved: 17-Sep-2009	Renewed: 17-Sep-2015	Bypass: Watts 007M3QT 3/4" (H), Ames 2000 BM3 (H)
Shutoffs: (yyy)		

Type: DCDA	Manufacturer: Ames	Model: Maxim 300BF
Size: 8	Orientation: VU	Meters: (N),G,H,I,J,K,L,M,O,P,Q
Manual: 9	0.25% Pb: No	Spare Parts Only: No
Approved: 17-Sep-2009	Renewed: 17-Sep-2015	Bypass: Watts 007M3QT 3/4" (V), Ames 2000 BM3 (V)
Shutoffs: (yyy)		

Type: DCDA	Manufacturer: Ames	Model: Maxim 300BF
Size: 10	Orientation: H	Meters: (N),G,H,I,J,K,L,M,O,P,Q
Manual: 9	0.25% Pb: No	Spare Parts Only: No
Approved: 17-Sep-2009	Renewed: 17-Sep-2015	Bypass: Watts 007M3QT 3/4" (H), Ames 2000 BM3 (H)
Shutoffs: (yyy)		

Type: DCDA	Manufacturer: Ames	Model: Maxim 300BF
Size: 10	Orientation: VU	Meters: (N),G,H,I,J,K,L,M,O,P,Q
Manual: 9	0.25% Pb: No	Spare Parts Only: No
Approved: 17-Sep-2009	Renewed: 17-Sep-2015	Bypass: Watts 007M3QT 3/4" (V), Ames 2000 BM3 (V)
Shutoffs: (yyy)		

Type: DCDA	Manufacturer: Ames	Model: Maxim 300GV
Size: 2 1/2	Orientation: H	Meters: (N),G,H,I,J,K,L,M,O,P,Q
Manual: 9	0.25% Pb: No	Spare Parts Only: No
Approved: 04-Oct-2005	Renewed: 04-Oct-2014	Bypass: Ames 2000BM3 3/4" (H)
Shutoffs: (zzz)		

Type: DCDA Size: 2 1/2 Manual: 9 Approved: 04-Oct-2005 Shutoffs: (zzz)	Manufacturer: Ames Orientation: VU 0.25% Pb: No Renewed: 04-Oct-2014	Model: Maxim 300GV Meters: (N),G,H,I,J,K,L,M,O,P,Q Spare Parts Only: No Bypass: Ames 2000BM3 3/4" (VU)
Type: DCDA Size: 3 Manual: 9 Approved: 04-Oct-2005 Shutoffs: (zzz)	Manufacturer: Ames Orientation: H 0.25% Pb: No Renewed: 04-Oct-2014	Model: Maxim 300GV Meters: (N),G,H,I,J,K,L,M,O,P,Q Spare Parts Only: No Bypass: Ames 2000BM3 3/4" (H)
Type: DCDA Size: 3 Manual: 9 Approved: 04-Oct-2005 Shutoffs: (zzz)	Manufacturer: Ames Orientation: VU 0.25% Pb: No Renewed: 04-Oct-2014	Model: Maxim 300GV Meters: (N),G,H,I,J,K,L,M,O,P,Q Spare Parts Only: No Bypass: Ames 2000BM3 3/4" (VU)
Type: DCDA Size: 4 Manual: 9 Approved: 02-Mar-2007 Shutoffs: (zzz)	Manufacturer: Ames Orientation: H 0.25% Pb: No Renewed: 02-Mar-2013	Model: Maxim 300GV Meters: (N),G,H,I,J,K,L,M,O,P,Q Spare Parts Only: No Bypass: Ames 2000BM3 3/4"(H)
Type: DCDA Size: 4 Manual: 9 Approved: 02-Mar-2007 Shutoffs: (zzz)	Manufacturer: Ames Orientation: VU 0.25% Pb: No Renewed: 02-Mar-2013	Model: Maxim 300GV Meters: (N),G,H,I,J,K,L,M,O,P,Q Spare Parts Only: No Bypass: Ames 2000BM3 3/4"(V)
Type: DCDA Size: 6 Manual: 9 Approved: 09-Mar-2007 Shutoffs: (zzz)	Manufacturer: Ames Orientation: H 0.25% Pb: No Renewed: 09-Mar-2013	Model: Maxim 300GV Meters: (N),G,H,I,J,K,L,M,N,O,P,Q Spare Parts Only: No Bypass: Ames 2000BM3 3/4" (H & VU)
Type: DCDA Size: 6 Manual: 9 Approved: 09-Mar-2007 Shutoffs: (zzz)	Manufacturer: Ames Orientation: VU 0.25% Pb: No Renewed: 09-Mar-2013	Model: Maxim 300GV Meters: (N),G,H,I,J,K,L,M,N,O,P,Q Spare Parts Only: No Bypass: Ames 2000BM3 3/4" (H & VU)

Type: DCDA **Manufacturer:** Ames **Model:** Maxim 300GV
Size: 8 **Orientation:** H **Meters:** (N),G,H,I,J,K,L,M,O,P,Q
Manual: 9 **0.25% Pb:** No **Spare Parts Only:** No
Approved: 17-Sep-2009 **Renewed:** 17-Sep-2015 **Bypass:** Watts 007M3QT 3/4" (H),
Ames 2000 BM3 (H)
Shutoffs: (zzz)

Type: DCDA **Manufacturer:** Ames **Model:** Maxim 300GV
Size: 8 **Orientation:** VU **Meters:** (N),G,H,I,J,K,L,M,O,P,Q
Manual: 9 **0.25% Pb:** No **Spare Parts Only:** No
Approved: 17-Sep-2009 **Renewed:** 17-Sep-2015 **Bypass:** Watts 007M3QT 3/4" (V),
Ames 2000 BM3 (V)
Shutoffs: (zzz)

Type: DCDA **Manufacturer:** Ames **Model:** Maxim 300GV
Size: 10 **Orientation:** H **Meters:** (N),G,H,I,J,K,L,M,O,P,Q
Manual: 9 **0.25% Pb:** No **Spare Parts Only:** No
Approved: 17-Sep-2009 **Renewed:** 17-Sep-2015 **Bypass:** Watts 007M3QT 3/4" (H),
Ames 2000 BM3 (H)
Shutoffs: (zzz)

Type: DCDA **Manufacturer:** Ames **Model:** Maxim 300GV
Size: 10 **Orientation:** VU **Meters:** (N),G,H,I,J,K,L,M,O,P,Q
Manual: 9 **0.25% Pb:** No **Spare Parts Only:** No
Approved: 17-Sep-2009 **Renewed:** 17-Sep-2015 **Bypass:** Watts 007M3QT 3/4" (V),
Ames 2000 BM3 (V)
Shutoffs: (zzz)

Type: DCDA **Manufacturer:** Ames **Model:** Maxim 300NBF
Size: 2 1/2 **Orientation:** VUVD **Meters:** (N),G,H,I,J,K,L,M,N,O,P,Q
Manual: 9 **0.25% Pb:** No **Spare Parts Only:** No
Approved: 07-Apr-2009 **Renewed:** 07-Apr-2015 **Bypass:** Ames 2000BM3 3/4" (H)
Shutoffs: (yyy)

Type: DCDA **Manufacturer:** Ames **Model:** Maxim 300NBF
Size: 3 **Orientation:** VUVD **Meters:** (N),G,H,I,J,K,L,M,N,O,P,Q
Manual: 9 **0.25% Pb:** No **Spare Parts Only:** No
Approved: 07-Apr-2009 **Renewed:** 07-Apr-2015 **Bypass:** Ames 2000BM3 3/4" (H)
Shutoffs: (yyy)

Type: DCDA
Size: 4
Manual: 9
Approved: 07-Apr-2009
Shutoffs: (yyy)

Manufacturer: Ames
Orientation: VUVD
0.25% Pb: No
Renewed: 07-Apr-2015

Model: Maxim 300NBF
Meters: (N),G,H,I,J,K,L,M,N,O,P,Q
Spare Parts Only: No
Bypass: Ames 2000BM3 3/4" (H)

Type: DCDA
Size: 6
Manual: 9
Approved: 03-Jan-2013
Shutoffs: (yyy)

Manufacturer: Ames
Orientation: VUVD
0.25% Pb: No
Renewed:

Model: Maxim 300NBF
Meters: (N),G,H,I,J,K,L,M,N,O,P,Q
Spare Parts Only: No
Bypass: Ames 2000BM3 3/4" (H)

Type: DCDA
Size: 8
Manual: 9
Approved: 28-May-2013
Shutoffs: (yyy)

Manufacturer: Ames
Orientation: VUVD
0.25% Pb: No
Renewed:

Model: Maxim 300NBF
Meters: (N), H,I,J,K,L,M,N,O,P,Q
Spare Parts Only: No
Bypass: Ames 2000BM3 3/4" (H),
Watts 007M3QT 3/4" (H)

Type: DCDA
Size: 10
Manual: 9
Approved: 28-May-2013
Shutoffs: (yyy)

Manufacturer: Ames
Orientation: VUVD
0.25% Pb: No
Renewed:

Model: Maxim 300NBF
Meters: (N), H,I,J,K,L,M,N,O,P,Q
Spare Parts Only: No
Bypass: Ames 2000BM3 3/4" (H),
Watts 007M3QT 3/4" (H)

Type: DCDA
Size: 2 1/2
Manual: 9
Approved: 07-Apr-2009
Shutoffs: (zzz)

Manufacturer: Ames
Orientation: VUVD
0.25% Pb: No
Renewed: 07-Apr-2015

Model: Maxim 300NGV
Meters: (N),G,H,I,J,K,L,M,N,O,P,Q
Spare Parts Only: No
Bypass: Ames 2000BM3 3/4" (H)

Type: DCDA
Size: 3
Manual: 9
Approved: 07-Apr-2009
Shutoffs: (zzz)

Manufacturer: Ames
Orientation: VUVD
0.25% Pb: No
Renewed: 07-Apr-2015

Model: Maxim 300NGV
Meters: (N),G,H,I,J,K,L,M,N,O,P,Q
Spare Parts Only: No
Bypass: Ames 2000BM3 3/4" (H)

Type: DCDA **Manufacturer:** Ames **Model:** Maxim 300NGV
Size: 4 **Orientation:** VUVD **Meters:** (N),G,H,I,J,K,L,M,N,O,P,Q
Manual: 9 **0.25% Pb:** No **Spare Parts Only:** No
Approved: 07-Apr-2009 **Renewed:** 07-Apr-2015 **Bypass:** Ames 2000BM3 3/4" (H)
Shutoffs: (zzz)

Type: DCDA **Manufacturer:** Ames **Model:** Maxim 300NGV
Size: 6 **Orientation:** VUVD **Meters:** (N),G,H,I,J,K,L,M,N,O,P,Q
Manual: 9 **0.25% Pb:** No **Spare Parts Only:** No
Approved: 03-Jan-2013 **Renewed:** **Bypass:** Ames 2000BM3 3/4" (H)
Shutoffs: (zzz)

Type: DCDA **Manufacturer:** Ames **Model:** Maxim 300NGV
Size: 8 **Orientation:** VUVD **Meters:** (N), H,I,J,K,L,M,N,O,P,Q
Manual: 9 **0.25% Pb:** No **Spare Parts Only:** No
Approved: 28-May-2013 **Renewed:** **Bypass:** Ames 2000BM3 3/4" (H),
Watts 007M3QT 3/4" (H)
Shutoffs: (zzz)

Type: DCDA **Manufacturer:** Ames **Model:** Maxim 300NGV
Size: 10 **Orientation:** VUVD **Meters:** (N), H,I,J,K,L,M,N,O,P,Q
Manual: 9 **0.25% Pb:** No **Spare Parts Only:** No
Approved: 28-May-2013 **Renewed:** **Bypass:** Ames 2000BM3 3/4" (H),
Watts 007M3QT 3/4" (H)
Shutoffs: (zzz)

Type: DCDA **Manufacturer:** Apollo/Conbraco **Model:** 10DCDA
Size: 10 **Orientation:** **Meters:**
Manual: **0.25% Pb:** No **Spare Parts Only:** No
Approved: **Renewed:** **Bypass:**
Notes: model designation changed to DCDA4S

Type: DCDA **Manufacturer:** Apollo/Conbraco **Model:** 10DCDA
Size: 10 **Orientation:** **Meters:**
Manual: **0.25% Pb:** No **Spare Parts Only:** No
Approved: **Renewed:** **Bypass:**
Notes: model designation changed to DCDA4S

Type: DCDA **Manufacturer:** Apollo/Conbraco **Model:** 2 1/2DCDA
Size: 2 1/2 **Orientation:** H **Meters:** (M),E,F,G,H,I,J,K,L,N,O,P,Q
Manual: 9 **0.25% Pb:** No **Spare Parts Only:** No
Approved: 16-Oct-2000 **Renewed:** 16-Oct-2012 **Bypass:** Apollo/Conbraco 1/2DC 1/2"
(H), Apollo/Conbraco W432100 1/2" (H)
Shutoffs: (ll),mm

Type: DCDA **Manufacturer:** Apollo/Conbraco **Model:** 2 1/2DCDA
Size: 2 1/2 **Orientation:** VU **Meters:** (M),E,F,G,H,I,J,K,L,N,O,P,Q
Manual: 9 **0.25% Pb:** No **Spare Parts Only:** No
Approved: 16-Oct-2000 **Renewed:** 16-Oct-2012 **Bypass:** Apollo/Conbraco 1/2DC 1/2"
(VU), Apollo/Conbraco W432100 1/2"
(VU)
Shutoffs: (ll),mm

Type: DCDA **Manufacturer:** Apollo/Conbraco **Model:** 2 1/2DCDA6
Size: 2 1/2 **Orientation:** H **Meters:** (M),E,F,G,H,I,J,K,L,N,O,P,Q
Manual: 9 **0.25% Pb:** No **Spare Parts Only:** No
Approved: 10-Apr-2001 **Renewed:** 10-Apr-2013 **Bypass:** Apollo/Conbraco 1/2DC 1/2"
(H), Apollo/Conbraco W432100 1/2" (H)
Shutoffs: (mm)[#1SOV],[nnn][#2SOV]

Type: DCDA **Manufacturer:** Apollo/Conbraco **Model:** 2 1/2DCDA6
Size: 2 1/2 **Orientation:** VU **Meters:** (M),E,F,G,H,I,J,K,L,N,O,P,Q
Manual: 9 **0.25% Pb:** No **Spare Parts Only:** No
Approved: 10-Apr-2001 **Renewed:** 10-Apr-2013 **Bypass:** Apollo/Conbraco 1/2DC 1/2"
(VU), Apollo/Conbraco W432100 1/2"
(VU)
Shutoffs: (mm)[#1SOV],[nnn][#2SOV]

Type: DCDA **Manufacturer:** Apollo/Conbraco **Model:** 2 1/2DCDA7
Size: 2 1/2 **Orientation:** H **Meters:** (M),E,F,G,H,I,J,K,L,N,O,P,Q
Manual: 9 **0.25% Pb:** No **Spare Parts Only:** No
Approved: 29-Sep-2004 **Renewed:** 29-Sep-2013 **Bypass:** Apollo/Conbraco 1/2DC 1/2"
(H), Apollo/Conbraco W432100 1/2" (H)
Shutoffs: (mm)[#1SOV], (qqq)[#2SOV]

Type: DCDA
Size: 2 1/2
Manual: 9
Approved: 29-Sep-2004
Shutoffs: (mm)[#1SOV], (qqq)[#2SOV]

Manufacturer: Apollo/Conbraco
Orientation: VU
0.25% Pb: No
Renewed: 29-Sep-2013

Model: 2 1/2DCDA7
Meters: (M),E,F,G,H,I,J,K,L,N,O,P,Q
Spare Parts Only: No
Bypass: Apollo/Conbraco 1/2DC 1/2" (VU), Apollo/Conbraco W432100 1/2" (VU)

Type: DCDA
Size: 2 1/2
Manual: 9
Approved: 29-Sep-2004
Shutoffs: (ppp),qqq

Manufacturer: Apollo/Conbraco
Orientation: H
0.25% Pb: No
Renewed: 29-Sep-2013

Model: 2 1/2DCDA8
Meters: (M),E,F,G,H,I,J,K,L,N,O,P,Q
Spare Parts Only: No
Bypass: Apollo/Conbraco 1/2DC 1/2" (H), Apollo/Conbraco W432100 1/2" (H)

Type: DCDA
Size: 2 1/2
Manual: 9
Approved: 29-Sep-2004
Shutoffs: (ppp),qqq

Manufacturer: Apollo/Conbraco
Orientation: VU
0.25% Pb: No
Renewed: 29-Sep-2013

Model: 2 1/2DCDA8
Meters: (M),E,F,G,H,I,J,K,L,N,O,P,Q
Spare Parts Only: No
Bypass: Apollo/Conbraco 1/2DC 1/2" (VU), Apollo/Conbraco W432100 1/2" (VU)

Type: DCDA
Size: 2 1/2
Manual: 9
Approved: 10-Apr-2001
Shutoffs: (ll),mm

Manufacturer: Apollo/Conbraco
Orientation: VUVD
0.25% Pb: No
Renewed: 10-Apr-2013

Model: 2 1/2DCDAU
Meters: (M),E,F,G,H,I,J,K,L,N,O,P,Q
Spare Parts Only: No
Bypass: Apollo/Conbraco 1/2DC 1/2" (H), Apollo/Conbraco W432100 1/2" (H)

Type: DCDA
Size: 3
Manual: 9
Approved: 16-Oct-2000
Shutoffs: (ll),mm

Manufacturer: Apollo/Conbraco
Orientation: H
0.25% Pb: No
Renewed: 16-Oct-2012

Model: 3DCDA
Meters: (M),E,F,G,H,I,J,K,L,N,O,P,Q
Spare Parts Only: No
Bypass: Apollo/Conbraco 1/2DC 1/2" (H), Apollo/Conbraco W432100 1/2" (H)

Type: DCDA **Manufacturer:** Apollo/Conbraco **Model:** 3DCDA
Size: 3 **Orientation:** VU **Meters:** (M),E,F,G,H,I,J,K,L,N,O,P,Q
Manual: 9 **0.25% Pb:** No **Spare Parts Only:** No

Approved: 16-Oct-2000 **Renewed:** 16-Oct-2012 **Bypass:** Apollo/Conbraco 1/2DC 1/2" (VU), Apollo/Conbraco W432100 1/2" (VU)

Shutoffs: (ll),mm

Type: DCDA **Manufacturer:** Apollo/Conbraco **Model:** 3DCDA6
Size: 3 **Orientation:** H **Meters:** (M),E,F,G,H,I,J,K,L,N,O,P,Q
Manual: 9 **0.25% Pb:** No **Spare Parts Only:** No

Approved: 10-Apr-2001 **Renewed:** 10-Apr-2013 **Bypass:** Apollo/Conbraco 1/2DC 1/2" (H), Apollo/Conbraco W432100 1/2" (H)

Shutoffs: (mm)[#1SOV],(nnn)[#2SOV]

Type: DCDA **Manufacturer:** Apollo/Conbraco **Model:** 3DCDA6
Size: 3 **Orientation:** VU **Meters:** (M),E,F,G,H,I,J,K,L,N,O,P,Q
Manual: 9 **0.25% Pb:** No **Spare Parts Only:** No

Approved: 10-Apr-2001 **Renewed:** 10-Apr-2013 **Bypass:** Apollo/Conbraco 1/2DC 1/2" (VU), Apollo/Conbraco W432100 1/2" (VU)

Shutoffs: (mm)[#1SOV],(nnn)[#2SOV]

Type: DCDA **Manufacturer:** Apollo/Conbraco **Model:** 3DCDA7
Size: 3 **Orientation:** H **Meters:** (M),E,F,G,H,I,J,K,L,N,O,P,Q
Manual: 9 **0.25% Pb:** No **Spare Parts Only:** No

Approved: 29-Sep-2004 **Renewed:** 29-Sep-2013 **Bypass:** Apollo/Conbraco 1/2DC 1/2" (H), Apollo/Conbraco W432100 1/2" (H)

Shutoffs: (mm)[#1SOV],(qqq)[#2SOV]

Type: DCDA **Manufacturer:** Apollo/Conbraco **Model:** 3DCDA7
Size: 3 **Orientation:** VU **Meters:** (M),E,F,G,H,I,J,K,L,N,O,P,Q
Manual: 9 **0.25% Pb:** No **Spare Parts Only:** No

Approved: 29-Sep-2004 **Renewed:** 29-Sep-2013 **Bypass:** Apollo/Conbraco 1/2DC 1/2" (VU), Apollo/Conbraco W432100 1/2" (VU)

Shutoffs: (mm)[#1SOV],(qqq)[#2SOV]

Type: DCDA **Manufacturer:** Apollo/Conbraco **Model:** 3DCDA8
Size: 3 **Orientation:** H **Meters:** (M),E,F,G,H,I,J,K,L,N,O,P,Q
Manual: 9 **0.25% Pb:** No **Spare Parts Only:** No
Approved: 29-Sep-2004 **Renewed:** 29-Sep-2013 **Bypass:** Apollo/Conbraco 1/2DC 1/2"
(H), Apollo/Conbraco W432100 1/2" (H)
Shutoffs: (ppp),qqq

Type: DCDA **Manufacturer:** Apollo/Conbraco **Model:** 3DCDA8
Size: 3 **Orientation:** VU **Meters:** (M),E,F,G,H,I,J,K,L,N,O,P,Q
Manual: 9 **0.25% Pb:** No **Spare Parts Only:** No
Approved: 29-Sep-2004 **Renewed:** 29-Sep-2013 **Bypass:** Apollo/Conbraco 1/2DC 1/2"
(VU), Apollo/Conbraco W432100 1/2"
(VU)
Shutoffs: (ppp),qqq

Type: DCDA **Manufacturer:** Apollo/Conbraco **Model:** 3DCDAU
Size: 3 **Orientation:** VUVD **Meters:** (M),E,F,G,H,I,J,K,L,N,O,P,Q
Manual: 9 **0.25% Pb:** No **Spare Parts Only:** No
Approved: 10-Apr-2001 **Renewed:** 10-Apr-2013 **Bypass:** Apollo/Conbraco 1/2DC 1/2"
(H), Apollo/Conbraco W432100 1/2" (H)
Shutoffs: (ll),mm

Type: DCDA **Manufacturer:** Apollo/Conbraco **Model:** 40600000
Size: 3 **Orientation:** H **Meters:**
(M),A,B,C,D,E,F,G,H,I,J,K,L,N,O,P,Q
Manual: 8 **0.25% Pb:** No **Spare Parts Only:** Yes
Approved: 20-Aug-1996 **Renewed:** 20-Aug-2014 **Bypass:** Apollo/Conbraco 4010402 3/4"
(H)
Shutoffs: uu,cc,mm
Notes: formerly 4060003

Type: DCDA **Manufacturer:** Apollo/Conbraco **Model:** 4060003
Size: 3 **Orientation:** **Meters:**
Manual: **0.25% Pb:** No **Spare Parts Only:** No
Approved: **Renewed:** **Bypass:**
Notes: model designation changed to 40600000

Type: DCDA **Manufacturer:** Apollo/Conbraco **Model:** 4060003
Size: 3 **Orientation:** **Meters:**
Manual: **0.25% Pb:** No **Spare Parts Only:** No
Approved: **Renewed:** **Bypass:**
Notes: model designation changed to 40600C3

Type: DCDA **Manufacturer:** Apollo/Conbraco **Model:** 40600C3
Size: 3 **Orientation:** H **Meters:**
(M),A,B,C,D,E,F,G,H,I,J,K,L,N,O,P,Q
Manual: 8 **0.25% Pb:** No **Spare Parts Only:** Yes
Approved: 20-Aug-1996 **Renewed:** 20-Aug-2014 **Bypass:** Apollo/Conbraco 4010402 3/4"
(H)
Shutoffs: uu,cc,mm
Notes: formerly 4060003

Type: DCDA **Manufacturer:** Apollo/Conbraco **Model:** 4060A03
Size: 4 **Orientation:** **Meters:**
Manual: **0.25% Pb:** No **Spare Parts Only:** No
Approved: **Renewed:** **Bypass:**
Notes: model designation changed to 4060AC3

Type: DCDA **Manufacturer:** Apollo/Conbraco **Model:** 4060A03
Size: 4 **Orientation:** **Meters:**
Manual: **0.25% Pb:** No **Spare Parts Only:** No
Approved: **Renewed:** **Bypass:**
Notes: model designation changed to 4060AE3

Type: DCDA **Manufacturer:** Apollo/Conbraco **Model:** 4060AC3
Size: 4 **Orientation:** H **Meters:**
(M),A,B,C,D,E,F,G,H,I,J,K,L,N,O,P,Q
Manual: 8 **0.25% Pb:** No **Spare Parts Only:** Yes
Approved: 13-Apr-1993 **Renewed:** 13-Apr-2014 **Bypass:** Apollo/Conbraco 4010402 3/4"
(H)
Shutoffs: uu,cc,mm
Notes: formerly 4060A03

Type: DCDA **Manufacturer:** Apollo/Conbraco **Model:** 4060AC6
Size: 4 **Orientation:** H **Meters:**
(M),A,B,C,D,E,F,G,H,I,J,K,L,N,O,P,Q
Manual: 8 **0.25% Pb:** No **Spare Parts Only:** Yes
Approved: 01-Feb-2000 **Renewed:** 01-Feb-2015 **Bypass:** Apollo/Conbraco 4010402 3/4"
(H)
Shutoffs: mm[#1SOV], nnn[#2SOV]

Type: DCDA	Manufacturer: Apollo/Conbraco	Model: 4060AE3
Size: 4	Orientation: H	Meters: (M),A,B,C,D,E,F,G,H,I,J,K,L,N,O,P,Q
Manual: 8	0.25% Pb: No	Spare Parts Only: Yes
Approved: 13-Apr-1993	Renewed: 13-Apr-2014	Bypass: Apollo/Conbraco 4010402 3/4" (H)
Shutoffs: uu,cc,mm		
Notes: formerly 4060A03		

Type: DCDA	Manufacturer: Apollo/Conbraco	Model: 4060AE6
Size: 4	Orientation: H	Meters: (M),A,B,C,D,E,F,G,H,I,J,K,L,N,O,P,Q
Manual: 8	0.25% Pb: No	Spare Parts Only: Yes
Approved: 01-Feb-2000	Renewed: 01-Feb-2015	Bypass: Apollo/Conbraco 4010402 3/4" (H)
Shutoffs: mm[#1SOV], nnn[#2SOV]		

Type: DCDA	Manufacturer: Apollo/Conbraco	Model: 4060C03
Size: 6	Orientation:	Meters:
Manual:	0.25% Pb: No	Spare Parts Only: No
Approved:	Renewed:	Bypass:
Notes: model designation changed to 4060CC3		

Type: DCDA	Manufacturer: Apollo/Conbraco	Model: 4060C03
Size: 6	Orientation:	Meters:
Manual:	0.25% Pb: No	Spare Parts Only: No
Approved:	Renewed:	Bypass:
Notes: model designation changed to 4060CE3		

Type: DCDA	Manufacturer: Apollo/Conbraco	Model: 4060CC3
Size: 6	Orientation: H	Meters: (M),A,B,C,D,E,F,G,H,I,J,K,L,N,O,P,Q
Manual: 8	0.25% Pb: No	Spare Parts Only: Yes
Approved: 02-Jun-1993	Renewed: 02-Jun-2014	Bypass: Apollo/Conbraco 4010402 3/4" (H)
Shutoffs: uu,cc,mm		
Notes: formerly 4060C03		

Type: DCDA
Size: 6
Manual: 8
Approved: 01-Feb-2000
Shutoffs: mm[#1SOV], nnn[#2SOV]

Manufacturer: Apollo/Conbraco
Orientation: H
0.25% Pb: No
Renewed: 01-Feb-2015

Model: 4060CC6
Meters: (M),A,B,C,D,E,F,G,H,I,J,K,L,N,O,P,Q
Spare Parts Only: Yes
Bypass: Apollo/Conbraco 4010402 3/4" (H)

Type: DCDA
Size: 6
Manual: 8
Approved: 02-Jun-1993
Shutoffs: uu,cc,mm
Notes: formerly 4060C03

Manufacturer: Apollo/Conbraco
Orientation: H
0.25% Pb: No
Renewed: 02-Jun-2014

Model: 4060CE3
Meters: (M),A,B,C,D,E,F,G,H,I,J,K,L,N,O,P,Q
Spare Parts Only: Yes
Bypass: Apollo/Conbraco 4010402 3/4" (H)

Type: DCDA
Size: 6
Manual: 8
Approved: 01-Feb-2000
Shutoffs: mm[#1SOV], nnn[#2SOV]

Manufacturer: Apollo/Conbraco
Orientation: H
0.25% Pb: No
Renewed: 01-Feb-2015

Model: 4060CE6
Meters: (M),A,B,C,D,E,F,G,H,I,J,K,L,N,O,P,Q
Spare Parts Only: Yes
Bypass: Apollo/Conbraco 4010402 3/4" (H)

Type: DCDA
Size: 8
Manual:
Approved:
Notes: model designation changed to 4060EC3

Manufacturer: Apollo/Conbraco
Orientation:
0.25% Pb: No
Renewed:

Model: 4060E03
Meters:
Spare Parts Only: No
Bypass:

Type: DCDA
Size: 8
Manual:
Approved:
Notes: model designation changed to 4060EE3

Manufacturer: Apollo/Conbraco
Orientation:
0.25% Pb: No
Renewed:

Model: 4060E03
Meters:
Spare Parts Only: No
Bypass:

Type: DCDA
Size: 8
Manual: 8
Approved: 13-Apr-1993
Shutoffs: uu,cc,mm
Notes: formerly 4060E03

Manufacturer: Apollo/Conbraco
Orientation: H
0.25% Pb: No
Renewed: 13-Apr-2014

Model: 4060EC3
Meters: (M),A,B,C,D,E,F,G,H,I,J,K,L,N,O,P,Q
Spare Parts Only: Yes
Bypass: Apollo/Conbraco 4010402 3/4" (H)

Type: DCDA
Size: 8
Manual: 8
Approved: 01-Feb-2000
Shutoffs: mm[#1SOV], nnn[#2SOV]

Manufacturer: Apollo/Conbraco
Orientation: H
0.25% Pb: No
Renewed: 01-Feb-2015

Model: 4060EC6
Meters: (M),A,B,C,D,E,F,G,H,I,J,K,L,N,O,P,Q
Spare Parts Only: Yes
Bypass: Apollo/Conbraco 4010402 3/4" (H)

Type: DCDA
Size: 8
Manual: 8
Approved: 13-Apr-1993
Shutoffs: uu,cc,mm
Notes: formerly 4060E03

Manufacturer: Apollo/Conbraco
Orientation: H
0.25% Pb: No
Renewed: 13-Apr-2014

Model: 4060EE3
Meters: (M),A,B,C,D,E,F,G,H,I,J,K,L,N,O,P,Q
Spare Parts Only: Yes
Bypass: Apollo/Conbraco 4010402 3/4" (H)

Type: DCDA
Size: 8
Manual: 8
Approved: 01-Feb-2000
Shutoffs: mm[#1SOV], nnn[#2SOV]

Manufacturer: Apollo/Conbraco
Orientation: H
0.25% Pb: No
Renewed: 01-Feb-2015

Model: 4060EE6
Meters: (M),A,B,C,D,E,F,G,H,I,J,K,L,N,O,P,Q
Spare Parts Only: Yes
Bypass: Apollo/Conbraco 4010402 3/4" (H)

Type: DCDA
Size: 10
Manual:
Approved:
Notes: model designation changed to 4060GC3

Manufacturer: Apollo/Conbraco
Orientation:
0.25% Pb: No
Renewed:

Model: 4060G03
Meters:
Spare Parts Only: No
Bypass:

Type: DCDA	Manufacturer: Apollo/Conbraco	Model: 4060G03
Size: 10	Orientation:	Meters:
Manual:	0.25% Pb: No	Spare Parts Only: No
Approved:	Renewed:	Bypass:
Notes: model designation changed to 4060GE3		
<hr/>		
Type: DCDA	Manufacturer: Apollo/Conbraco	Model: 4060GC3
Size: 10	Orientation: H	Meters: (M),A,B,C,D,E,F,G,H,I,J,K,L,N,O,P,Q
Manual: 8	0.25% Pb: No	Spare Parts Only: Yes
Approved: 13-Apr-1993	Renewed: 13-Apr-2014	Bypass: Apollo/Conbraco 4010402 3/4" (H)
Shutoffs: uu,cc,mm		
Notes: formerly 4060G03		
<hr/>		
Type: DCDA	Manufacturer: Apollo/Conbraco	Model: 4060GC6
Size: 10	Orientation: H	Meters: (M),A,B,C,D,E,F,G,H,I,J,K,L,N,O,P,Q
Manual: 8	0.25% Pb: No	Spare Parts Only: Yes
Approved: 01-Feb-2000	Renewed: 01-Feb-2015	Bypass: Apollo/Conbraco 4010402 3/4" (H)
Shutoffs: mm[#1SOV], nnn[#2SOV]		
<hr/>		
Type: DCDA	Manufacturer: Apollo/Conbraco	Model: 4060GE3
Size: 10	Orientation: H	Meters: (M),A,B,C,D,E,F,G,H,I,J,K,L,N,O,P,Q
Manual: 8	0.25% Pb: No	Spare Parts Only: Yes
Approved: 12-Apr-1993	Renewed: 13-Mar-2014	Bypass: Apollo/Conbraco 4010402 3/4" (H)
Shutoffs: uu,cc,mm		
Notes: formerly 4060G03		
<hr/>		
Type: DCDA	Manufacturer: Apollo/Conbraco	Model: 4060GE6
Size: 10	Orientation: H	Meters: (M),A,B,C,D,E,F,G,H,I,J,K,L,N,O,P,Q
Manual: 8	0.25% Pb: No	Spare Parts Only: Yes
Approved: 01-Feb-2000	Renewed: 01-Feb-2015	Bypass: Apollo/Conbraco 4010402 3/4" (H)
Shutoffs: mm[#1SOV], nnn[#2SOV]		

Type: DCDA **Manufacturer:** Apollo/Conbraco **Model:** 4DCDA
Size: 4 **Orientation:** H **Meters:** (M),E,F,G,H,I,J,K,L,N,O,P,Q
Manual: 9 **0.25% Pb:** No **Spare Parts Only:** No
Approved: 16-Oct-2000 **Renewed:** 16-Oct-2012 **Bypass:** Apollo/Conbraco 1/2DC 1/2"
(H), Apollo/Conbraco W432100 1/2" (H)
Shutoffs: (ll),mm

Type: DCDA **Manufacturer:** Apollo/Conbraco **Model:** 4DCDA
Size: 4 **Orientation:** VU **Meters:** (M),E,F,G,H,I,J,K,L,N,O,P,Q
Manual: 9 **0.25% Pb:** No **Spare Parts Only:** No
Approved: 16-Oct-2000 **Renewed:** 16-Oct-2012 **Bypass:** Apollo/Conbraco 1/2DC 1/2"
(VU), Apollo/Conbraco W432100 1/2"
(VU)
Shutoffs: (ll),mm

Type: DCDA **Manufacturer:** Apollo/Conbraco **Model:** 4DCDA6
Size: 4 **Orientation:** H **Meters:** (M),E,F,G,H,I,J,K,L,N,O,P,Q
Manual: 9 **0.25% Pb:** No **Spare Parts Only:** No
Approved: 10-Apr-2001 **Renewed:** 10-Apr-2013 **Bypass:** Apollo/Conbraco 1/2DC 1/2"
(H), Apollo/Conbraco W432100 1/2" (H)
Shutoffs: (mm)[#1SOV],[nnn][#2SOV]

Type: DCDA **Manufacturer:** Apollo/Conbraco **Model:** 4DCDA6
Size: 4 **Orientation:** VU **Meters:** (M),E,F,G,H,I,J,K,L,N,O,P,Q
Manual: 9 **0.25% Pb:** No **Spare Parts Only:** No
Approved: 10-Apr-2001 **Renewed:** 10-Apr-2013 **Bypass:** Apollo/Conbraco 1/2DC 1/2"
(VU), Apollo/Conbraco W432100 1/2"
(VU)
Shutoffs: (mm)[#1SOV],[nnn][#2SOV]

Type: DCDA **Manufacturer:** Apollo/Conbraco **Model:** 4DCDA7
Size: 4 **Orientation:** H **Meters:** (M),E,F,G,H,I,J,K,L,N,O,P,Q
Manual: 9 **0.25% Pb:** No **Spare Parts Only:** No
Approved: 29-Sep-2004 **Renewed:** 29-Sep-2013 **Bypass:** Apollo/Conbraco 1/2DC 1/2"
(H), Apollo/Conbraco W432100 1/2" (H)
Shutoffs: (mm)[#1SOV], (qqq)[#2SOV]

Type: DCDA
Size: 4
Manual: 9
Approved: 29-Sep-2004
Shutoffs: (mm)[#1SOV], (qqq)[#2SOV]

Manufacturer: Apollo/Conbraco
Orientation: VU
0.25% Pb: No
Renewed: 29-Sep-2013

Model: 4DCDA7
Meters: (M),E,F,G,H,I,J,K,L,N,O,P,Q
Spare Parts Only: No
Bypass: Apollo/Conbraco 1/2DC 1/2" (VU), Apollo/Conbraco W432100 1/2" (VU)

Type: DCDA
Size: 4
Manual: 9
Approved: 29-Sep-2004
Shutoffs: (ppp),qqq

Manufacturer: Apollo/Conbraco
Orientation: H
0.25% Pb: No
Renewed: 29-Sep-2013

Model: 4DCDA8
Meters: (M),E,F,G,H,I,J,K,L,N,O,P,Q
Spare Parts Only: No
Bypass: Apollo/Conbraco 1/2DC 1/2" (H), Apollo/Conbraco W432100 1/2" (H)

Type: DCDA
Size: 4
Manual: 9
Approved: 29-Sep-2004
Shutoffs: (ppp),qqq

Manufacturer: Apollo/Conbraco
Orientation: VU
0.25% Pb: No
Renewed: 29-Sep-2013

Model: 4DCDA8
Meters: (M),E,F,G,H,I,J,K,L,N,O,P,Q
Spare Parts Only: No
Bypass: Apollo/Conbraco 1/2DC 1/2" (VU), Apollo/Conbraco W432100 1/2" (VU)

Type: DCDA
Size: 4
Manual: 9
Approved: 10-Apr-2001
Shutoffs: (ll),mm

Manufacturer: Apollo/Conbraco
Orientation: VUVD
0.25% Pb: No
Renewed: 10-Apr-2013

Model: 4DCDAU
Meters: (M),E,F,G,H,I,J,K,L,N,O,P,Q
Spare Parts Only: No
Bypass: Apollo/Conbraco 1/2DC 1/2" (H), Apollo/Conbraco W432100 1/2" (H)

Type: DCDA
Size: 2 1/2
Manual:
Approved:
Notes: model designation changed to DCDA4SGN

Manufacturer: Apollo/Conbraco
Orientation:
0.25% Pb: No
Renewed:

Model: 4SG 600U
Meters:
Spare Parts Only: No
Bypass:

Type: DCDA
Size: 3
Manual:
Approved:
Notes: model designation changed to DCDA4SGN

Manufacturer: Apollo/Conbraco
Orientation:
0.25% Pb: No
Renewed:

Model: 4SG 600U
Meters:
Spare Parts Only: No
Bypass:

Type: DCDA **Manufacturer:** Apollo/Conbraco **Model:** 4SG 600U
Size: 4 **Orientation:** **Meters:**
Manual: **0.25% Pb:** No **Spare Parts Only:** No
Approved: **Renewed:** **Bypass:**
Notes: model designation changed to DCDA4SGN

Type: DCDA **Manufacturer:** Apollo/Conbraco **Model:** 4SG 600U
Size: 6 **Orientation:** **Meters:**
Manual: **0.25% Pb:** No **Spare Parts Only:** No
Approved: **Renewed:** **Bypass:**
Notes: model designation changed to DCDA4SGN

Type: DCDA **Manufacturer:** Apollo/Conbraco **Model:** 4SG 600U
Size: 8 **Orientation:** **Meters:**
Manual: **0.25% Pb:** No **Spare Parts Only:** No
Approved: **Renewed:** **Bypass:**
Notes: model designation changed to DCDA4SGN

Type: DCDA **Manufacturer:** Apollo/Conbraco **Model:** 4SG-600
Size: 2 1/2 **Orientation:** **Meters:**
Manual: **0.25% Pb:** No **Spare Parts Only:** No
Approved: **Renewed:** **Bypass:**
Notes: model designation changed to DCDA4SG

Type: DCDA **Manufacturer:** Apollo/Conbraco **Model:** 4SG-600
Size: 2 1/2 **Orientation:** **Meters:**
Manual: **0.25% Pb:** No **Spare Parts Only:** No
Approved: **Renewed:** **Bypass:**
Notes: model designation changed to DCDA4SG

Type: DCDA **Manufacturer:** Apollo/Conbraco **Model:** 4SG-600
Size: 3 **Orientation:** **Meters:**
Manual: **0.25% Pb:** No **Spare Parts Only:** No
Approved: **Renewed:** **Bypass:**
Notes: model designation changed to DCDA4SG

Type: DCDA **Manufacturer:** Apollo/Conbraco **Model:** 4SG-600
Size: 3 **Orientation:** **Meters:**
Manual: **0.25% Pb:** No **Spare Parts Only:** No
Approved: **Renewed:** **Bypass:**
Notes: model designation changed to DCDA4SG

Type: DCDA **Manufacturer:** Apollo/Conbraco **Model:** 4SG-600
Size: 4 **Orientation:** **Meters:**
Manual: **0.25% Pb:** No **Spare Parts Only:** No
Approved: **Renewed:** **Bypass:**
Notes: model designation changed to DCDA4SG

Type: DCDA **Manufacturer:** Apollo/Conbraco **Model:** 4SG-600
Size: 4 **Orientation:** **Meters:**
Manual: **0.25% Pb:** No **Spare Parts Only:** No
Approved: **Renewed:** **Bypass:**
Notes: model designation changed to DCDA4SG

Type: DCDA **Manufacturer:** Apollo/Conbraco **Model:** 4SG-600
Size: 6 **Orientation:** **Meters:**
Manual: **0.25% Pb:** No **Spare Parts Only:** No
Approved: **Renewed:** **Bypass:**
Notes: model designation changed to DCDA4SG

Type: DCDA **Manufacturer:** Apollo/Conbraco **Model:** 4SG-600
Size: 6 **Orientation:** **Meters:**
Manual: **0.25% Pb:** No **Spare Parts Only:** No
Approved: **Renewed:** **Bypass:**
Notes: model designation changed to DCDA4SG

Type: DCDA **Manufacturer:** Apollo/Conbraco **Model:** 4SG-600
Size: 8 **Orientation:** **Meters:**
Manual: **0.25% Pb:** No **Spare Parts Only:** No
Approved: **Renewed:** **Bypass:**
Notes: model designation changed to DCDA4SG

Type: DCDA **Manufacturer:** Apollo/Conbraco **Model:** 4SG-600
Size: 8 **Orientation:** **Meters:**
Manual: **0.25% Pb:** No **Spare Parts Only:** No
Approved: **Renewed:** **Bypass:**
Notes: model designation changed to DCDA4SG

Type: DCDA **Manufacturer:** Apollo/Conbraco **Model:** 6DCDA
Size: 6 **Orientation:** H **Meters:** (M),E,F,G,H,I,J,K,L,N,O,P,Q
Manual: 9 **0.25% Pb:** No **Spare Parts Only:** No
Approved: 16-Oct-2000 **Renewed:** 16-Oct-2012 **Bypass:** Apollo/Conbraco 1/2DC 1/2"
(H), Apollo/Conbraco W432100 1/2" (H)
Shutoffs: (ll),mm

Type: DCDA **Manufacturer:** Apollo/Conbraco **Model:** 6DCDA
Size: 6 **Orientation:** VU **Meters:** (M),E,F,G,H,I,J,K,L,N,O,P,Q
Manual: 9 **0.25% Pb:** No **Spare Parts Only:** No
Approved: 16-Oct-2000 **Renewed:** 16-Oct-2012 **Bypass:** Apollo/Conbraco 1/2DC 1/2"
(VU), Apollo/Conbraco W432100 1/2"
(VU)
Shutoffs: (ll),mm

Type: DCDA **Manufacturer:** Apollo/Conbraco **Model:** 6DCDA6
Size: 6 **Orientation:** H **Meters:** (M),E,F,G,H,I,J,K,L,N,O,P,Q
Manual: 9 **0.25% Pb:** No **Spare Parts Only:** No
Approved: 10-Apr-2001 **Renewed:** 10-Apr-2013 **Bypass:** Apollo/Conbraco 1/2DC 1/2"
(H), Apollo/Conbraco W432100 1/2" (H)
Shutoffs: (mm)[#1SOV],(nnn)[#2SOV]

Type: DCDA **Manufacturer:** Apollo/Conbraco **Model:** 6DCDA6
Size: 6 **Orientation:** VU **Meters:** (M),E,F,G,H,I,J,K,L,N,O,P,Q
Manual: 9 **0.25% Pb:** No **Spare Parts Only:** No
Approved: 10-Apr-2001 **Renewed:** 10-Apr-2013 **Bypass:** Apollo/Conbraco 1/2DC 1/2"
(VU), Apollo/Conbraco W432100 1/2"
(VU)
Shutoffs: (mm)[#1SOV],(nnn)[#2SOV]

Type: DCDA **Manufacturer:** Apollo/Conbraco **Model:** 6DCDA7
Size: 6 **Orientation:** H **Meters:** (M),E,F,G,H,I,J,K,L,N,O,P,Q
Manual: 9 **0.25% Pb:** No **Spare Parts Only:** No
Approved: 29-Sep-2004 **Renewed:** 29-Sep-2013 **Bypass:** Apollo/Conbraco 1/2DC 1/2"
(H), Apollo/Conbraco W432100 1/2" (H)
Shutoffs: (mm)[#1SOV], (qqq)[#2SOV]

Type: DCDA **Manufacturer:** Apollo/Conbraco **Model:** 6DCDA7
Size: 6 **Orientation:** VU **Meters:** (M),E,F,G,H,I,J,K,L,N,O,P,Q
Manual: 9 **0.25% Pb:** No **Spare Parts Only:** No
Approved: 29-Sep-2004 **Renewed:** 29-Sep-2013 **Bypass:** Apollo/Conbraco 1/2DC 1/2"
(VU), Apollo/Conbraco W432100 1/2"
(VU)
Shutoffs: (mm)[#1SOV], (qqq)[#2SOV]

Type: DCDA **Manufacturer:** Apollo/Conbraco **Model:** 6DCDA8
Size: 6 **Orientation:** H **Meters:** (M),E,F,G,H,I,J,K,L,N,O,P,Q
Manual: 9 **0.25% Pb:** No **Spare Parts Only:** No
Approved: 29-Sep-2004 **Renewed:** 29-Sep-2013 **Bypass:** Apollo/Conbraco 1/2DC 1/2"
(H), Apollo/Conbraco W432100 1/2" (H)
Shutoffs: (ppp),qqq

Type: DCDA **Manufacturer:** Apollo/Conbraco **Model:** 6DCDA8
Size: 6 **Orientation:** VU **Meters:** (M),E,F,G,H,I,J,K,L,N,O,P,Q
Manual: 9 **0.25% Pb:** No **Spare Parts Only:** No
Approved: 29-Sep-2004 **Renewed:** 29-Sep-2013 **Bypass:** Apollo/Conbraco 1/2DC 1/2"
(VU), Apollo/Conbraco W432100 1/2"
(VU)
Shutoffs: (ppp),qqq

Type: DCDA **Manufacturer:** Apollo/Conbraco **Model:** 6DCDAU
Size: 6 **Orientation:** VUVD **Meters:** (M),E,F,G,H,I,J,K,L,N,O,P,Q
Manual: 9 **0.25% Pb:** No **Spare Parts Only:** No
Approved: 10-Apr-2001 **Renewed:** 10-Apr-2013 **Bypass:** Apollo/Conbraco 1/2DC 1/2"
(H), Apollo/Conbraco W432100 1/2" (H)
Shutoffs: (ll),mm

Type: DCDA **Manufacturer:** Apollo/Conbraco **Model:** 8DCDA
Size: 8 **Orientation:** H **Meters:** (M),F,G,H,I,J,K,L,N,O,P,Q
Manual: 9 **0.25% Pb:** No **Spare Parts Only:** No
Approved: 16-Jan-2003 **Renewed:** 16-Jan-2015 **Bypass:** Apollo/Conbraco 1/2DC 1/2"
(H), Apollo/Conbraco W432100 1/2" (H)
Shutoffs: (mm),ll

Type: DCDA **Manufacturer:** Apollo/Conbraco **Model:** 8DCDA
Size: 8 **Orientation:** VU **Meters:** (M),F,G,H,I,J,K,L,N,O,P,Q
Manual: 9 **0.25% Pb:** No **Spare Parts Only:** No

Approved: 16-Jan-2003 **Renewed:** 16-Jan-2015 **Bypass:** Apollo/Conbraco 1/2DC 1/2"
(VU), Apollo/Conbraco W432100 1/2"
(VU)

Shutoffs: (mm),ll

Type: DCDA **Manufacturer:** Apollo/Conbraco **Model:** 8DCDA7
Size: 8 **Orientation:** H **Meters:** (M),F,G,H,I,J,K,L,N,O,P,Q
Manual: 9 **0.25% Pb:** No **Spare Parts Only:** No

Approved: 29-Sep-2004 **Renewed:** 29-Sep-2013 **Bypass:** Apollo/Conbraco 1/2DC 1/2"
(H), Apollo/Conbraco W432100 1/2" (H)

Shutoffs: (mm)[#1SOV], (qqq)[#2SOV]

Type: DCDA **Manufacturer:** Apollo/Conbraco **Model:** 8DCDA7
Size: 8 **Orientation:** VU **Meters:** (M),F,G,H,I,J,K,L,N,O,P,Q
Manual: 9 **0.25% Pb:** No **Spare Parts Only:** No

Approved: 29-Sep-2004 **Renewed:** 29-Sep-2013 **Bypass:** Apollo/Conbraco 1/2DC 1/2"
(VU), Apollo/Conbraco W432100 1/2"
(VU)

Shutoffs: (mm)[#1SOV], (qqq)[#2SOV]

Type: DCDA **Manufacturer:** Apollo/Conbraco **Model:** 8DCDA8
Size: 8 **Orientation:** H **Meters:** (M),E,F,G,H,I,J,K,L,N,O,P,Q
Manual: 9 **0.25% Pb:** No **Spare Parts Only:** No

Approved: 29-Sep-2004 **Renewed:** 29-Sep-2013 **Bypass:** Apollo/Conbraco 1/2DC 1/2"
(H), Apollo/Conbraco W432100 1/2" (H)

Shutoffs: (ppp),qqq

Type: DCDA **Manufacturer:** Apollo/Conbraco **Model:** 8DCDA8
Size: 8 **Orientation:** VU **Meters:** (M),E,F,G,H,I,J,K,L,N,O,P,Q
Manual: 9 **0.25% Pb:** No **Spare Parts Only:** No

Approved: 29-Sep-2004 **Renewed:** 29-Sep-2013 **Bypass:** Apollo/Conbraco 1/2DC 1/2"
(VU), Apollo/Conbraco W432100 1/2"
(VU)

Shutoffs: (ppp),qqq

Type: DCDA	Manufacturer: Apollo/Conbraco	Model: DCDA4S
Size: 10	Orientation: H	Meters: (M),F,G,H,I,J,K,L,N,O,P,Q
Manual: 9	0.25% Pb: No	Spare Parts Only: No
Approved: 16-Jan-2003	Renewed: 16-Jan-2015	Bypass: Apollo/Conbraco 1/2DC 1/2" (H), Apollo/Conbraco W432100 1/2" (H)
Shutoffs: (mm),ll		
Notes: formerly 10DCDA		

Type: DCDA	Manufacturer: Apollo/Conbraco	Model: DCDA4S
Size: 10	Orientation: VU	Meters: (M),F,G,H,I,J,K,L,N,O,P,Q
Manual: 9	0.25% Pb: No	Spare Parts Only: No
Approved: 16-Jan-2003	Renewed: 16-Jan-2015	Bypass: Apollo/Conbraco 1/2DC 1/2" (VU), Apollo/Conbraco W432100 1/2" (VU)
Shutoffs: (mm),ll		
Notes: formerly 10DCDA		

Type: DCDA	Manufacturer: Apollo/Conbraco	Model: DCDA4SG
Size: 2 1/2	Orientation: H	Meters: (M),E,F,G,H,I,J,K,L,M,N,O,P,Q
Manual: 9	0.25% Pb: No	Spare Parts Only: No
Approved: 18-Oct-2007	Renewed: 18-Oct-2013	Bypass: Apollo/Conbraco 4S103 1/2" (H), Apollo/Conbraco W432100 1/2" (H)
Shutoffs: (yyy)ppp,qqq,ttt		
Notes: formerly 4SG-600		

Type: DCDA	Manufacturer: Apollo/Conbraco	Model: DCDA4SG
Size: 2 1/2	Orientation: VU	Meters: (M),E,F,G,H,I,J,K,L,M,N,O,P,Q
Manual: 9	0.25% Pb: No	Spare Parts Only: No
Approved: 18-Oct-2007	Renewed: 18-Oct-2013	Bypass: Apollo/Conbraco 4S103 1/2" (VU), Apollo/Conbraco W432100 1/2" (V)
Shutoffs: (yyy)ppp,qqq,ttt		
Notes: formerly 4SG-600		

Type: DCDA	Manufacturer: Apollo/Conbraco	Model: DCDA4SG
Size: 3	Orientation: H	Meters: (M),E,F,G,H,I,J,K,L,M,N,O,P,Q
Manual: 9	0.25% Pb: No	Spare Parts Only: No
Approved: 18-Oct-2007	Renewed: 18-Oct-2013	Bypass: Apollo/Conbraco 4S103 1/2" (H), Apollo/Conbraco W432100 1/2" (H)
Shutoffs: (yyy)ppp,qqq,ttt		
Notes: formerly 4SG-600		

Type: DCDA	Manufacturer: Apollo/Conbraco	Model: DCDA4SG
Size: 3	Orientation: VU	Meters: (M),E,F,G,H,I,J,K,L,M,N,O,P,Q
Manual: 9	0.25% Pb: No	Spare Parts Only: No
Approved: 18-Oct-2007	Renewed: 18-Oct-2013	Bypass: Apollo/Conbraco 4S103 1/2" (VU), Apollo/Conbraco W432100 1/2" (V)
Shutoffs: (yyy)ppp,qqq,ttt		
Notes: formerly 4SG-600		

Type: DCDA	Manufacturer: Apollo/Conbraco	Model: DCDA4SG
Size: 4	Orientation: H	Meters: (M),E,F,G,H,I,J,K,L,M,N,O,P,Q
Manual: 9	0.25% Pb: No	Spare Parts Only: No
Approved: 18-Oct-2007	Renewed: 18-Oct-2013	Bypass: Apollo/Conbraco 4S103 1/2" (H), Apollo/Conbraco W432100 1/2" (H)
Shutoffs: (yyy)ppp,qqq,ttt		
Notes: formerly 4SG-600		

Type: DCDA	Manufacturer: Apollo/Conbraco	Model: DCDA4SG
Size: 4	Orientation: VU	Meters: (M),E,F,G,H,I,J,K,L,M,N,O,P,Q
Manual: 9	0.25% Pb: No	Spare Parts Only: No
Approved: 18-Oct-2007	Renewed: 18-Oct-2013	Bypass: Apollo/Conbraco 4S103 1/2" (VU), Apollo/Conbraco W432100 1/2" (V)
Shutoffs: (yyy)ppp,qqq,ttt		
Notes: formerly 4SG-600		

Type: DCDA	Manufacturer: Apollo/Conbraco	Model: DCDA4SG
Size: 6	Orientation: H	Meters: (M),E,F,G,H,I,J,K,L,M,N,O,P,Q
Manual: 9	0.25% Pb: No	Spare Parts Only: No
Approved: 18-Oct-2007	Renewed: 18-Oct-2013	Bypass: Apollo/Conbraco 4S103 1/2" (H), Apollo/Conbraco W432100 1/2" (H)
Shutoffs: (yyy)ppp,qqq,ttt		
Notes: formerly 4SG-600		

Type: DCDA	Manufacturer: Apollo/Conbraco	Model: DCDA4SG
Size: 6	Orientation: VU	Meters: (M),E,F,G,H,I,J,K,L,M,N,O,P,Q
Manual: 9	0.25% Pb: No	Spare Parts Only: No
Approved: 18-Oct-2007	Renewed: 18-Oct-2013	Bypass: Apollo/Conbraco 4S103 1/2" (VU), Apollo/Conbraco W432100 1/2" (V)
Shutoffs: (yyy)ppp,qqq,ttt		
Notes: formerly 4SG-600		

Type: DCDA	Manufacturer: Apollo/Conbraco	Model: DCDA4SG
Size: 8	Orientation: H	Meters: (M),E,F,G,H,I,J,K,L,M,N,O,P,Q
Manual: 9	0.25% Pb: No	Spare Parts Only: No
Approved: 18-Oct-2007	Renewed: 18-Oct-2013	Bypass: Apollo/Conbraco 4S103 1/2" (H), Apollo/Conbraco W432100 1/2" (H)
Shutoffs: (yyy)ppp,qqq,ttt		
Notes: formerly 4SG-600		

Type: DCDA	Manufacturer: Apollo/Conbraco	Model: DCDA4SG
Size: 8	Orientation: VU	Meters: (M),E,F,G,H,I,J,K,L,M,N,O,P,Q
Manual: 9	0.25% Pb: No	Spare Parts Only: No
Approved: 18-Oct-2007	Renewed: 18-Oct-2013	Bypass: Apollo/Conbraco 4S103 1/2" (VU), Apollo/Conbraco W432100 1/2" (V)
Shutoffs: (yyy)ppp,qqq,ttt		
Notes: formerly 4SG-600		

Type: DCDA	Manufacturer: Apollo/Conbraco	Model: DCDA4SGN
Size: 2 1/2	Orientation: VUVD	Meters: (M),E,F,G,H,I,J,K,L,M,N,O,P,Q
Manual: 9	0.25% Pb: No	Spare Parts Only: No
Approved: 18-Oct-2007	Renewed: 18-Oct-2013	Bypass: Apollo/Conbraco 4S103 1/2" (H), Apollo/Conbraco W432100 1/2" (H)
Shutoffs: (yyy)ppp,qqq,ttt		
Notes: formerly 4SG 600U		

Type: DCDA	Manufacturer: Apollo/Conbraco	Model: DCDA4SGN
Size: 3	Orientation: VUVD	Meters: (M),E,F,G,H,I,J,K,L,M,N,O,P,Q
Manual: 9	0.25% Pb: No	Spare Parts Only: No
Approved: 18-Oct-2007	Renewed: 18-Oct-2013	Bypass: Apollo/Conbraco 4S103 1/2" (H), Apollo/Conbraco W432100 1/2" (H)
Shutoffs: (yyy)ppp,qqq,ttt		
Notes: formerly 4SG 600U		

Type: DCDA	Manufacturer: Apollo/Conbraco	Model: DCDA4SGN
Size: 4	Orientation: VUVD	Meters: (M),E,F,G,H,I,J,K,L,M,N,O,P,Q
Manual: 9	0.25% Pb: No	Spare Parts Only: No
Approved: 18-Oct-2007	Renewed: 18-Oct-2013	Bypass: Apollo/Conbraco 4S103 1/2" (H), Apollo/Conbraco W432100 1/2" (H)
Shutoffs: (yyy)ppp,qqq,ttt		
Notes: formerly 4SG 600U		

Type: DCDA
Size: 6
Manual: 9
Approved: 18-Oct-2007
Shutoffs: (yyy)ppp,qqq,ttt
Notes: formerly 4SG 600U

Manufacturer: Apollo/Conbraco
Orientation: VUVD
0.25% Pb: No
Renewed: 18-Oct-2013

Model: DCDA4SGN
Meters: (M),E,F,G,H,I,J,K,L,M,N,O,P,Q
Spare Parts Only: No
Bypass: Apollo/Conbraco 4S103 1/2"
(H), Apollo/Conbraco W432100 1/2" (H)

Type: DCDA
Size: 8
Manual: 9
Approved: 18-Oct-2007
Shutoffs: (yyy)ppp,qqq,ttt
Notes: formerly 4SG 600U

Manufacturer: Apollo/Conbraco
Orientation: VUVD
0.25% Pb: No
Renewed: 18-Oct-2013

Model: DCDA4SGN
Meters: (M),E,F,G,H,I,J,K,L,M,N,O,P,Q
Spare Parts Only: No
Bypass: Apollo/Conbraco 4S103 1/2"
(H), Apollo/Conbraco W432100 1/2" (H)

Type: DCDA
Size: 2 1/2
Manual: 10
Approved: 30-Oct-2013
Shutoffs: (yyy), cccc, dddd, mmmm, nnnn

Manufacturer: Apollo/Conbraco
Orientation: H
0.25% Pb: Yes
Renewed:

Model: DCDALF4A
Meters: (P),G,H,I,J,K,L,M,N,O,Q
Spare Parts Only: No
Bypass: Apollo DCLF4A 1/2" (H)

Type: DCDA
Size: 2 1/2
Manual: 10
Approved: 30-Oct-2013
Shutoffs: (yyy), cccc, dddd, mmmm, nnnn

Manufacturer: Apollo/Conbraco
Orientation: VU
0.25% Pb: Yes
Renewed:

Model: DCDALF4A
Meters: (P),G,H,I,J,K,L,M,N,O,Q
Spare Parts Only: No
Bypass: Apollo DCLF4A 1/2" (VU)

Type: DCDA
Size: 3
Manual: 10
Approved: 30-Oct-2013
Shutoffs: (yyy), cccc, dddd, mmmm, nnnn

Manufacturer: Apollo/Conbraco
Orientation: H
0.25% Pb: Yes
Renewed:

Model: DCDALF4A
Meters: (P),G,H,I,J,K,L,M,N,O,Q
Spare Parts Only: No
Bypass: Apollo DCLF4A 1/2" (H)

Type: DCDA
Size: 3
Manual: 10
Approved: 30-Oct-2013
Shutoffs: (yyy), cccc, dddd, mmmm, nnnn

Manufacturer: Apollo/Conbraco
Orientation: VU
0.25% Pb: Yes
Renewed:

Model: DCDALF4A
Meters: (P),G,H,I,J,K,L,M,N,O,Q
Spare Parts Only: No
Bypass: Apollo DCLF4A 1/2" (VU)

Type: DCDA **Manufacturer:** Apollo/Conbraco **Model:** DCDALF4A
Size: 4 **Orientation:** H **Meters:** (P),G,H,I,J,K,L,M,N,O,Q
Manual: 10 **0.25% Pb:** Yes **Spare Parts Only:** No
Approved: 24-Jun-2013 **Renewed:** **Bypass:** Apollo DCLF4A 1/2" (H)
Shutoffs: (yyy), cccc, dddd, mmmm, nnnn

Type: DCDA **Manufacturer:** Apollo/Conbraco **Model:** DCDALF4A
Size: 4 **Orientation:** VU **Meters:** (P),G,H,I,J,K,L,M,N,O,Q
Manual: 10 **0.25% Pb:** Yes **Spare Parts Only:** No
Approved: 24-Jun-2013 **Renewed:** **Bypass:** Apollo DCLF4A 1/2" (VU)
Shutoffs: (yyy), cccc, dddd, mmmm, nnnn

Type: DCDA **Manufacturer:** Apollo/Conbraco **Model:** DCDALF4A
Size: 6 **Orientation:** H **Meters:** (P),G,H,I,J,K,L,M,N,O,Q
Manual: 10 **0.25% Pb:** Yes **Spare Parts Only:** No
Approved: 24-Jun-2013 **Renewed:** **Bypass:** Apollo DCLF4A 1/2" (H)
Shutoffs: (yyy), cccc, dddd, mmmm, nnnn

Type: DCDA **Manufacturer:** Apollo/Conbraco **Model:** DCDALF4A
Size: 6 **Orientation:** VU **Meters:** (P),G,H,I,J,K,L,M,N,O,Q
Manual: 10 **0.25% Pb:** Yes **Spare Parts Only:** No
Approved: 24-Jun-2013 **Renewed:** **Bypass:** Apollo DCLF4A 1/2" (VU)
Shutoffs: (yyy), cccc, dddd, mmmm, nnnn

Type: DCDA **Manufacturer:** Apollo/Conbraco **Model:** DCDALF4A
Size: 8 **Orientation:** H **Meters:** (P),G,H,I,J,K,L,M,N,O,Q
Manual: 10 **0.25% Pb:** Yes **Spare Parts Only:** No
Approved: 15-May-2014 **Renewed:** **Bypass:** Apollo DCLF4A 1/2" (H)
Shutoffs: (yyy), cccc, dddd, mmmm, nnnn

Type: DCDA **Manufacturer:** Apollo/Conbraco **Model:** DCDALF4A
Size: 8 **Orientation:** VU **Meters:** (P),G,H,I,J,K,L,M,N,O,Q
Manual: 10 **0.25% Pb:** Yes **Spare Parts Only:** No
Approved: 15-May-2014 **Renewed:** **Bypass:** Apollo DCLF4A 1/2" (VU)
Shutoffs: (yyy), cccc, dddd, mmmm, nnnn

Type: DCDA **Manufacturer:** Apollo/Conbraco **Model:** DCDALF4AN
Size: 2 1/2 **Orientation:** VUVD **Meters:** (P),G,H,I,J,K,L,M,N,O,Q
Manual: 10 **0.25% Pb:** Yes **Spare Parts Only:** No
Approved: 10-Jun-2014 **Renewed:** **Bypass:** Apollo DCLF4A 1/2" (H)
Shutoffs: (yyy), cccc, dddd, mmmm, nnnn

Type: DCDA **Manufacturer:** Apollo/Conbraco **Model:** DCDALF4AN
Size: 3 **Orientation:** VUVD **Meters:** (P),G,H,I,J,K,L,M,N,O,Q
Manual: 10 **0.25% Pb:** Yes **Spare Parts Only:** No
Approved: 08-Apr-2014 **Renewed:** **Bypass:** Apollo DCLF4A 1/2" (H)
Shutoffs: (yyy), cccc, dddd, mmmm, nnnn

Type: DCDA **Manufacturer:** Apollo/Conbraco **Model:** DCDALF4AN
Size: 4 **Orientation:** VUVD **Meters:** (P),G,H,I,J,K,L,M,N,O,Q
Manual: 10 **0.25% Pb:** Yes **Spare Parts Only:** No
Approved: 23-Jan-2014 **Renewed:** **Bypass:** Apollo DCLF4A 1/2" (H)
Shutoffs: (yyy), cccc, dddd, mmmm, nnnn

Type: DCDA **Manufacturer:** Apollo/Conbraco **Model:** DCDALF4AN
Size: 6 **Orientation:** VUVD **Meters:** (P),G,H,I,J,K,L,M,N,O,Q
Manual: 10 **0.25% Pb:** Yes **Spare Parts Only:** No
Approved: 10-Jun-2014 **Renewed:** **Bypass:** Apollo DCLF4A 1/2" (H)
Shutoffs: (yyy), cccc, dddd, mmmm, nnnn

Type: DCDA **Manufacturer:** Apollo/Conbraco **Model:** DCDALF4AN
Size: 8 **Orientation:** VUVD **Meters:** **Spare Parts Only:** No
Manual: 10 **0.25% Pb:** Yes **Bypass:**
Approved: 14-Mar-2014 **Renewed:** **Bypass:**
Shutoffs: (yyy), cccc, dddd, mmmm, nnnn

Type: DCDA **Manufacturer:** Apollo/Conbraco **Model:** DCDALF4AR
Size: 4 **Orientation:** H **Meters:** (M),G,H,I,J,K,L,N,O,Q
Manual: 10 **0.25% Pb:** No **Spare Parts Only:** No
Approved: 21-Sep-2015 **Renewed:** **Bypass:** Apollo/Conbraco DCLF4A 1/2" (H)
Shutoffs: (cccc), dddd, mmmm, nnnn
Notes: Integral Stainless Steel grooved spool between the #2 ck and #2 SOV - assembly length: min. 52 5/8" and max. 100 5/8"

Type: DCDA **Manufacturer:** Apollo/Conbraco **Model:** DCDALF4AR
Size: 4 **Orientation:** VU **Meters:** (M),G,H,I,J,K,L,N,O,Q
Manual: 10 **0.25% Pb:** No **Spare Parts Only:** No
Approved: 21-Sep-2015 **Renewed:** **Bypass:** Apollo/Conbraco DCLF4A 1/2" (VU)
Shutoffs: (cccc), dddd, mmmm, nnnn
Notes: Integral Stainless Steel grooved spool between the #2 ck and #2 SOV - assembly length: min. 31" and max. 47 1/8"

Type: DCDA **Manufacturer:** Apollo/Conbraco **Model:** DCDALF4AR
Size: 6 **Orientation:** H **Meters:** (M),G,H,I,J,K,L,N,O,Q
Manual: 10 **0.25% Pb:** No **Spare Parts Only:** No
Approved: 21-Sep-2015 **Renewed:** **Bypass:** Apollo/Conbraco DCLF4A 1/2" (H)
Shutoffs: (cccc), dddd, mmmm, nnnn
Notes: Integral Stainless Steel grooved spool between the #2 ck and #2 SOV - assembly length: min. 31 1/2" and max. 48 1/8"

Type: DCDA **Manufacturer:** Apollo/Conbraco **Model:** DCDALF4AR
Size: 6 **Orientation:** VU **Meters:** (M),G,H,I,J,K,L,N,O,Q
Manual: 10 **0.25% Pb:** No **Spare Parts Only:** No
Approved: 21-Sep-2015 **Renewed:** **Bypass:** Apollo/Conbraco DCLF4A 1/2" (VU)
Shutoffs: (cccc), dddd, mmmm, nnnn
Notes: Integral Stainless Steel grooved spool between the #2 ck and #2 SOV - assembly length: min. 32 5/8" and max. 62 1/4"

Type: DCDA **Manufacturer:** Conbraco **Model:**
Size: **Orientation:** **Meters:**
Manual: **0.25% Pb:** No **Spare Parts Only:** No
Approved: **Renewed:** **Bypass:**
Notes: See Apollo/Conbraco

Type: DCDA **Manufacturer:** Febco **Model:** 806 Type YD
Size: 3 **Orientation:** **Meters:**
Manual: **0.25% Pb:** No **Spare Parts Only:** No
Approved: **Renewed:** **Bypass:**
Notes: model designation changed to 806YD

Type: DCDA **Manufacturer:** Febco **Model:** 806 Type YD
Size: 4 **Orientation:** **Meters:**
Manual: **0.25% Pb:** No **Spare Parts Only:** No
Approved: **Renewed:** **Bypass:**
Notes: model designation changed to 806YD

Type: DCDA **Manufacturer:** Febco **Model:** 806 Type YD
Size: 6 **Orientation:** **Meters:**
Manual: **0.25% Pb:** No **Spare Parts Only:** No
Approved: **Renewed:** **Bypass:**
Notes: model designation changed to 806YD

Type: DCDA **Manufacturer:** Febco **Model:** 806 Type YD
Size: 8 **Orientation:** **Meters:**
Manual: **0.25% Pb:** No **Spare Parts Only:** No
Approved: **Renewed:** **Bypass:**
Notes: model designation changed to 806YD

Type: DCDA **Manufacturer:** Febco **Model:** 806 Type YD
Size: 10 **Orientation:** **Meters:**
Manual: **0.25% Pb:** No **Spare Parts Only:** No
Approved: **Renewed:** **Bypass:**
Notes: model designation changed to 806YD

Type: DCDA **Manufacturer:** Febco **Model:** 806YD
Size: 3 **Orientation:** H **Meters:**
Manual: 8 **0.25% Pb:** No (M),B,C,D,E,F,G,H,I,J,K,L,N,O,P,Q
Approved: 26-Sep-1988 **Renewed:** 26-Sep-2015 **Spare Parts Only:** No
Shutoffs: (ff),mm,oo,pp,uu,zzz,ffff,gggg **Bypass:** Febco 805Y 3/4" (H), Febco
Notes: formerly 806 Type YD 805YB 3/4"(H)

Type: DCDA **Manufacturer:** Febco **Model:** 806YD
Size: 4 **Orientation:** H **Meters:**
Manual: 7 **0.25% Pb:** No (F),A,B,C,D,E,G,H,I,J,K,L,M,N,O,P,Q
Approved: 10-Jul-1987 **Renewed:** 10-Jul-2014 **Spare Parts Only:** No
Shutoffs: (ff),mm,oo,pp,uu,zzz,ffff,gggg **Bypass:** Febco 805Y 3/4" (H), Febco
Notes: formerly 806 Type YD 805YB 3/4"(H)

Type: DCDA **Manufacturer:** Febco **Model:** 806YD
Size: 6 **Orientation:** H **Meters:**
Manual: 7 **0.25% Pb:** No (F),A,B,C,D,E,G,H,I,J,K,L,M,N,O,P,Q
Approved: 10-Jul-1987 **Renewed:** 10-Jul-2014 **Spare Parts Only:** No
Shutoffs: (ff),mm,oo,pp,uu,zzz,ffff,gggg **Bypass:** Febco 805Y 3/4" (H), Febco
Notes: formerly 806 Type YD 805YB 3/4"(H)

Type: DCDA **Manufacturer:** Febco **Model:** 856
Size: 3 **Orientation:** VU **Meters:**
(M),B,C,D,E,F,G,H,I,J,K,L,N,O,P,Q
Manual: 8 **0.25% Pb:** No **Spare Parts Only:** No
Approved: 05-Jan-2000 **Renewed:** 05-Jan-2014 **Bypass:** Febco 805YB 3/4" (VU)
Shutoffs: (ff),mm,oo,pp,uu,zzz,cccc,ffff,gggg

Type: DCDA **Manufacturer:** Febco **Model:** 856
Size: 4 **Orientation:** H **Meters:**
(M),B,C,D,E,F,G,H,I,J,K,L,N,O,P,Q
Manual: 8 **0.25% Pb:** No **Spare Parts Only:** No
Approved: 04-May-1994 **Renewed:** 04-May-2015 **Bypass:** Febco 805YB 3/4" (H)
Shutoffs: (ff),mm,oo,pp,uu,nnn,zzz,cccc,ffff,gggg

Type: DCDA **Manufacturer:** Febco **Model:** 856
Size: 4 **Orientation:** VU **Meters:**
(M),B,C,D,E,F,G,H,I,J,K,L,N,O,P,Q
Manual: 8 **0.25% Pb:** No **Spare Parts Only:** No
Approved: 16-Apr-1996 **Renewed:** 16-Apr-2014 **Bypass:** Febco 805YB 3/4" (VU)
Shutoffs: (ff),mm,oo,pp,uu,nnn,zzz,cccc,ffff,gggg

Type: DCDA **Manufacturer:** Febco **Model:** 856
Size: 6 **Orientation:** H **Meters:**
(M),B,C,D,E,F,G,H,I,J,K,L,N,O,P,Q
Manual: 8 **0.25% Pb:** No **Spare Parts Only:** No
Approved: 04-May-1994 **Renewed:** 04-May-2015 **Bypass:** Febco 805YB 3/4" (H)
Shutoffs: (ff),mm,oo,pp,uu,nnn,zzz,cccc,ffff,gggg

Type: DCDA **Manufacturer:** Febco **Model:** 856
Size: 6 **Orientation:** VU **Meters:**
(M),B,C,D,E,F,G,H,I,J,K,L,N,O,P,Q
Manual: 8 **0.25% Pb:** No **Spare Parts Only:** No
Approved: 16-Apr-1996 **Renewed:** 16-Apr-2014 **Bypass:** Febco 805YB 3/4" (VU)
Shutoffs: (ff),mm,oo,pp,uu,nnn,zzz,cccc,ffff,gggg

Type: DCDA **Manufacturer:** Febco **Model:** 856
Size: 8 **Orientation:** H **Meters:**
(M),B,C,D,E,F,G,H,I,J,K,L,N,O,P,Q
Manual: 8 **0.25% Pb:** No **Spare Parts Only:** No
Approved: 04-Oct-1995 **Renewed:** 04-Oct-2013 **Bypass:** Febco 805YB 3/4" (H)
Shutoffs: (ff),mm,oo,pp,uu,nnn,zzz,cccc,ffff,gggg

Type: DCDA	Manufacturer: Febco	Model: 856
Size: 8	Orientation: VU	Meters: (M),B,C,D,E,F,G,H,I,J,K,L,N,O,P,Q
Manual: 8	0.25% Pb: No	Spare Parts Only: No
Approved: 05-Jan-2000	Renewed: 05-Jan-2014	Bypass: Febco 805YB 3/4" (VU)
Shutoffs: (ff),mm,oo,pp,uu,nnn,zzz,cccc,ffff,gggg		

Type: DCDA	Manufacturer: Febco	Model: 856ST
Size: 2 1/2	Orientation: H	Meters: (O),G,H,I,J,K,L,M,N,P,Q
Manual: 9	0.25% Pb: No	Spare Parts Only: No
Approved: 22-May-2012	Renewed: 22-May-2015	Bypass: Watts 719QT 3/4" (H)
Shutoffs: (ll), mm		

Type: DCDA	Manufacturer: Febco	Model: 856ST
Size: 2 1/2	Orientation: VU	Meters: (O),G,H,I,J,K,L,M,N,P,Q
Manual: 9	0.25% Pb: No	Spare Parts Only: No
Approved: 22-May-2012	Renewed: 22-May-2015	Bypass: Watts 719QT 3/4" (VU)
Shutoffs: (ll), mm		

Type: DCDA	Manufacturer: Febco	Model: 856ST
Size: 3	Orientation: H	Meters: (O),H,I,J,K,L,M,N,P,Q
Manual: 9	0.25% Pb: No	Spare Parts Only: No
Approved: 22-May-2012	Renewed: 22-May-2015	Bypass: Watts 719QT 3/4" (H)
Shutoffs: (ll), mm		

Type: DCDA	Manufacturer: Febco	Model: 856ST
Size: 3	Orientation: VU	Meters: (O),H,I,J,K,L,M,N,P,Q
Manual: 9	0.25% Pb: No	Spare Parts Only: No
Approved: 22-May-2012	Renewed: 22-May-2015	Bypass: Watts 719QT 3/4" (VU)
Shutoffs: (ll), mm		

Type: DCDA	Manufacturer: Febco	Model: 856ST
Size: 4	Orientation: H	Meters: (O),H,I,J,K,L,M,N,P,Q
Manual: 9	0.25% Pb: No	Spare Parts Only: No
Approved: 22-May-2012	Renewed: 22-May-2015	Bypass: Watts 719QT 3/4" (H)
Shutoffs: (ll), mm		

Type: DCDA **Manufacturer:** Febco **Model:** 856ST
Size: 4 **Orientation:** VU **Meters:** (O),H,I,J,K,L,M,N,P,Q
Manual: 9 **0.25% Pb:** No **Spare Parts Only:** No
Approved: 22-May-2012 **Renewed:** 22-May-2015 **Bypass:** Watts 719QT 3/4" (VU)
Shutoffs: (II), mm

Type: DCDA **Manufacturer:** Febco **Model:** 856ST
Size: 6 **Orientation:** H **Meters:** (O),H,I,J,K,L,M,N,P,Q
Manual: 9 **0.25% Pb:** No **Spare Parts Only:** No
Approved: 22-May-2012 **Renewed:** 22-May-2015 **Bypass:** Watts 719QT 3/4" (H)
Shutoffs: (II), mm

Type: DCDA **Manufacturer:** Febco **Model:** 856ST
Size: 6 **Orientation:** VU **Meters:** (O),H,I,J,K,L,M,N,P,Q
Manual: 9 **0.25% Pb:** No **Spare Parts Only:** No
Approved: 09-Aug-2012 **Renewed:** 09-Aug-2015 **Bypass:** Watts 719QT 3/4" (H)
Shutoffs: (II), mm

Type: DCDA **Manufacturer:** Febco **Model:** 856ST
Size: 8 **Orientation:** H **Meters:** (O),H,I,J,K,L,M,N,P,Q
Manual: 9 **0.25% Pb:** No **Spare Parts Only:** No
Approved: 22-May-2012 **Renewed:** 22-May-2015 **Bypass:** Watts 719QT 3/4" (H)
Shutoffs: (II), mm

Type: DCDA **Manufacturer:** Febco **Model:** 856ST
Size: 8 **Orientation:** VU **Meters:** (O),H,I,J,K,L,M,N,P,Q
Manual: 9 **0.25% Pb:** No **Spare Parts Only:** No
Approved: 09-Aug-2012 **Renewed:** 09-Aug-2015 **Bypass:** Watts 719QT 3/4" (H)
Shutoffs: (II), mm

Type: DCDA **Manufacturer:** Febco **Model:** 856ST
Size: 10 **Orientation:** H **Meters:** (O),H,I,J,K,L,M,N,P,Q
Manual: 9 **0.25% Pb:** No **Spare Parts Only:** No
Approved: 03-Sep-2013 **Renewed:** **Bypass:** Watts 719QT 3/4" (H)
Shutoffs: (II), mm

Type: DCDA **Manufacturer:** Febco **Model:** 856ST
Size: 10 **Orientation:** VU **Meters:** (O),H,I,J,K,L,M,N,P,Q
Manual: 9 **0.25% Pb:** No **Spare Parts Only:** No
Approved: 03-Sep-2013 **Renewed:** **Bypass:** Watts 719QT 3/4" (H)
Shutoffs: (II), mm

Type: DCDA **Manufacturer:** Febco **Model:** 858
Size: 2 **Orientation:** H **Meters:**
(H),A,B,C,D,E,F,G,H,I,J,K,L,M,N,O,P,Q
Manual: 9 **0.25% Pb:** No **Spare Parts Only:** No
Approved: 01-Aug-2006 **Renewed:** 01-Aug-2015 **Bypass:** Watts 007QT 1/2" (H)
Shutoffs: bbb,jjjj

Type: DCDA **Manufacturer:** Febco **Model:** 858
Size: 2 **Orientation:** VU **Meters:**
(H),A,B,C,D,E,F,G,H,I,J,K,L,M,N,O,P,Q
Manual: 9 **0.25% Pb:** No **Spare Parts Only:** No
Approved: 01-Aug-2006 **Renewed:** 01-Aug-2015 **Bypass:** Watts 007QT 1/2" (VU)
Shutoffs: bbb,jjjj

Type: DCDA **Manufacturer:** Febco **Model:** 858
Size: 2 1/2 **Orientation:** H **Meters:**
(H),D,E,F,G,H,I,J,K,L,M,N,O,P,Q
Manual: 8 **0.25% Pb:** No **Spare Parts Only:** No
Approved: 01-Aug-2006 **Renewed:** 01-Aug-2015 **Bypass:** Watts 007M2QT 3/4" (H),
Watts 007M1QT 3/4" (H)
Shutoffs: (pp), gg, hh,ll, mm, oo, tt, uu, zz, fff

Type: DCDA **Manufacturer:** Febco **Model:** 858
Size: 2 1/2 **Orientation:** VU **Meters:**
(H),D,E,F,G,H,I,J,K,L,M,N,O,P,Q
Manual: 8 **0.25% Pb:** No **Spare Parts Only:** No
Approved: 01-Aug-2006 **Renewed:** 01-Aug-2015 **Bypass:** Watts 007M2QT 3/4" (VU)
Shutoffs: (pp), gg, hh,ll, mm, oo, tt, uu, zz, fff

Type: DCDA **Manufacturer:** Febco **Model:** 858
Size: 3 **Orientation:** H **Meters:**
(H),D,E,F,G,H,I,J,K,L,M,N,O,P,Q
Manual: 8 **0.25% Pb:** No **Spare Parts Only:** No
Approved: 01-Aug-2006 **Renewed:** 01-Aug-2015 **Bypass:** Watts 007M2QT 3/4" (H),
Watts 007M1QT 3/4" (H)
Shutoffs: (pp), gg, hh,ll, mm, oo, tt, uu, zz, fff

Type: DCDA **Manufacturer:** Febco **Model:** 876
Size: 2 1/2 **Orientation:** VUVD **Meters:**
(M),B,C,D,E,F,G,H,I,J,K,L,N,O,P,Q
Manual: 8 **0.25% Pb:** No **Spare Parts Only:** Yes
Approved: 10-Mar-1995 **Renewed:** 10-Mar-2013 **Bypass:** Febco 805YB 3/4" (H)
Shutoffs: ff,mm,oo,pp,uu,cccc,zzz,ffff,gggg

Type: DCDA **Manufacturer:** Febco **Model:** 876
Size: 3 **Orientation:** VUVD **Meters:**
(M),B,C,D,E,F,G,H,I,J,K,L,N,O,P,Q
Manual: 8 **0.25% Pb:** No **Spare Parts Only:** Yes
Approved: 10-Mar-1995 **Renewed:** 10-Mar-2013 **Bypass:** Febco 805YB 3/4" (H)
Shutoffs: ff,mm,oo,pp,uu,cccc,zzz,ffff,gggg

Type: DCDA **Manufacturer:** Febco **Model:** 876
Size: 4 **Orientation:** VUVD **Meters:**
(M),B,C,D,E,F,G,H,I,J,K,L,N,O,P,Q
Manual: 8 **0.25% Pb:** No **Spare Parts Only:** Yes
Approved: 04-May-1994 **Renewed:** 04-May-2015 **Bypass:** Febco 805YB 3/4" (H)
Shutoffs: ff,mm,oo,pp,uu,cccc,zzz,ffff,gggg

Type: DCDA **Manufacturer:** Febco **Model:** 876
Size: 6 **Orientation:** VUVD **Meters:**
(M),B,C,D,E,F,G,H,I,J,K,L,N,O,P,Q
Manual: 8 **0.25% Pb:** No **Spare Parts Only:** Yes
Approved: 04-May-1994 **Renewed:** 04-May-2015 **Bypass:** Febco 805YB 3/4" (H)
Shutoffs: ff,mm,oo,pp,uu,cccc,zzz,ffff,gggg

Type: DCDA **Manufacturer:** Febco **Model:** 876
Size: 8 **Orientation:** VUVD **Meters:**
(M),B,C,D,E,F,G,H,I,J,K,L,N,O,P,Q
Manual: 8 **0.25% Pb:** No **Spare Parts Only:** Yes
Approved: 24-May-1995 **Renewed:** 24-May-2013 **Bypass:** Febco 805YB 3/4" (H)
Shutoffs: ff,mm,oo,pp,uu,cccc,zzz,ffff,gggg

Type: DCDA **Manufacturer:** Febco **Model:** 876
Size: 10 **Orientation:** VUVD **Meters:**
(M),B,C,D,E,F,G,H,I,J,K,L,N,O,P,Q
Manual: 8 **0.25% Pb:** No **Spare Parts Only:** Yes
Approved: 04-Oct-1996 **Renewed:** 04-Oct-2014 **Bypass:** Febco 805YB 3/4" (H)
Shutoffs: ff,mm,oo,pp,uu,cccc,zzz,ffff,gggg

Type: DCDA **Manufacturer:** Febco **Model:** 876V
Size: 2 1/2 **Orientation:** VUVD **Meters:**
(M),B,C,D,E,F,G,H,I,J,K,L,N,O,P,Q
Manual: 8 **0.25% Pb:** No **Spare Parts Only:** No
Approved: 08-Mar-1996 **Renewed:** 08-Mar-2014 **Bypass:** Febco 805YB 3/4" (H)
Shutoffs: (ff),ee,ll,mm,oo,pp,tt,uu,zzz,ffff,gggg

Type: DCDA **Manufacturer:** Febco **Model:** 876V
Size: 2 1/2 **Orientation:** VUVU **Meters:**
(M),B,C,D,E,F,G,H,I,J,K,L,N,O,P,Q
Manual: 8 **0.25% Pb:** No **Spare Parts Only:** No
Approved: 08-Mar-1996 **Renewed:** 08-Mar-2014 **Bypass:** Febco 805YB 3/4" (H)
Shutoffs: (ff),ee,ll,mm,oo,pp,tt,uu,zzz,ffff,gggg

Type: DCDA **Manufacturer:** Febco **Model:** 876V
Size: 3 **Orientation:** VUVD **Meters:**
(M),B,C,D,E,F,G,H,I,J,K,L,N,O,P,Q
Manual: 8 **0.25% Pb:** No **Spare Parts Only:** No
Approved: 08-Mar-1996 **Renewed:** 08-Mar-2014 **Bypass:** Febco 805YB 3/4" (H)
Shutoffs: (ff),ee,ll,mm,oo,pp,tt,uu,zzz,ffff,gggg

Type: DCDA **Manufacturer:** Febco **Model:** 876V
Size: 3 **Orientation:** VUVU **Meters:**
(M),B,C,D,E,F,G,H,I,J,K,L,N,O,P,Q
Manual: 8 **0.25% Pb:** No **Spare Parts Only:** No
Approved: 08-Mar-1996 **Renewed:** 08-Mar-2014 **Bypass:** Febco 805YB 3/4" (H)
Shutoffs: (ff),ee,ll,mm,oo,pp,tt,uu,zzz,ffff,gggg

Type: DCDA **Manufacturer:** Febco **Model:** 876V
Size: 4 **Orientation:** VUVD **Meters:**
(M),B,C,D,E,F,G,H,I,J,K,L,N,O,P,Q
Manual: 8 **0.25% Pb:** No **Spare Parts Only:** No
Approved: 08-Mar-1996 **Renewed:** 08-Mar-2014 **Bypass:** Febco 805YB 3/4" (H)
Shutoffs: (ff),ee,ll,mm,oo,pp,tt,uu,zzz,ffff,gggg

Type: DCDA **Manufacturer:** Febco **Model:** 876V
Size: 4 **Orientation:** VUVU **Meters:**
(M),B,C,D,E,F,G,H,I,J,K,L,N,O,P,Q
Manual: 8 **0.25% Pb:** No **Spare Parts Only:** No
Approved: 08-Mar-1996 **Renewed:** 08-Mar-2014 **Bypass:** Febco 805YB 3/4" (H)
Shutoffs: (ff),ee,ll,mm,oo,pp,tt,uu,zzz,ffff,gggg

Type: DCDA **Manufacturer:** Febco **Model:** 876V
Size: 6 **Orientation:** VUVD **Meters:**
(M),B,C,D,E,F,G,H,I,J,K,L,N,O,P,Q
Manual: 8 **0.25% Pb:** No **Spare Parts Only:** No
Approved: 08-Mar-1996 **Renewed:** 08-Mar-2014 **Bypass:** Febco 805YB 3/4" (H)
Shutoffs: (ff),ee,ll,mm,oo,pp,tt,uu,zzz,ffff,gggg

Type: DCDA **Manufacturer:** Febco **Model:** 876V
Size: 6 **Orientation:** VUVU **Meters:**
(M),B,C,D,E,F,G,H,I,J,K,L,N,O,P,Q
Manual: 8 **0.25% Pb:** No **Spare Parts Only:** No
Approved: 08-Mar-1996 **Renewed:** 08-Mar-2014 **Bypass:** Febco 805YB 3/4" (H)
Shutoffs: (ff),ee,ll,mm,oo,pp,tt,uu,zzz,ffff,gggg

Type: DCDA **Manufacturer:** Febco **Model:** 876V
Size: 8 **Orientation:** VUVD **Meters:**
(M),B,C,D,E,F,G,H,I,J,K,L,N,O,P,Q
Manual: 8 **0.25% Pb:** No **Spare Parts Only:** No
Approved: 06-Jan-1997 **Renewed:** 06-Jan-2014 **Bypass:** Febco 805YB 3/4" (H)
Shutoffs: (ff),mm,oo,pp,uu,zzz,ffff,gggg

Type: DCDA **Manufacturer:** Febco **Model:** 876V
Size: 8 **Orientation:** VUVU **Meters:**
(M),B,C,D,E,F,G,H,I,J,K,L,N,O,P,Q
Manual: 8 **0.25% Pb:** No **Spare Parts Only:** No
Approved: 06-Jan-1997 **Renewed:** 06-Jan-2014 **Bypass:** Febco 805YB 3/4" (H)
Shutoffs: (ff),mm,oo,pp,uu,zzz,ffff,gggg

Type: DCDA **Manufacturer:** Febco **Model:** 876V
Size: 10 **Orientation:** VUVD **Meters:**
(M),B,C,D,E,F,G,H,I,J,K,L,N,O,P,Q
Manual: 8 **0.25% Pb:** No **Spare Parts Only:** No
Approved: 11-Jul-1997 **Renewed:** 11-Jul-2015 **Bypass:** Febco 805YB 3/4" (H)
Shutoffs: (ee),ff,ll,mm,oo,pp,tt,uu,zzz,ffff,gggg

Type: DCDA **Manufacturer:** Febco **Model:** 876V
Size: 10 **Orientation:** VUVU **Meters:**
(M),B,C,D,E,F,G,H,I,J,K,L,N,O,P,Q
Manual: 8 **0.25% Pb:** No **Spare Parts Only:** No
Approved: 11-Jul-1997 **Renewed:** 11-Jul-2015 **Bypass:** Febco 805YB 3/4" (H)
Shutoffs: (ee),ff,ll,mm,oo,pp,tt,uu,zzz,ffff,gggg

Type: DCDA
Size: 2 1/2
Manual: 9
Approved: 22-May-2012
Shutoffs: (II), mm

Manufacturer: Febco
Orientation: VUVD
0.25% Pb: No
Renewed: 22-May-2015

Model: 876VST
Meters: (O),G,H,I,J,K,L,M,N,P,Q
Spare Parts Only: No
Bypass: Watts 719QT 3/4" (H)

Type: DCDA
Size: 2 1/2
Manual: 9
Approved: 22-May-2012
Shutoffs: (II), mm

Manufacturer: Febco
Orientation: VUVU
0.25% Pb: No
Renewed: 22-May-2015

Model: 876VST
Meters: (O),G,H,I,J,K,L,M,N,P,Q
Spare Parts Only: No
Bypass: Watts 719QT 3/4" (H)

Type: DCDA
Size: 3
Manual: 9
Approved: 22-May-2012
Shutoffs: (II), mm

Manufacturer: Febco
Orientation: VUVD
0.25% Pb: No
Renewed: 22-May-2015

Model: 876VST
Meters: (O),H,I,J,K,L,M,N,P,Q
Spare Parts Only: No
Bypass: Watts 719QT 3/4" (H)

Type: DCDA
Size: 3
Manual: 9
Approved: 22-May-2012
Shutoffs: (II), mm

Manufacturer: Febco
Orientation: VUVU
0.25% Pb: No
Renewed: 22-May-2015

Model: 876VST
Meters: (O),H,I,J,K,L,M,N,P,Q
Spare Parts Only: No
Bypass: Watts 719QT 3/4" (H)

Type: DCDA
Size: 4
Manual: 9
Approved: 22-May-2012
Shutoffs: (II), mm

Manufacturer: Febco
Orientation: VUVD
0.25% Pb: No
Renewed: 22-May-2015

Model: 876VST
Meters: (O),H,I,J,K,L,M,N,P,Q
Spare Parts Only: No
Bypass: Watts 719QT 3/4" (H)

Type: DCDA
Size: 4
Manual: 9
Approved: 22-May-2012
Shutoffs: (II), mm

Manufacturer: Febco
Orientation: VUVU
0.25% Pb: No
Renewed: 22-May-2015

Model: 876VST
Meters: (O),H,I,J,K,L,M,N,P,Q
Spare Parts Only: No
Bypass: Watts 719QT 3/4" (H)

Type: DCDA
Size: 6
Manual: 9
Approved: 22-May-2012
Shutoffs: (II), mm

Manufacturer: Febco
Orientation: VUVD
0.25% Pb: No
Renewed: 22-May-2015

Model: 876VST
Meters: (O),H,I,J,K,L,M,N,P,Q
Spare Parts Only: No
Bypass: Watts 719QT 3/4" (H)

Type: DCDA Size: 6 Manual: 9 Approved: 22-May-2012 Shutoffs: (ll), mm	Manufacturer: Febco Orientation: VUVU 0.25% Pb: No Renewed: 22-May-2015	Model: 876VST Meters: (O),H,I,J,K,L,M,N,P,Q Spare Parts Only: No Bypass: Watts 719QT 3/4" (H)
Type: DCDA Size: 8 Manual: 9 Approved: 22-May-2012 Shutoffs: (ll), mm	Manufacturer: Febco Orientation: VUVD 0.25% Pb: No Renewed: 22-May-2015	Model: 876VST Meters: (O),H,I,J,K,L,M,N,P,Q Spare Parts Only: No Bypass: Watts 719QT 3/4" (H)
Type: DCDA Size: 8 Manual: 9 Approved: 22-May-2012 Shutoffs: (ll), mm	Manufacturer: Febco Orientation: VUVU 0.25% Pb: No Renewed: 22-May-2015	Model: 876VST Meters: (O),H,I,J,K,L,M,N,P,Q Spare Parts Only: No Bypass: Watts 719QT 3/4" (H)
Type: DCDA Size: 2 Manual: 9 Approved: 16-Jun-1997 Shutoffs: (bbb),jjjj,rrrr Notes: Previously Approved 8th Ed. (19 Apr 1996)	Manufacturer: Watts Orientation: H 0.25% Pb: No Renewed: 16-Jun-2015	Model: 007DCDA Meters: (H),A,B,C,D,E,F,G,I,J,K,L,M,N,O,P,Q Spare Parts Only: No Bypass: Watts 007QT 1/2" (H)
Type: DCDA Size: 2 Manual: 9 Approved: 16-Jun-1997 Shutoffs: (bbb),jjjj,rrrr Notes: Previously Approved 8th Ed. (10 Sept 1996)	Manufacturer: Watts Orientation: VU 0.25% Pb: No Renewed: 16-Jun-2015	Model: 007DCDA Meters: (H),A,B,C,D,E,F,G,I,J,K,L,M,N,O,P,Q Spare Parts Only: No Bypass: Watts 007QT 1/2" (VU)
Type: DCDA Size: 2 1/2 Manual: 8 Approved: 11-Oct-1993 Shutoffs: (pp),gg,hh,ll,mm,oo,tt,uu,zz,ffff,gggg	Manufacturer: Watts Orientation: H 0.25% Pb: No Renewed: 11-Oct-2014	Model: 007DCDA Meters: (H),D,E,F,G,I,J,K,L,M,N,O,P,Q Spare Parts Only: No Bypass: Watts 007M2QT 3/4" (H), Watts 007M1QT 3/4" (H)

Type: DCDA **Manufacturer:** Watts **Model:** 007DCDA
Size: 2 1/2 **Orientation:** VU **Meters:** (H),D,E,F,G,I,J,K,L,M,N,O,P,Q
Manual: 8 **0.25% Pb:** No **Spare Parts Only:** No
Approved: 27-Aug-1996 **Renewed:** 27-Aug-2014 **Bypass:** Watts 007M2QT 3/4" (VU)
Shutoffs: (pp),gg,hh,ll,mm,oo,tt,uu,zz,ffff,gggg

Type: DCDA **Manufacturer:** Watts **Model:** 007DCDA
Size: 3 **Orientation:** H **Meters:** (H),D,E,F,G,I,J,K,L,M,N,O,P,Q
Manual: 8 **0.25% Pb:** No **Spare Parts Only:** No
Approved: 19-Sep-1992 **Renewed:** 19-Sep-2013 **Bypass:** Watts 007M2QT 3/4" (H),
Watts 007M1QT 3/4" (H)
Shutoffs: (pp),hh,mm,uu,zz,ffff,gggg

Type: DCDA **Manufacturer:** Watts **Model:** 007DCDA-FP
Size: 2 **Orientation:** H **Meters:**
(H),A,B,C,D,E,F,G,I,J,K,L,M,N,O,P,Q
Manual: 9 **0.25% Pb:** No **Spare Parts Only:** No
Approved: 01-Sep-2009 **Renewed:** 01-Sep-2015 **Bypass:** Ames 2000B 1/2" (H), Watts
007QT 1/2" (H)
Shutoffs: (eeee)

Type: DCDA **Manufacturer:** Watts **Model:** 007M1DCDA
Size: 2 **Orientation:** H **Meters:**
(H),A,B,C,D,E,F,G,I,J,K,L,M,N,O,P,Q
Manual: 9 **0.25% Pb:** No **Spare Parts Only:** No
Approved: 19-Jun-2015 **Renewed:** **Bypass:** Watts 007QT 1/2" (H)
Shutoffs: (eeee), bbb, jjjj,rrrr

Type: DCDA **Manufacturer:** Watts **Model:** 007M1DCDA
Size: 2 **Orientation:** VU **Meters:**
(H),A,B,C,D,E,F,G,I,J,K,L,M,N,O,P,Q
Manual: 9 **0.25% Pb:** No **Spare Parts Only:** No
Approved: 19-Jun-2015 **Renewed:** **Bypass:** Watts 007QT 1/2" (VU)
Shutoffs: (eeee), bbb, jjjj,rrrr

Type: DCDA **Manufacturer:** Watts **Model:** 709DCDA
Size: 3 **Orientation:** H **Meters:**
(N),B,C,D,E,F,G,H,I,J,K,L,M,O,P,Q
Manual: 6 **0.25% Pb:** No **Spare Parts Only:** No
Approved: 19-Apr-1987 **Renewed:** 19-Apr-2014 **Bypass:** Watts 007QT 1/2" (H), Watts
007M1QT 3/4" (H), Watts 709QT 3/4"
(H)
Shutoffs: (pp),hh,uu,zz,eee,ffff,gggg
Notes: formerly 709DDC

Type: DCDA **Manufacturer:** Watts **Model:** 709DCDA
Size: 4 **Orientation:** H **Meters:**
(N),A,B,C,D,E,F,G,H,I,J,K,L,M,O,P,Q
Manual: 6 **0.25% Pb:** No **Spare Parts Only:** No
Approved: 27-Jul-1987 **Renewed:** 27-Jul-2014 **Bypass:** Watts 007QT 1/2" (H), Watts
007M1QT 3/4" (H), Watts 709QT 3/4"
(H)
Shutoffs: (pp),hh,uu,zz,eee,ffff,gggg
Notes: formerly 709DDC

Type: DCDA **Manufacturer:** Watts **Model:** 709DCDA
Size: 4 **Orientation:** VU **Meters:**
(N),A,B,C,D,E,F,G,H,I,J,K,L,M,O,P,Q
Manual: 8 **0.25% Pb:** No **Spare Parts Only:** No
Approved: 27-Aug-1996 **Renewed:** 27-Aug-2014 **Bypass:** Watts 007QT 1/2" (VU), Watts
007M2QT 3/4" (VU)
Shutoffs: (pp),hh,uu,zz,eee,ffff,gggg
Notes: formerly 709DDC

Type: DCDA **Manufacturer:** Watts **Model:** 709DCDA
Size: 6 **Orientation:** H **Meters:**
(N),A,B,C,D,E,F,G,H,I,J,K,L,M,O,P,Q
Manual: 6 **0.25% Pb:** No **Spare Parts Only:** No
Approved: 27-Jul-1987 **Renewed:** 27-Jul-2014 **Bypass:** Watts 007QT 1/2" (H), Watts
007M1QT 3/4" (H), Watts 709QT 3/4"
(H)
Shutoffs: (pp),hh,uu,zz,eee,ffff,gggg
Notes: formerly 709DDC

Type: DCDA **Manufacturer:** Watts **Model:** 709DCDA
Size: 6 **Orientation:** VU **Meters:**
(H),A,B,C,D,E,F,G,I,J,K,L,M,N,O,P,Q
Manual: 8 **0.25% Pb:** No **Spare Parts Only:** No
Approved: 05-Dec-1996 **Renewed:** 05-Dec-2014 **Bypass:** Watts 007QT 1/2" (VU)
Shutoffs: (pp),hh,mm,uu,zz,eee,ffff,gggg

Type: DCDA **Manufacturer:** Watts **Model:** 709DCDA
Size: 8 **Orientation:** H **Meters:**
(N),A,B,C,D,E,F,G,H,I,J,K,L,M,O,P,Q
Manual: 6 **0.25% Pb:** No **Spare Parts Only:** No
Approved: 19-Apr-1987 **Renewed:** 19-Apr-2014 **Bypass:** Watts 007QT 1/2" (H), Watts
007M1QT 3/4" (H), Watts 709QT 3/4"
(H)
Shutoffs: (pp),hh,mm,uu,zz,eee,ffff,gggg
Notes: formerly 709DDC

Type: DCDA **Manufacturer:** Watts **Model:** 709DCDA
Size: 8 **Orientation:** VU **Meters:**
(H),A,B,C,D,E,F,G,I,J,K,L,M,N,O,P,Q
Manual: 8 **0.25% Pb:** No **Spare Parts Only:** No
Approved: 05-Dec-1996 **Renewed:** 05-Dec-2014 **Bypass:** Watts 007QT 1/2" (VU)
Shutoffs: (pp),hh,mm,uu,zz,eee,ffff,gggg

Type: DCDA **Manufacturer:** Watts **Model:** 709DCDA
Size: 10 **Orientation:** H **Meters:** (N),E,F,G,H,I,J,K,L,M,O,P,Q
Manual: 6 **0.25% Pb:** No **Spare Parts Only:** No
Approved: 27-Jul-1987 **Renewed:** 27-Jul-2014 **Bypass:** Watts 007QT 1/2" (H), Watts
007M1QT 3/4" (H), Watts 709QT 3/4"
(H)
Shutoffs: (pp),hh,mm,uu,zz,eee,ffff,gggg
Notes: formerly 709DDC

Type: DCDA **Manufacturer:** Watts **Model:** 709DCDA
Size: 10 **Orientation:** VU **Meters:**
(H),A,B,C,D,E,F,G,I,J,K,L,M,N,O,P,Q
Manual: 8 **0.25% Pb:** No **Spare Parts Only:** No
Approved: 05-Dec-1996 **Renewed:** 05-Dec-2014 **Bypass:** Watts 007QT 1/2" (VU)
Shutoffs: (pp),hh,mm,uu,zz,eee,ffff,gggg

Type: DCDA **Manufacturer:** Watts **Model:** 709DDC
Size: 3 **Orientation:** **Meters:**
Manual: **0.25% Pb:** No **Spare Parts Only:** No
Approved: **Renewed:** **Bypass:**
Notes: model designation changed to 709DCDA

Type: DCDA **Manufacturer:** Watts **Model:** 709DDC
Size: 4 **Orientation:** **Meters:**
Manual: **0.25% Pb:** No **Spare Parts Only:** No
Approved: **Renewed:** **Bypass:**
Notes: model designation changed to 709DCDA

Type: DCDA **Manufacturer:** Watts **Model:** 709DDC
Size: 4 **Orientation:** **Meters:**
Manual: **0.25% Pb:** No **Spare Parts Only:** No
Approved: **Renewed:** **Bypass:**
Notes: model designation changed to 709DCDA

Type: DCDA **Manufacturer:** Watts **Model:** 709DDC
Size: 6 **Orientation:** **Meters:**
Manual: **0.25% Pb:** No **Spare Parts Only:** No
Approved: **Renewed:** **Bypass:**
Notes: model designation changed to 709DCDA

Type: DCDA **Manufacturer:** Watts **Model:** 709DDC
Size: 8 **Orientation:** **Meters:**
Manual: **0.25% Pb:** No **Spare Parts Only:** No
Approved: **Renewed:** **Bypass:**
Notes: model designation changed to 709DCDA

Type: DCDA **Manufacturer:** Watts **Model:** 709DDC
Size: 10 **Orientation:** **Meters:**
Manual: **0.25% Pb:** No **Spare Parts Only:** No
Approved: **Renewed:** **Bypass:**
Notes: model designation changed to 709DCDA

Type: DCDA **Manufacturer:** Watts **Model:** 757aDCDABF
Size: 2 1/2 **Orientation:** H **Meters:** (N),G,H,I,J,K,L,M,O,P,Q
Manual: 9 **0.25% Pb:** No **Spare Parts Only:** No
Approved: 06-Nov-2003 **Renewed:** 06-Nov-2012 **Bypass:** Watts 007M3QT 3/4" (H)
Shutoffs: (yyy)

Type: DCDA **Manufacturer:** Watts **Model:** 757aDCDABF
Size: 2 1/2 **Orientation:** VU **Meters:** (N),G,H,I,J,K,L,M,O,P,Q
Manual: 9 **0.25% Pb:** No **Spare Parts Only:** No
Approved: 06-Nov-2003 **Renewed:** 06-Nov-2012 **Bypass:** Watts 007M3QT 3/4" (VU)
Shutoffs: (yyy)

Type: DCDA **Manufacturer:** Watts **Model:** 757aDCDABF
Size: 3 **Orientation:** H **Meters:** (N),G,H,I,J,K,L,M,O,P,Q
Manual: 9 **0.25% Pb:** No **Spare Parts Only:** No
Approved: 06-Nov-2003 **Renewed:** 06-Nov-2012 **Bypass:** Watts 007M3QT 3/4" (H)
Shutoffs: (yyy)

Type: DCDA **Manufacturer:** Watts **Model:** 757aDCDABF
Size: 3 **Orientation:** VU **Meters:** (N),G,H,I,J,K,L,M,O,P,Q
Manual: 9 **0.25% Pb:** No **Spare Parts Only:** No
Approved: 06-Nov-2003 **Renewed:** 06-Nov-2012 **Bypass:** Watts 007M3QT 3/4" (VU)
Shutoffs: (yyy)

Type: DCDA **Manufacturer:** Watts **Model:** 757aDCDABF
Size: 4 **Orientation:** H **Meters:** (N),G,H,I,J,K,L,M,O,P,Q
Manual: 9 **0.25% Pb:** No **Spare Parts Only:** No
Approved: 06-Nov-2003 **Renewed:** 06-Nov-2012 **Bypass:** Watts 007M3QT 3/4" (H)
Shutoffs: (yyy)

Type: DCDA **Manufacturer:** Watts **Model:** 757aDCDABF
Size: 4 **Orientation:** VU **Meters:** (N),G,H,I,J,K,L,M,O,P,Q
Manual: 9 **0.25% Pb:** No **Spare Parts Only:** No
Approved: 06-Nov-2003 **Renewed:** 06-Nov-2012 **Bypass:** Watts 007M3QT 3/4" (VU)
Shutoffs: (yyy)

Type: DCDA **Manufacturer:** Watts **Model:** 757aDCDABF
Size: 6 **Orientation:** H **Meters:** (N),G,H,I,J,K,L,M,N,O,P,Q
Manual: 9 **0.25% Pb:** No **Spare Parts Only:** No
Approved: 03-Nov-2004 **Renewed:** 03-Nov-2013 **Bypass:** Watts 007M3QT 3/4 (H)
Shutoffs: (yyy)

Type: DCDA **Manufacturer:** Watts **Model:** 757aDCDABF
Size: 6 **Orientation:** VU **Meters:** (N), G, H, I, J, K, L, M, N, O, P, Q
Manual: 9 **0.25% Pb:** No **Spare Parts Only:** No
Approved: 18-Jan-2005 **Renewed:** 18-Jan-2014 **Bypass:** Watts 007M3QT 3/4" (VU)
Shutoffs: (yyy)

Type: DCDA **Manufacturer:** Watts **Model:** 757aDCDAGV
Size: 2 1/2 **Orientation:** H **Meters:** (N),G,H,I,J,K,L,M,O,P,Q
Manual: 9 **0.25% Pb:** No **Spare Parts Only:** No
Approved: 06-Nov-2003 **Renewed:** 06-Nov-2012 **Bypass:** Watts 007M3QT 3/4" (H)
Shutoffs: (zzz)

Type: DCDA **Manufacturer:** Watts **Model:** 757aDCDAGV
Size: 2 1/2 **Orientation:** VU **Meters:** (N),G,H,I,J,K,L,M,O,P,Q
Manual: 9 **0.25% Pb:** No **Spare Parts Only:** No
Approved: 06-Nov-2003 **Renewed:** 06-Nov-2012 **Bypass:** Watts 007M3QT 3/4" (VU)
Shutoffs: (zzz)

Type: DCDA **Manufacturer:** Watts **Model:** 757aDCDAGV
Size: 3 **Orientation:** H **Meters:** (N),G,H,I,J,K,L,M,O,P,Q
Manual: 9 **0.25% Pb:** No **Spare Parts Only:** No
Approved: 06-Nov-2003 **Renewed:** 06-Nov-2012 **Bypass:** Watts 007M3QT 3/4" (H)
Shutoffs: (zzz)

Type: DCDA **Manufacturer:** Watts **Model:** 757aDCDAGV
Size: 3 **Orientation:** VU **Meters:** (N),G,H,I,J,K,L,M,O,P,Q
Manual: 9 **0.25% Pb:** No **Spare Parts Only:** No
Approved: 06-Nov-2003 **Renewed:** 06-Nov-2012 **Bypass:** Watts 007M3QT 3/4" (VU)
Shutoffs: (zzz)

Type: DCDA **Manufacturer:** Watts **Model:** 757aDCDAGV
Size: 4 **Orientation:** H **Meters:** (N),G,H,I,J,K,L,M,O,P,Q
Manual: 9 **0.25% Pb:** No **Spare Parts Only:** No
Approved: 06-Nov-2003 **Renewed:** 06-Nov-2012 **Bypass:** Watts 007M3QT 3/4" (H)
Shutoffs: (zzz)

Type: DCDA	Manufacturer: Watts	Model: 757aDCDAGV
Size: 4	Orientation: VU	Meters: (N),G,H,I,J,K,L,M,O,P,Q
Manual: 9	0.25% Pb: No	Spare Parts Only: No
Approved: 06-Nov-2003	Renewed: 06-Nov-2012	Bypass: Watts 007M3QT 3/4" (VU)
Shutoffs: (zzz)		
<hr/>		
Type: DCDA	Manufacturer: Watts	Model: 757aDCDAGV
Size: 6	Orientation: H	Meters: (N), G, H, I, J, K, L, M, N, O, P, Q
Manual: 9	0.25% Pb: No	Spare Parts Only: No
Approved: 18-Jan-2005	Renewed: 18-Jan-2014	Bypass: Watts 007M3QT 3/4" (VU)
Shutoffs: (zzz)		
<hr/>		
Type: DCDA	Manufacturer: Watts	Model: 757aDCDAGV
Size: 6	Orientation: VU	Meters: (N), G, H, I, J, K, L, M, N, O, P, Q
Manual: 9	0.25% Pb: No	Spare Parts Only: No
Approved: 18-Jan-2005	Renewed: 18-Jan-2014	Bypass: Watts 007M3QT 3/4" (VU)
Shutoffs: (zzz)		
<hr/>		
Type: DCDA	Manufacturer: Watts	Model: 757DCDABF
Size: 2 1/2	Orientation: H	Meters: (N),G,H,I,J,K,L,M,O,P,Q
Manual: 9	0.25% Pb: No	Spare Parts Only: No
Approved: 04-Oct-2005	Renewed: 04-Oct-2014	Bypass: Watts 007M3QT 3/4" (H)
Shutoffs: (yyy)		
<hr/>		
Type: DCDA	Manufacturer: Watts	Model: 757DCDABF
Size: 2 1/2	Orientation: VU	Meters: (N),G,H,I,J,K,L,M,O,P,Q
Manual: 9	0.25% Pb: No	Spare Parts Only: No
Approved: 04-Oct-2005	Renewed: 04-Oct-2014	Bypass: Watts 007M3QT 3/4" (V)
Shutoffs: (yyy)		
<hr/>		
Type: DCDA	Manufacturer: Watts	Model: 757DCDABF
Size: 3	Orientation: H	Meters: (N),G,H,I,J,K,L,M,O,P,Q
Manual: 9	0.25% Pb: No	Spare Parts Only: No
Approved: 04-Oct-2005	Renewed: 04-Oct-2014	Bypass: Watts 007M3QT 3/4" (H)
Shutoffs: (yyy)		

Type: DCDA Size: 3 Manual: 9 Approved: 04-Oct-2005 Shutoffs: (yyy)	Manufacturer: Watts Orientation: VU 0.25% Pb: No Renewed: 04-Oct-2014	Model: 757DCDABF Meters: (N),G,H,I,J,K,L,M,O,P,Q Spare Parts Only: No Bypass: Watts 007M3QT 3/4" (V)
Type: DCDA Size: 4 Manual: 9 Approved: 04-Oct-2005 Shutoffs: (yyy)	Manufacturer: Watts Orientation: H 0.25% Pb: No Renewed: 04-Oct-2014	Model: 757DCDABF Meters: (N),G,H,I,J,K,L,M,O,P,Q Spare Parts Only: No Bypass: Watts 007M3QT 3/4" (H)
Type: DCDA Size: 4 Manual: 9 Approved: 04-Oct-2005 Shutoffs: (yyy)	Manufacturer: Watts Orientation: VU 0.25% Pb: No Renewed: 04-Oct-2014	Model: 757DCDABF Meters: (N),G,H,I,J,K,L,M,O,P,Q Spare Parts Only: No Bypass: Watts 007M3QT 3/4" (V)
Type: DCDA Size: 6 Manual: 9 Approved: 19-Mar-2007 Shutoffs: (yyy)	Manufacturer: Watts Orientation: H 0.25% Pb: No Renewed: 23-Mar-2013	Model: 757DCDABF Meters: (N), G, H, I J, K L, M, N, O, P, Q Spare Parts Only: No Bypass: Watts 007M3QT 3/4" (H)
Type: DCDA Size: 6 Manual: 9 Approved: 19-Mar-2007 Shutoffs: (yyy)	Manufacturer: Watts Orientation: VU 0.25% Pb: No Renewed: 23-Mar-2013	Model: 757DCDABF Meters: (N), G, H, I J, K L, M, N, O, P, Q Spare Parts Only: No Bypass: Watts 007M3QT 3/4" (VU)
Type: DCDA Size: 8 Manual: 9 Approved: 09-Mar-2007 Shutoffs: (yyy)	Manufacturer: Watts Orientation: H 0.25% Pb: No Renewed: 09-Mar-2013	Model: 757DCDABF Meters: (N), G, H, I J, K L, M, N, O, P, Q Spare Parts Only: No Bypass: Watts 007M3QT 3/4" (H & VU)

Type: DCDA **Manufacturer:** Watts **Model:** 757DCDABF
Size: 8 **Orientation:** VU **Meters:** (N), G, H, I J, K L, M, N, O, P, Q
Manual: 9 **0.25% Pb:** No **Spare Parts Only:** No
Approved: 09-Mar-2007 **Renewed:** 09-Mar-2013 **Bypass:** Watts 007M3QT 3/4" (H & VU)
Shutoffs: (yyy)

Type: DCDA **Manufacturer:** Watts **Model:** 757DCDABF
Size: 10 **Orientation:** H **Meters:** (N),G,H,I,J,K,L,M,O,P,Q
Manual: 9 **0.25% Pb:** No **Spare Parts Only:** No
Approved: 17-Sep-2009 **Renewed:** 17-Sep-2015 **Bypass:** Watts 007M3QT 3/4" (H),
Ames 2000 BM3 (H)
Shutoffs: (yyy)

Type: DCDA **Manufacturer:** Watts **Model:** 757DCDABF
Size: 10 **Orientation:** VU **Meters:** (N),G,H,I,J,K,L,M,O,P,Q
Manual: 9 **0.25% Pb:** No **Spare Parts Only:** No
Approved: 17-Sep-2009 **Renewed:** 17-Sep-2015 **Bypass:** Watts 007M3QT 3/4" (V),
Ames 2000 BM3 (V)
Shutoffs: (yyy)

Type: DCDA **Manufacturer:** Watts **Model:** 757DCDAGV
Size: 2 1/2 **Orientation:** H **Meters:** (N),G,H,I,J,K,L,M,O,P,Q
Manual: 9 **0.25% Pb:** No **Spare Parts Only:** No
Approved: 04-Oct-2005 **Renewed:** 04-Oct-2014 **Bypass:** Watts 007M3QT 3/4" (H)
Shutoffs: (zzz)

Type: DCDA **Manufacturer:** Watts **Model:** 757DCDAGV
Size: 2 1/2 **Orientation:** VU **Meters:** (N),G,H,I,J,K,L,M,O,P,Q
Manual: 9 **0.25% Pb:** No **Spare Parts Only:** No
Approved: 04-Oct-2005 **Renewed:** 04-Oct-2014 **Bypass:** Watts 007M3QT 3/4" (V)
Shutoffs: (zzz)

Type: DCDA **Manufacturer:** Watts **Model:** 757DCDAGV
Size: 3 **Orientation:** H **Meters:** (N),G,H,I,J,K,L,M,O,P,Q
Manual: 9 **0.25% Pb:** No **Spare Parts Only:** No
Approved: 04-Oct-2005 **Renewed:** 04-Oct-2014 **Bypass:** Watts 007M3QT 3/4" (H)
Shutoffs: (zzz)

Type: DCDA Size: 3 Manual: 9 Approved: 04-Oct-2005 Shutoffs: (zzz)	Manufacturer: Watts Orientation: VU 0.25% Pb: No Renewed: 04-Oct-2014	Model: 757DCDAGV Meters: (N),G,H,I,J,K,L,M,O,P,Q Spare Parts Only: No Bypass: Watts 007M3QT 3/4" (V)
Type: DCDA Size: 4 Manual: 9 Approved: 04-Oct-2005 Shutoffs: (zzz)	Manufacturer: Watts Orientation: H 0.25% Pb: No Renewed: 04-Oct-2014	Model: 757DCDAGV Meters: (N),G,H,I,J,K,L,M,O,P,Q Spare Parts Only: No Bypass: Watts 007M3QT 3/4" (H)
Type: DCDA Size: 4 Manual: 9 Approved: 04-Oct-2005 Shutoffs: (zzz)	Manufacturer: Watts Orientation: VU 0.25% Pb: No Renewed: 04-Oct-2014	Model: 757DCDAGV Meters: (N),G,H,I,J,K,L,M,O,P,Q Spare Parts Only: No Bypass: Watts 007M3QT 3/4" (V)
Type: DCDA Size: 6 Manual: 9 Approved: 19-Mar-2007 Shutoffs: (zzz)	Manufacturer: Watts Orientation: H 0.25% Pb: No Renewed: 23-Mar-2013	Model: 757DCDAGV Meters: (N), G, H, I J, K L, M, N, O, P, Q Spare Parts Only: No Bypass: Watts 007M3QT 3/4" (H)
Type: DCDA Size: 6 Manual: 9 Approved: 19-Mar-2007 Shutoffs: (zzz)	Manufacturer: Watts Orientation: VU 0.25% Pb: No Renewed: 23-Mar-2013	Model: 757DCDAGV Meters: (N), G, H, I J, K L, M, N, O, P, Q Spare Parts Only: No Bypass: Watts 007M3QT 3/4" (VU)
Type: DCDA Size: 8 Manual: 9 Approved: 09-Mar-2007 Shutoffs: (zzz)	Manufacturer: Watts Orientation: H 0.25% Pb: No Renewed: 09-Mar-2013	Model: 757DCDAGV Meters: (N), G, H, I J, K L, M, N, O, P, Q Spare Parts Only: No Bypass: Watts 007M3QT 3/4" (H & VU)

Type: DCDA **Manufacturer:** Watts **Model:** 757DCDAGV
Size: 8 **Orientation:** VU **Meters:** (N), G, H, I J, K L, M, N, O, P, Q
Manual: 9 **0.25% Pb:** No **Spare Parts Only:** No
Approved: 09-Mar-2007 **Renewed:** 09-Mar-2013 **Bypass:** Watts 007M3QT 3/4" (H & VU)
Shutoffs: (zzz)

Type: DCDA **Manufacturer:** Watts **Model:** 757DCDAGV
Size: 10 **Orientation:** H **Meters:** (N),G,H,I,J,K,L,M,O,P,Q
Manual: 9 **0.25% Pb:** No **Spare Parts Only:** No
Approved: 17-Sep-2009 **Renewed:** 17-Sep-2015 **Bypass:** Watts 007M3QT 3/4" (H),
Ames 2000 BM3 (H)
Shutoffs: (zzz)

Type: DCDA **Manufacturer:** Watts **Model:** 757DCDAGV
Size: 10 **Orientation:** VU **Meters:** (N),G,H,I,J,K,L,M,O,P,Q
Manual: 9 **0.25% Pb:** No **Spare Parts Only:** No
Approved: 17-Sep-2009 **Renewed:** 17-Sep-2015 **Bypass:** Watts 007M3QT 3/4" (V),
Ames 2000 BM3 (V)
Shutoffs: (zzz)

Type: DCDA **Manufacturer:** Watts **Model:** 757NDCDABF
Size: 2 1/2 **Orientation:** VUVD **Meters:** (N),G,H,I,J,K,L,M,N,O,P,Q
Manual: 9 **0.25% Pb:** No **Spare Parts Only:** No
Approved: 07-Apr-2009 **Renewed:** 07-Apr-2015 **Bypass:** Watts 007M3QT 3/4" (H)
Shutoffs: (yyy)

Type: DCDA **Manufacturer:** Watts **Model:** 757NDCDABF
Size: 3 **Orientation:** VUVD **Meters:** (N),G,H,I,J,K,L,M,N,O,P,Q
Manual: 9 **0.25% Pb:** No **Spare Parts Only:** No
Approved: 07-Apr-2009 **Renewed:** 07-Apr-2015 **Bypass:** Watts 007M3QT 3/4" (H)
Shutoffs: (yyy)

Type: DCDA **Manufacturer:** Watts **Model:** 757NDCDABF
Size: 4 **Orientation:** VUVD **Meters:** (N),G,H,I,J,K,L,M,N,O,P,Q
Manual: 9 **0.25% Pb:** No **Spare Parts Only:** No
Approved: 07-Apr-2009 **Renewed:** 07-Apr-2015 **Bypass:** Watts 007M3QT 3/4" (H)
Shutoffs: (yyy)

Type: DCDA	Manufacturer: Watts	Model: 757NDCCDABF
Size: 6	Orientation: VUVD	Meters: (N),G,H,I,J,K,L,M,N,O,P,Q
Manual: 9	0.25% Pb: No	Spare Parts Only: No
Approved: 07-Apr-2009	Renewed: 07-Apr-2015	Bypass: Watts 007M3QT 3/4" (H)
Shutoffs: (yyy)		

Type: DCDA	Manufacturer: Watts	Model: 757NDCCDABF
Size: 8	Orientation: VUVD	Meters: (N),G,H,I,J,K,L,M,N,O,P,Q
Manual: 9	0.25% Pb: No	Spare Parts Only: No
Approved: 03-Jan-2013	Renewed:	Bypass: Watts 007M3QT 3/4" (H)
Shutoffs: (yyy)		

Type: DCDA	Manufacturer: Watts	Model: 757NDCCDABF
Size: 10	Orientation: VUVD	Meters: (N), H,I,J,K,L,M,N,O,P,Q
Manual: 9	0.25% Pb: No	Spare Parts Only: No
Approved: 28-May-2013	Renewed:	Bypass: Watts 007M3QT 3/4" (H), Ames 2000BM3 3/4" (H)
Shutoffs: (yyy)		

Type: DCDA	Manufacturer: Watts	Model: 757NDCCDAGV
Size: 2 1/2	Orientation: VUVD	Meters: (N),G,H,I,J,K,L,M,N,O,P,Q
Manual: 9	0.25% Pb: No	Spare Parts Only: No
Approved: 07-Apr-2009	Renewed: 07-Apr-2015	Bypass: Watts 007M3QT 3/4" (H)
Shutoffs: (zzz)		

Type: DCDA	Manufacturer: Watts	Model: 757NDCCDAGV
Size: 3	Orientation: VUVD	Meters: (N),G,H,I,J,K,L,M,N,O,P,Q
Manual: 9	0.25% Pb: No	Spare Parts Only: No
Approved: 07-Apr-2009	Renewed: 07-Apr-2015	Bypass: Watts 007M3QT 3/4" (H)
Shutoffs: (zzz)		

Type: DCDA	Manufacturer: Watts	Model: 757NDCCDAGV
Size: 4	Orientation: VUVD	Meters: (N),G,H,I,J,K,L,M,N,O,P,Q
Manual: 9	0.25% Pb: No	Spare Parts Only: No
Approved: 07-Apr-2009	Renewed: 07-Apr-2015	Bypass: Watts 007M3QT 3/4" (H)
Shutoffs: (zzz)		

Type: DCDA
Size: 6
Manual: 9
Approved: 07-Apr-2009
Shutoffs: (zzz)

Manufacturer: Watts
Orientation: VUVD
0.25% Pb: No
Renewed: 07-Apr-2015

Model: 757ND CDAGV
Meters: (N),G,H,I,J,K,L,M,N,O,P,Q
Spare Parts Only: No
Bypass: Watts 007M3QT 3/4" (H)

Type: DCDA
Size: 8
Manual: 9
Approved: 03-Jan-2013
Shutoffs: (zzz)

Manufacturer: Watts
Orientation: VUVD
0.25% Pb: No
Renewed:

Model: 757ND CDAGV
Meters: (N),G,H,I,J,K,L,M,N,O,P,Q
Spare Parts Only: No
Bypass: Watts 007M3QT 3/4" (H)

Type: DCDA
Size: 10
Manual: 9
Approved: 28-May-2013
Shutoffs: (zzz)

Manufacturer: Watts
Orientation: VUVD
0.25% Pb: No
Renewed:

Model: 757ND CDAGV
Meters: (N), H,I,J,K,L,M,N,O,P,Q
Spare Parts Only: No
Bypass: Watts 007M3QT 3/4" (H),
Ames 2000BM3 3/4" (H)

Type: DCDA
Size: 2 1/2
Manual: 9
Approved: 06-Nov-2003
Shutoffs: (yyy)

Manufacturer: Watts
Orientation: H
0.25% Pb: No
Renewed: 06-Nov-2012

Model: 767aDCDABF
Meters: (N),G,H,I,J,K,L,M,O,P,Q
Spare Parts Only: No
Bypass: Watts 007M3QT 3/4" (H)

Type: DCDA
Size: 2 1/2
Manual: 9
Approved: 06-Nov-2003
Shutoffs: (yyy)

Manufacturer: Watts
Orientation: VU
0.25% Pb: No
Renewed: 06-Nov-2012

Model: 767aDCDABF
Meters: (N),G,H,I,J,K,L,M,O,P,Q
Spare Parts Only: No
Bypass: Watts 007M3QT 3/4" (VU)

Type: DCDA
Size: 3
Manual: 9
Approved: 06-Nov-2003
Shutoffs: (yyy)

Manufacturer: Watts
Orientation: H
0.25% Pb: No
Renewed: 06-Nov-2012

Model: 767aDCDABF
Meters: (N),G,H,I,J,K,L,M,O,P,Q
Spare Parts Only: No
Bypass: Watts 007M3QT 3/4" (H)

Type: DCDA	Manufacturer: Watts	Model: 767aDCDABF
Size: 3	Orientation: VU	Meters: (N),G,H,I,J,K,L,M,O,P,Q
Manual: 9	0.25% Pb: No	Spare Parts Only: No
Approved: 06-Nov-2003	Renewed: 06-Nov-2012	Bypass: Watts 007M3QT 3/4" (VU)
Shutoffs: (yyy)		

Type: DCDA	Manufacturer: Watts	Model: 767aDCDABF
Size: 4	Orientation: H	Meters: (N), G, H, I J, K L, M, N, O, P, Q
Manual: 9	0.25% Pb: No	Spare Parts Only: No
Approved: 30-Aug-2006	Renewed: 30-Aug-2015	Bypass: Watts 007M3QT 3/4" (VU)
Shutoffs: (yyy)		

Type: DCDA	Manufacturer: Watts	Model: 767aDCDABF
Size: 4	Orientation: VU	Meters: (N), G, H, I J, K L, M, N, O, P, Q
Manual: 9	0.25% Pb: No	Spare Parts Only: No
Approved: 18-Jan-2005	Renewed: 18-Jan-2014	Bypass: Watts 007M3QT 3/4" (VU)
Shutoffs: (yyy)		

Type: DCDA	Manufacturer: Watts	Model: 767aDCDAGV
Size: 2 1/2	Orientation: H	Meters: (N),G,H,I,J,K,L,M,O,P,Q
Manual: 9	0.25% Pb: No	Spare Parts Only: No
Approved: 06-Nov-2003	Renewed: 06-Nov-2012	Bypass: Watts 007M3QT 3/4" (H)
Shutoffs: (zzz)		

Type: DCDA	Manufacturer: Watts	Model: 767aDCDAGV
Size: 2 1/2	Orientation: VU	Meters: (N),G,H,I,J,K,L,M,O,P,Q
Manual: 9	0.25% Pb: No	Spare Parts Only: No
Approved: 06-Nov-2003	Renewed: 06-Nov-2012	Bypass: Watts 007M3QT 3/4" (VU)
Shutoffs: (zzz)		

Type: DCDA	Manufacturer: Watts	Model: 767aDCDAGV
Size: 3	Orientation: H	Meters: (N),G,H,I,J,K,L,M,O,P,Q
Manual: 9	0.25% Pb: No	Spare Parts Only: No
Approved: 06-Nov-2003	Renewed: 06-Nov-2012	Bypass: Watts 007M3QT 3/4" (H)
Shutoffs: (zzz)		

Type: DCDA **Manufacturer:** Watts **Model:** 767aDCDAGV
Size: 3 **Orientation:** VU **Meters:** (N),G,H,I,J,K,L,M,O,P,Q
Manual: 9 **0.25% Pb:** No **Spare Parts Only:** No
Approved: 06-Nov-2003 **Renewed:** 06-Nov-2012 **Bypass:** Watts 007M3QT 3/4" (VU)
Shutoffs: (zzz)

Type: DCDA **Manufacturer:** Watts **Model:** 767aDCDAGV
Size: 4 **Orientation:** H **Meters:** (N),G,H,I,J,K,L,M,O,P,Q
Manual: 9 **0.25% Pb:** No **Spare Parts Only:** No
Approved: 06-Nov-2003 **Renewed:** 06-Nov-2012 **Bypass:** Watts 007M3QT 3/4" (H)
Shutoffs: (zzz)

Type: DCDA **Manufacturer:** Watts **Model:** 767aDCDAGV
Size: 4 **Orientation:** VU **Meters:** (N), G, H, I J, K L, M, N, O, P, Q
Manual: 9 **0.25% Pb:** No **Spare Parts Only:** No
Approved: 18-Jan-2005 **Renewed:** 18-Jan-2014 **Bypass:** Watts 007M3QT 3/4" (VU)
Shutoffs: (zzz)

Type: DCDA **Manufacturer:** Watts **Model:** 767DCDABF
Size: 2 1/2 **Orientation:** H **Meters:** (N),G,H,I,J,K,L,M,O,P,Q
Manual: 9 **0.25% Pb:** No **Spare Parts Only:** No
Approved: 04-Oct-2005 **Renewed:** 04-Oct-2014 **Bypass:** Watts 007M3QT 3/4" (H)
Shutoffs: (yyy)

Type: DCDA **Manufacturer:** Watts **Model:** 767DCDABF
Size: 2 1/2 **Orientation:** VU **Meters:** (N),G,H,I,J,K,L,M,O,P,Q
Manual: 9 **0.25% Pb:** No **Spare Parts Only:** No
Approved: 04-Oct-2005 **Renewed:** 04-Oct-2014 **Bypass:** Watts 007M3QT 3/4" (V)
Shutoffs: (yyy)

Type: DCDA **Manufacturer:** Watts **Model:** 767DCDABF
Size: 3 **Orientation:** H **Meters:** (N),G,H,I,J,K,L,M,O,P,Q
Manual: 9 **0.25% Pb:** No **Spare Parts Only:** No
Approved: 04-Oct-2005 **Renewed:** 04-Oct-2014 **Bypass:** Watts 007M3QT 3/4" (H)
Shutoffs: (yyy)

Type: DCDA	Manufacturer: Watts	Model: 767DCDABF
Size: 3	Orientation: VU	Meters: (N),G,H,I,J,K,L,M,O,P,Q
Manual: 9	0.25% Pb: No	Spare Parts Only: No
Approved: 04-Oct-2005	Renewed: 04-Oct-2014	Bypass: Watts 007M3QT 3/4" (V)
Shutoffs: (yyy)		
Type: DCDA	Manufacturer: Watts	Model: 767DCDABF
Size: 4	Orientation: H	Meters: (N), G, H, I J, K L, M, N, O, P, Q
Manual: 9	0.25% Pb: No	Spare Parts Only: No
Approved: 19-Mar-2007	Renewed: 23-Mar-2013	Bypass: Watts 007M3QT 3/4" (H)
Shutoffs: (yyy)		
Type: DCDA	Manufacturer: Watts	Model: 767DCDABF
Size: 4	Orientation: VU	Meters: (N), G, H, I J, K L, M, N, O, P, Q
Manual: 9	0.25% Pb: No	Spare Parts Only: No
Approved: 19-Mar-2007	Renewed: 23-Mar-2013	Bypass: Watts 007M3QT 3/4" (VU)
Shutoffs: (yyy)		
Type: DCDA	Manufacturer: Watts	Model: 767DCDABF
Size: 6	Orientation: H	Meters: (N), G, H, I J, K L, M, N, O, P, Q
Manual: 9	0.25% Pb: No	Spare Parts Only: No
Approved: 09-Mar-2007	Renewed: 09-Mar-2013	Bypass: Watts 007M3QT 3/4" (H & VU)
Shutoffs: (yyy)		
Type: DCDA	Manufacturer: Watts	Model: 767DCDABF
Size: 6	Orientation: VU	Meters: (N), G, H, I J, K L, M, N, O, P, Q
Manual: 9	0.25% Pb: No	Spare Parts Only: No
Approved: 09-Mar-2007	Renewed: 09-Mar-2013	Bypass: Watts 007M3QT 3/4" (H & VU)
Shutoffs: (yyy)		
Type: DCDA	Manufacturer: Watts	Model: 767DCDABF
Size: 8	Orientation: H	Meters: (N),G,H,I,J,K,L,M,O,P,Q
Manual: 9	0.25% Pb: No	Spare Parts Only: No
Approved: 17-Sep-2009	Renewed: 17-Sep-2015	Bypass: Watts 007M3QT 3/4" (H), Ames 2000 BM3 (H)
Shutoffs: (yyy)		

Type: DCDA
Size: 8
Manual: 9
Approved: 17-Sep-2009
Shutoffs: (yyy)

Manufacturer: Watts
Orientation: VU
0.25% Pb: No
Renewed: 17-Sep-2015

Model: 767DCDABF
Meters: (N),G,H,I,J,K,L,M,O,P,Q
Spare Parts Only: No
Bypass: Watts 007M3QT 3/4" (V),
Ames 2000 BM3 (V)

Type: DCDA
Size: 10
Manual: 9
Approved: 17-Sep-2009
Shutoffs: (yyy)

Manufacturer: Watts
Orientation: H
0.25% Pb: No
Renewed: 17-Sep-2015

Model: 767DCDABF
Meters: (N),G,H,I,J,K,L,M,O,P,Q
Spare Parts Only: No
Bypass: Watts 007M3QT 3/4" (H),
Ames 2000 BM3 (H)

Type: DCDA
Size: 10
Manual: 9
Approved: 17-Sep-2009
Shutoffs: (yyy)

Manufacturer: Watts
Orientation: VU
0.25% Pb: No
Renewed: 17-Sep-2015

Model: 767DCDABF
Meters: (N),G,H,I,J,K,L,M,O,P,Q
Spare Parts Only: No
Bypass: Watts 007M3QT 3/4" (V),
Ames 2000 BM3 (V)

Type: DCDA
Size: 2 1/2
Manual: 9
Approved: 04-Oct-2005
Shutoffs: (zzz)

Manufacturer: Watts
Orientation: H
0.25% Pb: No
Renewed: 04-Oct-2014

Model: 767DCDAGV
Meters: (N),G,H,I,J,K,L,M,O,P,Q
Spare Parts Only: No
Bypass: Watts 007M3QT 3/4" (H)

Type: DCDA
Size: 2 1/2
Manual: 9
Approved: 04-Oct-2005
Shutoffs: (zzz)

Manufacturer: Watts
Orientation: VU
0.25% Pb: No
Renewed: 04-Oct-2014

Model: 767DCDAGV
Meters: (N),G,H,I,J,K,L,M,O,P,Q
Spare Parts Only: No
Bypass: Watts 007M3QT 3/4" (V)

Type: DCDA
Size: 3
Manual: 9
Approved: 04-Oct-2005
Shutoffs: (zzz)

Manufacturer: Watts
Orientation: H
0.25% Pb: No
Renewed: 04-Oct-2014

Model: 767DCDAGV
Meters: (N),G,H,I,J,K,L,M,O,P,Q
Spare Parts Only: No
Bypass: Watts 007M3QT 3/4" (H)

Type: DCDA	Manufacturer: Watts	Model: 767DCDAGV
Size: 3	Orientation: VU	Meters: (N),G,H,I,J,K,L,M,O,P,Q
Manual: 9	0.25% Pb: No	Spare Parts Only: No
Approved: 04-Oct-2005	Renewed: 04-Oct-2014	Bypass: Watts 007M3QT 3/4" (V)
Shutoffs: (zzz)		
Type: DCDA	Manufacturer: Watts	Model: 767DCDAGV
Size: 4	Orientation: H	Meters: (N), G, H, I J, K L, M, N, O, P, Q
Manual: 9	0.25% Pb: No	Spare Parts Only: No
Approved: 19-Mar-2007	Renewed: 23-Mar-2013	Bypass: Watts 007M3QT 3/4" (H)
Shutoffs: (zzz)		
Type: DCDA	Manufacturer: Watts	Model: 767DCDAGV
Size: 4	Orientation: VU	Meters: (N), G, H, I J, K L, M, N, O, P, Q
Manual: 9	0.25% Pb: No	Spare Parts Only: No
Approved: 19-Mar-2007	Renewed: 23-Mar-2013	Bypass: Watts 007M3QT 3/4" (VU)
Shutoffs: (zzz)		
Type: DCDA	Manufacturer: Watts	Model: 767DCDAGV
Size: 6	Orientation: H	Meters: (N), G, H, I J, K L, M, N, O, P, Q
Manual: 9	0.25% Pb: No	Spare Parts Only: No
Approved: 09-Mar-2007	Renewed: 09-Mar-2013	Bypass: Watts 007M3QT 3/4" (H & VU)
Shutoffs: (zzz)		
Type: DCDA	Manufacturer: Watts	Model: 767DCDAGV
Size: 6	Orientation: VU	Meters: (N), G, H, I J, K L, M, N, O, P, Q
Manual: 9	0.25% Pb: No	Spare Parts Only: No
Approved: 09-Mar-2007	Renewed: 09-Mar-2013	Bypass: Watts 007M3QT 3/4" (H & VU)
Shutoffs: (zzz)		
Type: DCDA	Manufacturer: Watts	Model: 767DCDAGV
Size: 8	Orientation: H	Meters: (N),G,H,I,J,K,L,M,O,P,Q
Manual: 9	0.25% Pb: No	Spare Parts Only: No
Approved: 17-Sep-2009	Renewed: 17-Sep-2015	Bypass: Watts 007M3QT 3/4" (H), Ames 2000 BM3 (H)
Shutoffs: (zzz)		

Type: DCDA **Manufacturer:** Watts **Model:** 767DCDAGV
Size: 8 **Orientation:** VU **Meters:** (N),G,H,I,J,K,L,M,O,P,Q
Manual: 9 **0.25% Pb:** No **Spare Parts Only:** No
Approved: 17-Sep-2009 **Renewed:** 17-Sep-2015 **Bypass:** Watts 007M3QT 3/4" (V),
Ames 2000 BM3 (V)
Shutoffs: (zzz)

Type: DCDA **Manufacturer:** Watts **Model:** 767DCDAGV
Size: 10 **Orientation:** H **Meters:** (N),G,H,I,J,K,L,M,O,P,Q
Manual: 9 **0.25% Pb:** No **Spare Parts Only:** No
Approved: 17-Sep-2009 **Renewed:** 17-Sep-2015 **Bypass:** Watts 007M3QT 3/4" (H),
Ames 2000 BM3 (H)
Shutoffs: (zzz)

Type: DCDA **Manufacturer:** Watts **Model:** 767DCDAGV
Size: 10 **Orientation:** VU **Meters:** (N),G,H,I,J,K,L,M,O,P,Q
Manual: 9 **0.25% Pb:** No **Spare Parts Only:** No
Approved: 17-Sep-2009 **Renewed:** 17-Sep-2015 **Bypass:** Watts 007M3QT 3/4" (V),
Ames 2000 BM3 (V)
Shutoffs: (zzz)

Type: DCDA **Manufacturer:** Watts **Model:** 767NDCDABF
Size: 2 1/2 **Orientation:** VUVD **Meters:** (N),G,H,I,J,K,L,M,N,O,P,Q
Manual: 9 **0.25% Pb:** No **Spare Parts Only:** No
Approved: 07-Apr-2009 **Renewed:** 07-Apr-2015 **Bypass:** Watts 007M3QT 3/4" (H)
Shutoffs: (yyy)

Type: DCDA **Manufacturer:** Watts **Model:** 767NDCDABF
Size: 3 **Orientation:** VUVD **Meters:** (N),G,H,I,J,K,L,M,N,O,P,Q
Manual: 9 **0.25% Pb:** No **Spare Parts Only:** No
Approved: 07-Apr-2009 **Renewed:** 07-Apr-2015 **Bypass:** Watts 007M3QT 3/4" (H)
Shutoffs: (yyy)

Type: DCDA **Manufacturer:** Watts **Model:** 767NDCDABF
Size: 4 **Orientation:** VUVD **Meters:** (N),G,H,I,J,K,L,M,N,O,P,Q
Manual: 9 **0.25% Pb:** No **Spare Parts Only:** No
Approved: 07-Apr-2009 **Renewed:** 07-Apr-2015 **Bypass:** Watts 007M3QT 3/4" (H)
Shutoffs: (yyy)

Type: DCDA **Manufacturer:** Watts **Model:** 767NDCCDABF
Size: 6 **Orientation:** VUVD **Meters:** (N),G,H,I,J,K,L,M,N,O,P,Q
Manual: 9 **0.25% Pb:** No **Spare Parts Only:** No
Approved: 03-Jan-2013 **Renewed:** **Bypass:** Watts 007M3QT 3/4" (H)
Shutoffs: (yyy)

Type: DCDA **Manufacturer:** Watts **Model:** 767NDCCDABF
Size: 8 **Orientation:** VUVD **Meters:** (N), H,I,J,K,L,M,N,O,P,Q
Manual: 9 **0.25% Pb:** No **Spare Parts Only:** No
Approved: 28-May-2013 **Renewed:** **Bypass:** Watts 007M3QT 3/4" (H),
Ames 2000BM3 3/4" (H)
Shutoffs: (yyy)

Type: DCDA **Manufacturer:** Watts **Model:** 767NDCCDABF
Size: 10 **Orientation:** VUVD **Meters:** (N), H,I,J,K,L,M,N,O,P,Q
Manual: 9 **0.25% Pb:** No **Spare Parts Only:** No
Approved: 28-May-2013 **Renewed:** **Bypass:** Watts 007M3QT 3/4" (H),
Ames 2000BM3 3/4" (H)
Shutoffs: (yyy)

Type: DCDA **Manufacturer:** Watts **Model:** 767NDCCDAGV
Size: 2 1/2 **Orientation:** VUVD **Meters:** (N),G,H,I,J,K,L,M,N,O,P,Q
Manual: 9 **0.25% Pb:** No **Spare Parts Only:** No
Approved: 07-Apr-2009 **Renewed:** 07-Apr-2015 **Bypass:** Watts 007M3QT 3/4" (H)
Shutoffs: (zzz)

Type: DCDA **Manufacturer:** Watts **Model:** 767NDCCDAGV
Size: 3 **Orientation:** VUVD **Meters:** (N),G,H,I,J,K,L,M,N,O,P,Q
Manual: 9 **0.25% Pb:** No **Spare Parts Only:** No
Approved: 07-Apr-2009 **Renewed:** 07-Apr-2015 **Bypass:** Watts 007M3QT 3/4" (H)
Shutoffs: (zzz)

Type: DCDA **Manufacturer:** Watts **Model:** 767NDCCDAGV
Size: 4 **Orientation:** VUVD **Meters:** (N),G,H,I,J,K,L,M,N,O,P,Q
Manual: 9 **0.25% Pb:** No **Spare Parts Only:** No
Approved: 07-Apr-2009 **Renewed:** 07-Apr-2015 **Bypass:** Watts 007M3QT 3/4" (H)
Shutoffs: (zzz)

Type: DCDA	Manufacturer: Watts	Model: 767NDCCDAGV
Size: 6	Orientation: VUVD	Meters: (N),G,H,I,J,K,L,M,N,O,P,Q
Manual: 9	0.25% Pb: No	Spare Parts Only: No
Approved: 03-Jan-2013	Renewed:	Bypass: Watts 007M3QT 3/4" (H)
Shutoffs: (zzz)		

Type: DCDA	Manufacturer: Watts	Model: 767NDCCDAGV
Size: 8	Orientation: VUVD	Meters: (N), H,I,J,K,L,M,N,O,P,Q
Manual: 9	0.25% Pb: No	Spare Parts Only: No
Approved: 28-May-2013	Renewed:	Bypass: Watts 007M3QT 3/4" (H), Ames 2000BM3 3/4" (H)
Shutoffs: (zzz)		

Type: DCDA	Manufacturer: Watts	Model: 767NDCCDAGV
Size: 10	Orientation: VUVD	Meters: (N), H,I,J,K,L,M,N,O,P,Q
Manual: 9	0.25% Pb: No	Spare Parts Only: No
Approved: 28-May-2013	Renewed:	Bypass: Watts 007M3QT 3/4" (H), Ames 2000BM3 3/4" (H)
Shutoffs: (zzz)		

Type: DCDA	Manufacturer: Watts	Model: 770DCDA
Size: 4	Orientation: H	Meters: (H),A,B,C,D,E,F,G,I,J,K,L,M,N,O,P,Q
Manual: 8	0.25% Pb: No	Spare Parts Only: Yes
Approved: 20-May-1992	Renewed: 20-May-2013	Bypass: Watts 007M1QT 3/4" (H)
Shutoffs: pp, hh, mm, uu, zz		

Type: DCDA	Manufacturer: Watts	Model: 770DCDA
Size: 8	Orientation: H	Meters: (N),D,E,F,G,H,I,J,K,L,M,O,P,Q
Manual: 8	0.25% Pb: No	Spare Parts Only: Yes
Approved: 13-Jan-1993	Renewed: 13-Jan-2014	Bypass: Watts 007M1QT 3/4" (H)
Shutoffs: oo,gg,hh,ll,mm,pp,tt,uu		

Type: DCDA	Manufacturer: Watts	Model: 772DCDA
Size: 4	Orientation: H	Meters: (H),A,B,C,D,E,F,G,I,J,K,L,M,N,O,P,Q
Manual: 8	0.25% Pb: No	Spare Parts Only: Yes
Approved: 01-Aug-1992	Renewed: 01-Aug-2013	Bypass: Watts 007M1QT 3/4" (H)
Shutoffs: oo		

Type: DCDA	Manufacturer: Watts	Model: 772DCDA
Size: 10	Orientation: H	Meters: (H),A,B,C,D,E,F,G,I,J,K,L,M,N,O,P,Q
Manual: 8	0.25% Pb: No	Spare Parts Only: Yes
Approved: 13-Jan-1993	Renewed: 13-Jan-2014	Bypass: Watts 007M1QT 3/4" (H)
Shutoffs: oo		

Type: DCDA	Manufacturer: Watts	Model: 774DCDA
Size: 2 1/2	Orientation: H	Meters: (M),A,B,C,D,E,F,G,H,I,J,K,L,N,O,P,Q
Manual: 8	0.25% Pb: No	Spare Parts Only: No
Approved: 24-May-1995	Renewed: 24-May-2013	Bypass: Watts 007M2QT 3/4: (H), Ames 2000B 3/4" (H)
Shutoffs: (uu),ee,ff,gg,hh,ll,mm,oo,pp,tt,ccc,ddd,ffff,gggg		

Type: DCDA	Manufacturer: Watts	Model: 774DCDA
Size: 3	Orientation: H	Meters: (M),A,B,C,D,E,F,G,H,I,J,K,L,N,O,P,Q
Manual: 8	0.25% Pb: No	Spare Parts Only: No
Approved: 24-May-1995	Renewed: 24-May-2013	Bypass: Watts 007M2QT 3/4: (H), Ames 2000B 3/4" (H)
Shutoffs: (uu),ee,ff,gg,hh,ll,mm,oo,pp,tt,ccc,ddd,ffff,gggg		

Type: DCDA	Manufacturer: Watts	Model: 774DCDA
Size: 4	Orientation: H	Meters: (M),A,B,C,D,E,F,G,H,I,J,K,L,N,O,P,Q
Manual: 8	0.25% Pb: No	Spare Parts Only: No
Approved: 24-May-1995	Renewed: 24-May-2013	Bypass: Watts 007M2QT 3/4: (H), Ames 2000B 3/4" (H)
Shutoffs: (uu),ee,ff,gg,hh,ll,mm,oo,pp,tt,ccc,ddd,ffff,gggg		

Type: DCDA	Manufacturer: Watts	Model: 774DCDA
Size: 6	Orientation: H	Meters: (M),A,B,C,D,E,F,G,H,I,J,K,L,N,O,P,Q
Manual: 8	0.25% Pb: No	Spare Parts Only: No
Approved: 09-Sep-1992	Renewed: 09-Sep-2013	Bypass: Watts 007M1QT 3/4" (H)
Shutoffs: (uu),ee,ff,gg,hh,ll,mm,oo,pp,tt,ccc,ddd,ffff,gggg		

Type: DCDA
Size: 8
Manual: 8
Approved: 16-Sep-1996
Shutoffs: (mm),ee,ff,gg,hh,ll,oo,pp,tt,uu,ccc,ddd,ffff,gggg

Manufacturer: Watts
Orientation: H
0.25% Pb: No
Renewed: 16-Sep-2014

Model: 774DCDA
Meters: (M),A,B,C,D,E,F,G,H,I,J,K,L,N,O,P,Q
Spare Parts Only: No
Bypass: Watts 007M2QT 3/4: (H),
Ames 2000B 3/4" (H)

Type: DCDA
Size: 10
Manual: 8
Approved: 16-Feb-2001
Shutoffs: (ll),mm,ffff,gggg

Manufacturer: Watts
Orientation: H
0.25% Pb: No
Renewed: 16-Feb-2013

Model: 774DCDA
Meters: (J),C,E,F,G,H,I,K,L,M,N,O,P,Q
Spare Parts Only: No
Bypass: Watts 007M2QT 3/4: (H),
Ames 2000B 3/4" (H)

Type: DCDA
Size: 12
Manual: 9
Approved: 18-Feb-2010
Shutoffs: (mm), ll

Manufacturer: Watts
Orientation: H
0.25% Pb: No
Renewed: 18-Feb-2013

Model: 774DCDA
Meters: (N),H,I,J,K,L,M,O,P,Q
Spare Parts Only: No
Bypass: Ames 2000BM3 3/4" (H);
Watts 007M3QT 3/4" (H)

Type: DCDA
Size: 12
Manual: 9
Approved: 21-Mar-2011
Shutoffs: (mm), ll

Manufacturer: Watts
Orientation: VU
0.25% Pb: No
Renewed: 21-Mar-2014

Model: 774DCDA
Meters: (N),H,I,J,K,L,M,O,P,Q
Spare Parts Only: No
Bypass: Ames 2000BM3 3/4" (H);
Watts 007M3QT 3/4" (H)

Type: DCDA
Size: 12
Manual: 9
Approved: 18-Feb-2010
Shutoffs: (mm), ll

Manufacturer: Watts
Orientation: H
0.25% Pb: No
Renewed: 18-Feb-2013

Model: 774DCDA-1
Meters: (N),H,I,J,K,L,M,O,P,Q
Spare Parts Only: No
Bypass: Ames 200B 3/4" (H); Watts
719QT 3/4" (H)

Type: DCDA
Size: 12
Manual: 9
Approved: 21-Mar-2011
Shutoffs: (mm), ll

Manufacturer: Watts
Orientation: VU
0.25% Pb: No
Renewed: 21-Mar-2014

Model: 774DCDA-1
Meters: (N), H,I,J,K,L,M,O,P,Q
Spare Parts Only: No
Bypass: Ames 200B 3/4" (VU); Watts
719QT 3/4" (VU)

Type: DCDA **Manufacturer:** Watts **Model:** 774XDCDA
Size: 2 1/2 **Orientation:** H **Meters:** (M),N,O,P,Q
Manual: 8 **0.25% Pb:** No **Spare Parts Only:** No
Approved: 10-Sep-1996 **Renewed:** 10-Sep-2014 **Bypass:** Watts 007M2QT 3/4: (H),
Ames 2000B 3/4" (H)
Shutoffs: (mm),ee,ff,gg,hh,ll,oo,pp,tt,uu,ccc,ddd,ffff,gggg

Type: DCDA **Manufacturer:** Watts **Model:** 774XDCDA
Size: 6 **Orientation:** H **Meters:**
(M),A,B,C,D,E,F,G,H,I,J,K,L,N,O,P,Q
Manual: 8 **0.25% Pb:** No **Spare Parts Only:** No
Approved: 24-May-1995 **Renewed:** 24-May-2013 **Bypass:** Watts 007M2QT 3/4: (H),
Ames 2000B 3/4" (H)
Shutoffs: (uu),ee,ff,gg,hh,ll,mm,oo,pp,tt,uu,ccc,ddd,ffff,gggg

Type: DCDA **Manufacturer:** Watts **Model:** 774XDCDA
Size: 8 **Orientation:** H **Meters:**
(M),A,B,C,D,E,F,G,H,I,J,K,L,N,O,P,Q
Manual: 8 **0.25% Pb:** No **Spare Parts Only:** No
Approved: 09-Sep-1992 **Renewed:** 09-Sep-2013 **Bypass:** Watts 007M1QT 3/4" (H)
Shutoffs: (uu),ee,ff,gg,hh,ll,mm,oo,pp,tt,ccc,ddd,ffff,gggg

Type: DCDA **Manufacturer:** Watts **Model:** LF757DCDABF
Size: 2 1/2 **Orientation:** H **Meters:** (O)
Manual: 9 **0.25% Pb:** Yes **Spare Parts Only:** No
Approved: 08-Jan-2014 **Renewed:** **Bypass:** Watts LF007M3QT 3/4" (H)
Shutoffs: (yyy)
Notes: Lead free compliant version identified with NSF61 mark on meter

Type: DCDA **Manufacturer:** Watts **Model:** LF757DCDABF
Size: 2 1/2 **Orientation:** VU **Meters:** (O)
Manual: 9 **0.25% Pb:** Yes **Spare Parts Only:** No
Approved: 08-Jan-2014 **Renewed:** **Bypass:** Watts LF007M3QT 3/4" (VU)
Shutoffs: (yyy)
Notes: Lead free compliant version identified with NSF61 mark on meter

Type: DCDA **Manufacturer:** Watts **Model:** LF757DCDABF
Size: 3 **Orientation:** H **Meters:** (O)
Manual: 9 **0.25% Pb:** Yes **Spare Parts Only:** No
Approved: 08-Jan-2014 **Renewed:** **Bypass:** Watts LF007M3QT 3/4" (H)
Shutoffs: (yyy)
Notes: Lead free compliant version identified with NSF61 mark on meter

Type: DCDA **Manufacturer:** Watts **Model:** LF757DCDABF
Size: 3 **Orientation:** VU **Meters:** (O)
Manual: 9 **0.25% Pb:** Yes **Spare Parts Only:** No
Approved: 08-Jan-2014 **Renewed:** **Bypass:** Watts LF007M3QT 3/4" (VU)
Shutoffs: (yyy)
Notes: Lead free compliant version identified with NSF61 mark on meter

Type: DCDA **Manufacturer:** Watts **Model:** LF757DCDABF
Size: 4 **Orientation:** H **Meters:** (O)
Manual: 9 **0.25% Pb:** Yes **Spare Parts Only:** No
Approved: 08-Jan-2014 **Renewed:** **Bypass:** Watts LF007M3QT 3/4" (H)
Shutoffs: (yyy)
Notes: Lead free compliant version identified with NSF61 mark on meter

Type: DCDA **Manufacturer:** Watts **Model:** LF757DCDABF
Size: 4 **Orientation:** VU **Meters:** (O)
Manual: 9 **0.25% Pb:** Yes **Spare Parts Only:** No
Approved: 08-Jan-2014 **Renewed:** **Bypass:** Watts LF007M3QT 3/4" (VU)
Shutoffs: (yyy)
Notes: Lead free compliant version identified with NSF61 mark on meter

Type: DCDA **Manufacturer:** Watts **Model:** LF757DCDABF
Size: 6 **Orientation:** H **Meters:** (O)
Manual: 9 **0.25% Pb:** Yes **Spare Parts Only:** No
Approved: 08-Jan-2014 **Renewed:** **Bypass:** Watts LF007M3QT 3/4" (H)
Shutoffs: (yyy)
Notes: Lead free compliant version identified with NSF61 mark on meter

Type: DCDA **Manufacturer:** Watts **Model:** LF757DCDABF
Size: 6 **Orientation:** VU **Meters:** (O)
Manual: 9 **0.25% Pb:** Yes **Spare Parts Only:** No
Approved: 08-Jan-2014 **Renewed:** **Bypass:** Watts LF007M3QT 3/4" (VU)
Shutoffs: (yyy)
Notes: Lead free compliant version identified with NSF61 mark on meter

Type: DCDA **Manufacturer:** Watts **Model:** LF757DCDABF
Size: 8 **Orientation:** H **Meters:** (O)
Manual: 9 **0.25% Pb:** Yes **Spare Parts Only:** No
Approved: 08-Jan-2014 **Renewed:** **Bypass:** Watts LF007M3QT 3/4" (H)
Shutoffs: (yyy)
Notes: Lead free compliant version identified with NSF61 mark on meter

Type: DCDA **Manufacturer:** Watts **Model:** LF757DCDABF
Size: 8 **Orientation:** VU **Meters:** (O)
Manual: 9 **0.25% Pb:** Yes **Spare Parts Only:** No
Approved: 08-Jan-2014 **Renewed:** **Bypass:** Watts LF007M3QT 3/4" (VU)
Shutoffs: (yyy)
Notes: Lead free compliant version identified with NSF61 mark on meter

Type: DCDA **Manufacturer:** Watts **Model:** LF757DCDABF
Size: 10 **Orientation:** H **Meters:** (O)
Manual: 9 **0.25% Pb:** Yes **Spare Parts Only:** No
Approved: 08-Jan-2014 **Renewed:** **Bypass:** Watts LF007M3QT 3/4" (H)
Shutoffs: (yyy)
Notes: Lead free compliant version identified with NSF61 mark on meter

Type: DCDA **Manufacturer:** Watts **Model:** LF757DCDABF
Size: 10 **Orientation:** VU **Meters:** (O)
Manual: 9 **0.25% Pb:** Yes **Spare Parts Only:** No
Approved: 08-Jan-2014 **Renewed:** **Bypass:** Watts LF007M3QT 3/4" (VU)
Shutoffs: (yyy)
Notes: Lead free compliant version identified with NSF61 mark on meter

Type: DCDA **Manufacturer:** Watts **Model:** LF757DCDAGV
Size: 2 1/2 **Orientation:** H **Meters:** (O)
Manual: 9 **0.25% Pb:** Yes **Spare Parts Only:** No
Approved: 08-Jan-2014 **Renewed:** **Bypass:** Watts LF007M3QT 3/4" (H)
Shutoffs: (zzz)
Notes: Lead free compliant version identified with NSF61 mark on meter

Type: DCDA **Manufacturer:** Watts **Model:** LF757DCDAGV
Size: 2 1/2 **Orientation:** VU **Meters:** (O)
Manual: 9 **0.25% Pb:** Yes **Spare Parts Only:** No
Approved: 08-Jan-2014 **Renewed:** **Bypass:** Watts LF007M3QT 3/4" (VU)
Shutoffs: (zzz)
Notes: Lead free compliant version identified with NSF61 mark on meter

Type: DCDA **Manufacturer:** Watts **Model:** LF757DCDAGV
Size: 3 **Orientation:** H **Meters:** (O)
Manual: 9 **0.25% Pb:** Yes **Spare Parts Only:** No
Approved: 08-Jan-2014 **Renewed:** **Bypass:** Watts LF007M3QT 3/4" (H)
Shutoffs: (zzz)
Notes: Lead free compliant version identified with NSF61 mark on meter

Type: DCDA **Manufacturer:** Watts **Model:** LF757DCDAGV
Size: 3 **Orientation:** VU **Meters:** (O)
Manual: 9 **0.25% Pb:** Yes **Spare Parts Only:** No
Approved: 08-Jan-2014 **Renewed:** **Bypass:** Watts LF007M3QT 3/4" (VU)
Shutoffs: (zzz)
Notes: Lead free compliant version identified with NSF61 mark on meter

Type: DCDA **Manufacturer:** Watts **Model:** LF757DCDAGV
Size: 4 **Orientation:** H **Meters:** (O)
Manual: 9 **0.25% Pb:** Yes **Spare Parts Only:** No
Approved: 08-Jan-2014 **Renewed:** **Bypass:** Watts LF007M3QT 3/4" (H)
Shutoffs: (zzz)
Notes: Lead free compliant version identified with NSF61 mark on meter

Type: DCDA **Manufacturer:** Watts **Model:** LF757DCDAGV
Size: 4 **Orientation:** VU **Meters:** (O)
Manual: 9 **0.25% Pb:** Yes **Spare Parts Only:** No
Approved: 08-Jan-2014 **Renewed:** **Bypass:** Watts LF007M3QT 3/4" (VU)
Shutoffs: (zzz)
Notes: Lead free compliant version identified with NSF61 mark on meter

Type: DCDA **Manufacturer:** Watts **Model:** LF757DCDAGV
Size: 6 **Orientation:** H **Meters:** (O)
Manual: 9 **0.25% Pb:** Yes **Spare Parts Only:** No
Approved: 08-Jan-2014 **Renewed:** **Bypass:** Watts LF007M3QT 3/4" (H)
Shutoffs: (zzz)
Notes: Lead free compliant version identified with NSF61 mark on meter

Type: DCDA **Manufacturer:** Watts **Model:** LF757DCDAGV
Size: 6 **Orientation:** VU **Meters:** (O)
Manual: 9 **0.25% Pb:** Yes **Spare Parts Only:** No
Approved: 08-Jan-2014 **Renewed:** **Bypass:** Watts LF007M3QT 3/4" (VU)
Shutoffs: (zzz)
Notes: Lead free compliant version identified with NSF61 mark on meter

Type: DCDA **Manufacturer:** Watts **Model:** LF757DCDAGV
Size: 8 **Orientation:** H **Meters:** (O)
Manual: 9 **0.25% Pb:** Yes **Spare Parts Only:** No
Approved: 08-Jan-2014 **Renewed:** **Bypass:** Watts LF007M3QT 3/4" (H)
Shutoffs: (zzz)
Notes: Lead free compliant version identified with NSF61 mark on meter

Type: DCDA **Manufacturer:** Watts **Model:** LF757DCDAGV
Size: 8 **Orientation:** VU **Meters:** (O)
Manual: 9 **0.25% Pb:** Yes **Spare Parts Only:** No
Approved: 08-Jan-2014 **Renewed:** **Bypass:** Watts LF007M3QT 3/4" (VU)
Shutoffs: (zzz)
Notes: Lead free compliant version identified with NSF61 mark on meter

Type: DCDA **Manufacturer:** Watts **Model:** LF757DCDAGV
Size: 10 **Orientation:** H **Meters:** (O)
Manual: 9 **0.25% Pb:** Yes **Spare Parts Only:** No
Approved: 08-Jan-2014 **Renewed:** **Bypass:** Watts LF007M3QT 3/4" (H)
Shutoffs: (zzz)
Notes: Lead free compliant version identified with NSF61 mark on meter

Type: DCDA **Manufacturer:** Watts **Model:** LF757DCDAGV
Size: 10 **Orientation:** VU **Meters:** (O)
Manual: 9 **0.25% Pb:** Yes **Spare Parts Only:** No
Approved: 08-Jan-2014 **Renewed:** **Bypass:** Watts LF007M3QT 3/4" (VU)
Shutoffs: (zzz)
Notes: Lead free compliant version identified with NSF61 mark on meter

Type: DCDA **Manufacturer:** Watts **Model:** LF757NDCCDABF
Size: 2 1/2 **Orientation:** VUVD **Meters:** (O)
Manual: 9 **0.25% Pb:** Yes **Spare Parts Only:** No
Approved: 08-Jan-2014 **Renewed:** **Bypass:** Watts LF007M3QT 3/4" (H)
Shutoffs: (yyy)
Notes: Lead free compliant version identified with NSF61 mark on meter

Type: DCDA **Manufacturer:** Watts **Model:** LF757NDCCDABF
Size: 3 **Orientation:** VUVD **Meters:** (O)
Manual: 9 **0.25% Pb:** Yes **Spare Parts Only:** No
Approved: 08-Jan-2014 **Renewed:** **Bypass:** Watts LF007M3QT 3/4" (H)
Shutoffs: (yyy)
Notes: Lead free compliant version identified with NSF61 mark on meter

Type: DCDA **Manufacturer:** Watts **Model:** LF757NDCCDABF
Size: 4 **Orientation:** VUVD **Meters:** (O)
Manual: 9 **0.25% Pb:** Yes **Spare Parts Only:** No
Approved: 08-Jan-2014 **Renewed:** **Bypass:** Watts LF007M3QT 3/4" (H)
Shutoffs: (yyy)
Notes: Lead free compliant version identified with NSF61 mark on meter

Type: DCDA **Manufacturer:** Watts **Model:** LF757NDCDABF
Size: 6 **Orientation:** VUVD **Meters:** (O)
Manual: 9 **0.25% Pb:** Yes **Spare Parts Only:** No
Approved: 08-Jan-2014 **Renewed:** **Bypass:** Watts LF007M3QT 3/4" (H)
Shutoffs: (yyy)
Notes: Lead free compliant version identified with NSF61 mark on meter

Type: DCDA **Manufacturer:** Watts **Model:** LF757NDCDABF
Size: 8 **Orientation:** VUVD **Meters:** (O)
Manual: 9 **0.25% Pb:** Yes **Spare Parts Only:** No
Approved: 08-Jan-2014 **Renewed:** **Bypass:** Watts LF007M3QT 3/4" (H)
Shutoffs: (yyy)
Notes: Lead free compliant version identified with NSF61 mark on meter

Type: DCDA **Manufacturer:** Watts **Model:** LF757NDCDABF
Size: 10 **Orientation:** VUVD **Meters:** (O)
Manual: 9 **0.25% Pb:** Yes **Spare Parts Only:** No
Approved: 08-Jan-2014 **Renewed:** **Bypass:** Watts LF007M3QT 3/4" (H)
Shutoffs: (yyy)
Notes: Lead free compliant version identified with NSF61 mark on meter

Type: DCDA **Manufacturer:** Watts **Model:** LF757NDCDAGV
Size: 2 1/2 **Orientation:** VUVD **Meters:** (O)
Manual: 9 **0.25% Pb:** Yes **Spare Parts Only:** No
Approved: 08-Jan-2014 **Renewed:** **Bypass:** Watts LF007M3QT 3/4" (H)
Shutoffs: (zzz)
Notes: Lead free compliant version identified with NSF61 mark on meter

Type: DCDA **Manufacturer:** Watts **Model:** LF757NDCDAGV
Size: 3 **Orientation:** VUVD **Meters:** (O)
Manual: 9 **0.25% Pb:** Yes **Spare Parts Only:** No
Approved: 08-Jan-2014 **Renewed:** **Bypass:** Watts LF007M3QT 3/4" (H)
Shutoffs: (zzz)
Notes: Lead free compliant version identified with NSF61 mark on meter

Type: DCDA **Manufacturer:** Watts **Model:** LF757NDCDAGV
Size: 4 **Orientation:** VUVD **Meters:** (O)
Manual: 9 **0.25% Pb:** Yes **Spare Parts Only:** No
Approved: 08-Jan-2014 **Renewed:** **Bypass:** Watts LF007M3QT 3/4" (H)
Shutoffs: (zzz)
Notes: Lead free compliant version identified with NSF61 mark on meter

Type: DCDA **Manufacturer:** Watts **Model:** LF757NDCCDAGV
Size: 6 **Orientation:** VUVD **Meters:** (O)
Manual: 9 **0.25% Pb:** Yes **Spare Parts Only:** No
Approved: 08-Jan-2014 **Renewed:** **Bypass:** Watts LF007M3QT 3/4" (H)
Shutoffs: (zzz)
Notes: Lead free compliant version identified with NSF61 mark on meter

Type: DCDA **Manufacturer:** Watts **Model:** LF757NDCCDAGV
Size: 8 **Orientation:** VUVD **Meters:** (O)
Manual: 9 **0.25% Pb:** Yes **Spare Parts Only:** No
Approved: 08-Jan-2014 **Renewed:** **Bypass:** Watts LF007M3QT 3/4" (H)
Shutoffs: (zzz)
Notes: Lead free compliant version identified with NSF61 mark on meter

Type: DCDA **Manufacturer:** Watts **Model:** LF757NDCCDAGV
Size: 10 **Orientation:** VUVD **Meters:** (O)
Manual: 9 **0.25% Pb:** Yes **Spare Parts Only:** No
Approved: 08-Jan-2014 **Renewed:** **Bypass:** Watts LF007M3QT 3/4" (H)
Shutoffs: (zzz)
Notes: Lead free compliant version identified with NSF61 mark on meter

Type: DCDA **Manufacturer:** Wilkins **Model:** 350ADA
Size: 2 1/2 **Orientation:** H **Meters:**
(M),A,B,C,D,E,F,G,H,I,J,K,L,M,N,O,P,Q
Manual: 9 **0.25% Pb:** No **Spare Parts Only:** No
Approved: 22-Jun-2005 **Renewed:** 22-Jun-2014 **Bypass:** Wilkins 950XLD 3/4" (H)
Shutoffs: (qqq),ttt,yyy,zzz,uuuu,vvvv,xxxx,yyyy,kkkkk,l1111

Type: DCDA **Manufacturer:** Wilkins **Model:** 350ADA
Size: 2 1/2 **Orientation:** H **Meters:** (O), M
Manual: 9 **0.25% Pb:** Yes **Spare Parts Only:** No
Approved: 18-Feb-2014 **Renewed:** **Bypass:** Wilkins 950XLD 3/4" (H)
Shutoffs: (qqq),ttt,www,yyy,xxxx,yyyy,kkkkk,l1111
Notes: Lead free compliant version: Starting Serial # V39030; By-pass Assembly Starting Serial # 3863325 and identified with NSF61 mark on meter

Type: DCDA **Manufacturer:** Wilkins **Model:** 350ADA
Size: 2 1/2 **Orientation:** VU **Meters:**
(M),A,B,C,D,E,F,G,H,I,J,K,L,M,N,O,P,Q
Manual: 9 **0.25% Pb:** No **Spare Parts Only:** No
Approved: 22-Jun-2005 **Renewed:** 22-Jun-2014 **Bypass:** Wilkins 950XLD 3/4" (VU)
Shutoffs: (qqq),ttt,yyy,zzz,uuuu,vvvv,xxxx,yyyy,kkkkk,lllll

Type: DCDA **Manufacturer:** Wilkins **Model:** 350ADA
Size: 2 1/2 **Orientation:** VU **Meters:** (O), M
Manual: 9 **0.25% Pb:** Yes **Spare Parts Only:** No
Approved: 18-Feb-2014 **Renewed:** **Bypass:** Wilkins 950XLD 3/4" (VU)
Shutoffs: (qqq),ttt,www,yyy,xxxx,yyyy,kkkkk,lllll
Notes: Lead free compliant version: Starting Serial # V39030; By-pass Assembly Starting Serial # 3863325 and identified with NSF61 mark on meter

Type: DCDA **Manufacturer:** Wilkins **Model:** 350ADA
Size: 3 **Orientation:** H **Meters:**
(M),A,B,C,D,E,F,G,H,I,J,K,L,M,N,O,P,Q
Manual: 9 **0.25% Pb:** No **Spare Parts Only:** No
Approved: 22-Jun-2005 **Renewed:** 22-Jun-2014 **Bypass:** Wilkins 950XLD 3/4" (H)
Shutoffs: (qqq),ttt,yyy,zzz,uuuu,vvvv,xxxx,yyyy,kkkkk,lllll

Type: DCDA **Manufacturer:** Wilkins **Model:** 350ADA
Size: 3 **Orientation:** H **Meters:** (O), M
Manual: 9 **0.25% Pb:** Yes **Spare Parts Only:** No
Approved: 18-Feb-2014 **Renewed:** **Bypass:** Wilkins 950XLD 3/4" (H)
Shutoffs: (qqq),ttt,www,yyy,xxxx,yyyy,kkkkk,lllll
Notes: Lead free compliant version: Starting Serial # V39030; By-pass Assembly Starting Serial # 3863325 and identified with NSF61 mark on meter

Type: DCDA **Manufacturer:** Wilkins **Model:** 350ADA
Size: 3 **Orientation:** VU **Meters:**
(M),A,B,C,D,E,F,G,H,I,J,K,L,M,N,O,P,Q
Manual: 9 **0.25% Pb:** No **Spare Parts Only:** No
Approved: 22-Jun-2005 **Renewed:** 22-Jun-2014 **Bypass:** Wilkins 950XLD 3/4" (VU)
Shutoffs: (qqq),ttt,yyy,zzz,uuuu,vvvv,xxxx,yyyy,kkkkk,lllll

Type: DCDA **Manufacturer:** Wilkins **Model:** 350ADA
Size: 3 **Orientation:** VU **Meters:** (O), M
Manual: 9 **0.25% Pb:** Yes **Spare Parts Only:** No
Approved: 18-Feb-2014 **Renewed:** **Bypass:** Wilkins 950XLD 3/4" (VU)
Shutoffs: (qqq),ttt,www,yyy,xxxx,yyyy,kkkkk,lllll

Notes: Lead free compliant version: Starting Serial # V39030; By-pass Assembly Starting Serial # 3863325 and identified with NSF61 mark on meter

Type: DCDA **Manufacturer:** Wilkins **Model:** 350ADA
Size: 4 **Orientation:** H **Meters:**
(M),A,B,C,D,E,F,G,H,I,J,K,L,N,O,P,Q
Manual: 9 **0.25% Pb:** No **Spare Parts Only:** No
Approved: 16-Mar-2004 **Renewed:** 16-Mar-2013 **Bypass:** Wilkins 950XLD 3/4" (H)
Shutoffs: (qqq),ttt,www,yyy,zzz,eeee,uuuu,vvvv,xxxx,yyyy,kkkkk,lllll

Type: DCDA **Manufacturer:** Wilkins **Model:** 350ADA
Size: 4 **Orientation:** H **Meters:** (O), M
Manual: 9 **0.25% Pb:** Yes **Spare Parts Only:** No
Approved: 18-Feb-2014 **Renewed:** **Bypass:** Wilkins 950XLD 3/4" (H)
Shutoffs: (qqq),ttt,www,yyy,xxxx,yyyy,kkkkk,lllll
Notes: Lead free compliant version: Starting Serial # V39030; By-pass Assembly Starting Serial # 3863325 and identified with NSF61 mark on meter

Type: DCDA **Manufacturer:** Wilkins **Model:** 350ADA
Size: 4 **Orientation:** VU **Meters:**
(M),A,B,C,D,E,F,G,H,I,J,K,L,N,O,P,Q
Manual: 9 **0.25% Pb:** No **Spare Parts Only:** No
Approved: 16-Mar-2004 **Renewed:** 16-Mar-2013 **Bypass:** Wilkins 950XLD 3/4" (VU)
Shutoffs: (qqq),ttt,www,yyy,zzz,eeee,uuuu,vvvv,xxxx,yyyy,kkkkk,lllll

Type: DCDA **Manufacturer:** Wilkins **Model:** 350ADA
Size: 4 **Orientation:** VU **Meters:** (O), M
Manual: 9 **0.25% Pb:** Yes **Spare Parts Only:** No
Approved: 18-Feb-2014 **Renewed:** **Bypass:** Wilkins 950XLD 3/4" (VU)
Shutoffs: (qqq),ttt,www,yyy,xxxx,yyyy,kkkkk,lllll
Notes: Lead free compliant version: Starting Serial # V39030; By-pass Assembly Starting Serial # 3863325 and identified with NSF61 mark on meter

Type: DCDA **Manufacturer:** Wilkins **Model:** 350ADA
Size: 6 **Orientation:** H **Meters:**
(M),A,B,C,D,E,F,G,H,I,J,K,L,N,O,P,Q
Manual: 9 **0.25% Pb:** No **Spare Parts Only:** No
Approved: 25-Nov-2003 **Renewed:** 25-Nov-2012 **Bypass:** Wilkins 950XLD 3/4" (H)
Shutoffs: (qqq),t,t,ww,yyy,zzz,eeee,uuuu,vvvv,xxxx,yyyy,kkkkk,l,llll

Type: DCDA **Manufacturer:** Wilkins **Model:** 350ADA
Size: 6 **Orientation:** H **Meters:** (O), M
Manual: 9 **0.25% Pb:** Yes **Spare Parts Only:** No
Approved: 18-Feb-2014 **Renewed:** **Bypass:** Wilkins 950XLD 3/4" (H)
Shutoffs: (qqq),t,t,ww,yyy,xxxx,yyyy,kkkkk,l,llll
Notes: Lead free compliant version: Starting Serial # V39030; By-pass Assembly Starting Serial # 3863325 and identified with NSF61 mark on meter

Type: DCDA **Manufacturer:** Wilkins **Model:** 350ADA
Size: 6 **Orientation:** VU **Meters:**
(M),A,B,C,D,E,F,G,H,I,J,K,L,N,O,P,Q
Manual: 9 **0.25% Pb:** No **Spare Parts Only:** No
Approved: 25-Nov-2003 **Renewed:** 25-Nov-2012 **Bypass:** Wilkins 950XLD 3/4" (VU)
Shutoffs: (qqq),t,t,ww,yyy,zzz,eeee,uuuu,vvvv,xxxx,yyyy,kkkkk,l,llll

Type: DCDA **Manufacturer:** Wilkins **Model:** 350ADA
Size: 6 **Orientation:** VU **Meters:** (O), M
Manual: 9 **0.25% Pb:** Yes **Spare Parts Only:** No
Approved: 18-Feb-2014 **Renewed:** **Bypass:** Wilkins 950XLD 3/4" (VU)
Shutoffs: (qqq),t,t,ww,yyy,xxxx,yyyy,kkkkk,l,llll
Notes: Lead free compliant version: Starting Serial # V39030; By-pass Assembly Starting Serial # 3863325 and identified with NSF61 mark on meter

Type: DCDA **Manufacturer:** Wilkins **Model:** 350ADA
Size: 8 **Orientation:** H **Meters:** (N),F,G,H,I,J,K,L,M,O,P,Q
Manual: 9 **0.25% Pb:** No **Spare Parts Only:** No
Approved: 12-Feb-2004 **Renewed:** 12-Feb-2013 **Bypass:** Wilkins 950XLD 3/4" (H)
Shutoffs: (qqq),t,t,ww,yyy,zzz,eeee,uuuu,vvvv,xxxx,yyyy,kkkkk,l,llll

Type: DCDA **Manufacturer:** Wilkins **Model:** 350ADA
Size: 8 **Orientation:** H **Meters:** (O), M
Manual: 9 **0.25% Pb:** Yes **Spare Parts Only:** No
Approved: 18-Feb-2014 **Renewed:** **Bypass:** Wilkins 950XLD 3/4" (H)
Shutoffs: (qqq),ttt,www,yyy,xxxx,yyyy,kkkkk,lllll
Notes: Lead free compliant version: Starting Serial # V39030; By-pass Assembly Starting Serial # 3863325 and identified with NSF61 mark on meter

Type: DCDA **Manufacturer:** Wilkins **Model:** 350ADA
Size: 8 **Orientation:** VU **Meters:** (N),F,G,H,I,J,K,L,M,O,P,Q
Manual: 9 **0.25% Pb:** No **Spare Parts Only:** No
Approved: 12-Feb-2004 **Renewed:** 12-Feb-2013 **Bypass:** Wilkins 950XLD 3/4" (VU)
Shutoffs: (qqq),ttt,www,yyy,zzz,eeee,uuuu,vvvv,xxxx,yyyy,kkkkk,lllll

Type: DCDA **Manufacturer:** Wilkins **Model:** 350ADA
Size: 8 **Orientation:** VU **Meters:** (O), M
Manual: 9 **0.25% Pb:** Yes **Spare Parts Only:** No
Approved: 18-Feb-2014 **Renewed:** **Bypass:** Wilkins 950XLD 3/4" (VU)
Shutoffs: (qqq),ttt,www,yyy,xxxx,yyyy,kkkkk,lllll
Notes: Lead free compliant version: Starting Serial # V39030; By-pass Assembly Starting Serial # 3863325 and identified with NSF61 mark on meter

Type: DCDA **Manufacturer:** Wilkins **Model:** 350ADA
Size: 10 **Orientation:** H **Meters:** (N), F, G, H, I J, K L, M, N, O,
P, Q
Manual: 9 **0.25% Pb:** No **Spare Parts Only:** No
Approved: 06-Apr-2006 **Renewed:** 06-Apr-2015 **Bypass:** Wilkins 950XLD 3/4" (H)
Shutoffs: (qqq),ttt,yyy,uuuu,vvvv,xxxx,yyyy,kkkkk,lllll

Type: DCDA **Manufacturer:** Wilkins **Model:** 350ADA
Size: 10 **Orientation:** H **Meters:** (O), M
Manual: 9 **0.25% Pb:** Yes **Spare Parts Only:** No
Approved: 18-Feb-2014 **Renewed:** **Bypass:** Wilkins 950XLD 3/4" (H)
Shutoffs: (qqq),ttt,www,yyy,xxxx,yyyy,kkkkk,lllll
Notes: Lead free compliant version: Starting Serial # V39030; By-pass Assembly Starting Serial # 3863325 and identified with NSF61 mark on meter

Type: DCDA **Manufacturer:** Wilkins **Model:** 350ADA
Size: 10 **Orientation:** VU **Meters:** (N), F, G, H, I J, K L, M, N, O,
P, Q
Manual: 9 **0.25% Pb:** No **Spare Parts Only:** No
Approved: 06-Apr-2006 **Renewed:** 06-Apr-2015 **Bypass:** Wilkins 950XLD 3/4" (VU)
Shutoffs: (qqq),ttt,yyy,uuuu,vvvv,xxxx,yyyy,kkkkk,lllll

Type: DCDA **Manufacturer:** Wilkins **Model:** 350ADA
Size: 10 **Orientation:** VU **Meters:** (O), M
Manual: 9 **0.25% Pb:** Yes **Spare Parts Only:** No
Approved: 18-Feb-2014 **Renewed:** **Bypass:** Wilkins 950XLD 3/4" (VU)
Shutoffs: (qqq),ttt,www,yyy,xxxx,yyyy,kkkkk,lllll
Notes: Lead free compliant version: Starting Serial # V39030; By-pass Assembly Starting Serial # 3863325 and identified with NSF61 mark on meter

Type: DCDA **Manufacturer:** Wilkins **Model:** 350ADAR
Size: 2 1/2 **Orientation:** H **Meters:**
(M),A,B,C,D,E,F,G,H,I,J,K,L,M,N,O,P,Q
Manual: 9 **0.25% Pb:** No **Spare Parts Only:** No
Approved: 16-Jun-2010 **Renewed:** 16-Jun-2013 **Bypass:** Wilkins 950XLD 3/4" (H)
Shutoffs: (qqq),ttt,yyy,zzz,uuuu,vvvv,xxxx,yyyy,kkkkk,lllll
Notes: Integral grooved spool between the #2 ck and #2 SOV - assembly length: min. 34 1/4" and max. 47 1/8"

Type: DCDA **Manufacturer:** Wilkins **Model:** 350ADAR
Size: 2 1/2 **Orientation:** H **Meters:** (O), M
Manual: 9 **0.25% Pb:** Yes **Spare Parts Only:** No
Approved: 18-Feb-2014 **Renewed:** **Bypass:** Wilkins 950XLD 3/4" (H)
Shutoffs: (qqq),ttt,www,yyy,xxxx,yyyy,kkkkk,lllll
Notes: Integral grooved spool between the #2 ck and #2 SOV - assembly length: min. 34 1/4" and max. 47 1/8" and Lead free compliant version: Starting Serial # E00687; By-pass Assembly Starting Serial # 3863325 and identified with NSF61 mark on meter

Type: DCDA **Manufacturer:** Wilkins **Model:** 350ADAR
Size: 2 1/2 **Orientation:** VU **Meters:**
(M),A,B,C,D,E,F,G,H,I,J,K,L,M,N,O,P,Q
Manual: 9 **0.25% Pb:** No **Spare Parts Only:** No
Approved: 16-Jun-2010 **Renewed:** 16-Jun-2013 **Bypass:** Wilkins 950XLD 3/4" (VU)
Shutoffs: (qqq),ttt,yyy,zzz,uuuu,vvvv,xxxx,yyyy,kkkkk,lllll
Notes: Integral grooved spool between the #2 ck and #2 SOV - assembly length: min. 34 1/4" and max. 47 1/8"

Type: DCDA	Manufacturer: Wilkins	Model: 350ADAR
Size: 6	Orientation: H	Meters: (O), M
Manual: 9	0.25% Pb: Yes	Spare Parts Only: No
Approved: 18-Feb-2014	Renewed:	Bypass: Wilkins 950XLD 3/4" (VU)
Shutoffs: (qqq),ttd,wwww,yyy,xxxx,yyyy,kkkkk,lllll		

Notes: Integral grooved spool between the #2 ck and #2 SOV - assembly length: min. 42 1/2" and max. 71 1/4" and Lead free compliant version: Starting Serial # E00687; By-pass Assembly Starting Serial # 3863325 and identified with NSF61 mark on meter

Type: DCDA	Manufacturer: Wilkins	Model: 350ADAR
Size: 6	Orientation: VU	Meters:
Manual: 9	0.25% Pb: No	(M),A,B,C,D,E,F,G,H,I,J,K,L,M,N,O,P,Q
Approved: 25-Mar-2010	Renewed: 25-Mar-2013	Spare Parts Only: No
Shutoffs: (qqq),ttd,wwww,yyy,zzz,eeee,uuuu,vvvv,xxxx,yyyy,kkkkk,lllll	Bypass: Wilkins 950XLD 3/4" (H)	

Notes: Integral grooved spool between the #2 ck and #2 SOV - assembly length: min. 42 1/2" and max. 71 1/4"

Type: DCDA	Manufacturer: Wilkins	Model: 350ADAR
Size: 6	Orientation: VU	Meters: (O), M
Manual: 9	0.25% Pb: Yes	Spare Parts Only: No
Approved: 18-Feb-2014	Renewed:	Bypass: Wilkins 950XLD 3/4" (H)
Shutoffs: (qqq),ttd,wwww,yyy,xxxx,yyyy,kkkkk,lllll		

Notes: Integral grooved spool between the #2 ck and #2 SOV - assembly length: min. 42 1/2" and max. 71 1/4" and Lead free compliant version: Starting Serial # E00687; By-pass Assembly Starting Serial # 3863325 and identified with NSF61 mark on meter

Type: DCDA	Manufacturer: Wilkins	Model: 350ADAR
Size: 8	Orientation: H	Meters:
Manual: 9	0.25% Pb: No	(M),A,B,C,D,E,F,G,H,I,J,K,L,M,N,O,P,Q
Approved: 25-Mar-2010	Renewed: 25-Mar-2013	Spare Parts Only: No
Shutoffs: (qqq),ttd,wwww,yyy,zzz,eeee,uuuu,vvvv,xxxx,yyyy,kkkkk,lllll	Bypass: Wilkins 950XLD 3/4" (VU)	

Notes: Integral grooved spool between the #2 ck and #2 SOV - assembly length: min. 57 7/8" and max. 86"

Type: DCDA	Manufacturer: Wilkins	Model: 350ADAR
Size: 8	Orientation: H	Meters: (O), M
Manual: 9	0.25% Pb: Yes	Spare Parts Only: No
Approved: 18-Feb-2014	Renewed:	Bypass: Wilkins 950XLD 3/4" (VU)
Shutoffs: (qqq),ttd,wwww,yyy,xxxx,yyyy,kkkkk,lllll		

Notes: Integral grooved spool between the #2 ck and #2 SOV - assembly length: min. 57 7/8" and max. 86" and Lead free compliant version: Starting Serial # E00687; By-pass Assembly Starting Serial # 3863325 and identified with NSF61 mark on meter

Type: DCDA **Manufacturer:** Wilkins **Model:** 350ADAR
Size: 10 **Orientation:** VU **Meters:** (O), M
Manual: 9 **0.25% Pb:** Yes **Spare Parts Only:** No
Approved: 18-Feb-2014 **Renewed:** **Bypass:** Wilkins 950XLD 3/4" (H)
Shutoffs: (qqq),ttt,www,yyy,xxxx,yyyy,kkkkk,lllll
Notes: Integral grooved spool between the #2 ck and #2 SOV - assembly length: min. 61 3/8" and max. 100 5/8" and Lead free compliant version: Starting Serial # E00687; By-pass Assembly Starting Serial # 3863325 and identified with NSF61 mark on meter

Type: DCDA **Manufacturer:** Wilkins **Model:** 350ASTDA
Size: 2 1/2 **Orientation:** H **Meters:** (N),G,H,I,J,K,L,M,N,O,P,Q
Manual: 10 **0.25% Pb:** No **Spare Parts Only:** No
Approved: 18-Apr-2013 **Renewed:** **Bypass:** Wilkins 950XLD 3/4" (H)
Shutoffs: (qqq),ttt,www,yyy,uuuu,vvvv,xxxx,yyyy,kkkkk,lllll

Type: DCDA **Manufacturer:** Wilkins **Model:** 350ASTDA
Size: 2 1/2 **Orientation:** H **Meters:** (O), M
Manual: 10 **0.25% Pb:** Yes **Spare Parts Only:** No
Approved: 18-Feb-2014 **Renewed:** **Bypass:** Wilkins 950XLD 3/4" (H)
Shutoffs: (qqq),ttt,www,yyy,uuuu,vvvv,xxxx,yyyy,kkkkk,lllll
Notes: Lead free compliant version: Starting Serial # 1458B; By-pass Assembly Starting Serial # 3863325 and identified with NSF61 mark on meter

Type: DCDA **Manufacturer:** Wilkins **Model:** 350ASTDA
Size: 2 1/2 **Orientation:** VU **Meters:** (N),G,H,I,J,K,L,M,N,O,P,Q
Manual: 10 **0.25% Pb:** No **Spare Parts Only:** No
Approved: 18-Apr-2013 **Renewed:** **Bypass:** Wilkins 950XLD 3/4" (VU)
Shutoffs: (qqq),ttt,www,yyy,uuuu,vvvv,xxxx,yyyy,kkkkk,lllll

Type: DCDA **Manufacturer:** Wilkins **Model:** 350ASTDA
Size: 2 1/2 **Orientation:** VU **Meters:** (O), M
Manual: 10 **0.25% Pb:** Yes **Spare Parts Only:** No
Approved: 18-Feb-2014 **Renewed:** **Bypass:** Wilkins 950XLD 3/4" (VU)
Shutoffs: (qqq),ttt,www,yyy,uuuu,vvvv,xxxx,yyyy,kkkkk,lllll
Notes: Lead free compliant version: Starting Serial # 1458B; By-pass Assembly Starting Serial # 3863325 and identified with NSF61 mark on meter

Type: DCDA **Manufacturer:** Wilkins **Model:** 350ASTDA
Size: 3 **Orientation:** H **Meters:** (N),G,H,I,J,K,L,M,N,O,P,Q
Manual: 10 **0.25% Pb:** No **Spare Parts Only:** No
Approved: 18-Apr-2013 **Renewed:** **Bypass:** Wilkins 950XLD 3/4" (H)
Shutoffs: (qqq),ttt,www,yyy,uuuu,vvvv,xxxx,yyyy,kkkkk,lllll

Type: DCDA **Manufacturer:** Wilkins **Model:** 350ASTDA
Size: 3 **Orientation:** H **Meters:** (O), M
Manual: 10 **0.25% Pb:** Yes **Spare Parts Only:** No
Approved: 18-Feb-2014 **Renewed:** **Bypass:** Wilkins 950XLD 3/4" (H)
Shutoffs: (qqq),ttt,www,yyy,uuuu,vvvv,xxxx,yyyy,kkkkk,lllll
Notes: Lead free compliant version: Starting Serial # 1458B; By-pass Assembly Starting Serial # 3863325 and identified with NSF61 mark on meter

Type: DCDA **Manufacturer:** Wilkins **Model:** 350ASTDA
Size: 3 **Orientation:** VU **Meters:** (N),G,H,I,J,K,L,M,N,O,P,Q
Manual: 10 **0.25% Pb:** No **Spare Parts Only:** No
Approved: 18-Apr-2013 **Renewed:** **Bypass:** Wilkins 950XLD 3/4" (VU)
Shutoffs: (qqq),ttt,www,yyy,uuuu,vvvv,xxxx,yyyy,kkkkk,lllll

Type: DCDA **Manufacturer:** Wilkins **Model:** 350ASTDA
Size: 3 **Orientation:** VU **Meters:** (O), M
Manual: 10 **0.25% Pb:** Yes **Spare Parts Only:** No
Approved: 18-Feb-2014 **Renewed:** **Bypass:** Wilkins 950XLD 3/4" (VU)
Shutoffs: (qqq),ttt,www,yyy,uuuu,vvvv,xxxx,yyyy,kkkkk,lllll
Notes: Lead free compliant version: Starting Serial # 1458B; By-pass Assembly Starting Serial # 3863325 and identified with NSF61 mark on meter

Type: DCDA **Manufacturer:** Wilkins **Model:** 350ASTDA
Size: 4 **Orientation:** H **Meters:** (N),F, G,H,I,J,K,L,M,N,O,P,Q
Manual: 10 **0.25% Pb:** No **Spare Parts Only:** No
Approved: 18-Apr-2013 **Renewed:** **Bypass:** Wilkins 950XLD 3/4" (H)
Shutoffs: (qqq),ttt,www,yyy,uuuu,vvvv,xxxx,yyyy,kkkkk,lllll

Type: DCDA **Manufacturer:** Wilkins **Model:** 350ASTDA
Size: 4 **Orientation:** H **Meters:** (O), M
Manual: 10 **0.25% Pb:** Yes **Spare Parts Only:** No
Approved: 18-Feb-2014 **Renewed:** **Bypass:** Wilkins 950XLD 3/4" (H)
Shutoffs: (qqq),ttt,www,yyy,uuuu,vvvv,xxxx,yyyy,kkkkk,lllll
Notes: Lead free compliant version: Starting Serial # 1458B; By-pass Assembly Starting Serial # 3863325 and identified with NSF61 mark on meter

Type: DCDA **Manufacturer:** Wilkins **Model:** 350ASTDA
Size: 4 **Orientation:** VU **Meters:** (N),F, G,H,I,J,K,L,M,N,O,P,Q
Manual: 10 **0.25% Pb:** No **Spare Parts Only:** No
Approved: 18-Apr-2013 **Renewed:** **Bypass:** Wilkins 950XLD 3/4" (VU)
Shutoffs: (qqq),ttt,www,yyy,uuuu,vvvv,xxxx,yyyy,kkkkk,lllll

Type: DCDA **Manufacturer:** Wilkins **Model:** 350ASTDA
Size: 4 **Orientation:** VU **Meters:** (O), M
Manual: 10 **0.25% Pb:** Yes **Spare Parts Only:** No
Approved: 18-Feb-2014 **Renewed:** **Bypass:** Wilkins 950XLD 3/4" (VU)
Shutoffs: (qqq),ttt,www,yyy,uuuu,vvvv,xxxx,yyyy,kkkkk,lllll
Notes: Lead free compliant version: Starting Serial # 1458B; By-pass Assembly Starting Serial # 3863325 and identified with NSF61 mark on meter

Type: DCDA **Manufacturer:** Wilkins **Model:** 350ASTDA
Size: 6 **Orientation:** H **Meters:** (N),G,H,I,J,K,L,M,N,O,P,Q
Manual: 10 **0.25% Pb:** No **Spare Parts Only:** No
Approved: 03-Jul-2013 **Renewed:** **Bypass:** Wilkins 950XLD 3/4" (H)
Shutoffs: (qqq),ttt,www,yyy,uuuu,vvvv,xxxx,yyyy,kkkkk,lllll

Type: DCDA **Manufacturer:** Wilkins **Model:** 350ASTDA
Size: 6 **Orientation:** H **Meters:** (O), M
Manual: 10 **0.25% Pb:** Yes **Spare Parts Only:** No
Approved: 18-Feb-2014 **Renewed:** **Bypass:** Wilkins 950XLD 3/4" (H)
Shutoffs: (qqq),ttt,www,yyy,uuuu,vvvv,xxxx,yyyy,kkkkk,lllll
Notes: Lead free compliant version: Starting Serial # 1458B; By-pass Assembly Starting Serial # 3863325 and identified with NSF61 mark on meter

Type: DCDA **Manufacturer:** Wilkins **Model:** 350ASTDA
Size: 6 **Orientation:** VU **Meters:** (N),G,H,I,J,K,L,M,N,O,P,Q
Manual: 10 **0.25% Pb:** No **Spare Parts Only:** No
Approved: 03-Jul-2013 **Renewed:** **Bypass:** Wilkins 950XLD 3/4" (VU)
Shutoffs: (qqq),ttt,www,yyy,uuuu,vvvv,xxxx,yyyy,kkkkk,lllll

Type: DCDA **Manufacturer:** Wilkins **Model:** 350ASTDA
Size: 6 **Orientation:** VU **Meters:** (O), M
Manual: 10 **0.25% Pb:** Yes **Spare Parts Only:** No
Approved: 18-Feb-2014 **Renewed:** **Bypass:** Wilkins 950XLD 3/4" (VU)
Shutoffs: (qqq),ttt,www,yyy,uuuu,vvvv,xxxx,yyyy,kkkkk,lllll
Notes: Lead free compliant version: Starting Serial # 1458B; By-pass Assembly Starting Serial # 3863325 and identified with NSF61 mark on meter

Type: DCDA **Manufacturer:** Wilkins **Model:** 350ASTDA
Size: 8 **Orientation:** H **Meters:** (O), M
Manual: 10 **0.25% Pb:** Yes **Spare Parts Only:** No
Approved: 20-Feb-2014 **Renewed:** **Bypass:** Wilkins 950XLD 3/4" (H)
Shutoffs: (qqq),ttt,www,yyy,uuuu,vvvv,xxxx,yyyy,kkkkk,lllll
Notes: Lead free compliant version: By-pass Assembly Starting Serial # 3863325 and identified with NSF61 mark on meter

Type: DCDA **Manufacturer:** Wilkins **Model:** 350ASTDA
Size: 8 **Orientation:** VU **Meters:** (O), M
Manual: 10 **0.25% Pb:** Yes **Spare Parts Only:** No
Approved: 20-Feb-2014 **Renewed:** **Bypass:** Wilkins 950XLD 3/4" (VU)
Shutoffs: (qqq),ttt,www,yyy,uuuu,vvvv,xxxx,yyyy,kkkkk,lllll
Notes: Lead free compliant version: By-pass Assembly Starting Serial # 3863325 and identified with NSF61 mark on meter

Type: DCDA **Manufacturer:** Wilkins **Model:** 350ASTDA
Size: 10 **Orientation:** H **Meters:** (O), M
Manual: 10 **0.25% Pb:** Yes **Spare Parts Only:** No
Approved: 20-Feb-2014 **Renewed:** **Bypass:** Wilkins 950XLD 3/4" (H)
Shutoffs: (qqq),ttt,www,yyy,uuuu,vvvv,xxxx,yyyy,kkkkk,lllll
Notes: Lead free compliant version: By-pass Assembly Starting Serial # 3863325 and identified with NSF61 mark on meter

Type: DCDA **Manufacturer:** Wilkins **Model:** 350ASTDA
Size: 10 **Orientation:** VU **Meters:** (O), M
Manual: 10 **0.25% Pb:** Yes **Spare Parts Only:** No
Approved: 20-Feb-2014 **Renewed:** **Bypass:** Wilkins 950XLD 3/4" (VU)
Shutoffs: (qqq),ttt,www,yyy,uuuu,vvvv,xxxx,yyyy,kkkkk,lllll
Notes: Lead free compliant version: By-pass Assembly Starting Serial # 3863325 and identified with NSF61 mark on meter

Type: DCDA **Manufacturer:** Wilkins **Model:** 350ASTDAR
Size: 2 1/2 **Orientation:** H **Meters:** (O), M
Manual: 10 **0.25% Pb:** Yes **Spare Parts Only:** No
Approved: 09-Oct-2014 **Renewed:** **Bypass:** Wilkins 950XLD 3/4" (H)
Shutoffs: (yyyy),ttt,www,yyy,uuuu,vvvv,xxxx,kkkkk,lllll
Notes: Integral grooved spool between the #2 ck and #2 SOV - assembly length: min. 31" and max. 47 1/8"

Type: DCDA **Manufacturer:** Wilkins **Model:** 350ASTDAR
Size: 2 1/2 **Orientation:** VU **Meters:** (O), M
Manual: 10 **0.25% Pb:** Yes **Spare Parts Only:** No
Approved: 09-Oct-2014 **Renewed:** **Bypass:** Wilkins 950XLD 3/4" (VU)
Shutoffs: (yyyy),ttt,www,yyy,uuuu,vvvv,xxxx,kkkkk,lllll
Notes: Integral grooved spool between the #2 ck and #2 SOV - assembly length: min. 31" and max. 47 1/8"

Type: DCDA **Manufacturer:** Wilkins **Model:** 350ASTDAR
Size: 3 **Orientation:** H **Meters:** (O), M
Manual: 10 **0.25% Pb:** Yes **Spare Parts Only:** No
Approved: 09-Oct-2014 **Renewed:** **Bypass:** Wilkins 950XLD 3/4" (H)
Shutoffs: (yyyy),ttt,www,yyy,uuuu,vvvv,xxxx,kkkkk,lllll
Notes: Integral grooved spool between the #2 ck and #2 SOV - assembly length: min. 31 1/2" and max. 48 1/8"

Type: DCDA **Manufacturer:** Wilkins **Model:** 350ASTDAR
Size: 3 **Orientation:** VU **Meters:** (O), M
Manual: 10 **0.25% Pb:** Yes **Spare Parts Only:** No
Approved: 09-Oct-2014 **Renewed:** **Bypass:** Wilkins 950XLD 3/4" (VU)
Shutoffs: (yyyy),ttt,www,yyy,uuuu,vvvv,xxxx,kkkkk,lllll
Notes: Integral grooved spool between the #2 ck and #2 SOV - assembly length: min. 31 1/2" and max. 48 1/8"

Type: DCDA **Manufacturer:** Wilkins **Model:** 350ASTDAR
Size: 4 **Orientation:** H **Meters:** (O), M
Manual: 10 **0.25% Pb:** Yes **Spare Parts Only:** No
Approved: 09-Oct-2014 **Renewed:** **Bypass:** Wilkins 950XLD 3/4" (H)
Shutoffs: (yyyy),ttt,www,yyy,uuuu,vvvv,xxxx,kkkkk,lllll
Notes: Integral grooved spool between the #2 ck and #2 SOV - assembly length: min. 32 5/8" and max. 62 1/4"

Type: DCDA **Manufacturer:** Wilkins **Model:** 350ASTDAR
Size: 4 **Orientation:** VU **Meters:** (O), M
Manual: 10 **0.25% Pb:** Yes **Spare Parts Only:** No
Approved: 09-Oct-2014 **Renewed:** **Bypass:** Wilkins 950XLD 3/4" (VU)
Shutoffs: (yyyy),ttt,www,yyy,uuuu,vvvv,xxxx,kkkkk,lllll
Notes: Integral grooved spool between the #2 ck and #2 SOV - assembly length: min. 32 5/8" and max. 62 1/4"

Type: DCDA **Manufacturer:** Wilkins **Model:** 350ASTDAR
Size: 6 **Orientation:** H **Meters:** (O), M
Manual: 10 **0.25% Pb:** Yes **Spare Parts Only:** No
Approved: 18-Sep-2014 **Renewed:** **Bypass:** Wilkins 950XLD 3/4" (H)
Shutoffs: (yyyy),ttt,www,yyy,uuuu,vvvv,xxxx,kkkkk,lllll
Notes: Integral grooved spool between the #2 ck and #2 SOV - assembly length: min. 39" and max. 71 1/4"

Type: DCDA **Manufacturer:** Wilkins **Model:** 350ASTDAR
Size: 6 **Orientation:** VU **Meters:** (O), M
Manual: 10 **0.25% Pb:** Yes **Spare Parts Only:** No
Approved: 18-Sep-2014 **Renewed:** **Bypass:** Wilkins 950XLD 3/4" (VU)
Shutoffs: (yyyy),ttt,www,yyy,uuuu,vvvv,xxxx,kkkkk,lllll
Notes: Integral grooved spool between the #2 ck and #2 SOV - assembly length: min. 39" and max. 71 1/4"

Type: DCDA **Manufacturer:** Wilkins **Model:** 350ASTDAR
Size: 8 **Orientation:** H **Meters:** (O), M
Manual: 10 **0.25% Pb:** Yes **Spare Parts Only:** No
Approved: 18-Sep-2014 **Renewed:** **Bypass:** Wilkins 950XLD 3/4" (H)
Shutoffs: (yyyy),ttt,www,yyy,uuuu,vvvv,xxxx,kkkkk,lllll
Notes: Integral grooved spool between the #2 ck and #2 SOV - assembly length: min. 48 3/4" and max. 86"

Type: DCDA **Manufacturer:** Wilkins **Model:** 350ASTDAR
Size: 8 **Orientation:** VU **Meters:** (O), M
Manual: 10 **0.25% Pb:** Yes **Spare Parts Only:** No
Approved: 18-Sep-2014 **Renewed:** **Bypass:** Wilkins 950XLD 3/4" (VU)
Shutoffs: (yyyy),ttt,www,yyy,uuuu,vvvv,xxxx,kkkkk,lllll
Notes: Integral grooved spool between the #2 ck and #2 SOV - assembly length: min. 48 3/4" and max. 86"

Type: DCDA **Manufacturer:** Wilkins **Model:** 350ASTDAR
Size: 10 **Orientation:** H **Meters:** (O), M
Manual: 10 **0.25% Pb:** Yes **Spare Parts Only:** No
Approved: 18-Sep-2014 **Renewed:** **Bypass:** Wilkins 950XLD 3/4" (H)
Shutoffs: (yyyy),ttt,www,yyy,uuuu,vvvv,xxxx,kkkkk,lllll
Notes: Integral grooved spool between the #2 ck and #2 SOV - assembly length: min. 52 5/8" and max. 100 5/8"

Type: DCDA **Manufacturer:** Wilkins **Model:** 350ASTDAR
Size: 10 **Orientation:** VU **Meters:** (O), M
Manual: 10 **0.25% Pb:** Yes **Spare Parts Only:** No
Approved: 18-Sep-2014 **Renewed:** **Bypass:** Wilkins 950XLD 3/4" (VU)
Shutoffs: (yyyy),ttt,www,yyy,uuuu,vvvv,xxxx,kkkkk,lllll
Notes: Integral grooved spool between the #2 ck and #2 SOV - assembly length: min. 52 5/8" and max. 100 5/8"

Type: DCDA **Manufacturer:** Wilkins **Model:** 350DA
Size: 2 1/2 **Orientation:** H **Meters:**
(M),A,B,C,D,E,F,G,H,I,J,K,L,N,O,P,Q
Manual: 9 **0.25% Pb:** No **Spare Parts Only:** No
Approved: 03-Apr-2002 **Renewed:** 03-Apr-2014 **Bypass:** Wilkins 950XLD 3/4" (H)
Shutoffs: (hh),ff,mm,uu,zz,vvvv,wwww,yyyy,zzzz,kkkkk
Notes: Up to Serial # N4230

Type: DCDA **Manufacturer:** Wilkins **Model:** 350DA
Size: 2 1/2 **Orientation:** H **Meters:** (O), M
Manual: 9 **0.25% Pb:** Yes **Spare Parts Only:** No
Approved: 18-Feb-2014 **Renewed:** **Bypass:** Wilkins 950XLD 3/4" (H)
Shutoffs: (hh),qqq,vvv,www,yyyy,zzzz,kkkkk
Notes: Lead free compliant version: Starting Serial # N4231; By-pass Assembly Starting Serial # 3863325 and identified with NSF61 mark on meter

Type: DCDA **Manufacturer:** Wilkins **Model:** 350DA
Size: 2 1/2 **Orientation:** VU **Meters:**
(M),A,B,C,D,E,F,G,H,I,J,K,L,N,O,P,Q
Manual: 9 **0.25% Pb:** No **Spare Parts Only:** No
Approved: 08-Oct-2002 **Renewed:** 08-Oct-2014 **Bypass:** Wilkins 950XLD 3/4" (VU)
Shutoffs: (hh),ff,mm,uu,zz,vvvv,wwww,yyyy,zzzz
Notes: Up to Serial # N4230

Type: DCDA **Manufacturer:** Wilkins **Model:** 350DA
Size: 2 1/2 **Orientation:** VU **Meters:** (O), M
Manual: 9 **0.25% Pb:** Yes **Spare Parts Only:** No
Approved: 18-Feb-2014 **Renewed:** **Bypass:** Wilkins 950XLD 3/4" (VU)
Shutoffs: (hh),qqq,vvv,www,yyyy,zzzz,kkkkk
Notes: Lead free compliant version: Starting Serial # N4231; By-pass Assembly Starting Serial # 3863325 and identified with NSF61 mark on meter

Type: DCDA **Manufacturer:** Wilkins **Model:** 350DA
Size: 3 **Orientation:** H **Meters:**
(M),A,B,C,D,E,F,G,H,I,J,K,L,N,O,P,Q
Manual: 9 **0.25% Pb:** No **Spare Parts Only:** No
Approved: 03-Apr-2002 **Renewed:** 03-Apr-2014 **Bypass:** Wilkins 950XLD 3/4" (H)
Shutoffs: (hh),ff,mm,uu,zz,vvvv,wwww,yyyy,zzzz,kkkkk
Notes: Up to Serial # N4230

Type: DCDA **Manufacturer:** Wilkins **Model:** 350DA
Size: 3 **Orientation:** H **Meters:**
(M),A,B,C,D,E,F,G,H,I,J,K,L,N,O,P,Q
Manual: 9 **0.25% Pb:** Yes **Spare Parts Only:** No
Approved: 03-Apr-2002 **Renewed:** 03-Apr-2014 **Bypass:** Wilkins 950XLD 3/4" (H)
Shutoffs: (hh),ff,mm,uu,zz,vvvv,wwww,yyyy,zzzz,kkkkk
Notes: Starting Serial # N4231; By-pass Assembly Starting Serial # 3863325 and Lead free compliant version identified with NSF61 mark on meter

Type: DCDA **Manufacturer:** Wilkins **Model:** 350DA
Size: 3 **Orientation:** H **Meters:** (O), M
Manual: 9 **0.25% Pb:** Yes **Spare Parts Only:** No
Approved: 18-Feb-2014 **Renewed:** **Bypass:** Wilkins 950XLD 3/4" (H)
Shutoffs: (hh),qqq,vvv,www,yyyy,zzzz
Notes: Lead free compliant version: Starting Serial # N4231; By-pass Assembly Starting Serial # 3863325 and identified with NSF61 mark on meter

Type: DCDA **Manufacturer:** Wilkins **Model:** 350DA
Size: 3 **Orientation:** VU **Meters:**
(M),A,B,C,D,E,F,G,H,I,J,K,L,N,O,P,Q
Manual: 9 **0.25% Pb:** No **Spare Parts Only:** No
Approved: 08-Oct-2002 **Renewed:** 08-Oct-2014 **Bypass:** Wilkins 950XLD 3/4" (VU)
Shutoffs: (hh),ff,mm,uu,zz,vvvv,wwww,yyyy,zzzz,kkkkk
Notes: Up to Serial # N4230

Type: DCDA **Manufacturer:** Wilkins **Model:** 350DA
Size: 3 **Orientation:** VU **Meters:**
(M),A,B,C,D,E,F,G,H,I,J,K,L,N,O,P,Q
Manual: 9 **0.25% Pb:** Yes **Spare Parts Only:** No
Approved: 08-Oct-2002 **Renewed:** 08-Oct-2014 **Bypass:** Wilkins 950XLD 3/4" (VU)
Shutoffs: (hh),ff,mm,uu,zz,vvvv,wwww,yyyy,zzzz,kkkkk
Notes: Starting Serial # N4231; By-pass Assembly Starting Serial # 3863325 and Lead free compliant version identified with NSF61 mark on meter

Type: DCDA **Manufacturer:** Wilkins **Model:** 350DA
Size: 3 **Orientation:** VU **Meters:** (O), M
Manual: 9 **0.25% Pb:** Yes **Spare Parts Only:** No
Approved: 18-Feb-2014 **Renewed:** **Bypass:** Wilkins 950XLD 3/4" (VU)
Shutoffs: (hh),qqq,vvv,www,yyyy,zzzz
Notes: Lead free compliant version: Starting Serial # N4231; By-pass Assembly Starting Serial # 3863325 and identified with NSF61 mark on meter

Type: DCDA **Manufacturer:** Wilkins **Model:** 350DA
Size: 4 **Orientation:** VU **Meters:** (O), M
Manual: 9 **0.25% Pb:** Yes **Spare Parts Only:** No
Approved: 18-Feb-2014 **Renewed:** **Bypass:** Wilkins 950XLD 3/4" (VU)
Shutoffs: (hh),qqq,vvv,www,yyyy,zzzz
Notes: Lead free compliant version: Starting Serial # N4231; By-pass Assembly Starting Serial # 3863325 and identified with NSF61 mark on meter

Type: DCDA **Manufacturer:** Wilkins **Model:** 350DA
Size: 6 **Orientation:** H **Meters:**
(M),A,B,C,D,E,F,G,H,I,J,K,L,N,O,P,Q
Manual: 9 **0.25% Pb:** No **Spare Parts Only:** No
Approved: 18-Oct-1999 **Renewed:** 18-Oct-2014 **Bypass:** Wilkins 950XLD 3/4" (H)
Shutoffs: (hh),ff,mm,uu,zz,qqq,vvv,www,zzz,eeee,vvvv,wwwww,yyyy,zzzz,kkkkk
Notes: Up to Serial # N4230

Type: DCDA **Manufacturer:** Wilkins **Model:** 350DA
Size: 6 **Orientation:** H **Meters:**
(M),A,B,C,D,E,F,G,H,I,J,K,L,N,O,P,Q
Manual: 9 **0.25% Pb:** Yes **Spare Parts Only:** No
Approved: 18-Oct-1999 **Renewed:** 18-Oct-2014 **Bypass:** Wilkins 950XLD 3/4" (H)
Shutoffs: (hh),ff,mm,uu,zz,qqq,vvv,www,zzz,eeee,vvvv,wwwww,yyyy,zzzz,kkkkk
Notes: Starting Serial # N4231; By-pass Assembly Starting Serial # 3863325 and Lead free compliant version identified with NSF61 mark on meter

Type: DCDA **Manufacturer:** Wilkins **Model:** 350DA
Size: 6 **Orientation:** H **Meters:** (O), M
Manual: 9 **0.25% Pb:** Yes **Spare Parts Only:** No
Approved: 18-Feb-2014 **Renewed:** **Bypass:** Wilkins 950XLD 3/4" (H)
Shutoffs: (hh),qqq,vvv,www,yyyy,zzzz
Notes: Lead free compliant version: Starting Serial # N4231; By-pass Assembly Starting Serial # 3863325 and identified with NSF61 mark on meter

Type: DCDA **Manufacturer:** Wilkins **Model:** 350DA
Size: 6 **Orientation:** VU **Meters:**
(M),A,B,C,D,E,F,G,H,I,J,K,L,N,O,P,Q
Manual: 9 **0.25% Pb:** No **Spare Parts Only:** No
Approved: 05-Jan-2000 **Renewed:** 05-Jan-2014 **Bypass:** Wilkins 950XLD 3/4" (VU)
Shutoffs: (hh),ff,mm,uu,zz,qqq,vvv,www,zzz,eeee,vvvv,wwwww,yyyy,zzzz,kkkkk
Notes: Up to Serial # N4230

Type: DCDA **Manufacturer:** Wilkins **Model:** 350DA
Size: 6 **Orientation:** VU **Meters:**
(M),A,B,C,D,E,F,G,H,I,J,K,L,N,O,P,Q
Manual: 9 **0.25% Pb:** Yes **Spare Parts Only:** No
Approved: 05-Jan-2000 **Renewed:** 05-Jan-2014 **Bypass:** Wilkins 950XLD 3/4" (VU)
Shutoffs: (hh),ff,mm,uu,zz,qqq,vvv,www,zzz,eeee,vvvv,wwww,yyyy,zzzz,kkkkk
Notes: Starting Serial # N4231; By-pass Assembly Starting Serial # 3863325 and Lead free compliant version identified with NSF61 mark on meter

Type: DCDA **Manufacturer:** Wilkins **Model:** 350DA
Size: 6 **Orientation:** VU **Meters:** (O), M
Manual: 9 **0.25% Pb:** Yes **Spare Parts Only:** No
Approved: 18-Feb-2014 **Renewed:** **Bypass:** Wilkins 950XLD 3/4" (VU)
Shutoffs: (hh),qqq,vvv,www,yyyy,zzzz
Notes: Lead free compliant version: Starting Serial # N4231; By-pass Assembly Starting Serial # 3863325 and identified with NSF61 mark on meter

Type: DCDA **Manufacturer:** Wilkins **Model:** 350DA
Size: 8 **Orientation:** H **Meters:** (N),F,G,H,I,J,K,L,M,O,P,Q
Manual: 9 **0.25% Pb:** No **Spare Parts Only:** No
Approved: 03-Jul-2002 **Renewed:** 03-Jul-2014 **Bypass:** Wilkins 950XLD 3/4" (H)
Shutoffs: (hh),ff,mm,uu,zz,qqq,vvv,www,zzz,eeee,vvvv,wwww,yyyy.zzzz,kkkkk
Notes: Up to Serial # N4230

Type: DCDA **Manufacturer:** Wilkins **Model:** 350DA
Size: 8 **Orientation:** H **Meters:** (N),F,G,H,I,J,K,L,M,O,P,Q
Manual: 9 **0.25% Pb:** Yes **Spare Parts Only:** No
Approved: 03-Jul-2002 **Renewed:** 03-Jul-2014 **Bypass:** Wilkins 950XLD 3/4" (H)
Shutoffs: (hh),ff,mm,uu,zz,qqq,vvv,www,zzz,eeee,vvvv,wwww,yyyy.zzzz,kkkkk
Notes: Starting Serial # N4231; By-pass Assembly Starting Serial # 3863325 and Lead free compliant version identified with NSF61 mark on meter

Type: DCDA **Manufacturer:** Wilkins **Model:** 350DA
Size: 8 **Orientation:** H **Meters:** (O), M
Manual: 9 **0.25% Pb:** Yes **Spare Parts Only:** No
Approved: 18-Feb-2014 **Renewed:** **Bypass:** Wilkins 950XLD 3/4" (H)
Shutoffs: (hh),qqq,vvv,www,yyyy,zzzz
Notes: Lead free compliant version: Starting Serial # N4231; By-pass Assembly Starting Serial # 3863325 and identified with NSF61 mark on meter

Type: DCDA **Manufacturer:** Wilkins **Model:** 350DA
Size: 8 **Orientation:** VU **Meters:** (N),F,G,H,I,J,K,L,M,O,P,Q
Manual: 9 **0.25% Pb:** No **Spare Parts Only:** No
Approved: 16-Jan-2003 **Renewed:** 16-Jan-2015 **Bypass:** Wilkins 950XLD 3/4" (VU)
Shutoffs: (hh),ff,mm,uu,zz,qqq,vvv,www,zzz,eeee,vvvv,wwwwww,yyyy.zzzz,kkkkk
Notes: Up to Serial # N4230

Type: DCDA **Manufacturer:** Wilkins **Model:** 350DA
Size: 8 **Orientation:** VU **Meters:** (N),F,G,H,I,J,K,L,M,O,P,Q
Manual: 9 **0.25% Pb:** Yes **Spare Parts Only:** No
Approved: 16-Jan-2003 **Renewed:** 16-Jan-2015 **Bypass:** Wilkins 950XLD 3/4" (VU)
Shutoffs: (hh),ff,mm,uu,zz,qqq,vvv,www,zzz,eeee,vvvv,wwwwww,yyyy.zzzz,kkkkk
Notes: Starting Serial # N4231; By-pass Assembly Starting Serial # 3863325 and Lead free compliant version identified with NSF61 mark on meter

Type: DCDA **Manufacturer:** Wilkins **Model:** 350DA
Size: 8 **Orientation:** VU **Meters:** (O), M
Manual: 9 **0.25% Pb:** Yes **Spare Parts Only:** No
Approved: 18-Feb-2014 **Renewed:** **Bypass:** Wilkins 950XLD 3/4" (VU)
Shutoffs: (hh),qqq,vvv,www,yyyy,zzzz
Notes: Lead free compliant version: Starting Serial # N4231; By-pass Assembly Starting Serial # 3863325 and identified with NSF61 mark on meter

Type: DCDA **Manufacturer:** Wilkins **Model:** 350DA
Size: 10 **Orientation:** H **Meters:** (N),F,G,H,I,J,K,L,M,O,P,Q
Manual: 9 **0.25% Pb:** No **Spare Parts Only:** No
Approved: 28-Aug-2002 **Renewed:** 28-Aug-2014 **Bypass:** Wilkins 950XLD 3/4" (H)
Shutoffs: (hh),ff,mm,uu,zz,qqq,vvv,www,zzz,eeee,vvvv,wwwwww,yyyy.zzzz,kkkkk
Notes: Up to Serial # N4230

Type: DCDA **Manufacturer:** Wilkins **Model:** 350DA
Size: 10 **Orientation:** H **Meters:** (N),F,G,H,I,J,K,L,M,O,P,Q
Manual: 9 **0.25% Pb:** Yes **Spare Parts Only:** No
Approved: 28-Aug-2002 **Renewed:** 28-Aug-2014 **Bypass:** Wilkins 950XLD 3/4" (H)
Shutoffs: (hh),ff,mm,uu,zz,qqq,vvv,www,zzz,eeee,vvvv,wwwwww,yyyy.zzzz,kkkkk
Notes: Starting Serial # N4231; By-pass Assembly Starting Serial # 3863325 and Lead free compliant version identified with NSF61 mark on meter

Type: DCDA **Manufacturer:** Wilkins **Model:** 350DA
Size: 10 **Orientation:** H **Meters:** (O), M
Manual: 9 **0.25% Pb:** Yes **Spare Parts Only:** No
Approved: 18-Feb-2014 **Renewed:** **Bypass:** Wilkins 950XLD 3/4" (H)
Shutoffs: (hh),qqq,vvv,www,yyyy,zzzz
Notes: Lead free compliant version: Starting Serial # N4231; By-pass Assembly Starting Serial # 3863325 and identified with NSF61 mark on meter

Type: DCDA **Manufacturer:** Wilkins **Model:** 350DA
Size: 10 **Orientation:** VU **Meters:** (N),F,G,H,I,J,K,L,M,O,P,Q
Manual: 9 **0.25% Pb:** No **Spare Parts Only:** No
Approved: 14-Mar-2003 **Renewed:** 14-Mar-2015 **Bypass:** Wilkins 950XLD 3/4" (VU)
Shutoffs: (hh),ff,mm,uu,zz,qqq,vvv,www,zzz,eeee,vvvv,wwww,yyyy.zzzz,kkkkk
Notes: Up to Serial # N4230

Type: DCDA **Manufacturer:** Wilkins **Model:** 350DA
Size: 10 **Orientation:** VU **Meters:** (N),F,G,H,I,J,K,L,M,O,P,Q
Manual: 9 **0.25% Pb:** Yes **Spare Parts Only:** No
Approved: 14-Mar-2003 **Renewed:** 14-Mar-2015 **Bypass:** Wilkins 950XLD 3/4" (VU)
Shutoffs: (hh),ff,mm,uu,zz,qqq,vvv,www,zzz,eeee,vvvv,wwww,yyyy.zzzz,kkkkk
Notes: Starting Serial # N4231; By-pass Assembly Starting Serial # 3863325 and Lead free compliant version identified with NSF61 mark on meter

Type: DCDA **Manufacturer:** Wilkins **Model:** 350DA
Size: 10 **Orientation:** VU **Meters:** (O), M
Manual: 9 **0.25% Pb:** Yes **Spare Parts Only:** No
Approved: 18-Feb-2014 **Renewed:** **Bypass:** Wilkins 950XLD 3/4" (VU)
Shutoffs: (hh),qqq,vvv,www,yyyy,zzzz
Notes: Lead free compliant version: Starting Serial # N4231; By-pass Assembly Starting Serial # 3863325 and identified with NSF61 mark on meter

Type: DCDA **Manufacturer:** Wilkins **Model:** 350DA
Size: 12 **Orientation:** H **Meters:** (N),F,G,H,I,J,K,L,M,O,P,Q
Manual: 9 **0.25% Pb:** No **Spare Parts Only:** No
Approved: 20-Oct-2009 **Renewed:** 20-Oct-2012 **Bypass:** Wilkins 950XLD 3/4" (H)
Shutoffs: (hh),vvvv,wwww,yyyy,zzzz,kkkkk
Notes: Up to Serial # N4230

Type: DCDA **Manufacturer:** Wilkins **Model:** 350DA
Size: 12 **Orientation:** H **Meters:** (N),F,G,H,I,J,K,L,M,O,P,Q
Manual: 9 **0.25% Pb:** Yes **Spare Parts Only:** No
Approved: 20-Oct-2009 **Renewed:** 20-Oct-2012 **Bypass:** Wilkins 950XLD 3/4" (H)
Shutoffs: (hh),ssss,tttt,uuuu,vvvv,wwww,xxxx,yyyy,zzzz,aaaaa
Notes: Starting Serial # N4231; By-pass Assembly Starting Serial # 3863325 and Lead free compliant version identified with NSF61 mark on meter

Type: DCDA **Manufacturer:** Wilkins **Model:** 350DA
Size: 12 **Orientation:** H **Meters:** (O)
Manual: 9 **0.25% Pb:** Yes **Spare Parts Only:** No
Approved: 18-Feb-2014 **Renewed:** **Bypass:** Wilkins 950XLD 3/4" (H)
Shutoffs: (hh),vvvv,wwww,yyyy,zzzz,kkkkk
Notes: Lead free compliant version: Starting Serial # N4231; By-pass Assembly Starting Serial # 3863325 and identified with NSF61 mark on meter

Type: DCDA **Manufacturer:** Wilkins **Model:** 450DA
Size: 4 **Orientation:** VUVD **Meters:**
(M),A,B,C,D,E,F,G,H,I,J,K,L,N,O,P,Q
Manual: 9 **0.25% Pb:** No **Spare Parts Only:** No
Approved: 12-Apr-2000 **Renewed:** 12-Apr-2015 **Bypass:** Wilkins 950XLD 3/4" (H)
Shutoffs: (qqq),ttt,www,yyy,zzz,eeee,uuuu,vvvv,xxxx,yyyy,kkkkk,IIIII

Type: DCDA **Manufacturer:** Wilkins **Model:** 450DA
Size: 4 **Orientation:** VUVD **Meters:** (O), M
Manual: 9 **0.25% Pb:** Yes **Spare Parts Only:** No
Approved: 18-Feb-2014 **Renewed:** **Bypass:** Wilkins 950XLD 3/4" (H)
Shutoffs: (hh),qqq,vvv,wwww,yyyy,zzzz
Notes: Lead free compliant version: Starting Serial # P07372; By-pass Assembly Starting Serial # 3863325 and identified with NSF61 mark on meter

Type: DCDA **Manufacturer:** Wilkins **Model:** 450DA
Size: 6 **Orientation:** VUVD **Meters:**
(M),C,D,E,F,G,H,I,J,K,L,N,O,P,Q
Manual: 9 **0.25% Pb:** No **Spare Parts Only:** No
Approved: 24-May-2000 **Renewed:** 24-May-2015 **Bypass:** Wilkins 950XLD 3/4" (H)
Shutoffs: (qqq),ttt,www,yyy,zzz,eeee,uuuu,vvvv,xxxx,yyyy,kkkkk,IIIII

Type: DCDA **Manufacturer:** Wilkins **Model:** 450DA
Size: 6 **Orientation:** VUVD **Meters:** (O), M
Manual: 9 **0.25% Pb:** Yes **Spare Parts Only:** No
Approved: 18-Feb-2014 **Renewed:** **Bypass:** Wilkins 950XLD 3/4" (H)
Shutoffs: (hh),qqq,vvv,www,yyyy,zzzz
Notes: Lead free compliant version: Starting Serial # P07372; By-pass Assembly Starting Serial # 3863325 and identified with NSF61 mark on meter

Type: DCDA **Manufacturer:** Wilkins **Model:** 450DA
Size: 8 **Orientation:** VUVD **Meters:** (N),F,G,H,I,J,K,L,M,O,P,Q
Manual: 9 **0.25% Pb:** No **Spare Parts Only:** No
Approved: 03-Aug-2004 **Renewed:** 03-Aug-2013 **Bypass:** Wilkins 950XLD 3/4" (H)
Shutoffs: (qqq),ttt,www,yyy,zzz,eeee,uuuu,vvvv,xxxx,yyyy,kkkkk,lllll

Type: DCDA **Manufacturer:** Wilkins **Model:** 450DA
Size: 8 **Orientation:** VUVD **Meters:** (O), M
Manual: 9 **0.25% Pb:** Yes **Spare Parts Only:** No
Approved: 18-Feb-2014 **Renewed:** **Bypass:** Wilkins 950XLD 3/4" (H)
Shutoffs: (hh),qqq,vvv,www,yyyy,zzzz
Notes: Lead free compliant version: Starting Serial # P07372; By-pass Assembly Starting Serial # 3863325 and identified with NSF61 mark on meter

Type: DCDA **Manufacturer:** Wilkins **Model:** 450DA
Size: 10 **Orientation:** VUVD **Meters:** (N),F,G,H,I,J,K,L,M,O,P,Q
Manual: 9 **0.25% Pb:** No **Spare Parts Only:** No
Approved: 03-Aug-2004 **Renewed:** 03-Aug-2013 **Bypass:** Wilkins 950XLD 3/4" (H)
Shutoffs: (qqq),ttt,www,yyy,zzz,eeee,uuuu,vvvv,xxxx,yyyy,kkkkk,lllll

Type: DCDA **Manufacturer:** Wilkins **Model:** 450DA
Size: 10 **Orientation:** VUVD **Meters:** (O), M
Manual: 9 **0.25% Pb:** Yes **Spare Parts Only:** No
Approved: 18-Feb-2014 **Renewed:** **Bypass:** Wilkins 950XLD 3/4" (H)
Shutoffs: (hh),qqq,vvv,www,yyyy,zzzz
Notes: Lead free compliant version: Starting Serial # P07372; By-pass Assembly Starting Serial # 3863325 and identified with NSF61 mark on meter

Type: DCDA **Manufacturer:** Wilkins **Model:** 950DA
Size: 2 1/2 **Orientation:** H **Meters:**
(M),A,B,C,D,E,F,G,H,I,J,K,L,N,O,P,Q
Manual: 8 **0.25% Pb:** No **Spare Parts Only:** No
Approved: 02-Jan-1994 **Renewed:** 02-Jan-2014 **Bypass:** Wilkins 950XL 3/4" (H), Wilkins 950 3/4" (H)
Shutoffs: (hh),ff,mm,uu,zz,vvvv,www,yyyy,zzzz

Type: DCDA **Manufacturer:** Wilkins **Model:** 950DA
Size: 2 1/2 **Orientation:** VU **Meters:** (M),D,E,F,G,H,I,J,K,L,N,O,P,Q
Manual: 8 **0.25% Pb:** No **Spare Parts Only:** No
Approved: 12-Dec-1996 **Renewed:** 12-Dec-2014 **Bypass:** Wilkins 950XL 3/4" (VU)
Shutoffs: (hh),ff,mm,uu,zz,vvvv,www,yyyy,zzzz

Type: DCDA **Manufacturer:** Wilkins **Model:** 950DA
Size: 3 **Orientation:** H **Meters:**
(M),A,B,C,D,E,F,G,H,I,J,K,L,N,O,P,Q
Manual: 8 **0.25% Pb:** No **Spare Parts Only:** No
Approved: 02-Jan-1994 **Renewed:** 02-Jan-2014 **Bypass:** Wilkins 950XL 3/4" (H), Wilkins 950 3/4" (H)
Shutoffs: (hh),ff,mm,uu,zz,vvvv,www,yyyy,zzzz

Type: DCDA **Manufacturer:** Wilkins **Model:** 950DA
Size: 3 **Orientation:** VU **Meters:** (M),D,E,F,G,H,I,J,K,L,N,O,P,Q
Manual: 8 **0.25% Pb:** No **Spare Parts Only:** No
Approved: 12-Dec-1996 **Renewed:** 12-Dec-2014 **Bypass:** Wilkins 950XL 3/4" (VU)
Shutoffs: (hh),ff,mm,uu,zz,vvvv,www,yyyy,zzzz

Type: DCDA **Manufacturer:** Wilkins **Model:** 950DA
Size: 4 **Orientation:** H **Meters:** (M),E,F,G,H,I,J,K,L,N,O,P,Q
Manual: 8 **0.25% Pb:** No **Spare Parts Only:** Yes
Approved: 09-Jun-1993 **Renewed:** 09-Jun-2014 **Bypass:** Wilkins 950XL 3/4" (H), Wilkins 950 3/4" (H)
Shutoffs: hh,ff,mm,uu,zz,vvvv,www,yyyy,zzzz

Type: DCDA **Manufacturer:** Wilkins **Model:** 950DA
Size: 4 **Orientation:** VU **Meters:**
(M),A,B,C,D,E,F,G,H,I,J,K,L,N,O,P,Q
Manual: 8 **0.25% Pb:** No **Spare Parts Only:** Yes
Approved: 12-Dec-1996 **Renewed:** 12-Dec-2014 **Bypass:** Wilkins 950XL 3/4" (VU)
Shutoffs: hh,ff,mm,uu,zz,vvvv,www,yyyy,zzzz

Type: DCDA **Manufacturer:** Wilkins **Model:** 950DA
Size: 6 **Orientation:** H **Meters:**
(M),A,B,C,D,E,F,G,H,I,J,K,L,N,O,P,Q
Manual: 8 **0.25% Pb:** No **Spare Parts Only:** Yes
Approved: 09-Jun-1993 **Renewed:** 09-Jun-2014 **Bypass:** Wilkins 950XL 3/4" (H), Wilkins
950 3/4" (H)
Shutoffs: hh,ff,mm,uu,zz,vvvv,wwww,yyyy,zzzz

Type: DCDA **Manufacturer:** Wilkins **Model:** 950DA
Size: 6 **Orientation:** VU **Meters:** (M),D,E,F,G,H,I,J,K,L,N,O,P,Q
Manual: 8 **0.25% Pb:** No **Spare Parts Only:** Yes
Approved: 12-Dec-1996 **Renewed:** 12-Dec-2014 **Bypass:** Wilkins 950XL 3/4" (VU)
Shutoffs: hh,ff,mm,uu,zz,vvvv,wwww,yyyy,zzzz

Type: DCDA **Manufacturer:** Wilkins **Model:** 950DA
Size: 8 **Orientation:** H **Meters:** (M),E,F,G,H,I,J,K,L,N,O,P,Q
Manual: 8 **0.25% Pb:** No **Spare Parts Only:** No
Approved: 09-Jun-1993 **Renewed:** 09-Jun-2014 **Bypass:** Wilkins 950XL 3/4" (H), Wilkins
950 3/4" (H)
Shutoffs: (hh),ff,mm,uu,zz,vvvv,wwww,yyyy,zzzz

Type: DCDA **Manufacturer:** Wilkins **Model:** 950DA
Size: 8 **Orientation:** VU **Meters:**
(M),A,B,C,D,E,F,G,H,I,J,K,L,N,O,P,Q
Manual: 8 **0.25% Pb:** No **Spare Parts Only:** No
Approved: 12-Dec-1996 **Renewed:** 12-Dec-2014 **Bypass:** Wilkins 950XL 3/4" (VU)
Shutoffs: (hh),ff,mm,uu,zz,vvvv,wwww,yyyy,zzzz

Type: DCDA **Manufacturer:** Wilkins **Model:** 950DA
Size: 10 **Orientation:** H **Meters:**
(M),A,B,C,D,E,F,G,H,I,J,K,L,N,O,P,Q
Manual: 8 **0.25% Pb:** No **Spare Parts Only:** No
Approved: 23-Jun-1994 **Renewed:** 23-Jun-2015 **Bypass:** Wilkins 950XL 3/4" (H), Wilkins
950 3/4" (H)
Shutoffs: (hh),ff,mm,uu,zz,vvvv,wwww,yyyy,zzzz

Type: DCDA **Manufacturer:** Wilkins **Model:** 950XLTD
Size: 2 **Orientation:** H **Meters:** (N), F, G, H, I J, K L, M, N, O,
P, Q
Manual: 9 **0.25% Pb:** No **Spare Parts Only:** No
Approved: 19-May-2009 **Renewed:** 19-May-2015 **Bypass:** Wilkins 350D 3/4" (H)
Shutoffs: (bbb)

Type: DCDA **Manufacturer:** Wilkins **Model:** 950XLTD A
Size: 2 **Orientation:** VU **Meters:** (N), F, G, H, I J, K L, M, N, O,
P, Q
Manual: 9 **0.25% Pb:** No **Spare Parts Only:** No
Approved: 22-Jun-2009 **Renewed:** 22-Jun-2015 **Bypass:** Wilkins 350D 3/4" (VU)
Shutoffs: (bbb)

Type: DCDA **Manufacturer:** Wilkins **Model:** 950XLTDABF
Size: 2 **Orientation:** H **Meters:** (N), F, G, H, I J, K L, M, N, O,
P, Q
Manual: 9 **0.25% Pb:** No **Spare Parts Only:** No
Approved: 19-May-2009 **Renewed:** 19-May-2015 **Bypass:** Wilkins 350D 3/4" (H)
Shutoffs: (bbbbb), ccccc

Type: DCDA **Manufacturer:** Wilkins **Model:** 950XLTDABF
Size: 2 **Orientation:** VU **Meters:** (N), F, G, H, I J, K L, M, N, O,
P, Q
Manual: 9 **0.25% Pb:** No **Spare Parts Only:** No
Approved: 22-Jun-2009 **Renewed:** 22-Jun-2015 **Bypass:** Wilkins 350D 3/4" (VU)
Shutoffs: (bbbbb), ccccc

Type: DCDA **Manufacturer:** Wilkins **Model:** DCDA
Size: 2 1/2 **Orientation:** H **Meters:**
(M),B,C,D,E,F,G,H,I,J,K,L,N,O,P,Q
Manual: 7 **0.25% Pb:** No **Spare Parts Only:** Yes
Approved: 05-Mar-1987 **Renewed:** 05-Mar-2014 **Bypass:** Wilkins 550A 3/4" (H)
Shutoffs: hh,ff,mm,uu,zz

Type: DCDA **Manufacturer:** Wilkins **Model:** DCDA
Size: 3 **Orientation:** H **Meters:**
(M),B,C,D,E,F,G,H,I,J,K,L,N,O,P,Q
Manual: 7 **0.25% Pb:** No **Spare Parts Only:** Yes
Approved: 05-Mar-1987 **Renewed:** 05-Mar-2014 **Bypass:** Wilkins 550A 3/4" (H)
Shutoffs: hh,ff,mm,uu,zz

Type: DCDA **Manufacturer:** Wilkins **Model:** DCDA
Size: 4 **Orientation:** H **Meters:**
(M),A,B,C,D,E,F,G,H,I,J,K,L,N,O,P,Q
Manual: 7 **0.25% Pb:** No **Spare Parts Only:** Yes
Approved: 18-May-1988 **Renewed:** 18-May-2015 **Bypass:** Wilkins 550A 3/4" (H)
Shutoffs: hh,ff,mm,uu,zz

Type: DCDA	Manufacturer: Wilkins	Model: DCDA
Size: 6	Orientation: H	Meters: (M),A,B,C,D,E,F,G,H,I,J,K,L,N,O,P,Q
Manual: 7	0.25% Pb: No	Spare Parts Only: Yes
Approved: 02-Jun-1988	Renewed: 01-Jun-2015	Bypass: Wilkins 550A 3/4" (H)
Shutoffs: hh,ff,mm,uu,zz		

Type: DCDA-II	Manufacturer: Backflow Direct	Model: Deringer 30
Size: 4	Orientation: H	Meters: (O),G,H,I,J,K,L,M,N,O,Q
Manual: 10	0.25% Pb: Yes	Spare Parts Only: No
Approved: 30-Sep-2015	Renewed:	Bypass: Backflow Direct 1/2" CV(HVD)
Shutoffs: (int)		

Type: DCDA-II	Manufacturer: Backflow Direct	Model: Deringer 30
Size: 4	Orientation: VU	Meters: (O),G,H,I,J,K,L,M,N,O,Q
Manual: 10	0.25% Pb: Yes	Spare Parts Only: No
Approved: 30-Sep-2015	Renewed:	Bypass: Backflow Direct 1/2" CV(VUH)
Shutoffs: (int)		

Type: DCDA-II	Manufacturer: Febco	Model: LF856
Size: 2 1/2	Orientation: H	Meters: (O),G,H,I,J,K,L,M,N,P,Q
Manual: 10	0.25% Pb: No	Spare Parts Only: No
Approved: 20-Mar-2015	Renewed:	Bypass: Watts 3/4" LF619 (H)
Shutoffs: (mm), ll		

Type: DCDA-II	Manufacturer: Febco	Model: LF856
Size: 2 1/2	Orientation: VU	Meters: (O),G,H,I,J,K,L,M,N,P,Q
Manual: 10	0.25% Pb: No	Spare Parts Only: No
Approved: 20-Mar-2015	Renewed:	Bypass: Watts 3/4" LF619 (HVU)
Shutoffs: (mm), ll		

Type: DCDA-II	Manufacturer: Febco	Model: LF856
Size: 3	Orientation: H	Meters: (O),G,H,I,J,K,L,M,N,P,Q
Manual: 10	0.25% Pb: No	Spare Parts Only: No
Approved: 20-Mar-2015	Renewed:	Bypass: Watts 3/4" LF619 (H)
Shutoffs: (mm), ll		

Type: DCDA-II **Manufacturer:** Febco **Model:** LF856
Size: 3 **Orientation:** VU **Meters:** (O),G,H,I,J,K,L,M,N,P,Q
Manual: 10 **0.25% Pb:** No **Spare Parts Only:** No
Approved: 20-Mar-2015 **Renewed:** **Bypass:** Watts 3/4" LF619 (HVU)
Shutoffs: (mm), II

Type: DCDA-II **Manufacturer:** Febco **Model:** LF856
Size: 4 **Orientation:** H **Meters:** (O),G,H,I,J,K,L,M,N,P,Q
Manual: 10 **0.25% Pb:** No **Spare Parts Only:** No
Approved: 26-Jan-2015 **Renewed:** **Bypass:** Watts 3/4" LF619 (H)
Shutoffs: (mm), II

Type: DCDA-II **Manufacturer:** Febco **Model:** LF856
Size: 4 **Orientation:** VU **Meters:** (O),G,H,I,J,K,L,M,N,P,Q
Manual: 10 **0.25% Pb:** No **Spare Parts Only:** No
Approved: 26-Jan-2015 **Renewed:** **Bypass:** Watts 3/4" LF619 (HVU)
Shutoffs: (mm), II

Type: DCDA-II **Manufacturer:** Febco **Model:** LF856
Size: 6 **Orientation:** H **Meters:** (O),G,H,I,J,K,L,M,N,P,Q
Manual: 10 **0.25% Pb:** No **Spare Parts Only:** No
Approved: 13-Mar-2015 **Renewed:** **Bypass:** Watts 3/4" LF619 (H)
Shutoffs: (mm), II

Type: DCDA-II **Manufacturer:** Febco **Model:** LF856
Size: 6 **Orientation:** VU **Meters:** (O),G,H,I,J,K,L,M,N,P,Q
Manual: 10 **0.25% Pb:** No **Spare Parts Only:** No
Approved: 13-Mar-2015 **Renewed:** **Bypass:** Watts 3/4" LF619 (HVU)
Shutoffs: (mm), II

Type: DCDA-II **Manufacturer:** Febco **Model:** LF856
Size: 8 **Orientation:** H **Meters:** (O),G,H,I,J,K,L,M,N,P,Q
Manual: 10 **0.25% Pb:** No **Spare Parts Only:** No
Approved: 07-Jul-2015 **Renewed:** **Bypass:** Watts 3/4" LF619 (H)
Shutoffs: (mm), II

Type: DCDA-II **Manufacturer:** Febco **Model:** LF856
Size: 8 **Orientation:** VU **Meters:** (O),G,H,I,J,K,L,M,N,P,Q
Manual: 10 **0.25% Pb:** No **Spare Parts Only:** No
Approved: 07-Jul-2015 **Renewed:** **Bypass:** Watts 3/4" LF619 (HVU)
Shutoffs: (mm), II

Type: DCDA-II
Size: 10
Manual: 10
Approved: 07-Jul-2015
Shutoffs: (mm), II

Manufacturer: Febco
Orientation: H
0.25% Pb: No
Renewed:

Model: LF856
Meters: (O),G,H,I,J,K,L,M,N,P,Q
Spare Parts Only: No
Bypass: Watts 3/4" LF619 (H)

Type: DCDA-II
Size: 10
Manual: 10
Approved: 07-Jul-2015
Shutoffs: (mm), II

Manufacturer: Febco
Orientation: VU
0.25% Pb: No
Renewed:

Model: LF856
Meters: (O),G,H,I,J,K,L,M,N,P,Q
Spare Parts Only: No
Bypass: Watts 3/4" LF619 (HVU)

Type: DCDA-II
Size: 2 1/2
Manual: 10
Approved: 20-Mar-2015
Shutoffs: (mm), II

Manufacturer: Febco
Orientation: VUVD
0.25% Pb: No
Renewed:

Model: LF876V
Meters: (O),G,H,I,J,K,L,M,N,P,Q
Spare Parts Only: No
Bypass: Watts 3/4" LF619 (HVU)

Type: DCDA-II
Size: 2 1/2
Manual: 10
Approved: 20-Mar-2015
Shutoffs: (mm), II

Manufacturer: Febco
Orientation: VUVU
0.25% Pb: No
Renewed:

Model: LF876V
Meters: (O),G,H,I,J,K,L,M,N,P,Q
Spare Parts Only: No
Bypass: Watts 3/4" LF619 (HVD)

Type: DCDA-II
Size: 3
Manual: 10
Approved: 20-Mar-2015
Shutoffs: (mm), II

Manufacturer: Febco
Orientation: VUVD
0.25% Pb: No
Renewed:

Model: LF876V
Meters: (O),G,H,I,J,K,L,M,N,P,Q
Spare Parts Only: No
Bypass: Watts 3/4" LF619 (HVU)

Type: DCDA-II
Size: 3
Manual: 10
Approved: 20-Mar-2015
Shutoffs: (mm), II

Manufacturer: Febco
Orientation: VUVU
0.25% Pb: No
Renewed:

Model: LF876V
Meters: (O),G,H,I,J,K,L,M,N,P,Q
Spare Parts Only: No
Bypass: Watts 3/4" LF619 (HVD)

Type: DCDA-II
Size: 4
Manual: 10
Approved: 26-Jan-2015
Shutoffs: (mm), II

Manufacturer: Febco
Orientation: VUVD
0.25% Pb: No
Renewed:

Model: LF876V
Meters: (O),G,H,I,J,K,L,M,N,P,Q
Spare Parts Only: No
Bypass: Watts 3/4" LF619 (HVU)

Type: DCDA-II **Manufacturer:** Febco **Model:** LF876V
Size: 4 **Orientation:** VUVU **Meters:** (O),G,H,I,J,K,L,M,N,P,Q
Manual: 10 **0.25% Pb:** No **Spare Parts Only:** No
Approved: 26-Jan-2015 **Renewed:** **Bypass:** Watts 3/4" LF619 (HVD)
Shutoffs: (mm), II

Type: DCDA-II **Manufacturer:** Febco **Model:** LF876V
Size: 6 **Orientation:** VUVD **Meters:** (O),G,H,I,J,K,L,M,N,P,Q
Manual: 10 **0.25% Pb:** No **Spare Parts Only:** No
Approved: 26-Jan-2015 **Renewed:** **Bypass:** Watts 3/4" LF619 (HVU)
Shutoffs: (mm), II

Type: DCDA-II **Manufacturer:** Febco **Model:** LF876V
Size: 6 **Orientation:** VUVU **Meters:** (O),J,K,L,M,N,P,Q
Manual: 10 **0.25% Pb:** No **Spare Parts Only:** No
Approved: 26-Jan-2015 **Renewed:** **Bypass:** Watts 3/4" LF619 (HVD)
Shutoffs: (mm), II

Type: DCDA-II **Manufacturer:** Febco **Model:** LF876V
Size: 8 **Orientation:** VUVD **Meters:** (O),G,H,I,J,K,L,M,N,P,Q
Manual: 10 **0.25% Pb:** No **Spare Parts Only:** No
Approved: 07-Jul-2015 **Renewed:** **Bypass:** Watts 3/4" LF619 (HVU)
Shutoffs: (mm), II

Type: DCDA-II **Manufacturer:** Febco **Model:** LF876V
Size: 8 **Orientation:** VUVU **Meters:** (O),G,H,I,J,K,L,M,N,P,Q
Manual: 10 **0.25% Pb:** No **Spare Parts Only:** No
Approved: 07-Jul-2015 **Renewed:** **Bypass:** Watts 3/4" LF619 (HVD)
Shutoffs: (mm), II

Type: PVB **Manufacturer:** Ames **Model:** A200
Size: 3/4 **Orientation:** VUH **Meters:**
Manual: 8 **0.25% Pb:** No **Spare Parts Only:** No
Approved: 06-Apr-1993 **Renewed:** 06-Apr-2014 **Bypass:**
Shutoffs: (vv),xx,ooo,hhhh,pppp

Type: PVB **Manufacturer:** Ames **Model:** A200
Size: 1 **Orientation:** VUH **Meters:**
Manual: 8 **0.25% Pb:** No **Spare Parts Only:** No
Approved: 25-May-1993 **Renewed:** 25-May-2014 **Bypass:**
Shutoffs: (vv),xx,ooo,hhhh,pppp

Type: PVB
Size: 1 1/2
Manual: 8
Approved: 21-Jun-1993
Shutoffs: (vv),xx,ooo,hhhh,pppp

Manufacturer: Ames
Orientation: VUH
0.25% Pb: No
Renewed: 21-Jun-2014

Model: A200
Meters:
Spare Parts Only: No
Bypass:

Type: PVB
Size: 2
Manual: 8
Approved: 21-Jun-1993
Shutoffs: (vv),xx,ooo,hhhh,pppp

Manufacturer: Ames
Orientation: VUH
0.25% Pb: No
Renewed: 21-Jun-2014

Model: A200
Meters:
Spare Parts Only: No
Bypass:

Type: PVB
Size: 1/2
Manual: 8
Approved: 06-Sep-1991
Shutoffs: dd

Manufacturer: Apollo/Conbraco
Orientation: VUH
0.25% Pb: No
Renewed: 06-Sep-2015

Model: 4050302
Meters:
Spare Parts Only: Yes
Bypass:

Type: PVB
Size: 3/4
Manual: 8
Approved: 06-Sep-1991
Shutoffs: (dd)

Manufacturer: Apollo/Conbraco
Orientation: VUH
0.25% Pb: No
Renewed: 06-Sep-2015

Model: 4050402
Meters:
Spare Parts Only: No
Bypass:

Type: PVB
Size: 1
Manual: 8
Approved: 06-Sep-1991
Shutoffs: (dd)

Manufacturer: Apollo/Conbraco
Orientation: VUH
0.25% Pb: No
Renewed: 06-Sep-2015

Model: 4050502
Meters:
Spare Parts Only: No
Bypass:

Type: PVB
Size: 1 1/4
Manual: 8
Approved: 01-Dec-1993
Shutoffs: (dd)

Manufacturer: Apollo/Conbraco
Orientation: VUH
0.25% Pb: No
Renewed: 01-Dec-2014

Model: 4050602
Meters:
Spare Parts Only: No
Bypass:

Type: PVB
Size: 1 1/2
Manual: 8
Approved: 01-Dec-1993
Shutoffs: (dd)

Manufacturer: Apollo/Conbraco
Orientation: VUH
0.25% Pb: No
Renewed: 01-Dec-2014

Model: 4050702
Meters:
Spare Parts Only: No
Bypass:

Type: PVB	Manufacturer: Apollo/Conbraco	Model: 4050802
Size: 2	Orientation: VUH	Meters:
Manual: 8	0.25% Pb: No	Spare Parts Only: No
Approved: 01-Dec-1993	Renewed: 01-Dec-2014	Bypass:
Shutoffs: (dd)		

Type: PVB	Manufacturer: Apollo/Conbraco	Model: PVB
Size: 1/2	Orientation:	Meters:
Manual:	0.25% Pb: No	Spare Parts Only: No
Approved:	Renewed:	Bypass:
Notes: model designation changed to PVB4V		

Type: PVB	Manufacturer: Apollo/Conbraco	Model: PVB
Size: 3/4	Orientation:	Meters:
Manual:	0.25% Pb: No	Spare Parts Only: No
Approved:	Renewed:	Bypass:
Notes: model designation changed to PVB4V		

Type: PVB	Manufacturer: Apollo/Conbraco	Model: PVB
Size: 1	Orientation:	Meters:
Manual:	0.25% Pb: No	Spare Parts Only: No
Approved:	Renewed:	Bypass:
Notes: model designation changed to PVB4V		

Type: PVB	Manufacturer: Apollo/Conbraco	Model: PVB
Size: 1 1/4	Orientation:	Meters:
Manual:	0.25% Pb: No	Spare Parts Only: No
Approved:	Renewed:	Bypass:
Notes: model designation changed to PVB4V		

Type: PVB	Manufacturer: Apollo/Conbraco	Model: PVB
Size: 1 1/2	Orientation:	Meters:
Manual:	0.25% Pb: No	Spare Parts Only: No
Approved:	Renewed:	Bypass:
Notes: model designation changed to PVB4V		

Type: PVB	Manufacturer: Apollo/Conbraco	Model: PVB
Size: 2	Orientation:	Meters:
Manual:	0.25% Pb: No	Spare Parts Only: No
Approved:	Renewed:	Bypass:
Notes: model designation changed to PVB4V		

Type: PVB	Manufacturer: Apollo/Conbraco	Model: PVB4A
Size: 1/2	Orientation: VUH	Meters:
Manual: 9	0.25% Pb: No	Spare Parts Only: No
Approved: 18-Nov-2010	Renewed: 18-Nov-2013	Bypass:
Shutoffs: (iiii),sssss		

Type: PVB	Manufacturer: Apollo/Conbraco	Model: PVB4A
Size: 3/4	Orientation: VUH	Meters:
Manual: 9	0.25% Pb: No	Spare Parts Only: No
Approved: 18-Nov-2010	Renewed: 18-Nov-2013	Bypass:
Shutoffs: (iiii),sssss		

Type: PVB	Manufacturer: Apollo/Conbraco	Model: PVB4A
Size: 1	Orientation: VUH	Meters:
Manual: 9	0.25% Pb: No	Spare Parts Only: No
Approved: 18-Nov-2010	Renewed: 18-Nov-2013	Bypass:
Shutoffs: (iiii),sssss		

Type: PVB	Manufacturer: Apollo/Conbraco	Model: PVB4A
Size: 1 1/4	Orientation: VUH	Meters:
Manual: 9	0.25% Pb: No	Spare Parts Only: No
Approved: 27-Apr-2011	Renewed: 27-Apr-2014	Bypass:
Shutoffs: (iiii),sssss		

Type: PVB	Manufacturer: Apollo/Conbraco	Model: PVB4A
Size: 1 1/2	Orientation: VUH	Meters:
Manual: 9	0.25% Pb: No	Spare Parts Only: No
Approved: 27-Apr-2011	Renewed: 27-Apr-2014	Bypass:
Shutoffs: (iiii),sssss		

Type: PVB	Manufacturer: Apollo/Conbraco	Model: PVB4A
Size: 2	Orientation: VUH	Meters:
Manual: 9	0.25% Pb: No	Spare Parts Only: No
Approved: 30-Jan-2012	Renewed: 30-Jan-2015	Bypass:
Shutoffs: (iiii),sssss		

Type: PVB
Size: 1/2
Manual: 9
Approved: 23-Sep-1999
Shutoffs: (dd)
Notes: formerly PVB

Manufacturer: Apollo/Conbraco
Orientation: VUH
0.25% Pb: No
Renewed: 23-Sep-2014

Model: PVB4V
Meters:
Spare Parts Only: No
Bypass:

Type: PVB
Size: 3/4
Manual: 9
Approved: 23-Sep-1999
Shutoffs: (dd)
Notes: formerly PVB

Manufacturer: Apollo/Conbraco
Orientation: VUH
0.25% Pb: No
Renewed: 23-Sep-2014

Model: PVB4V
Meters:
Spare Parts Only: No
Bypass:

Type: PVB
Size: 1
Manual: 9
Approved: 23-Sep-1999
Shutoffs: (dd)
Notes: formerly PVB

Manufacturer: Apollo/Conbraco
Orientation: VUH
0.25% Pb: No
Renewed: 23-Sep-2014

Model: PVB4V
Meters:
Spare Parts Only: No
Bypass:

Type: PVB
Size: 1 1/4
Manual: 9
Approved: 07-Oct-2002
Shutoffs: (dd)
Notes: formerly PVB

Manufacturer: Apollo/Conbraco
Orientation: VUH
0.25% Pb: No
Renewed: 07-Oct-2014

Model: PVB4V
Meters:
Spare Parts Only: No
Bypass:

Type: PVB
Size: 1 1/2
Manual: 9
Approved: 07-Oct-2002
Shutoffs: (dd)
Notes: formerly PVB

Manufacturer: Apollo/Conbraco
Orientation: VUH
0.25% Pb: No
Renewed: 07-Oct-2014

Model: PVB4V
Meters:
Spare Parts Only: No
Bypass:

Type: PVB
Size: 2
Manual: 9
Approved: 18-Jun-2003
Shutoffs: (dd)
Notes: formerly PVB

Manufacturer: Apollo/Conbraco
Orientation: VUH
0.25% Pb: No
Renewed: 18-Jun-2015

Model: PVB4V
Meters:
Spare Parts Only: No
Bypass:

Type: PVB	Manufacturer: Conbraco	Model:
Size:	Orientation:	Meters:
Manual:	0.25% Pb: No	Spare Parts Only: No
Approved:	Renewed:	Bypass:
Notes: See Apollo/Conbraco		

Type: PVB	Manufacturer: Febco	Model: 765
Size: 1/2	Orientation: VUH	Meters:
Manual: 5	0.25% Pb: No	Spare Parts Only: No
Approved: 26-Mar-1974	Renewed: 01-Jul-2013	Bypass:
Shutoffs: (ii),fff,jjj,ooo		

Type: PVB	Manufacturer: Febco	Model: 765
Size: 3/4	Orientation: VUH	Meters:
Manual: 5	0.25% Pb: No	Spare Parts Only: No
Approved: 26-Mar-1974	Renewed: 01-Jul-2013	Bypass:
Shutoffs: (ii),fff,jjj,ooo,xxx		

Type: PVB	Manufacturer: Febco	Model: 765
Size: 1	Orientation: VUH	Meters:
Manual: 5	0.25% Pb: No	Spare Parts Only: No
Approved: 26-Mar-1974	Renewed: 01-Jul-2013	Bypass:
Shutoffs: (ii),fff,jjj,ooo,xxx		

Type: PVB	Manufacturer: Febco	Model: 765
Size: 1 1/4	Orientation: VUH	Meters:
Manual: 5	0.25% Pb: No	Spare Parts Only: No
Approved: 26-Mar-1974	Renewed: 01-Jul-2013	Bypass:
Shutoffs: (ii),fff,jjj,ooo		

Type: PVB	Manufacturer: Febco	Model: 765
Size: 1 1/2	Orientation: VUH	Meters:
Manual: 5	0.25% Pb: No	Spare Parts Only: No
Approved: 26-Mar-1974	Renewed: 01-Jul-2013	Bypass:
Shutoffs: (ii),fff,jjj,ooo,xxx		

Type: PVB	Manufacturer: Febco	Model: 765
Size: 2	Orientation: VUH	Meters:
Manual: 5	0.25% Pb: No	Spare Parts Only: No
Approved: 26-Mar-1974	Renewed: 01-Jul-2013	Bypass:
Shutoffs: (ii),fff,ooo,xxx		

Type: PVB **Manufacturer:** Febco **Model:** 767-FR
Size: 1/2 **Orientation:** VUH **Meters:**
Manual: 9 **0.25% Pb:** No **Spare Parts Only:** No
Approved: 01-Aug-2006 **Renewed:** 01-Aug-2015 **Bypass:**
Shutoffs: (vv), xx,pppp,rrrr

Type: PVB **Manufacturer:** Febco **Model:** 767-FR
Size: 3/4 **Orientation:** VUH **Meters:**
Manual: 9 **0.25% Pb:** No **Spare Parts Only:** No
Approved: 01-Aug-2006 **Renewed:** 01-Aug-2015 **Bypass:**
Shutoffs: (vv), xx,pppp,rrrr

Type: PVB **Manufacturer:** Febco **Model:** 767-FR
Size: 1 **Orientation:** VUH **Meters:**
Manual: 9 **0.25% Pb:** No **Spare Parts Only:** No
Approved: 01-Aug-2006 **Renewed:** 01-Aug-2015 **Bypass:**
Shutoffs: (vv), xx,pppp,rrrr

Type: PVB **Manufacturer:** Febco **Model:** 767-FR
Size: 1 1/4 **Orientation:** VUH **Meters:**
Manual: 9 **0.25% Pb:** No **Spare Parts Only:** No
Approved: 01-Aug-2006 **Renewed:** 01-Aug-2015 **Bypass:**
Shutoffs: (vv), xx,pppp,rrrr

Type: PVB **Manufacturer:** Febco **Model:** 767-FR
Size: 1 1/2 **Orientation:** VUH **Meters:**
Manual: 9 **0.25% Pb:** No **Spare Parts Only:** No
Approved: 01-Aug-2006 **Renewed:** 01-Aug-2015 **Bypass:**
Shutoffs: (vv), xx,pppp,rrrr

Type: PVB **Manufacturer:** Febco **Model:** 767-FR
Size: 2 **Orientation:** VUH **Meters:**
Manual: 9 **0.25% Pb:** No **Spare Parts Only:** No
Approved: 01-Aug-2006 **Renewed:** 01-Aug-2015 **Bypass:**
Shutoffs: (vv), xx,pppp,rrrr

Type: PVB **Manufacturer:** Febco **Model:** LF767FR
Size: 1/2 **Orientation:** VUH **Meters:**
Manual: 9 **0.25% Pb:** Yes **Spare Parts Only:** No
Approved: 04-May-2010 **Renewed:** 04-May-2013 **Bypass:**
Shutoffs: (hhhh),rrrr

Type: PVB
Size: 3/4
Manual: 9
Approved: 04-May-2010
Shutoffs: (hhhh),rrrr

Manufacturer: Febco
Orientation: VUH
0.25% Pb: Yes
Renewed: 04-May-2013

Model: LF767FR
Meters:
Spare Parts Only: No
Bypass:

Type: PVB
Size: 1
Manual: 9
Approved: 04-May-2010
Shutoffs: (hhhh),rrrr

Manufacturer: Febco
Orientation: VUH
0.25% Pb: Yes
Renewed: 04-May-2013

Model: LF767FR
Meters:
Spare Parts Only: No
Bypass:

Type: PVB
Size: 1 1/4
Manual: 9
Approved: 04-May-2010
Shutoffs: (hhhh),rrrr

Manufacturer: Febco
Orientation: VUH
0.25% Pb: Yes
Renewed: 04-May-2013

Model: LF767FR
Meters:
Spare Parts Only: No
Bypass:

Type: PVB
Size: 1 1/2
Manual: 9
Approved: 04-May-2010
Shutoffs: (hhhh),rrrr

Manufacturer: Febco
Orientation: VUH
0.25% Pb: Yes
Renewed: 04-May-2013

Model: LF767FR
Meters:
Spare Parts Only: No
Bypass:

Type: PVB
Size: 2
Manual: 9
Approved: 04-May-2010
Shutoffs: (hhhh),rrrr

Manufacturer: Febco
Orientation: VUH
0.25% Pb: Yes
Renewed: 04-May-2013

Model: LF767FR
Meters:
Spare Parts Only: No
Bypass:

Type: PVB
Size: 3/4
Manual: 9
Approved: 21-Nov-1997
Shutoffs: (ii)

Manufacturer: Flomatic
Orientation: VUH
0.25% Pb: No
Renewed: 21-Nov-2012

Model: PVB
Meters:
Spare Parts Only: Yes
Bypass:

Type: PVB
Size: 1
Manual: 9
Approved: 21-Nov-1997
Shutoffs: (ii)

Manufacturer: Flomatic
Orientation: VUH
0.25% Pb: No
Renewed: 21-Nov-2012

Model: PVB
Meters:
Spare Parts Only: Yes
Bypass:

Type: PVB	Manufacturer: Neptune	Model:
Size:	Orientation:	Meters:
Manual:	0.25% Pb: No	Spare Parts Only: No
Approved:	Renewed:	Bypass:
Notes: See Wilkins		

Type: PVB	Manufacturer: Watts	Model: 800CMQT
Size: 1/2	Orientation: VUH	Meters:
Manual: 8	0.25% Pb: No	Spare Parts Only: Yes
Approved: 18-Jul-1989	Renewed: 18-Jul-2013	Bypass:
Shutoffs: vv,xx,ooo,hhhh,pppp		

Type: PVB	Manufacturer: Watts	Model: 800CMQT
Size: 3/4	Orientation: VUH	Meters:
Manual: 8	0.25% Pb: No	Spare Parts Only: Yes
Approved: 18-Jul-1989	Renewed: 18-Jul-2013	Bypass:
Shutoffs: vv,xx,ooo,hhhh,pppp		

Type: PVB	Manufacturer: Watts	Model: 800M2QT
Size: 1/2	Orientation: VUH	Meters:
Manual: 8	0.25% Pb: No	Spare Parts Only: Yes
Approved: 09-Jul-1991	Renewed: 09-Jul-2015	Bypass:
Shutoffs: vv,xx,ooo,hhhh,pppp		

Type: PVB	Manufacturer: Watts	Model: 800M2QT
Size: 3/4	Orientation: VUH	Meters:
Manual: 8	0.25% Pb: No	Spare Parts Only: Yes
Approved: 09-Jul-1991	Renewed: 09-Jul-2015	Bypass:
Shutoffs: vv,xx,ooo,hhhh,pppp		

Type: PVB	Manufacturer: Watts	Model: 800M2QT
Size: 1	Orientation: VUH	Meters:
Manual: 8	0.25% Pb: No	Spare Parts Only: Yes
Approved: 09-Jul-1991	Renewed: 09-Jul-2015	Bypass:
Shutoffs: vv,xx,ooo,hhhh,pppp		

Type: PVB	Manufacturer: Watts	Model: 800M2QT
Size: 1 1/4	Orientation: VUH	Meters:
Manual: 8	0.25% Pb: No	Spare Parts Only: Yes
Approved: 25-Mar-1993	Renewed: 25-Mar-2014	Bypass:
Shutoffs: vv,xx,ooo,hhhh,pppp		

Type: PVB	Manufacturer: Watts	Model: 800M2QT
Size: 1 1/2	Orientation: VUH	Meters:
Manual: 8	0.25% Pb: No	Spare Parts Only: Yes
Approved: 25-Mar-1993	Renewed: 25-Mar-2014	Bypass:
Shutoffs: vv,xx,ooo,hhhh,pppp		

Type: PVB	Manufacturer: Watts	Model: 800M2QT
Size: 2	Orientation: VUH	Meters:
Manual: 8	0.25% Pb: No	Spare Parts Only: Yes
Approved: 25-Mar-1993	Renewed: 25-Mar-2014	Bypass:
Shutoffs: vv,xx,ooo,hhhh,pppp		

Type: PVB	Manufacturer: Watts	Model: 800M3QT
Size: 1/2	Orientation: VUH	Meters:
Manual: 8	0.25% Pb: No	Spare Parts Only: Yes
Approved: 24-Feb-1992	Renewed: 24-Feb-2013	Bypass:
Shutoffs: vv,xx,ooo,hhhh,pppp		

Type: PVB	Manufacturer: Watts	Model: 800M3QT
Size: 3/4	Orientation: VUH	Meters:
Manual: 8	0.25% Pb: No	Spare Parts Only: Yes
Approved: 24-Feb-1992	Renewed: 24-Feb-2013	Bypass:
Shutoffs: vv,xx,ooo,hhhh,pppp		

Type: PVB	Manufacturer: Watts	Model: 800M4FR
Size: 1/2	Orientation: VUH	Meters:
Manual: 9	0.25% Pb: No	Spare Parts Only: No
Approved: 12-May-1998	Renewed: 12-May-2013	Bypass:
Shutoffs: (vv),xx,ooo,hhhh,pppp,rrrr		

Type: PVB	Manufacturer: Watts	Model: 800M4FR
Size: 3/4	Orientation: VUH	Meters:
Manual: 9	0.25% Pb: No	Spare Parts Only: No
Approved: 12-May-1998	Renewed: 12-May-2013	Bypass:
Shutoffs: (vv),xx,ooo,hhhh,pppp,rrrr		

Type: PVB	Manufacturer: Watts	Model: 800M4FR
Size: 1	Orientation: VUH	Meters:
Manual: 9	0.25% Pb: No	Spare Parts Only: No
Approved: 01-Sep-1995	Renewed: 01-Sep-2013	Bypass:
Shutoffs: (vv),xx,ooo,hhhh,pppp,rrrr		

Type: PVB
Size: 1 1/4
Manual: 9
Approved: 13-May-1997
Shutoffs: (vv),xx,ooo,hhhh,pppp,rrrr

Manufacturer: Watts
Orientation: VUH
0.25% Pb: No
Renewed: 13-May-2015

Model: 800M4FR
Meters:
Spare Parts Only: No
Bypass:

Type: PVB
Size: 1 1/2
Manual: 9
Approved: 13-May-1997
Shutoffs: (vv),xx,ooo,hhhh,pppp,rrrr

Manufacturer: Watts
Orientation: VUH
0.25% Pb: No
Renewed: 13-May-2015

Model: 800M4FR
Meters:
Spare Parts Only: No
Bypass:

Type: PVB
Size: 2
Manual: 9
Approved: 13-May-1997
Shutoffs: (vv),xx,ooo,hhhh,pppp,rrrr

Manufacturer: Watts
Orientation: VUH
0.25% Pb: No
Renewed: 13-May-2015

Model: 800M4FR
Meters:
Spare Parts Only: No
Bypass:

Type: PVB
Size: 1/2
Manual: 8
Approved: 06-Sep-1993
Shutoffs: (vv),xx,ooo,hhhh,pppp,rrrr

Manufacturer: Watts
Orientation: VUH
0.25% Pb: No
Renewed: 06-Sep-2014

Model: 800M4QT
Meters:
Spare Parts Only: No
Bypass:

Type: PVB
Size: 3/4
Manual: 8
Approved: 06-Apr-1993
Shutoffs: (vv),xx,ooo,hhhh,pppp,rrrr

Manufacturer: Watts
Orientation: VUH
0.25% Pb: No
Renewed: 06-Apr-2014

Model: 800M4QT
Meters:
Spare Parts Only: No
Bypass:

Type: PVB
Size: 1
Manual: 8
Approved: 25-May-1993
Shutoffs: (vv),xx,ooo,hhhh,pppp,rrrr

Manufacturer: Watts
Orientation: VUH
0.25% Pb: No
Renewed: 25-May-2014

Model: 800M4QT
Meters:
Spare Parts Only: No
Bypass:

Type: PVB
Size: 1 1/4
Manual: 8
Approved: 24-May-1994
Shutoffs: (vv),xx,ooo,hhhh,pppp,rrrr

Manufacturer: Watts
Orientation: VUH
0.25% Pb: No
Renewed: 24-May-2015

Model: 800M4QT
Meters:
Spare Parts Only: No
Bypass:

Type: PVB
Size: 1 1/2
Manual: 8
Approved: 21-Jun-1993
Shutoffs: (vv),xx,ooo,hhhh,pppp,rrrr

Manufacturer: Watts
Orientation: VUH
0.25% Pb: No
Renewed: 21-Jun-2014

Model: 800M4QT
Meters:
Spare Parts Only: No
Bypass:

Type: PVB
Size: 2
Manual: 8
Approved: 21-Jun-1993
Shutoffs: (vv),xx,ooo,hhhh,pppp,rrrr

Manufacturer: Watts
Orientation: VUH
0.25% Pb: No
Renewed: 21-Jun-2014

Model: 800M4QT
Meters:
Spare Parts Only: No
Bypass:

Type: PVB
Size: 1/2
Manual: 8
Approved: 18-Jul-1989
Shutoffs: vv,xx,ooo,hhhh,pppp

Manufacturer: Watts
Orientation: VUH
0.25% Pb: No
Renewed: 18-Jul-2013

Model: 800MQT
Meters:
Spare Parts Only: Yes
Bypass:

Type: PVB
Size: 3/4
Manual: 8
Approved: 18-Jul-1989
Shutoffs: vv,xx,ooo,hhhh,pppp

Manufacturer: Watts
Orientation: VUH
0.25% Pb: No
Renewed: 18-Jul-2013

Model: 800MQT
Meters:
Spare Parts Only: Yes
Bypass:

Type: PVB
Size: 3/4
Manual: 5
Approved: 14-Feb-1978
Shutoffs: vv,xx,ooo,hhhh,pppp

Manufacturer: Watts
Orientation: VUH
0.25% Pb: No
Renewed: 14-Feb-2014

Model: 800QT
Meters:
Spare Parts Only: Yes
Bypass:

Type: PVB
Size: 1
Manual: 5
Approved: 14-Feb-1978
Shutoffs: vv,xx,ooo,hhhh,pppp

Manufacturer: Watts
Orientation: VUH
0.25% Pb: No
Renewed: 14-Feb-2014

Model: 800QT
Meters:
Spare Parts Only: Yes
Bypass:

Type: PVB
Size: 1 1/4
Manual: 5
Approved: 14-Feb-1978
Shutoffs: vv,xx,ooo,hhhh,pppp

Manufacturer: Watts
Orientation: VUH
0.25% Pb: No
Renewed: 14-Feb-2014

Model: 800QT
Meters:
Spare Parts Only: Yes
Bypass:

Type: PVB	Manufacturer: Watts	Model: 800QT
Size: 1 1/2	Orientation: VUH	Meters:
Manual: 5	0.25% Pb: No	Spare Parts Only: Yes
Approved: 14-Feb-1978	Renewed: 14-Feb-2014	Bypass:
Shutoffs: vv,xx,ooo,hhhh,pppp		

Type: PVB	Manufacturer: Watts	Model: 800QT
Size: 2	Orientation: VUH	Meters:
Manual: 5	0.25% Pb: No	Spare Parts Only: Yes
Approved: 14-Feb-1978	Renewed: 14-Feb-2014	Bypass:
Shutoffs: vv,xx,ooo,hhhh,pppp		

Type: PVB	Manufacturer: Watts	Model: LF800M4FR
Size: 1/2	Orientation: VUH	Meters:
Manual: 9	0.25% Pb: Yes	Spare Parts Only: No
Approved: 12-Jan-2010	Renewed: 12-Jan-2013	Bypass:
Shutoffs: (hhhh),rrrr		

Type: PVB	Manufacturer: Watts	Model: LF800M4FR
Size: 3/4	Orientation: VUH	Meters:
Manual: 9	0.25% Pb: Yes	Spare Parts Only: No
Approved: 12-Jan-2010	Renewed: 12-Jan-2013	Bypass:
Shutoffs: (hhhh),rrrr		

Type: PVB	Manufacturer: Watts	Model: LF800M4FR
Size: 1	Orientation: VUH	Meters:
Manual: 9	0.25% Pb: Yes	Spare Parts Only: No
Approved: 05-Dec-2014	Renewed:	Bypass:
Shutoffs: (hhhh),rrrr		

Type: PVB	Manufacturer: Watts	Model: LF800M4FR
Size: 1 1/4	Orientation: VUH	Meters:
Manual: 9	0.25% Pb: Yes	Spare Parts Only: No
Approved: 12-Jan-2010	Renewed: 12-Jan-2013	Bypass:
Shutoffs: (hhhh),rrrr		

Type: PVB	Manufacturer: Watts	Model: LF800M4FR
Size: 1 1/2	Orientation: VUH	Meters:
Manual: 9	0.25% Pb: Yes	Spare Parts Only: No
Approved: 12-Jan-2010	Renewed: 12-Jan-2013	Bypass:
Shutoffs: (hhhh),rrrr		

Type: PVB	Manufacturer: Watts	Model: LF800M4FR
Size: 2	Orientation: VUH	Meters:
Manual: 9	0.25% Pb: Yes	Spare Parts Only: No
Approved: 12-Jan-2010	Renewed: 12-Jan-2013	Bypass:
Shutoffs: (hhhh),rrrr		

Type: PVB	Manufacturer: Watts	Model: LF800M4QT
Size: 1/2	Orientation: VUH	Meters:
Manual: 9	0.25% Pb: Yes	Spare Parts Only: No
Approved: 12-Jan-2010	Renewed: 12-Jan-2013	Bypass:
Shutoffs: (hhhh),rrrr		

Type: PVB	Manufacturer: Watts	Model: LF800M4QT
Size: 3/4	Orientation: VUH	Meters:
Manual: 9	0.25% Pb: Yes	Spare Parts Only: No
Approved: 12-Jan-2010	Renewed: 12-Jan-2013	Bypass:
Shutoffs: (hhhh),rrrr		

Type: PVB	Manufacturer: Watts	Model: LF800M4QT
Size: 1	Orientation: VUH	Meters:
Manual: 9	0.25% Pb: Yes	Spare Parts Only: No
Approved: 05-Dec-2014	Renewed:	Bypass:
Shutoffs: (hhhh),rrrr		

Type: PVB	Manufacturer: Watts	Model: LF800M4QT
Size: 1 1/4	Orientation: VUH	Meters:
Manual: 9	0.25% Pb: Yes	Spare Parts Only: No
Approved: 12-Jan-2010	Renewed: 12-Jan-2013	Bypass:
Shutoffs: (hhhh),rrrr		

Type: PVB	Manufacturer: Watts	Model: LF800M4QT
Size: 1 1/2	Orientation: VUH	Meters:
Manual: 9	0.25% Pb: Yes	Spare Parts Only: No
Approved: 12-Jan-2010	Renewed: 12-Jan-2013	Bypass:
Shutoffs: (hhhh),rrrr		

Type: PVB	Manufacturer: Watts	Model: LF800M4QT
Size: 2	Orientation: VUH	Meters:
Manual: 9	0.25% Pb: Yes	Spare Parts Only: No
Approved: 12-Jan-2010	Renewed: 12-Jan-2013	Bypass:
Shutoffs: (hhhh),rrrr		

Type: PVB	Manufacturer: Wilkins	Model: 420
Size: 1/2	Orientation: VUH	Meters:
Manual: 9	0.25% Pb: No	Spare Parts Only: No
Approved: 17-Jul-1999	Renewed: 17-Jul-2014	Bypass:
Shutoffs: (ii),000		

Type: PVB	Manufacturer: Wilkins	Model: 420
Size: 3/4	Orientation: VUH	Meters:
Manual: 9	0.25% Pb: No	Spare Parts Only: No
Approved: 17-Jul-1999	Renewed: 17-Jul-2014	Bypass:
Shutoffs: (ii),000		

Type: PVB	Manufacturer: Wilkins	Model: 420
Size: 1	Orientation: VUH	Meters:
Manual: 9	0.25% Pb: No	Spare Parts Only: No
Approved: 29-Sep-2000	Renewed: 29-Sep-2015	Bypass:
Shutoffs: (ii),000		

Type: PVB	Manufacturer: Wilkins	Model: 420XL
Size: 1/2	Orientation: VUH	Meters:
Manual: 9	0.25% Pb: Yes	Spare Parts Only: No
Approved: 21-Mar-2011	Renewed: 21-Mar-2014	Bypass:
Shutoffs: (iii)		

Type: PVB	Manufacturer: Wilkins	Model: 420XL
Size: 3/4	Orientation: VUH	Meters:
Manual: 9	0.25% Pb: Yes	Spare Parts Only: No
Approved: 21-Mar-2011	Renewed: 21-Mar-2014	Bypass:
Shutoffs: (iii)		

Type: PVB	Manufacturer: Wilkins	Model: 420XL
Size: 1	Orientation: VUH	Meters:
Manual: 9	0.25% Pb: Yes	Spare Parts Only: Yes
Approved: 03-Aug-2011	Renewed: 03-Aug-2014	Bypass:
Shutoffs: (iii)		

Type: PVB	Manufacturer: Wilkins	Model: 720A
Size: 1/2	Orientation: VUH	Meters:
Manual: 5	0.25% Pb: No	Spare Parts Only: No
Approved: 28-Aug-1978	Renewed: 28-Aug-2014	Bypass:
Shutoffs: (ii),000		
Notes: Beginning with Serial No. T00001 the test cocks were moved from the body to the shutoff valves.		

Type: PVB	Manufacturer: Wilkins	Model: 720A
Size: 3/4	Orientation: VUH	Meters:
Manual: 5	0.25% Pb: No	Spare Parts Only: No
Approved: 28-Aug-1978	Renewed: 28-Aug-2014	Bypass:
Shutoffs: (ii),000		
Notes: Beginning with Serial No. T00001 the test cocks were moved from the body to the shutoff valves.		

Type: PVB	Manufacturer: Wilkins	Model: 720A
Size: 1	Orientation: VUH	Meters:
Manual: 5	0.25% Pb: No	Spare Parts Only: No
Approved: 28-Aug-1978	Renewed: 28-Aug-2014	Bypass:
Shutoffs: (ii),000		
Notes: Beginning with Serial No. T00001 the test cocks were moved from the body to the shutoff valves.		

Type: PVB	Manufacturer: Wilkins	Model: 720A
Size: 1 1/4	Orientation: VUH	Meters:
Manual: 5	0.25% Pb: No	Spare Parts Only: No
Approved: 28-Aug-1978	Renewed: 28-Aug-2014	Bypass:
Shutoffs: (ii),000		
Notes: Beginning with Serial No. T00001 the test cocks were moved from the body to the shutoff valves.		

Type: PVB	Manufacturer: Wilkins	Model: 720A
Size: 1 1/2	Orientation: VUH	Meters:
Manual: 5	0.25% Pb: No	Spare Parts Only: No
Approved: 28-Aug-1978	Renewed: 28-Aug-2014	Bypass:
Shutoffs: (ii),000		
Notes: Beginning with Serial No. T00001 the test cocks were moved from the body to the shutoff valves.		

Type: PVB	Manufacturer: Wilkins	Model: 720A
Size: 2	Orientation: VUH	Meters:
Manual: 5	0.25% Pb: No	Spare Parts Only: No
Approved: 28-Aug-1978	Renewed: 28-Aug-2014	Bypass:
Shutoffs: (ii),000		
Notes: Beginning with Serial No. T00001 the test cocks were moved from the body to the shutoff valves.		

Type: RP **Manufacturer:** Ames **Model:** 4000B
Size: 1/2 **Orientation:** H **Meters:**
Manual: 9 **0.25% Pb:** No **Spare Parts Only:** No
Approved: 10-Sep-1996 **Renewed:** 10-Sep-2014 **Bypass:**
Shutoffs: (vv),xx,ooo,hhhh,pppp,rrrr
Notes: Previously Approved 8th Ed. (26 May 1993)

Type: RP **Manufacturer:** Ames **Model:** 4000B
Size: 3/4 **Orientation:** H **Meters:**
Manual: 8 **0.25% Pb:** No **Spare Parts Only:** No
Approved: 31-Oct-1992 **Renewed:** 31-Oct-2013 **Bypass:**
Shutoffs: (vv),xx,ooo,hhhh,pppp,rrrr

Type: RP **Manufacturer:** Ames **Model:** 4000B
Size: 1 **Orientation:** H **Meters:**
Manual: 7 **0.25% Pb:** No **Spare Parts Only:** No
Approved: 11-Jan-1988 **Renewed:** 11-Jan-2015 **Bypass:**
Shutoffs: (vv),xx,ooo,hhhh,pppp,rrrr

Type: RP **Manufacturer:** Ames **Model:** 4000B
Size: 1 1/4 **Orientation:** H **Meters:**
Manual: 8 **0.25% Pb:** No **Spare Parts Only:** No
Approved: 24-Aug-1993 **Renewed:** 24-Aug-2014 **Bypass:**
Shutoffs: (vv),xx,ooo,hhhh,pppp,rrrr

Type: RP **Manufacturer:** Ames **Model:** 4000B
Size: 1 1/2 **Orientation:** H **Meters:**
Manual: 8 **0.25% Pb:** No **Spare Parts Only:** No
Approved: 24-Aug-1993 **Renewed:** 24-Aug-2014 **Bypass:**
Shutoffs: (vv),xx,ooo,hhhh,pppp,rrrr

Type: RP **Manufacturer:** Ames **Model:** 4000B
Size: 2 **Orientation:** H **Meters:**
Manual: 9 **0.25% Pb:** No **Spare Parts Only:** No
Approved: 10-Sep-1996 **Renewed:** 10-Sep-2014 **Bypass:**
Shutoffs: (vv),xx,ooo,hhhh,pppp,rrrr

Type: RP	Manufacturer: Ames	Model: 4000B-FP
Size: 3/4	Orientation: H	Meters:
Manual: 9	0.25% Pb: No	Spare Parts Only: No
Approved: 01-Sep-2009	Renewed: 01-Sep-2015	Bypass:
Shutoffs: (eeeeee)		

Type: RP	Manufacturer: Ames	Model: 4000B-FP
Size: 1	Orientation: H	Meters:
Manual: 9	0.25% Pb: No	Spare Parts Only: No
Approved: 01-Sep-2009	Renewed: 01-Sep-2015	Bypass:
Shutoffs: (eeeeee)		

Type: RP	Manufacturer: Ames	Model: 4000B-FP
Size: 1 1/4	Orientation: H	Meters:
Manual: 9	0.25% Pb: No	Spare Parts Only: No
Approved: 01-Sep-2009	Renewed: 01-Sep-2015	Bypass:
Shutoffs: (eeeeee)		

Type: RP	Manufacturer: Ames	Model: 4000B-FP
Size: 1 1/2	Orientation: H	Meters:
Manual: 9	0.25% Pb: No	Spare Parts Only: No
Approved: 01-Sep-2009	Renewed: 01-Sep-2015	Bypass:
Shutoffs: (eeeeee)		

Type: RP	Manufacturer: Ames	Model: 4000B-FP
Size: 2	Orientation: H	Meters:
Manual: 9	0.25% Pb: No	Spare Parts Only: No
Approved: 01-Sep-2009	Renewed: 01-Sep-2015	Bypass:
Shutoffs: (eeeeee)		

Type: RP	Manufacturer: Ames	Model: 4000BM2
Size: 1	Orientation: H	Meters:
Manual: 9	0.25% Pb: No	Spare Parts Only: No
Approved: 18-May-1998	Renewed: 18-May-2013	Bypass:
Shutoffs: (vv),xx,ooo,hhhh,pppp,rrrr		

Type: RP	Manufacturer: Ames	Model: 4000BM2-FP
Size: 1	Orientation: H	Meters:
Manual: 9	0.25% Pb: No	Spare Parts Only: No
Approved: 01-Sep-2009	Renewed: 01-Sep-2015	Bypass:
Shutoffs: (eeeeee)		

Type: RP
Size: 3/4
Manual: 9
Approved: 27-Mar-2000
Shutoffs: (vv),xx,ooo,hhhh,pppp,rrrr

Manufacturer: Ames
Orientation: H
0.25% Pb: No
Renewed: 27-Mar-2015

Model: 4000BM3
Meters:
Spare Parts Only: No
Bypass:

Type: RP
Size: 3/4
Manual: 9
Approved: 01-Sep-2009
Shutoffs: (eeee)

Manufacturer: Ames
Orientation: H
0.25% Pb: No
Renewed: 01-Sep-2015

Model: 4000BM3-FP
Meters:
Spare Parts Only: No
Bypass:

Type: RP
Size: 2 1/2
Manual: 7
Approved: 07-Jul-2000
Shutoffs: (oo),gg,hh,ll,mm,pp,tt,uu

Manufacturer: Ames
Orientation: H
0.25% Pb: No
Renewed: 07-Jul-2015

Model: 4000CIV
Meters:
Spare Parts Only: No
Bypass:

Type: RP
Size: 3
Manual: 7
Approved: 07-Jul-2000
Shutoffs: (oo),gg,hh,ll,mm,pp,tt,uu

Manufacturer: Ames
Orientation: H
0.25% Pb: No
Renewed: 07-Jul-2015

Model: 4000CIV
Meters:
Spare Parts Only: No
Bypass:

Type: RP
Size: 4
Manual: 6
Approved: 19-Jun-2000
Shutoffs: (oo),gg,hh,ll,mm,pp,tt,uu,eee

Manufacturer: Ames
Orientation: H
0.25% Pb: No
Renewed: 19-Jun-2015

Model: 4000CIV
Meters:
Spare Parts Only: No
Bypass:

Type: RP
Size: 6
Manual: 6
Approved: 19-Jun-2000
Shutoffs: (oo),gg,hh,ll,mm,pp,tt,uu,eee

Manufacturer: Ames
Orientation: H
0.25% Pb: No
Renewed: 19-Jun-2015

Model: 4000CIV
Meters:
Spare Parts Only: No
Bypass:

Type: RP
Size: 8
Manual: 8
Approved: 19-Jun-2000
Shutoffs: (oo),gg,hh,ll,mm,pp,tt,uu

Manufacturer: Ames
Orientation: H
0.25% Pb: No
Renewed: 19-Jun-2015

Model: 4000CIV
Meters:
Spare Parts Only: No
Bypass:

Type: RP **Manufacturer:** Ames **Model:** 4000CIV
Size: 10 **Orientation:** H **Meters:**
Manual: 8 **0.25% Pb:** No **Spare Parts Only:** No
Approved: 19-Jun-2000 **Renewed:** 19-Jun-2015 **Bypass:**
Shutoffs: (oo),gg,hh,ll,mm,pp,tt,uu

Type: RP **Manufacturer:** Ames **Model:** 4000RP
Size: 4 **Orientation:** H **Meters:**
Manual: 7 **0.25% Pb:** No **Spare Parts Only:** No
Approved: 13-Oct-1987 **Renewed:** 13-Oct-2014 **Bypass:**
Shutoffs: (tt),ee,ff,gg,hh,ll,mm,oo,pp,uu,ccc,ddd,ffff,gggg
Notes: formerly Model RP

Type: RP **Manufacturer:** Ames **Model:** 4000RP
Size: 6 **Orientation:** H **Meters:**
Manual: 7 **0.25% Pb:** No **Spare Parts Only:** No
Approved: 13-Oct-1987 **Renewed:** 13-Oct-2014 **Bypass:**
Shutoffs: (tt),ee,ff,gg,hh,ll,mm,oo,pp,uu,ccc,ddd,ffff,gggg
Notes: formerly Model RP

Type: RP **Manufacturer:** Ames **Model:** 4000RP
Size: 8 **Orientation:** H **Meters:**
Manual: 7 **0.25% Pb:** No **Spare Parts Only:** No
Approved: 13-Oct-1987 **Renewed:** 13-Oct-2014 **Bypass:**
Shutoffs: (tt),ee,ff,gg,hh,ll,mm,oo,pp,uu,ccc,ddd,ffff,gggg
Notes: formerly Model RP

Type: RP **Manufacturer:** Ames **Model:** 4000RP
Size: 10 **Orientation:** H **Meters:**
Manual: 7 **0.25% Pb:** No **Spare Parts Only:** No
Approved: 13-Oct-1987 **Renewed:** 13-Oct-2014 **Bypass:**
Shutoffs: (tt),ee,ff,gg,hh,ll,mm,oo,pp,uu,ccc,ddd,ffff,gggg
Notes: formerly Model RP

Type: RP **Manufacturer:** Ames **Model:** 4000SS
Size: 2 1/2 **Orientation:** H **Meters:**
Manual: 8 **0.25% Pb:** No **Spare Parts Only:** No
Approved: 15-Apr-1994 **Renewed:** 15-Apr-2015 **Bypass:**
Shutoffs: (tt),ee,ff,gg,hh,pp,uu,ccc,ddd

Type: RP **Manufacturer:** Ames **Model:** 4000SS
Size: 2 1/2 **Orientation:** H **Meters:**
Manual: 8 **0.25% Pb:** Yes **Spare Parts Only:** No
Approved: 15-Apr-1994 **Renewed:** 15-Apr-2015 **Bypass:**
Shutoffs: ll,mm,oo,ffff,gggg

Type: RP **Manufacturer:** Ames **Model:** 4000SS
Size: 3 **Orientation:** H **Meters:**
Manual: 8 **0.25% Pb:** No **Spare Parts Only:** No
Approved: 15-Apr-1994 **Renewed:** 15-Apr-2015 **Bypass:**
Shutoffs: (tt),ee,ff,gg,hh,pp,uu,ccc,ddd

Type: RP **Manufacturer:** Ames **Model:** 4000SS
Size: 3 **Orientation:** H **Meters:**
Manual: 8 **0.25% Pb:** Yes **Spare Parts Only:** No
Approved: 15-Apr-1994 **Renewed:** 15-Apr-2015 **Bypass:**
Shutoffs: ll,mm,oo,ffff,gggg

Type: RP **Manufacturer:** Ames **Model:** 4000SS
Size: 4 **Orientation:** H **Meters:**
Manual: 8 **0.25% Pb:** No **Spare Parts Only:** No
Approved: 15-Apr-1994 **Renewed:** 15-Apr-2015 **Bypass:**
Shutoffs: (tt),ee,ff,gg,hh,pp,uu,ccc,ddd

Type: RP **Manufacturer:** Ames **Model:** 4000SS
Size: 4 **Orientation:** H **Meters:**
Manual: 8 **0.25% Pb:** Yes **Spare Parts Only:** No
Approved: 15-Apr-1994 **Renewed:** 15-Apr-2015 **Bypass:**
Shutoffs: ll,mm,oo,ffff,gggg

Type: RP **Manufacturer:** Ames **Model:** 4000SS
Size: 6 **Orientation:** H **Meters:**
Manual: 8 **0.25% Pb:** No **Spare Parts Only:** No
Approved: 22-Sep-1997 **Renewed:** 22-Sep-2015 **Bypass:**
Shutoffs: (tt),ee,ff,gg,hh,pp,uu,ccc,ddd

Type: RP **Manufacturer:** Ames **Model:** 4000SS
Size: 6 **Orientation:** H **Meters:**
Manual: 8 **0.25% Pb:** Yes **Spare Parts Only:** No
Approved: 22-Sep-1997 **Renewed:** 22-Sep-2015 **Bypass:**
Shutoffs: ll,mm,oo,ffff,gggg

Type: RP **Manufacturer:** Ames **Model:** 400B
Size: 3/4 **Orientation:** H **Meters:**
Manual: 9 **0.25% Pb:** No **Spare Parts Only:** No
Approved: 20-Jun-2006 **Renewed:** 20-Jun-2015 **Bypass:**
Shutoffs: (vv),xx,ooo,hhhh,pppp,rrrrr

Type: RP **Manufacturer:** Ames **Model:** 400B
Size: 3/4 **Orientation:** VD **Meters:**
Manual: 9 **0.25% Pb:** No **Spare Parts Only:** No
Approved: 30-Aug-2006 **Renewed:** 30-Aug-2015 **Bypass:**
Shutoffs: (vv),xx,ooo,hhhh,pppp,rrrrr

Type: RP **Manufacturer:** Ames **Model:** 400B
Size: 1 **Orientation:** H **Meters:**
Manual: 9 **0.25% Pb:** No **Spare Parts Only:** No
Approved: 20-Jun-2006 **Renewed:** 20-Jun-2015 **Bypass:**
Shutoffs: (vv),xx,ooo,hhhh,pppp,rrrrr

Type: RP **Manufacturer:** Ames **Model:** 400B
Size: 1 **Orientation:** VD **Meters:**
Manual: 9 **0.25% Pb:** No **Spare Parts Only:** No
Approved: 30-Aug-2006 **Renewed:** 30-Aug-2015 **Bypass:**
Shutoffs: (vv),xx,ooo,hhhh,pppp,rrrrr

Type: RP **Manufacturer:** Ames **Model:** 400B
Size: 1 1/4 **Orientation:** H **Meters:**
Manual: 9 **0.25% Pb:** No **Spare Parts Only:** No
Approved: 20-Jun-2006 **Renewed:** 20-Jun-2015 **Bypass:**
Shutoffs: (vv),xx,ooo,hhhh,pppp,rrrrr

Type: RP **Manufacturer:** Ames **Model:** 400B
Size: 1 1/4 **Orientation:** VD **Meters:**
Manual: 9 **0.25% Pb:** No **Spare Parts Only:** No
Approved: 30-Aug-2006 **Renewed:** 30-Aug-2015 **Bypass:**
Shutoffs: (vv),xx,ooo,hhhh,pppp,rrrrr

Type: RP **Manufacturer:** Ames **Model:** 400B
Size: 1 1/2 **Orientation:** H **Meters:**
Manual: 9 **0.25% Pb:** No **Spare Parts Only:** No
Approved: 20-Jun-2006 **Renewed:** 20-Jun-2015 **Bypass:**
Shutoffs: (vv),xx,ooo,hhhh,pppp,rrrrr

Type: RP
Size: 1 1/2
Manual: 9
Approved: 30-Aug-2006
Shutoffs: (vv),xx,ooo,hhhh,pppp,rrrr

Manufacturer: Ames
Orientation: VD
0.25% Pb: No
Renewed: 30-Aug-2015

Model: 400B
Meters:
Spare Parts Only: No
Bypass:

Type: RP
Size: 2
Manual: 9
Approved: 20-Jun-2006
Shutoffs: (vv),xx,ooo,hhhh,pppp,rrrr

Manufacturer: Ames
Orientation: H
0.25% Pb: No
Renewed: 20-Jun-2015

Model: 400B
Meters:
Spare Parts Only: No
Bypass:

Type: RP
Size: 2
Manual: 9
Approved: 30-Aug-2006
Shutoffs: (vv),xx,ooo,hhhh,pppp,rrrr

Manufacturer: Ames
Orientation: VD
0.25% Pb: No
Renewed: 30-Aug-2015

Model: 400B
Meters:
Spare Parts Only: No
Bypass:

Type: RP
Size: 3/4
Manual: 9
Approved: 20-Jun-2006
Shutoffs: (vv),xx,ooo,hhhh,pppp,rrrr

Manufacturer: Ames
Orientation: VUVD
0.25% Pb: No
Renewed: 20-Jun-2015

Model: 400B-A
Meters:
Spare Parts Only: No
Bypass:

Type: RP
Size: 1
Manual: 9
Approved: 20-Jun-2006
Shutoffs: (vv),xx,ooo,hhhh,pppp,rrrr

Manufacturer: Ames
Orientation: VUVD
0.25% Pb: No
Renewed: 20-Jun-2015

Model: 400B-A
Meters:
Spare Parts Only: No
Bypass:

Type: RP
Size: 1 1/4
Manual: 9
Approved: 05-Sep-2006
Shutoffs: (vv),xx,ooo,hhhh,pppp,rrrr

Manufacturer: Ames
Orientation: VUVD
0.25% Pb: No
Renewed: 05-Sep-2015

Model: 400B-A
Meters:
Spare Parts Only: No
Bypass:

Type: RP
Size: 1 1/2
Manual: 9
Approved: 20-Jun-2006
Shutoffs: (vv),xx,ooo,hhhh,pppp,rrrr

Manufacturer: Ames
Orientation: VUVD
0.25% Pb: No
Renewed: 20-Jun-2015

Model: 400B-A
Meters:
Spare Parts Only: No
Bypass:

Type: RP
Size: 2
Manual: 9
Approved: 20-Jun-2006
Shutoffs: (vv),xx,ooo,hhhh,pppp,rrrr

Manufacturer: Ames
Orientation: VUVD
0.25% Pb: No
Renewed: 20-Jun-2015

Model: 400B-A
Meters:
Spare Parts Only: No
Bypass:

Type: RP
Size: 3/4
Manual: 9
Approved: 20-Jun-2006
Shutoffs: (vv),xx,ooo,hhhh,pppp,rrrr

Manufacturer: Ames
Orientation: VUVU
0.25% Pb: No
Renewed: 20-Jun-2015

Model: 400B-Z
Meters:
Spare Parts Only: No
Bypass:

Type: RP
Size: 1
Manual: 9
Approved: 20-Jun-2006
Shutoffs: (vv),xx,ooo,hhhh,pppp,rrrr

Manufacturer: Ames
Orientation: VUVU
0.25% Pb: No
Renewed: 20-Jun-2015

Model: 400B-Z
Meters:
Spare Parts Only: No
Bypass:

Type: RP
Size: 1 1/4
Manual: 9
Approved: 20-Jun-2006
Shutoffs: (vv),xx,ooo,hhhh,pppp,rrrr

Manufacturer: Ames
Orientation: VUVU
0.25% Pb: No
Renewed: 20-Jun-2015

Model: 400B-Z
Meters:
Spare Parts Only: No
Bypass:

Type: RP
Size: 1 1/2
Manual: 9
Approved: 20-Jun-2006
Shutoffs: (vv),xx,ooo,hhhh,pppp,rrrr

Manufacturer: Ames
Orientation: VUVU
0.25% Pb: No
Renewed: 20-Jun-2015

Model: 400B-Z
Meters:
Spare Parts Only: No
Bypass:

Type: RP
Size: 2
Manual: 9
Approved: 20-Jun-2006
Shutoffs: (vv),xx,ooo,hhhh,pppp,rrrr

Manufacturer: Ames
Orientation: VUVU
0.25% Pb: No
Renewed: 20-Jun-2015

Model: 400B-Z
Meters:
Spare Parts Only: No
Bypass:

Type: RP **Manufacturer:** Ames **Model:** Colt 400
Size: 2 1/2 **Orientation:** H **Meters:**
Manual: 9 **0.25% Pb:** No **Spare Parts Only:** No
Approved: 07-Oct-2002 **Renewed:** 07-Oct-2014 **Bypass:**
Shutoffs: (ppp),qqq,aaaa,bbbb,nnnn
Notes: Check valve discs may be black EPDM or orange Silicone

Type: RP **Manufacturer:** Ames **Model:** Colt 400
Size: 2 1/2 **Orientation:** H **Meters:**
Manual: 9 **0.25% Pb:** Yes **Spare Parts Only:** No
Approved: 07-Oct-2002 **Renewed:** 07-Oct-2014 **Bypass:**
Shutoffs: zzz,dddd,eeee,gggg,kkkk,llll,mmmm,nnnn
Notes: Check valve discs may be black EPDM or orange Silicone

Type: RP **Manufacturer:** Ames **Model:** Colt 400
Size: 3 **Orientation:** H **Meters:**
Manual: 9 **0.25% Pb:** No **Spare Parts Only:** No
Approved: 07-Oct-2002 **Renewed:** 07-Oct-2014 **Bypass:**
Shutoffs: (ppp),qqq,aaaa,bbbb,nnnn
Notes: Check valve discs may be black EPDM or orange Silicone

Type: RP **Manufacturer:** Ames **Model:** Colt 400
Size: 3 **Orientation:** H **Meters:**
Manual: 9 **0.25% Pb:** Yes **Spare Parts Only:** No
Approved: 07-Oct-2002 **Renewed:** 07-Oct-2014 **Bypass:**
Shutoffs: zzz,dddd,eeee,gggg,kkkk,llll,mmmm,nnnn
Notes: Check valve discs may be black EPDM or orange Silicone

Type: RP **Manufacturer:** Ames **Model:** Colt 400
Size: 4 **Orientation:** H **Meters:**
Manual: 9 **0.25% Pb:** No **Spare Parts Only:** No
Approved: 07-Oct-2002 **Renewed:** 07-Oct-2014 **Bypass:**
Shutoffs: (ppp),qqq,aaaa,bbbb,nnnn
Notes: Check valve discs may be black EPDM or orange Silicone

Type: RP **Manufacturer:** Ames **Model:** Colt 400
Size: 4 **Orientation:** H **Meters:**
Manual: 9 **0.25% Pb:** Yes **Spare Parts Only:** No
Approved: 07-Oct-2002 **Renewed:** 07-Oct-2014 **Bypass:**
Shutoffs: zzz,dddd,eeee,gggg,kkkk,llll,mmmm,nnnn
Notes: Check valve discs may be black EPDM or orange Silicone

Type: RP **Manufacturer:** Ames **Model:** Colt 400
Size: 6 **Orientation:** H **Meters:**
Manual: 9 **0.25% Pb:** No **Spare Parts Only:** No
Approved: 29-Sep-2004 **Renewed:** 29-Sep-2013 **Bypass:**
Shutoffs: (ppp),qqq,aaaa,bbbb,nnnn

Type: RP **Manufacturer:** Ames **Model:** Colt 400
Size: 6 **Orientation:** H **Meters:**
Manual: 9 **0.25% Pb:** Yes **Spare Parts Only:** No
Approved: 29-Sep-2004 **Renewed:** 29-Sep-2013 **Bypass:**
Shutoffs: zzz,dddd,eeee,gggg,kkkk,llll,mmmm,nnnn

Type: RP **Manufacturer:** Ames **Model:** Colt 400
Size: 8 **Orientation:** H **Meters:**
Manual: 9 **0.25% Pb:** No **Spare Parts Only:** No
Approved: 13-Aug-2007 **Renewed:** 13-Aug-2013 **Bypass:**
Shutoffs: (ppp),qqq,aaaa,bbbb,nnnn

Type: RP **Manufacturer:** Ames **Model:** Colt 400
Size: 8 **Orientation:** H **Meters:**
Manual: 9 **0.25% Pb:** Yes **Spare Parts Only:** No
Approved: 13-Aug-2007 **Renewed:** 13-Aug-2013 **Bypass:**
Shutoffs: zzz,dddd,eeee,gggg,kkkk,llll,mmmm,nnnn

Type: RP **Manufacturer:** Ames **Model:** Colt 400
Size: 10 **Orientation:** H **Meters:**
Manual: 9 **0.25% Pb:** No **Spare Parts Only:** No
Approved: 22-Jul-2009 **Renewed:** 22-Jul-2015 **Bypass:**
Shutoffs: (ppp),qqq,sss,ttt,aaaa,bbbb,nnnn

Type: RP **Manufacturer:** Ames **Model:** Colt 400
Size: 10 **Orientation:** H **Meters:**
Manual: 9 **0.25% Pb:** Yes **Spare Parts Only:** No
Approved: 22-Jul-2009 **Renewed:** 22-Jul-2015 **Bypass:**
Shutoffs: zzz,cccc,dddd,eeee,gggg,kkkk,llll,mmmm,nnnn

Type: RP	Manufacturer: Ames	Model: Colt 400BF
Size: 4	Orientation: H	Meters:
Manual: 9	0.25% Pb: Yes	Spare Parts Only: No
Approved: 17-Sep-2007	Renewed: 17-Sep-2013	Bypass:
Shutoffs: (yyy)		
Notes: Check valve discs may be black EPDM or orange Silicone		

Type: RP	Manufacturer: Ames	Model: Colt 400BF
Size: 6	Orientation: H	Meters:
Manual: 9	0.25% Pb: Yes	Spare Parts Only: No
Approved: 17-Sep-2007	Renewed: 17-Sep-2013	Bypass:
Shutoffs: (yyy)		

Type: RP	Manufacturer: Ames	Model: Colt 400N
Size: 2 1/2	Orientation: VUVD	Meters:
Manual: 9	0.25% Pb: No	Spare Parts Only: No
Approved: 14-Apr-2003	Renewed: 14-Apr-2015	Bypass:
Shutoffs: (ppp),qqq,aaaa,bbbb,nnnn		
Notes: Check valve discs may be black EPDM or orange Silicone		

Type: RP	Manufacturer: Ames	Model: Colt 400N
Size: 2 1/2	Orientation: VUVD	Meters:
Manual: 9	0.25% Pb: Yes	Spare Parts Only: No
Approved: 14-Apr-2003	Renewed: 14-Apr-2015	Bypass:
Shutoffs: yyy,zzz,dddd,eeee,gggg,kkkk,llll,mmmm,nnnn		
Notes: Check valve discs may be black EPDM or orange Silicone		

Type: RP	Manufacturer: Ames	Model: Colt 400N
Size: 3	Orientation: VUVD	Meters:
Manual: 9	0.25% Pb: No	Spare Parts Only: No
Approved: 14-Apr-2003	Renewed: 14-Apr-2015	Bypass:
Shutoffs: (ppp),qqq,aaaa,bbbb,nnnn		
Notes: Check valve discs may be black EPDM or orange Silicone		

Type: RP	Manufacturer: Ames	Model: Colt 400N
Size: 3	Orientation: VUVD	Meters:
Manual: 9	0.25% Pb: Yes	Spare Parts Only: No
Approved: 14-Apr-2003	Renewed: 14-Apr-2015	Bypass:
Shutoffs: yyy,zzz,dddd,eeee,gggg,kkkk,llll,mmmm,nnnn		
Notes: Check valve discs may be black EPDM or orange Silicone		

Type: RP **Manufacturer:** Ames **Model:** Colt 400N
Size: 4 **Orientation:** VUVD **Meters:**
Manual: 9 **0.25% Pb:** No **Spare Parts Only:** No
Approved: 14-Apr-2003 **Renewed:** 14-Apr-2015 **Bypass:**
Shutoffs: (ppp),qqq,aaaa,bbbb,nnnn
Notes: Check valve discs may be black EPDM or orange Silicone

Type: RP **Manufacturer:** Ames **Model:** Colt 400N
Size: 4 **Orientation:** VUVD **Meters:**
Manual: 9 **0.25% Pb:** Yes **Spare Parts Only:** No
Approved: 14-Apr-2003 **Renewed:** 14-Apr-2015 **Bypass:**
Shutoffs: yyy,zzz,dddd,eeee,gggg,kkkk,llll,mmmm,nnnn
Notes: Check valve discs may be black EPDM or orange Silicone

Type: RP **Manufacturer:** Ames **Model:** Colt 400N
Size: 6 **Orientation:** VUVD **Meters:**
Manual: 9 **0.25% Pb:** No **Spare Parts Only:** No
Approved: 15-Nov-2010 **Renewed:** 15-Nov-2013 **Bypass:**
Shutoffs: ppp,qqq,aaaa,bbbb,nnnn

Type: RP **Manufacturer:** Ames **Model:** Colt 400N
Size: 6 **Orientation:** VUVD **Meters:**
Manual: 9 **0.25% Pb:** Yes **Spare Parts Only:** No
Approved: 15-Nov-2010 **Renewed:** 15-Nov-2013 **Bypass:**
Shutoffs: zzz,dddd,eeee,gggg,kkkk,llll,mmmm,nnnn

Type: RP **Manufacturer:** Ames **Model:** Colt 400N
Size: 8 **Orientation:** VUVD **Meters:**
Manual: 9 **0.25% Pb:** Yes **Spare Parts Only:** No
Approved: 14-Jun-2013 **Renewed:** **Bypass:**
Shutoffs: (yyy), zzz, dddd, eeee, gggg, kkkk, llll, mmmm, nnnn

Type: RP **Manufacturer:** Ames **Model:** Colt 400Z
Size: 2 1/2 **Orientation:** VUVU **Meters:**
Manual: 9 **0.25% Pb:** No **Spare Parts Only:** No
Approved: 14-Apr-2003 **Renewed:** 14-Apr-2015 **Bypass:**
Shutoffs: (ppp),qqq,aaaa,bbbb,nnnn
Notes: Check valve discs may be black EPDM or orange Silicone

Type: RP **Manufacturer:** Ames **Model:** Colt 400Z
Size: 2 1/2 **Orientation:** VUVU **Meters:**
Manual: 9 **0.25% Pb:** Yes **Spare Parts Only:** No
Approved: 14-Apr-2003 **Renewed:** 14-Apr-2015 **Bypass:**
Shutoffs: yyy,zzz,dddd,eeee,gggg,kkkk,llll,mmmm,nnnn
Notes: Check valve discs may be black EPDM or orange Silicone

Type: RP **Manufacturer:** Ames **Model:** Colt 400Z
Size: 3 **Orientation:** VUVU **Meters:**
Manual: 9 **0.25% Pb:** No **Spare Parts Only:** No
Approved: 14-Apr-2003 **Renewed:** 14-Apr-2015 **Bypass:**
Shutoffs: (ppp),qqq,aaaa,bbbb,nnnn
Notes: Check valve discs may be black EPDM or orange Silicone

Type: RP **Manufacturer:** Ames **Model:** Colt 400Z
Size: 3 **Orientation:** VUVU **Meters:**
Manual: 9 **0.25% Pb:** Yes **Spare Parts Only:** No
Approved: 14-Apr-2003 **Renewed:** 14-Apr-2015 **Bypass:**
Shutoffs: yyy,zzz,dddd,eeee,gggg,kkkk,llll,mmmm,nnnn
Notes: Check valve discs may be black EPDM or orange Silicone

Type: RP **Manufacturer:** Ames **Model:** Colt 400Z
Size: 4 **Orientation:** VUVU **Meters:**
Manual: 9 **0.25% Pb:** No **Spare Parts Only:** No
Approved: 14-Apr-2003 **Renewed:** 14-Apr-2015 **Bypass:**
Shutoffs: (ppp),qqq,aaaa,bbbb,nnnn
Notes: Check valve discs may be black EPDM or orange Silicone

Type: RP **Manufacturer:** Ames **Model:** Colt 400Z
Size: 4 **Orientation:** VUVU **Meters:**
Manual: 9 **0.25% Pb:** Yes **Spare Parts Only:** No
Approved: 14-Apr-2003 **Renewed:** 14-Apr-2015 **Bypass:**
Shutoffs: yyy,zzz,dddd,eeee,gggg,kkkk,llll,mmmm,nnnn
Notes: Check valve discs may be black EPDM or orange Silicone

Type: RP **Manufacturer:** Ames **Model:** Colt 400Z
Size: 8 **Orientation:** VUVU **Meters:**
Manual: 9 **0.25% Pb:** No **Spare Parts Only:** No
Approved: 14-Jun-2013 **Renewed:**
Shutoffs: ppp, qq, aaaa, bbbb,

Type: RP **Manufacturer:** Ames **Model:** Colt 400Z
Size: 8 **Orientation:** VUVU **Meters:**
Manual: 9 **0.25% Pb:** Yes **Spare Parts Only:** No
Approved: 14-Jun-2013 **Renewed:** **Bypass:**
Shutoffs: (yyy), zzz, dddd, eeee, gggg, kkkk, llll, mmmm, nnnn

Type: RP **Manufacturer:** Ames **Model:** LF4000B
Size: 1/2 **Orientation:** H **Meters:**
Manual: 9 **0.25% Pb:** Yes **Spare Parts Only:** No
Approved: 25-Sep-2013 **Renewed:** **Bypass:**
Shutoffs: (hhhh)

Type: RP **Manufacturer:** Ames **Model:** LF4000BM2
Size: 1 **Orientation:** H **Meters:**
Manual: 9 **0.25% Pb:** Yes **Spare Parts Only:** No
Approved: 25-Sep-2013 **Renewed:** **Bypass:**
Shutoffs: (hhhh)

Type: RP **Manufacturer:** Ames **Model:** LF4000BM2
Size: 1 1/4 **Orientation:** H **Meters:**
Manual: 8 **0.25% Pb:** Yes **Spare Parts Only:** No
Approved: 25-Sep-2013 **Renewed:** **Bypass:**
Shutoffs: (hhhh)

Type: RP **Manufacturer:** Ames **Model:** LF4000BM2
Size: 1 1/2 **Orientation:** H **Meters:**
Manual: 8 **0.25% Pb:** Yes **Spare Parts Only:** No
Approved: 25-Sep-2013 **Renewed:** **Bypass:**
Shutoffs: (hhhh)

Type: RP **Manufacturer:** Ames **Model:** LF4000BM2
Size: 2 **Orientation:** H **Meters:**
Manual: 9 **0.25% Pb:** Yes **Spare Parts Only:** No
Approved: 25-Sep-2013 **Renewed:** **Bypass:**
Shutoffs: (hhhh)

Type: RP **Manufacturer:** Ames **Model:** LF4000BM3
Size: 3/4 **Orientation:** H **Meters:**
Manual: 9 **0.25% Pb:** Yes **Spare Parts Only:** No
Approved: 25-Sep-2013 **Renewed:** **Bypass:**
Shutoffs: (hhhh)

Type: RP **Manufacturer:** Ames **Model:** Maxim 400
Size: 2 1/2 **Orientation:** H **Meters:**
Manual: 9 **0.25% Pb:** No **Spare Parts Only:** No
Approved: 07-Oct-2002 **Renewed:** 07-Oct-2014 **Bypass:**
Shutoffs: (ppp),qqq,aaa,bbbb,nnnnn
Notes: Check valve discs may be black EPDM or orange Silicone

Type: RP **Manufacturer:** Ames **Model:** Maxim 400
Size: 2 1/2 **Orientation:** H **Meters:**
Manual: 9 **0.25% Pb:** Yes **Spare Parts Only:** No
Approved: 07-Oct-2002 **Renewed:** 07-Oct-2014 **Bypass:**
Shutoffs: zzz,dddd,eeee,gggg,kkkk,llll,mmmm,nnnn
Notes: Check valve discs may be black EPDM or orange Silicone

Type: RP **Manufacturer:** Ames **Model:** Maxim 400
Size: 3 **Orientation:** H **Meters:**
Manual: 9 **0.25% Pb:** No **Spare Parts Only:** No
Approved: 07-Oct-2002 **Renewed:** 07-Oct-2014 **Bypass:**
Shutoffs: (ppp),qqq,aaa,bbbb,nnnnn
Notes: Check valve discs may be black EPDM or orange Silicone

Type: RP **Manufacturer:** Ames **Model:** Maxim 400
Size: 3 **Orientation:** H **Meters:**
Manual: 9 **0.25% Pb:** Yes **Spare Parts Only:** No
Approved: 07-Oct-2002 **Renewed:** 07-Oct-2014 **Bypass:**
Shutoffs: zzz,dddd,eeee,gggg,kkkk,llll,mmmm,nnnn
Notes: Check valve discs may be black EPDM or orange Silicone

Type: RP **Manufacturer:** Ames **Model:** Maxim 400
Size: 4 **Orientation:** H **Meters:**
Manual: 9 **0.25% Pb:** No **Spare Parts Only:** No
Approved: 18-Jan-2005 **Renewed:** 18-Jan-2014 **Bypass:**
Shutoffs: (ppp),qqq,aaa,bbbb,nnnnn

Type: RP **Manufacturer:** Ames **Model:** Maxim 400
Size: 4 **Orientation:** H **Meters:**
Manual: 9 **0.25% Pb:** Yes **Spare Parts Only:** No
Approved: 18-Jan-2005 **Renewed:** 18-Jan-2014 **Bypass:**
Shutoffs: kkkk,llll,mmmm,nnnn

Type: RP **Manufacturer:** Ames **Model:** Maxim 400
Size: 6 **Orientation:** H **Meters:**
Manual: 9 **0.25% Pb:** No **Spare Parts Only:** No
Approved: 13-Aug-2007 **Renewed:** 13-Aug-2013 **Bypass:**
Shutoffs: (ppp),qqq,sss,ttt,aaaa,bbbb,nnnn

Type: RP **Manufacturer:** Ames **Model:** Maxim 400
Size: 6 **Orientation:** H **Meters:**
Manual: 9 **0.25% Pb:** Yes **Spare Parts Only:** No
Approved: 13-Aug-2007 **Renewed:** 13-Aug-2013 **Bypass:**
Shutoffs: cccc,dddd,kkkk,llll,mmmm,nnnn

Type: RP **Manufacturer:** Ames **Model:** Maxim 400
Size: 8 **Orientation:** H **Meters:**
Manual: 9 **0.25% Pb:** No **Spare Parts Only:** No
Approved: 22-Jul-2009 **Renewed:** 22-Jul-2015 **Bypass:**
Shutoffs: (ppp),qqq,sss,ttt,aaaa,bbbb,nnnn

Type: RP **Manufacturer:** Ames **Model:** Maxim 400
Size: 8 **Orientation:** H **Meters:**
Manual: 9 **0.25% Pb:** Yes **Spare Parts Only:** No
Approved: 22-Jul-2009 **Renewed:** 22-Jul-2015 **Bypass:**
Shutoffs: zzz,cccc,dddd,eeee,gggg,kkkk,llll,mmmm,nnnn

Type: RP **Manufacturer:** Ames **Model:** Maxim 400
Size: 10 **Orientation:** H **Meters:**
Manual: 9 **0.25% Pb:** No **Spare Parts Only:** No
Approved: 22-Jul-2009 **Renewed:** 22-Jul-2015 **Bypass:**
Shutoffs: (ppp),qqq,sss,ttt,aaaa,bbbb

Type: RP **Manufacturer:** Ames **Model:** Maxim 400
Size: 10 **Orientation:** H **Meters:**
Manual: 9 **0.25% Pb:** Yes **Spare Parts Only:** No
Approved: 22-Jul-2009 **Renewed:** 22-Jul-2015 **Bypass:**
Shutoffs: zzz,cccc,dddd,eeee,gggg,kkkk,llll,mmmm,nnnn

Type: RP **Manufacturer:** Ames **Model:** Maxim 400N
Size: 2 1/2 **Orientation:** VUVD **Meters:**
Manual: 9 **0.25% Pb:** No **Spare Parts Only:** No
Approved: 14-Apr-2003 **Renewed:** 14-Apr-2015 **Bypass:**
Shutoffs: (ppp),qqq,aaaa,bbbb,nnnn

Type: RP **Manufacturer:** Ames **Model:** Maxim 400N
Size: 2 1/2 **Orientation:** VUVD **Meters:**
Manual: 9 **0.25% Pb:** Yes **Spare Parts Only:** No
Approved: 14-Apr-2003 **Renewed:** 14-Apr-2015 **Bypass:**
Shutoffs: yyy,zzz,dddd,eeee,gggg,kkkk,llll,mmmm,nnnn

Type: RP **Manufacturer:** Ames **Model:** Maxim 400N
Size: 3 **Orientation:** VUVD **Meters:**
Manual: 9 **0.25% Pb:** No **Spare Parts Only:** No
Approved: 14-Apr-2003 **Renewed:** 14-Apr-2015 **Bypass:**
Shutoffs: (ppp),qqq,aaaa,bbbb,nnnn

Type: RP **Manufacturer:** Ames **Model:** Maxim 400N
Size: 3 **Orientation:** VUVD **Meters:**
Manual: 9 **0.25% Pb:** Yes **Spare Parts Only:** No
Approved: 14-Apr-2003 **Renewed:** 14-Apr-2015 **Bypass:**
Shutoffs: yyy,zzz,dddd,eeee,gggg,kkkk,llll,mmmm,nnnn

Type: RP **Manufacturer:** Ames **Model:** Maxim 400N
Size: 4 **Orientation:** VUVD **Meters:**
Manual: 9 **0.25% Pb:** No **Spare Parts Only:** No
Approved: 15-Nov-2010 **Renewed:** 15-Nov-2013 **Bypass:**
Shutoffs: ppp,qqq,aaaa,bbbb,nnnn

Type: RP **Manufacturer:** Ames **Model:** Maxim 400N
Size: 4 **Orientation:** VUVD **Meters:**
Manual: 9 **0.25% Pb:** Yes **Spare Parts Only:** No
Approved: 15-Nov-2010 **Renewed:** 15-Nov-2013 **Bypass:**
Shutoffs: yyy,zzz,dddd,eeee,gggg,kkkk,llll,mmmm,nnnn

Type: RP **Manufacturer:** Ames **Model:** Maxim 400N
Size: 6 **Orientation:** VUVD **Meters:**
Manual: 9 **0.25% Pb:** No **Spare Parts Only:** No
Approved: 14-Jun-2013 **Renewed:**
Shutoffs: ppp, qq, aaaa, bbbb,

Type: RP **Manufacturer:** Ames **Model:** Maxim 400N
Size: 6 **Orientation:** VUVD **Meters:**
Manual: 9 **0.25% Pb:** Yes **Spare Parts Only:** No
Approved: 14-Jun-2013 **Renewed:**
Shutoffs: (yyy), zzz, dddd, eeee, gggg, kkkk, llll, mmmm, nnnn

Type: RP
Size: 2 1/2
Manual: 9
Approved: 14-Apr-2003
Shutoffs: (ppp),qqq,aaaa,bbbb,nnnn

Manufacturer: Ames
Orientation: VUVU
0.25% Pb: No
Renewed: 14-Apr-2015

Model: Maxim 400Z
Meters:
Spare Parts Only: No
Bypass:

Type: RP
Size: 2 1/2
Manual: 9
Approved: 14-Apr-2003
Shutoffs: yyy,zzz,dddd,eeee,gggg,kkkk,llll,mmmm,nnnn

Manufacturer: Ames
Orientation: VUVU
0.25% Pb: Yes
Renewed: 14-Apr-2015

Model: Maxim 400Z
Meters:
Spare Parts Only: No
Bypass:

Type: RP
Size: 3
Manual: 9
Approved: 14-Apr-2003
Shutoffs: (ppp),qqq,aaaa,bbbb,nnnn

Manufacturer: Ames
Orientation: VUVU
0.25% Pb: No
Renewed: 14-Apr-2015

Model: Maxim 400Z
Meters:
Spare Parts Only: No
Bypass:

Type: RP
Size: 3
Manual: 9
Approved: 14-Apr-2003
Shutoffs: yyy,zzz,dddd,eeee,gggg,kkkk,llll,mmmm,nnnn

Manufacturer: Ames
Orientation: VUVU
0.25% Pb: Yes
Renewed: 14-Apr-2015

Model: Maxim 400Z
Meters:
Spare Parts Only: No
Bypass:

Type: RP
Size: 6
Manual: 9
Approved: 14-Jun-2013
Shutoffs: ppp, qq, aaaa, bbbb,

Manufacturer: Ames
Orientation: VUVU
0.25% Pb: No
Renewed:

Model: Maxim 400Z
Meters:
Spare Parts Only: No
Bypass:

Type: RP
Size: 6
Manual: 9
Approved: 14-Jun-2013
Shutoffs: (yyy), zzz, dddd, eeee, gggg, kkkk, llll, mmmm, nnnn

Manufacturer: Ames
Orientation: VUVU
0.25% Pb: Yes
Renewed:

Model: Maxim 400Z
Meters:
Spare Parts Only: No
Bypass:

Type: RP
Size: 4
Manual:
Approved:
Notes: model designation changed to 4000RP

Manufacturer: Ames
Orientation:
0.25% Pb: No
Renewed:

Model: RP
Meters:
Spare Parts Only: No
Bypass:

Type: RP **Manufacturer:** Ames **Model:** RP
Size: 6 **Orientation:** **Meters:**
Manual: **0.25% Pb:** No **Spare Parts Only:** No
Approved: **Renewed:** **Bypass:**
Notes: model designation changed to 4000RP

Type: RP **Manufacturer:** Ames **Model:** RP
Size: 8 **Orientation:** **Meters:**
Manual: **0.25% Pb:** No **Spare Parts Only:** No
Approved: **Renewed:** **Bypass:**
Notes: model designation changed to 4000RP

Type: RP **Manufacturer:** Ames **Model:** RP
Size: 10 **Orientation:** **Meters:**
Manual: **0.25% Pb:** No **Spare Parts Only:** No
Approved: **Renewed:** **Bypass:**
Notes: model designation changed to 4000RP

Type: RP **Manufacturer:** Ames **Model:** U400B
Size: 1 **Orientation:** H **Meters:**
Manual: 9 **0.25% Pb:** No **Spare Parts Only:** No
Approved: 20-Jun-2006 **Renewed:** 20-Jun-2015 **Bypass:**
Shutoffs: (vv),xx,ooo,hhhh,pppp

Type: RP **Manufacturer:** Ames **Model:** U400B
Size: 1 **Orientation:** VD **Meters:**
Manual: 9 **0.25% Pb:** No **Spare Parts Only:** No
Approved: 30-Aug-2006 **Renewed:** 30-Aug-2015 **Bypass:**
Shutoffs: (vv),xx,ooo,hhhh,pppp

Type: RP **Manufacturer:** Ames **Model:** U400B
Size: 1 1/4 **Orientation:** H **Meters:**
Manual: 9 **0.25% Pb:** No **Spare Parts Only:** No
Approved: 20-Jun-2006 **Renewed:** 20-Jun-2015 **Bypass:**
Shutoffs: (vv),xx,ooo,hhhh,pppp

Type: RP **Manufacturer:** Ames **Model:** U400B
Size: 1 1/4 **Orientation:** VD **Meters:**
Manual: 9 **0.25% Pb:** No **Spare Parts Only:** No
Approved: 30-Aug-2006 **Renewed:** 30-Aug-2015 **Bypass:**
Shutoffs: (vv),xx,ooo,hhhh,pppp

Type: RP	Manufacturer: Ames	Model: U400B
Size: 1 1/2	Orientation: H	Meters:
Manual: 9	0.25% Pb: No	Spare Parts Only: No
Approved: 20-Jun-2006	Renewed: 20-Jun-2015	Bypass:
Shutoffs: (vv),xx,ooo,hhhh,pppp		

Type: RP	Manufacturer: Ames	Model: U400B
Size: 1 1/2	Orientation: VD	Meters:
Manual: 9	0.25% Pb: No	Spare Parts Only: No
Approved: 30-Aug-2006	Renewed: 30-Aug-2015	Bypass:
Shutoffs: (vv),xx,ooo,hhhh,pppp		

Type: RP	Manufacturer: Ames	Model: U400B
Size: 2	Orientation: H	Meters:
Manual: 9	0.25% Pb: No	Spare Parts Only: No
Approved: 20-Jun-2006	Renewed: 20-Jun-2015	Bypass:
Shutoffs: (vv),xx,ooo,hhhh,pppp		

Type: RP	Manufacturer: Ames	Model: U400B
Size: 2	Orientation: VD	Meters:
Manual: 9	0.25% Pb: No	Spare Parts Only: No
Approved: 30-Aug-2006	Renewed: 30-Aug-2015	Bypass:
Shutoffs: (vv),xx,ooo,hhhh,pppp		

Type: RP	Manufacturer: Ames	Model: U400B-A
Size: 3/4	Orientation: VUVD	Meters:
Manual: 9	0.25% Pb: No	Spare Parts Only: No
Approved: 20-Jun-2006	Renewed: 20-Jun-2015	Bypass:
Shutoffs: (vv),xx,ooo,hhhh,pppp		

Type: RP	Manufacturer: Ames	Model: U400B-A
Size: 1	Orientation: VUVD	Meters:
Manual: 9	0.25% Pb: No	Spare Parts Only: No
Approved: 20-Jun-2006	Renewed: 20-Jun-2015	Bypass:
Shutoffs: (vv),xx,ooo,hhhh,pppp		

Type: RP	Manufacturer: Ames	Model: U400B-A
Size: 1 1/4	Orientation: VUVD	Meters:
Manual: 9	0.25% Pb: No	Spare Parts Only: No
Approved: 20-Jun-2006	Renewed: 20-Jun-2015	Bypass:
Shutoffs: (vv),xx,ooo,hhhh,pppp		

Type: RP **Manufacturer:** Ames **Model:** U400B-A
Size: 1 1/2 **Orientation:** VUVD **Meters:**
Manual: 9 **0.25% Pb:** No **Spare Parts Only:** No
Approved: 20-Jun-2006 **Renewed:** 20-Jun-2015 **Bypass:**
Shutoffs: (vv),xx,ooo,hhhh,pppp

Type: RP **Manufacturer:** Ames **Model:** U400B-A
Size: 2 **Orientation:** VUVD **Meters:**
Manual: 9 **0.25% Pb:** No **Spare Parts Only:** No
Approved: 20-Jun-2006 **Renewed:** 20-Jun-2015 **Bypass:**
Shutoffs: (vv),xx,ooo,hhhh,pppp

Type: RP **Manufacturer:** Apollo/Conbraco **Model:** 2020499T
Size: 3/4 **Orientation:**
Manual: **0.25% Pb:** No **Spare Parts Only:** No
Approved: **Renewed:** **Bypass:**
Notes: model designation changed to RP40

Type: RP **Manufacturer:** Apollo/Conbraco **Model:** 4020002
Size: 3 **Orientation:**
Manual: **0.25% Pb:** No **Spare Parts Only:** No
Approved: **Renewed:** **Bypass:**
Notes: model designation changed to RP40

Type: RP **Manufacturer:** Apollo/Conbraco **Model:** 4020003
Size: 3 **Orientation:**
Manual: **0.25% Pb:** No **Spare Parts Only:** No
Approved: **Renewed:** **Bypass:**
Notes: model designation changed to RP40

Type: RP **Manufacturer:** Apollo/Conbraco **Model:** 4020005
Size: 3 **Orientation:**
Manual: **0.25% Pb:** No **Spare Parts Only:** No
Approved: **Renewed:** **Bypass:**
Notes: model designation changed to RP40

Type: RP **Manufacturer:** Apollo/Conbraco **Model:** 4020102
Size: 1/4 **Orientation:** H **Meters:**
Manual: 8 **0.25% Pb:** No **Spare Parts Only:** Yes
Approved: 03-May-1991 **Renewed:** 03-May-2015 **Bypass:**
Shutoffs: dd

Type: RP **Manufacturer:** Apollo/Conbraco **Model:** 4020199T
Size: 1/4 **Orientation:** **Meters:**
Manual: **0.25% Pb:** No **Spare Parts Only:** No
Approved: **Renewed:** **Bypass:**
Notes: model designation changed to RP40

Type: RP **Manufacturer:** Apollo/Conbraco **Model:** 40201A2
Size: 1/4 **Orientation:** H **Meters:**
Manual: 8 **0.25% Pb:** No **Spare Parts Only:** Yes
Approved: 19-Apr-1996 **Renewed:** 19-Apr-2014 **Bypass:**
Shutoffs: dd

Type: RP **Manufacturer:** Apollo/Conbraco **Model:** 40201A2S
Size: 1/4 **Orientation:** **Meters:**
Manual: **0.25% Pb:** No **Spare Parts Only:** No
Approved: **Renewed:** **Bypass:**
Notes: model designation changed to RPS40

Type: RP **Manufacturer:** Apollo/Conbraco **Model:** 40201T2
Size: 1/4 **Orientation:** **Meters:**
Manual: **0.25% Pb:** No **Spare Parts Only:** No
Approved: **Renewed:** **Bypass:**
Notes: model designation changed to RP40

Type: RP **Manufacturer:** Apollo/Conbraco **Model:** 40201T2S
Size: 1/4 **Orientation:** **Meters:**
Manual: **0.25% Pb:** No **Spare Parts Only:** No
Approved: **Renewed:** **Bypass:**
Notes: model designation changed to RPS40

Type: RP **Manufacturer:** Apollo/Conbraco **Model:** 4020202
Size: 3/8 **Orientation:** H **Meters:**
Manual: 8 **0.25% Pb:** No **Spare Parts Only:** Yes
Approved: 03-May-1991 **Renewed:** 03-May-2015 **Bypass:**
Shutoffs: dd

Type: RP **Manufacturer:** Apollo/Conbraco **Model:** 4020299T
Size: 3/8 **Orientation:** **Meters:**
Manual: **0.25% Pb:** No **Spare Parts Only:** No
Approved: **Renewed:** **Bypass:**
Notes: model designation changed to RP40

Type: RP **Manufacturer:** Apollo/Conbraco **Model:** 40202A2
Size: 3/8 **Orientation:** H **Meters:**
Manual: 8 **0.25% Pb:** No **Spare Parts Only:** Yes
Approved: 19-Apr-1996 **Renewed:** 19-Apr-2014 **Bypass:**
Shutoffs: dd

Type: RP **Manufacturer:** Apollo/Conbraco **Model:** 40202A2S
Size: 3/8 **Orientation:** **Meters:**
Manual: **0.25% Pb:** No **Spare Parts Only:** No
Approved: **Renewed:** **Bypass:**
Notes: model designation changed to RPS40

Type: RP **Manufacturer:** Apollo/Conbraco **Model:** 40202T2
Size: 3/8 **Orientation:** **Meters:**
Manual: **0.25% Pb:** No **Spare Parts Only:** No
Approved: **Renewed:** **Bypass:**
Notes: model designation changed to RP40

Type: RP **Manufacturer:** Apollo/Conbraco **Model:** 40202T2S
Size: 3/8 **Orientation:** **Meters:**
Manual: **0.25% Pb:** No **Spare Parts Only:** No
Approved: **Renewed:** **Bypass:**
Notes: model designation changed to RPS40

Type: RP **Manufacturer:** Apollo/Conbraco **Model:** 4020302
Size: 1/2 **Orientation:** H **Meters:**
Manual: 8 **0.25% Pb:** No **Spare Parts Only:** Yes
Approved: 03-May-1991 **Renewed:** 03-May-2014 **Bypass:**
Shutoffs: dd

Type: RP **Manufacturer:** Apollo/Conbraco **Model:** 4020399T
Size: 1/2 **Orientation:** **Meters:**
Manual: **0.25% Pb:** No **Spare Parts Only:** No
Approved: **Renewed:** **Bypass:**
Notes: model designation changed to RP40

Type: RP **Manufacturer:** Apollo/Conbraco **Model:** 40203A2
Size: 1/2 **Orientation:** H **Meters:**
Manual: 8 **0.25% Pb:** No **Spare Parts Only:** Yes
Approved: 19-Apr-1996 **Renewed:** 19-Apr-2014 **Bypass:**
Shutoffs: dd

Type: RP **Manufacturer:** Apollo/Conbraco **Model:** 40203A2S
Size: 1/2 **Orientation:** **Meters:**
Manual: **0.25% Pb:** No **Spare Parts Only:** No
Approved: **Renewed:** **Bypass:**
Notes: model designation changed to RPS40

Type: RP **Manufacturer:** Apollo/Conbraco **Model:** 40203T2
Size: 1/2 **Orientation:** **Meters:**
Manual: **0.25% Pb:** No **Spare Parts Only:** No
Approved: **Renewed:** **Bypass:**
Notes: model designation changed to RP40

Type: RP **Manufacturer:** Apollo/Conbraco **Model:** 40203T2S
Size: 1/2 **Orientation:** **Meters:**
Manual: **0.25% Pb:** No **Spare Parts Only:** No
Approved: **Renewed:** **Bypass:**
Notes: model designation changed to RPS40

Type: RP **Manufacturer:** Apollo/Conbraco **Model:** 4020402
Size: 3/4 **Orientation:** H **Meters:**
Manual: 8 **0.25% Pb:** No **Spare Parts Only:** Yes
Approved: 08-May-1989 **Renewed:** 08-May-2013 **Bypass:**
Shutoffs: dd

Type: RP **Manufacturer:** Apollo/Conbraco **Model:** 40204A2
Size: 3/4 **Orientation:** H **Meters:**
Manual: 8 **0.25% Pb:** No **Spare Parts Only:** Yes
Approved: 27-Nov-1991 **Renewed:** 27-Nov-2012 **Bypass:**
Shutoffs: dd

Type: RP **Manufacturer:** Apollo/Conbraco **Model:** 40204A2S
Size: 3/4 **Orientation:** **Meters:**
Manual: **0.25% Pb:** No **Spare Parts Only:** No
Approved: **Renewed:** **Bypass:**
Notes: model designation changed to RPS40

Type: RP **Manufacturer:** Apollo/Conbraco **Model:** 40204A2U
Size: 3/4 **Orientation:** **Meters:**
Manual: **0.25% Pb:** No **Spare Parts Only:** No
Approved: **Renewed:** **Bypass:**
Notes: model designation changed to RP40N

Type: RP **Manufacturer:** Apollo/Conbraco **Model:** 40204A2Z
Size: 3/4 **Orientation:** **Meters:**
Manual: **0.25% Pb:** No **Spare Parts Only:** No
Approved: **Renewed:** **Bypass:**
Notes: model designation changed to RP40Z

Type: RP **Manufacturer:** Apollo/Conbraco **Model:** 40204T2
Size: 3/4 **Orientation:** **Meters:**
Manual: **0.25% Pb:** No **Spare Parts Only:** No
Approved: **Renewed:** **Bypass:**
Notes: model designation changed to RP40

Type: RP **Manufacturer:** Apollo/Conbraco **Model:** 40204TC2
Size: 3/4 **Orientation:** **Meters:**
Manual: **0.25% Pb:** No **Spare Parts Only:** No
Approved: **Renewed:** **Bypass:**
Notes: model designation changed to RP40

Type: RP **Manufacturer:** Apollo/Conbraco **Model:** 40204TCU
Size: 3/4 **Orientation:** VUVD **Meters:**
Manual: 8 **0.25% Pb:** No **Spare Parts Only:** No
Approved: 30-Nov-1998 **Renewed:** 22-Nov-2013 **Bypass:**
Shutoffs: (dd)

Type: RP **Manufacturer:** Apollo/Conbraco **Model:** 4020502
Size: 1 **Orientation:** H **Meters:**
Manual: 8 **0.25% Pb:** No **Spare Parts Only:** Yes
Approved: 08-May-1989 **Renewed:** 08-May-2013 **Bypass:**
Shutoffs: dd

Type: RP **Manufacturer:** Apollo/Conbraco **Model:** 4020599T
Size: 1 **Orientation:** **Meters:**
Manual: **0.25% Pb:** No **Spare Parts Only:** No
Approved: **Renewed:** **Bypass:**
Notes: model designation changed to RP40

Type: RP **Manufacturer:** Apollo/Conbraco **Model:** 40205A2
Size: 1 **Orientation:** H **Meters:**
Manual: 8 **0.25% Pb:** No **Spare Parts Only:** Yes
Approved: 27-Nov-1991 **Renewed:** 27-Nov-2012 **Bypass:**
Shutoffs: dd

Type: RP **Manufacturer:** Apollo/Conbraco **Model:** 40205A2S
Size: 1 **Orientation:** **Meters:**
Manual: **0.25% Pb:** No **Spare Parts Only:** No
Approved: **Renewed:** **Bypass:**
Notes: model designation changed to 40205T2S

Type: RP **Manufacturer:** Apollo/Conbraco **Model:** 40205A2U
Size: 1 **Orientation:** **Meters:**
Manual: **0.25% Pb:** No **Spare Parts Only:** No
Approved: **Renewed:** **Bypass:**
Notes: model designation changed to 40205T2U

Type: RP **Manufacturer:** Apollo/Conbraco **Model:** 40205A2Z
Size: 1 **Orientation:** **Meters:**
Manual: **0.25% Pb:** No **Spare Parts Only:** No
Approved: **Renewed:** **Bypass:**
Notes: model designation changed to 40205T2Z

Type: RP **Manufacturer:** Apollo/Conbraco **Model:** 40205T2
Size: 1 **Orientation:** **Meters:**
Manual: **0.25% Pb:** No **Spare Parts Only:** No
Approved: **Renewed:** **Bypass:**
Notes: model designation changed to RP40

Type: RP **Manufacturer:** Apollo/Conbraco **Model:** 40205T2S
Size: 1 **Orientation:** H **Meters:**
Manual: 8 **0.25% Pb:** No **Spare Parts Only:** No
Approved: 16-Aug-1994 **Renewed:** 16-Aug-2015 **Bypass:**
Shutoffs: (uuu)
Notes: formerly 40205A2S

Type: RP **Manufacturer:** Apollo/Conbraco **Model:** 40205T2U
Size: 1 **Orientation:** VUVD **Meters:**
Manual: 8 **0.25% Pb:** No **Spare Parts Only:** No
Approved: 15-Sep-1993 **Renewed:** 15-Sep-2014 **Bypass:**
Shutoffs: (dd)
Notes: formerly 40205A2U

Type: RP
Size: 1
Manual: 8
Approved: 15-Sep-1993
Shutoffs: (dd)
Notes: formerly 40205A2Z

Manufacturer: Apollo/Conbraco
Orientation: VUVU
0.25% Pb: No
Renewed: 15-Sep-2014

Model: 40205T2Z
Meters:
Spare Parts Only: No
Bypass:

Type: RP
Size: 1
Manual:
Approved:
Notes: model designation changed to RP40

Manufacturer: Apollo/Conbraco
Orientation:
0.25% Pb: No
Renewed:

Model: 40205TC2
Meters:
Spare Parts Only: No
Bypass:

Type: RP
Size: 1
Manual: 8
Approved: 30-Nov-1998
Shutoffs: (dd)

Manufacturer: Apollo/Conbraco
Orientation: VUVD
0.25% Pb: No
Renewed: 22-Nov-2013

Model: 40205TCU
Meters:
Spare Parts Only: No
Bypass:

Type: RP
Size: 1 1/4
Manual: 8
Approved: 06-Apr-1992
Shutoffs: dd

Manufacturer: Apollo/Conbraco
Orientation: H
0.25% Pb: No
Renewed: 06-Apr-2013

Model: 4020602
Meters:
Spare Parts Only: Yes
Bypass:

Type: RP
Size: 1 1/4
Manual:
Approved:
Notes: model designation changed to RP40

Manufacturer: Apollo/Conbraco
Orientation:
0.25% Pb: No
Renewed:

Model: 4020699T
Meters:
Spare Parts Only: No
Bypass:

Type: RP
Size: 1 1/4
Manual: 8
Approved: 21-Jun-1993
Shutoffs: dd

Manufacturer: Apollo/Conbraco
Orientation: H
0.25% Pb: No
Renewed: 21-Jun-2014

Model: 40206A2
Meters:
Spare Parts Only: Yes
Bypass:

Type: RP	Manufacturer: Apollo/Conbraco	Model: 40206A2U
Size: 1 1/4	Orientation:	Meters:
Manual:	0.25% Pb: No	Spare Parts Only: No
Approved:	Renewed:	Bypass:
Notes: model designation changed to RP40N		

Type: RP	Manufacturer: Apollo/Conbraco	Model: 40206A2Z
Size: 1 1/4	Orientation:	Meters:
Manual:	0.25% Pb: No	Spare Parts Only: No
Approved:	Renewed:	Bypass:
Notes: model designation changed to RP40Z		

Type: RP	Manufacturer: Apollo/Conbraco	Model: 40206T2
Size: 1 1/4	Orientation:	Meters:
Manual:	0.25% Pb: No	Spare Parts Only: No
Approved:	Renewed:	Bypass:
Notes: model designation changed to RP40		

Type: RP	Manufacturer: Apollo/Conbraco	Model: 40206T2U
Size: 1 1/4	Orientation:	Meters:
Manual:	0.25% Pb: No	Spare Parts Only: No
Approved:	Renewed:	Bypass:
Notes: model designation changed to RP40N		

Type: RP	Manufacturer: Apollo/Conbraco	Model: 40206T2Z
Size: 1 1/4	Orientation:	Meters:
Manual:	0.25% Pb: No	Spare Parts Only: No
Approved:	Renewed:	Bypass:
Notes: model designation changed to RP40Z		

Type: RP	Manufacturer: Apollo/Conbraco	Model: 4020702
Size: 1 1/2	Orientation: H	Meters:
Manual: 8	0.25% Pb: No	Spare Parts Only: Yes
Approved: 17-Mar-1989	Renewed: 17-Mar-2013	Bypass:
Shutoffs: dd		

Type: RP	Manufacturer: Apollo/Conbraco	Model: 4020799T
Size: 1 1/2	Orientation:	Meters:
Manual:	0.25% Pb: No	Spare Parts Only: No
Approved:	Renewed:	Bypass:
Notes: model designation changed to RP40		

Type: RP **Manufacturer:** Apollo/Conbraco **Model:** 40207A2
Size: 1 1/2 **Orientation:** H **Meters:**
Manual: 8 **0.25% Pb:** No **Spare Parts Only:** Yes
Approved: 16-Sep-1992 **Renewed:** 16-Sep-2013 **Bypass:**
Shutoffs: dd

Type: RP **Manufacturer:** Apollo/Conbraco **Model:** 40207A2U
Size: 1 1/2 **Orientation:** **Meters:**
Manual: **0.25% Pb:** No **Spare Parts Only:** No
Approved: **Renewed:** **Bypass:**
Notes: model designation changed to RP40U

Type: RP **Manufacturer:** Apollo/Conbraco **Model:** 40207A2Z
Size: 1 1/2 **Orientation:** **Meters:**
Manual: **0.25% Pb:** No **Spare Parts Only:** No
Approved: **Renewed:** **Bypass:**
Notes: model designation changed to RP40Z

Type: RP **Manufacturer:** Apollo/Conbraco **Model:** 40207T2
Size: 1 1/2 **Orientation:** **Meters:**
Manual: **0.25% Pb:** No **Spare Parts Only:** No
Approved: **Renewed:** **Bypass:**
Notes: model designation changed to RP40

Type: RP **Manufacturer:** Apollo/Conbraco **Model:** 40207T2U
Size: 1 1/2 **Orientation:** **Meters:**
Manual: **0.25% Pb:** No **Spare Parts Only:** No
Approved: **Renewed:** **Bypass:**
Notes: model designation changed to RP40U

Type: RP **Manufacturer:** Apollo/Conbraco **Model:** 40207T2Z
Size: 1 1/2 **Orientation:** **Meters:**
Manual: **0.25% Pb:** No **Spare Parts Only:** No
Approved: **Renewed:** **Bypass:**
Notes: model designation changed to RP40Z

Type: RP **Manufacturer:** Apollo/Conbraco **Model:** 4020802
Size: 2 **Orientation:** H **Meters:**
Manual: 8 **0.25% Pb:** No **Spare Parts Only:** Yes
Approved: 17-Mar-1989 **Renewed:** 17-Mar-2013 **Bypass:**
Shutoffs: dd

Type: RP **Manufacturer:** Apollo/Conbraco **Model:** 4020899T
Size: 2 **Orientation:** **Meters:**
Manual: **0.25% Pb:** No **Spare Parts Only:** No
Approved: **Renewed:** **Bypass:**
Notes: model designation changed to RP40

Type: RP **Manufacturer:** Apollo/Conbraco **Model:** 40208A2
Size: 2 **Orientation:** H **Meters:**
Manual: 8 **0.25% Pb:** No **Spare Parts Only:** Yes
Approved: 16-Sep-1992 **Renewed:** 16-Sep-2013 **Bypass:**
Shutoffs: dd

Type: RP **Manufacturer:** Apollo/Conbraco **Model:** 40208A2U
Size: 2 **Orientation:** **Meters:**
Manual: **0.25% Pb:** No **Spare Parts Only:** No
Approved: **Renewed:** **Bypass:**
Notes: model designation changed to RP40U

Type: RP **Manufacturer:** Apollo/Conbraco **Model:** 40208A4
Size: 2 **Orientation:** H **Meters:**
Manual: 8 **0.25% Pb:** No **Spare Parts Only:** Yes
Approved: 24-May-2000 **Renewed:** 24-May-2015 **Bypass:**
Shutoffs: rrr

Type: RP **Manufacturer:** Apollo/Conbraco **Model:** 40208AZ2
Size: 2 **Orientation:** **Meters:**
Manual: **0.25% Pb:** No **Spare Parts Only:** No
Approved: **Renewed:** **Bypass:**
Notes: model designation changed to RP40Z

Type: RP **Manufacturer:** Apollo/Conbraco **Model:** 40208T2
Size: 2 **Orientation:** **Meters:**
Manual: **0.25% Pb:** No **Spare Parts Only:** No
Approved: **Renewed:** **Bypass:**
Notes: model designation changed to RP40

Type: RP **Manufacturer:** Apollo/Conbraco **Model:** 40208T2U
Size: 2 **Orientation:** **Meters:**
Manual: **0.25% Pb:** No **Spare Parts Only:** No
Approved: **Renewed:** **Bypass:**
Notes: model designation changed to RP40U

Type: RP **Manufacturer:** Apollo/Conbraco **Model:** 40208T2Z
Size: 2 **Orientation:** **Meters:**
Manual: **0.25% Pb:** No **Spare Parts Only:** No
Approved: **Renewed:** **Bypass:**
Notes: model designation changed to RP40Z

Type: RP **Manufacturer:** Apollo/Conbraco **Model:** 4020902
Size: 2 1/2 **Orientation:** **Meters:**
Manual: **0.25% Pb:** No **Spare Parts Only:** No
Approved: **Renewed:** **Bypass:**
Notes: model designation changed to RP40

Type: RP **Manufacturer:** Apollo/Conbraco **Model:** 4020903
Size: 2 1/2 **Orientation:** **Meters:**
Manual: **0.25% Pb:** No **Spare Parts Only:** No
Approved: **Renewed:** **Bypass:**
Notes: model designation changed to RP40

Type: RP **Manufacturer:** Apollo/Conbraco **Model:** 4020905
Size: 2 1/2 **Orientation:** **Meters:**
Manual: **0.25% Pb:** No **Spare Parts Only:** No
Approved: **Renewed:** **Bypass:**
Notes: model designation changed to RP40

Type: RP **Manufacturer:** Apollo/Conbraco **Model:** 4020A02
Size: 4 **Orientation:** **Meters:**
Manual: **0.25% Pb:** No **Spare Parts Only:** No
Approved: **Renewed:** **Bypass:**
Notes: model designation changed to RP40

Type: RP **Manufacturer:** Apollo/Conbraco **Model:** 4020A03
Size: 4 **Orientation:** **Meters:**
Manual: **0.25% Pb:** No **Spare Parts Only:** No
Approved: **Renewed:** **Bypass:**
Notes: model designation changed to RP40

Type: RP **Manufacturer:** Apollo/Conbraco **Model:** 4020A05
Size: 4 **Orientation:** **Meters:**
Manual: **0.25% Pb:** No **Spare Parts Only:** No
Approved: **Renewed:** **Bypass:**
Notes: model designation changed to RP40

Type: RP **Manufacturer:** Apollo/Conbraco **Model:** 4020C02
Size: 6 **Orientation:** **Meters:**
Manual: **0.25% Pb:** No **Spare Parts Only:** No
Approved: **Renewed:** **Bypass:**
Notes: model designation changed to RP40

Type: RP **Manufacturer:** Apollo/Conbraco **Model:** 4020C03
Size: 6 **Orientation:** **Meters:**
Manual: **0.25% Pb:** No **Spare Parts Only:** No
Approved: **Renewed:** **Bypass:**
Notes: model designation changed to RP40

Type: RP **Manufacturer:** Apollo/Conbraco **Model:** 4020C05
Size: 6 **Orientation:** **Meters:**
Manual: **0.25% Pb:** No **Spare Parts Only:** No
Approved: **Renewed:** **Bypass:**
Notes: model designation changed to RP40

Type: RP **Manufacturer:** Apollo/Conbraco **Model:** 4020E02
Size: 8 **Orientation:** **Meters:**
Manual: **0.25% Pb:** No **Spare Parts Only:** No
Approved: **Renewed:** **Bypass:**
Notes: model designation changed to RP40

Type: RP **Manufacturer:** Apollo/Conbraco **Model:** 4020E03
Size: 8 **Orientation:** **Meters:**
Manual: **0.25% Pb:** No **Spare Parts Only:** No
Approved: **Renewed:** **Bypass:**
Notes: model designation changed to RP40

Type: RP **Manufacturer:** Apollo/Conbraco **Model:** 4020G02
Size: 10 **Orientation:** **Meters:**
Manual: **0.25% Pb:** No **Spare Parts Only:** No
Approved: **Renewed:** **Bypass:**
Notes: model designation changed to RP40

Type: RP **Manufacturer:** Apollo/Conbraco **Model:** 4020G03
Size: 10 **Orientation:** **Meters:**
Manual: **0.25% Pb:** No **Spare Parts Only:** No
Approved: **Renewed:** **Bypass:**
Notes: model designation changed to RP40

Type: RP
Size: 2 1/2
Manual: 9
Approved: 11-Mar-2009
Shutoffs: (yyy), cccc, dddd

Manufacturer: Apollo/Conbraco
Orientation: H
0.25% Pb: No
Renewed: 11-Mar-2015

Model: 4D-200
Meters:
Spare Parts Only: Yes
Bypass:

Type: RP
Size: 3
Manual: 9
Approved: 11-Mar-2009
Shutoffs: (yyy), cccc, dddd

Manufacturer: Apollo/Conbraco
Orientation: H
0.25% Pb: No
Renewed: 11-Mar-2015

Model: 4D-200
Meters:
Spare Parts Only: Yes
Bypass:

Type: RP
Size: 4
Manual: 9
Approved: 11-Mar-2009
Shutoffs: (yyy), cccc, dddd

Manufacturer: Apollo/Conbraco
Orientation: H
0.25% Pb: No
Renewed: 11-Mar-2015

Model: 4D-200
Meters:
Spare Parts Only: Yes
Bypass:

Type: RP
Size: 2 1/2
Manual: 9
Approved: 11-Mar-2009
Shutoffs: (yyy), cccc, dddd

Manufacturer: Apollo/Conbraco
Orientation: VUVD
0.25% Pb: No
Renewed: 11-Mar-2015

Model: 4D-200U
Meters:
Spare Parts Only: Yes
Bypass:

Type: RP
Size: 3
Manual: 9
Approved: 11-Mar-2009
Shutoffs: (yyy), cccc, dddd

Manufacturer: Apollo/Conbraco
Orientation: VUVD
0.25% Pb: No
Renewed: 11-Mar-2015

Model: 4D-200U
Meters:
Spare Parts Only: Yes
Bypass:

Type: RP
Size: 4
Manual: 9
Approved: 11-Mar-2009
Shutoffs: (yyy), cccc, dddd

Manufacturer: Apollo/Conbraco
Orientation: VUVD
0.25% Pb: No
Renewed: 11-Mar-2015

Model: 4D-200U
Meters:
Spare Parts Only: Yes
Bypass:

Type: RP	Manufacturer: Apollo/Conbraco	Model: RP40
Size: 1/4	Orientation: H	Meters:
Manual: 8	0.25% Pb: No	Spare Parts Only: No
Approved: 16-Sep-1998	Renewed: 16-Sep-2013	Bypass:
Shutoffs: (dd)		
Notes: formerly 4020199T, 40201T2		

Type: RP	Manufacturer: Apollo/Conbraco	Model: RP40
Size: 3/8	Orientation: H	Meters:
Manual: 8	0.25% Pb: No	Spare Parts Only: No
Approved: 16-Sep-1998	Renewed: 16-Sep-2013	Bypass:
Shutoffs: (dd)		
Notes: formerly 4020299T, 40202T2		

Type: RP	Manufacturer: Apollo/Conbraco	Model: RP40
Size: 1/2	Orientation: H	Meters:
Manual: 8	0.25% Pb: No	Spare Parts Only: No
Approved: 15-Sep-1994	Renewed: 15-Sep-2013	Bypass:
Shutoffs: (dd)		
Notes: formerly 4020399T, 40203T2		

Type: RP	Manufacturer: Apollo/Conbraco	Model: RP40
Size: 3/4	Orientation: H	Meters:
Manual: 8	0.25% Pb: No	Spare Parts Only: No
Approved: 16-Sep-1998	Renewed: 16-Sep-2013	Bypass:
Shutoffs: (dd)		
Notes: formerly 2020499T, 40204T2, 40204TC2		

Type: RP	Manufacturer: Apollo/Conbraco	Model: RP40
Size: 1	Orientation: H	Meters:
Manual: 8	0.25% Pb: No	Spare Parts Only: No
Approved: 16-Sep-1998	Renewed: 16-Sep-2013	Bypass:
Shutoffs: (dd)		
Notes: formerly 4020599T, 40205T2, 40205TC2		

Type: RP	Manufacturer: Apollo/Conbraco	Model: RP40
Size: 1 1/4	Orientation: H	Meters:
Manual: 8	0.25% Pb: No	Spare Parts Only: No
Approved: 16-Sep-1998	Renewed: 16-Sep-2013	Bypass:
Shutoffs: (dd)		
Notes: formerly 4020699T, 40206T2		

Type: RP **Manufacturer:** Apollo/Conbraco **Model:** RP40
Size: 1 1/2 **Orientation:** H **Meters:**
Manual: 8 **0.25% Pb:** No **Spare Parts Only:** No
Approved: 16-Sep-1998 **Renewed:** 16-Sep-2013 **Bypass:**
Shutoffs: (dd)
Notes: formerly 4020799T, 40207T2

Type: RP **Manufacturer:** Apollo/Conbraco **Model:** RP40
Size: 2 **Orientation:** H **Meters:**
Manual: 8 **0.25% Pb:** No **Spare Parts Only:** No
Approved: 16-Sep-1998 **Renewed:** 16-Sep-2013 **Bypass:**
Shutoffs: (dd)
Notes: formerly 4020899T, 40208T2

Type: RP **Manufacturer:** Apollo/Conbraco **Model:** RP40
Size: 2 1/2 **Orientation:** H **Meters:**
Manual: 8 **0.25% Pb:** No **Spare Parts Only:** No
Approved: 08-Apr-1991 **Renewed:** 08-Apr-2015 **Bypass:**
Shutoffs: (tt),bb,cc,ee,ll,mm,uu,mmm
Notes: formerly 4020902, 4020903, 4020905

Type: RP **Manufacturer:** Apollo/Conbraco **Model:** RP40
Size: 3 **Orientation:** H **Meters:**
Manual: 8 **0.25% Pb:** No **Spare Parts Only:** No
Approved: 08-Apr-1991 **Renewed:** 08-Apr-2015 **Bypass:**
Shutoffs: (tt),bb,cc,ee,ll,mm,uu,mmm
Notes: formerly 4020002, 4020003, 4020005

Type: RP **Manufacturer:** Apollo/Conbraco **Model:** RP40
Size: 4 **Orientation:** H **Meters:**
Manual: 8 **0.25% Pb:** No **Spare Parts Only:** No
Approved: 08-Apr-1991 **Renewed:** 08-Apr-2015 **Bypass:**
Shutoffs: (tt),bb,cc,ee,ll,mm,uu,mmm
Notes: formerly 4020A02, 4020A03, 4020A05

Type: RP **Manufacturer:** Apollo/Conbraco **Model:** RP40
Size: 6 **Orientation:** H **Meters:**
Manual: 8 **0.25% Pb:** No **Spare Parts Only:** No
Approved: 08-Apr-1991 **Renewed:** 08-Apr-2015 **Bypass:**
Shutoffs: (tt),bb,ee,ll
Notes: formerly 4020C02, 4020C03, 4020C05

Type: RP	Manufacturer: Apollo/Conbraco	Model: RP40
Size: 8	Orientation: H	Meters:
Manual: 8	0.25% Pb: No	Spare Parts Only: No
Approved: 22-Oct-1991	Renewed: 22-Oct-2012	Bypass:
Shutoffs: (tt),bb,cc,ee,ll,mm,uu		
Notes: formerly 4020E02, 4020E03		

Type: RP	Manufacturer: Apollo/Conbraco	Model: RP40
Size: 10	Orientation: H	Meters:
Manual: 8	0.25% Pb: No	Spare Parts Only: No
Approved: 13-Apr-1993	Renewed: 13-Apr-2014	Bypass:
Shutoffs: (tt),bb,cc,ee,ll,mm,uu		
Notes: formerly 4020G02, 4020G03		

Type: RP	Manufacturer: Apollo/Conbraco	Model: RP40N
Size: 3/4	Orientation: VUVD	Meters:
Manual: 8	0.25% Pb: No	Spare Parts Only: No
Approved: 06-Nov-1992	Renewed: 06-Nov-2013	Bypass:
Shutoffs: (dd)		
Notes: formerly 40204A2U		

Type: RP	Manufacturer: Apollo/Conbraco	Model: RP40N
Size: 1 1/4	Orientation: VUVD	Meters:
Manual: 8	0.25% Pb: No	Spare Parts Only: No
Approved: 02-Feb-1995	Renewed: 02-Feb-2013	Bypass:
Shutoffs: (dd)		
Notes: formerly 40206A2U, 40206T2U		

Type: RP	Manufacturer: Apollo/Conbraco	Model: RP40U
Size: 1 1/2	Orientation: VUVD	Meters:
Manual: 8	0.25% Pb: No	Spare Parts Only: No
Approved: 02-Feb-1995	Renewed: 02-Feb-2013	Bypass:
Shutoffs: (dd)		
Notes: formerly 40207A2U, 40207T2U		

Type: RP	Manufacturer: Apollo/Conbraco	Model: RP40U
Size: 2	Orientation: VUVD	Meters:
Manual: 8	0.25% Pb: No	Spare Parts Only: No
Approved: 02-Feb-1995	Renewed: 02-Feb-2013	Bypass:
Shutoffs: (dd)		
Notes: formerly 40208A2U, 40208T2U		

Type: RP
Size: 3/4
Manual: 8
Approved: 06-Nov-1992
Shutoffs: (dd)
Notes: formerly 40204A2Z

Manufacturer: Apollo/Conbraco
Orientation: VUVU
0.25% Pb: No
Renewed: 06-Nov-2013

Model: RP40Z
Meters:
Spare Parts Only: No
Bypass:

Type: RP
Size: 1 1/4
Manual: 8
Approved: 02-Feb-1995
Shutoffs: (dd)
Notes: formerly 40206A2Z, 40206T2Z

Manufacturer: Apollo/Conbraco
Orientation: VUVU
0.25% Pb: No
Renewed: 02-Feb-2013

Model: RP40Z
Meters:
Spare Parts Only: No
Bypass:

Type: RP
Size: 1 1/2
Manual: 8
Approved: 02-Feb-1995
Shutoffs: (dd)
Notes: formerly 40207A2Z, 40207T2Z

Manufacturer: Apollo/Conbraco
Orientation: VUVU
0.25% Pb: No
Renewed: 02-Feb-2013

Model: RP40Z
Meters:
Spare Parts Only: No
Bypass:

Type: RP
Size: 2
Manual: 8
Approved: 02-Feb-1995
Shutoffs: (dd)
Notes: formerly 40208A2Z, 40208T2Z

Manufacturer: Apollo/Conbraco
Orientation: VUVU
0.25% Pb: No
Renewed: 02-Feb-2013

Model: RP40Z
Meters:
Spare Parts Only: No
Bypass:

Type: RP
Size: 1/2
Manual: 9
Approved: 29-Nov-2011
Shutoffs: (iiii),sssss

Manufacturer: Apollo/Conbraco
Orientation: H
0.25% Pb: No
Renewed: 29-Oct-2014

Model: RP4A
Meters:
Spare Parts Only: No
Bypass:

Type: RP
Size: 3/4
Manual: 9
Approved: 14-Jun-2011
Shutoffs: (iiii),sssss,wwww

Manufacturer: Apollo/Conbraco
Orientation: H
0.25% Pb: No
Renewed: 14-Jun-2014

Model: RP4A
Meters:
Spare Parts Only: No
Bypass:

Type: RP	Manufacturer: Apollo/Conbraco	Model: RP4A
Size: 1	Orientation: H	Meters:
Manual: 9	0.25% Pb: No	Spare Parts Only: No
Approved: 27-Sep-2011	Renewed: 27-Sep-2014	Bypass:
Shutoffs: (iiii),sssss,www		

Type: RP	Manufacturer: Apollo/Conbraco	Model: RP4A
Size: 1 1/4	Orientation: H	Meters:
Manual: 9	0.25% Pb: No	Spare Parts Only: No
Approved: 11-Dec-2013	Renewed:	Bypass:
Shutoffs: (iiii),sssss,www		

Type: RP	Manufacturer: Apollo/Conbraco	Model: RP4A
Size: 1 1/2	Orientation: H	Meters:
Manual: 9	0.25% Pb: No	Spare Parts Only: No
Approved: 11-Dec-2013	Renewed:	Bypass:
Shutoffs: (iiii),sssss,www		

Type: RP	Manufacturer: Apollo/Conbraco	Model: RP4A
Size: 2	Orientation: H	Meters:
Manual: 9	0.25% Pb: No	Spare Parts Only: No
Approved: 29-Nov-2011	Renewed: 29-Oct-2014	Bypass:
Shutoffs: (iiii),sssss,www		

Type: RP	Manufacturer: Apollo/Conbraco	Model: RPLF40
Size: 1/2	Orientation: H	Meters:
Manual: 9	0.25% Pb: Yes	Spare Parts Only: No
Approved: 18-Nov-2010	Renewed: 18-Nov-2013	Bypass:
Shutoffs: (jjjj)		

Type: RP	Manufacturer: Apollo/Conbraco	Model: RPLF40
Size: 1 1/4	Orientation: H	Meters:
Manual: 9	0.25% Pb: Yes	Spare Parts Only: No
Approved: 18-Nov-2010	Renewed: 18-Nov-2013	Bypass:
Shutoffs: (jjjj)		

Type: RP	Manufacturer: Apollo/Conbraco	Model: RPLF40
Size: 1 1/2	Orientation: H	Meters:
Manual: 9	0.25% Pb: Yes	Spare Parts Only: No
Approved: 18-Nov-2010	Renewed: 18-Nov-2013	Bypass:
Shutoffs: (jjjj)		

Type: RP
Size: 2
Manual: 9
Approved: 18-Nov-2010
Shutoffs: (jjjjj)

Manufacturer: Apollo/Conbraco
Orientation: H
0.25% Pb: Yes
Renewed: 18-Nov-2013

Model: RPLF40
Meters:
Spare Parts Only: No
Bypass:

Type: RP
Size: 1/2
Manual: 9
Approved: 29-Nov-2011
Shutoffs: (jjjjj),tttt,uuuuu

Manufacturer: Apollo/Conbraco
Orientation: H
0.25% Pb: Yes
Renewed: 29-Oct-2014

Model: RPLF4A
Meters:
Spare Parts Only: No
Bypass:

Type: RP
Size: 3/4
Manual: 9
Approved: 14-Jun-2011
Shutoffs: (jjjjj),tttt,vvvvv

Manufacturer: Apollo/Conbraco
Orientation: H
0.25% Pb: Yes
Renewed: 14-Jun-2014

Model: RPLF4A
Meters:
Spare Parts Only: No
Bypass:

Type: RP
Size: 1
Manual: 9
Approved: 27-Sep-2011
Shutoffs: (jjjjj),tttt,vvvvv

Manufacturer: Apollo/Conbraco
Orientation: H
0.25% Pb: Yes
Renewed: 27-Sep-2014

Model: RPLF4A
Meters:
Spare Parts Only: No
Bypass:

Type: RP
Size: 1 1/4
Manual: 9
Approved: 11-Dec-2013
Shutoffs: (jjjjj),tttt,vvvvv

Manufacturer: Apollo/Conbraco
Orientation: H
0.25% Pb: Yes
Renewed:

Model: RPLF4A
Meters:
Spare Parts Only: No
Bypass:

Type: RP
Size: 1 1/2
Manual: 9
Approved: 11-Dec-2013
Shutoffs: (jjjjj),tttt,vvvvv

Manufacturer: Apollo/Conbraco
Orientation: H
0.25% Pb: Yes
Renewed:

Model: RPLF4A
Meters:
Spare Parts Only: No
Bypass:

Type: RP
Size: 2
Manual: 9
Approved: 29-Nov-2011
Shutoffs: (jjjjj),tttt,vvvvv

Manufacturer: Apollo/Conbraco
Orientation: H
0.25% Pb: Yes
Renewed: 29-Oct-2014

Model: RPLF4A
Meters:
Spare Parts Only: No
Bypass:

Type: RP **Manufacturer:** Apollo/Conbraco **Model:** RPLF4A
Size: 2 1/2 **Orientation:** H **Meters:**
Manual: 10 **0.25% Pb:** Yes **Spare Parts Only:** No
Approved: 25-Feb-2014 **Renewed:** **Bypass:**
Shutoffs: (yyy), cccc, dddd, mmmm, nnnn

Type: RP **Manufacturer:** Apollo/Conbraco **Model:** RPLF4A
Size: 3 **Orientation:** H **Meters:**
Manual: 10 **0.25% Pb:** Yes **Spare Parts Only:** No
Approved: 25-Feb-2014 **Renewed:** **Bypass:**
Shutoffs: (yyy), cccc, dddd, mmmm, nnnn

Type: RP **Manufacturer:** Apollo/Conbraco **Model:** RPLF4A
Size: 4 **Orientation:** H **Meters:**
Manual: 10 **0.25% Pb:** Yes **Spare Parts Only:** No
Approved: 24-Jun-2013 **Renewed:** **Bypass:**
Shutoffs: (yyy), cccc, dddd, mmmm, nnnn

Type: RP **Manufacturer:** Apollo/Conbraco **Model:** RPLF4A
Size: 6 **Orientation:** H **Meters:**
Manual: 10 **0.25% Pb:** Yes **Spare Parts Only:** No
Approved: 24-Jun-2013 **Renewed:** **Bypass:**
Shutoffs: (yyy), cccc, dddd, mmmm, nnnn

Type: RP **Manufacturer:** Apollo/Conbraco **Model:** RPLF4AN
Size: 2 1/2 **Orientation:** VUVD **Meters:**
Manual: 10 **0.25% Pb:** Yes **Spare Parts Only:** No
Approved: 27-Apr-2015 **Renewed:** **Bypass:**
Shutoffs: (yyy), cccc, dddd, mmmm, nnnn

Type: RP **Manufacturer:** Apollo/Conbraco **Model:** RPLF4AN
Size: 2 1/2 **Orientation:** VUVU **Meters:**
Manual: 10 **0.25% Pb:** Yes **Spare Parts Only:** No
Approved: 27-Apr-2015 **Renewed:** **Bypass:**
Shutoffs: (yyy), cccc, dddd, mmmm, nnnn

Type: RP **Manufacturer:** Apollo/Conbraco **Model:** RPLF4AN
Size: 3 **Orientation:** VUVD **Meters:**
Manual: 10 **0.25% Pb:** Yes **Spare Parts Only:** No
Approved: 27-Apr-2015 **Renewed:** **Bypass:**
Shutoffs: (yyy), cccc, dddd, mmmm, nnnn

Type: RP
Size: 3
Manual: 10
Approved: 27-Apr-2015
Shutoffs: (yyy), cccc, dddd, mmmm, nnnn

Manufacturer: Apollo/Conbraco
Orientation: VUVU
0.25% Pb: Yes
Renewed:

Model: RPLF4AN
Meters:
Spare Parts Only: No
Bypass:

Type: RP
Size: 4
Manual: 10
Approved: 15-May-2014
Shutoffs: (yyy), cccc, dddd, mmmm, nnnn

Manufacturer: Apollo/Conbraco
Orientation: VUVD
0.25% Pb: Yes
Renewed:

Model: RPLF4AN
Meters:
Spare Parts Only: No
Bypass:

Type: RP
Size: 4
Manual: 10
Approved: 11-Jun-2014
Shutoffs: (yyy), cccc, dddd, mmmm, nnnn

Manufacturer: Apollo/Conbraco
Orientation: VUVU
0.25% Pb: Yes
Renewed:

Model: RPLF4AN
Meters:
Spare Parts Only: No
Bypass:

Type: RP
Size: 6
Manual: 10
Approved: 10-Jun-2014
Shutoffs: (yyy), cccc, dddd, mmmm, nnnn

Manufacturer: Apollo/Conbraco
Orientation: VUVD
0.25% Pb: Yes
Renewed:

Model: RPLF4AN
Meters:
Spare Parts Only: No
Bypass:

Type: RP
Size: 6
Manual: 10
Approved: 11-Jun-2014
Shutoffs: (yyy), cccc, dddd, mmmm, nnnn

Manufacturer: Apollo/Conbraco
Orientation: VUVU
0.25% Pb: Yes
Renewed:

Model: RPLF4AN
Meters:
Spare Parts Only: No
Bypass:

Type: RP
Size: 1/4
Manual: 8
Approved: 19-Apr-1996
Shutoffs: (uuu)
Notes: formerly 40201A2S, 40201T2S

Manufacturer: Apollo/Conbraco
Orientation: H
0.25% Pb: No
Renewed: 19-Apr-2014

Model: RPS40
Meters:
Spare Parts Only: No
Bypass:

Type: RP
Size: 3/8
Manual: 8
Approved: 19-Apr-1996
Shutoffs: (uuu)
Notes: formerly 40202A2S, 40202T2S

Manufacturer: Apollo/Conbraco
Orientation: H
0.25% Pb: No
Renewed: 19-Apr-2014

Model: RPS40
Meters:
Spare Parts Only: No
Bypass:

Type: RP
Size: 1/2
Manual: 8
Approved: 19-Apr-1996
Shutoffs: (dd)
Notes: formerly 40203A2S, 40203T2S

Manufacturer: Apollo/Conbraco
Orientation: H
0.25% Pb: No
Renewed: 19-Apr-2014

Model: RPS40
Meters:
Spare Parts Only: No
Bypass:

Type: RP
Size: 3/4
Manual: 8
Approved: 16-Aug-1994
Shutoffs: (uuu)
Notes: formerly 40204A2S

Manufacturer: Apollo/Conbraco
Orientation: H
0.25% Pb: No
Renewed: 16-Aug-2015

Model: RPS40
Meters:
Spare Parts Only: No
Bypass:

Type: RP
Size: 1/2
Manual: 9
Approved: 03-Jan-2013
Shutoffs: (oooo), ii, ooo

Manufacturer: ARI
Orientation: H
0.25% Pb: No
Renewed:

Model: RP 500
Meters:
Spare Parts Only: No
Bypass:

Type: RP
Size: 1/2
Manual: 9
Approved: 18-Feb-2014
Shutoffs: (oooo)

Manufacturer: ARI
Orientation: H
0.25% Pb: Yes
Renewed:

Model: RP 500
Meters:
Spare Parts Only: No
Bypass:

Type: RP
Size: 3/4
Manual: 9
Approved: 02-Mar-2007
Shutoffs: (ii),ooo, ooooo

Manufacturer: ARI
Orientation: H
0.25% Pb: No
Renewed: 02-Mar-2013

Model: RP 500
Meters:
Spare Parts Only: No
Bypass:

Type: RP
Size: 3/4
Manual: 9
Approved: 18-Feb-2014
Shutoffs: (00000)

Manufacturer: ARI
Orientation: H
0.25% Pb: Yes
Renewed:

Model: RP 500
Meters:
Spare Parts Only: No
Bypass:

Type: RP
Size: 1
Manual: 9
Approved: 02-Mar-2007
Shutoffs: (ii),000, 00000

Manufacturer: ARI
Orientation: H
0.25% Pb: No
Renewed: 02-Mar-2013

Model: RP 500
Meters:
Spare Parts Only: No
Bypass:

Type: RP
Size: 1
Manual: 9
Approved: 18-Feb-2014
Shutoffs: (00000)

Manufacturer: ARI
Orientation: H
0.25% Pb: Yes
Renewed:

Model: RP 500
Meters:
Spare Parts Only: No
Bypass:

Type: RP
Size: 1 1/4
Manual: 10
Approved: 18-Feb-2014
Shutoffs: (00000)

Manufacturer: ARI
Orientation: H
0.25% Pb: Yes
Renewed:

Model: RP 500
Meters:
Spare Parts Only: No
Bypass:

Type: RP
Size: 1 1/2
Manual: 10
Approved: 18-Feb-2014
Shutoffs: (00000)

Manufacturer: ARI
Orientation: H
0.25% Pb: Yes
Renewed:

Model: RP 500
Meters:
Spare Parts Only: No
Bypass:

Type: RP
Size: 2
Manual: 10
Approved: 18-Feb-2014
Shutoffs: (00000)

Manufacturer: ARI
Orientation: H
0.25% Pb: Yes
Renewed:

Model: RP 500
Meters:
Spare Parts Only: No
Bypass:

Type: RP
Size: 3/4
Manual: 9
Approved: 19-Apr-2012
Shutoffs: (ii),000

Manufacturer: Cash Acme
Orientation: H
0.25% Pb: Yes
Renewed: 19-Apr-2015

Model: RP 500
Meters:
Spare Parts Only: No
Bypass:

Type: RP
Size: 1
Manual: 9
Approved: 19-Apr-2012
Shutoffs: (ii),000

Manufacturer: Cash Acme
Orientation: H
0.25% Pb: Yes
Renewed: 19-Apr-2015

Model: RP 500
Meters:
Spare Parts Only: No
Bypass:

Type: RP
Size: 3/4
Manual: 8
Approved: 07-Apr-2009
Shutoffs: (ii)

Manufacturer: Cash Acme
Orientation: H
0.25% Pb: No
Renewed: 07-Apr-2015

Model: RP100
Meters:
Spare Parts Only: No
Bypass:

Type: RP
Size: 1
Manual: 8
Approved: 07-Apr-2009
Shutoffs: (ii)

Manufacturer: Cash Acme
Orientation: H
0.25% Pb: No
Renewed: 07-Apr-2015

Model: RP100
Meters:
Spare Parts Only: No
Bypass:

Type: RP
Size: 1 1/2
Manual: 8
Approved: 07-Apr-2009
Shutoffs: (ii)

Manufacturer: Cash Acme
Orientation: H
0.25% Pb: No
Renewed: 07-Apr-2015

Model: RP100
Meters:
Spare Parts Only: No
Bypass:

Type: RP
Size: 2
Manual: 8
Approved: 07-Apr-2009
Shutoffs: (ii)

Manufacturer: Cash Acme
Orientation: H
0.25% Pb: No
Renewed: 07-Apr-2015

Model: RP100
Meters:
Spare Parts Only: No
Bypass:

Type: RP
Size: 1/2
Manual: 8
Approved: 07-Apr-2009
Shutoffs: (ii)

Manufacturer: Cash Acme
Orientation: H
0.25% Pb: No
Renewed: 07-Apr-2015

Model: RP200
Meters:
Spare Parts Only: No
Bypass:

Type: RP
Size: 3/4
Manual: 8
Approved: 07-Apr-2009
Shutoffs: (ii)

Manufacturer: Cash Acme
Orientation: H
0.25% Pb: No
Renewed: 07-Apr-2015

Model: RP200
Meters:
Spare Parts Only: No
Bypass:

Type: RP **Manufacturer:** Cla-Val **Model:** RP4
Size: 8 **Orientation:** H **Meters:**
Manual: 8 **0.25% Pb:** No **Spare Parts Only:** Yes
Approved: 22-Jun-1989 **Renewed:** 22-Jun-2013 **Bypass:**
Shutoffs: (gg),hh,qq,rr

Type: RP **Manufacturer:** Cla-Val **Model:** RP4
Size: 10 **Orientation:** H **Meters:**
Manual: 8 **0.25% Pb:** No **Spare Parts Only:** Yes
Approved: 22-Jun-1989 **Renewed:** 22-Jun-2013 **Bypass:**
Shutoffs: (gg),hh,qq,rr

Type: RP **Manufacturer:** Conbraco **Model:**
Size: **Orientation:** **Meters:**
Manual: **0.25% Pb:** No **Spare Parts Only:** No
Approved: **Renewed:** **Bypass:**
Notes: See Apollo/Conbraco

Type: RP **Manufacturer:** Febco **Model:** 760
Size: 2 1/2 **Orientation:** H **Meters:**
Manual: 9 **0.25% Pb:** No **Spare Parts Only:** No
Approved: 17-Sep-2009 **Renewed:** 17-Sep-2015 **Bypass:**
Shutoffs: (ppp),qqq,aaaa,bbbb

Type: RP **Manufacturer:** Febco **Model:** 760
Size: 2 1/2 **Orientation:** H **Meters:**
Manual: 9 **0.25% Pb:** Yes **Spare Parts Only:** No
Approved: 17-Sep-2009 **Renewed:** 17-Sep-2015 **Bypass:**
Shutoffs: zzz,dddd,eeee,gggg,kkkk,llll,mmmm,nnnn

Type: RP **Manufacturer:** Febco **Model:** 760
Size: 3 **Orientation:** H **Meters:**
Manual: 9 **0.25% Pb:** No **Spare Parts Only:** No
Approved: 17-Sep-2009 **Renewed:** 17-Sep-2015 **Bypass:**
Shutoffs: (ppp),qqq,aaaa,bbbb

Type: RP **Manufacturer:** Febco **Model:** 760
Size: 3 **Orientation:** H **Meters:**
Manual: 9 **0.25% Pb:** Yes **Spare Parts Only:** No
Approved: 17-Sep-2009 **Renewed:** 17-Sep-2015 **Bypass:**
Shutoffs: zzz,dddd,eeee,gggg,kkkk,llll,mmmm,nnnn

Type: RP **Manufacturer:** Febco **Model:** 760
Size: 4 **Orientation:** H **Meters:**
Manual: 9 **0.25% Pb:** No **Spare Parts Only:** No
Approved: 17-Sep-2009 **Renewed:** 17-Sep-2015 **Bypass:**
Shutoffs: (ppp),qqq,aaaa,bbbb

Type: RP **Manufacturer:** Febco **Model:** 760
Size: 4 **Orientation:** H **Meters:**
Manual: 9 **0.25% Pb:** Yes **Spare Parts Only:** No
Approved: 17-Sep-2009 **Renewed:** 17-Sep-2015 **Bypass:**
Shutoffs: zzz,dddd,eeee,gggg,kkkk,llll,mmmm,nnnn

Type: RP **Manufacturer:** Febco **Model:** 760
Size: 6 **Orientation:** H **Meters:**
Manual: 9 **0.25% Pb:** No **Spare Parts Only:** No
Approved: 17-Sep-2009 **Renewed:** 17-Sep-2015 **Bypass:**
Shutoffs: (ppp),qqq,aaaa,bbbb

Type: RP **Manufacturer:** Febco **Model:** 760
Size: 6 **Orientation:** H **Meters:**
Manual: 9 **0.25% Pb:** Yes **Spare Parts Only:** No
Approved: 17-Sep-2009 **Renewed:** 17-Sep-2015 **Bypass:**
Shutoffs: zzz,dddd,eeee,gggg,kkkk,llll,mmmm,nnnn

Type: RP **Manufacturer:** Febco **Model:** 760
Size: 8 **Orientation:** H **Meters:**
Manual: 9 **0.25% Pb:** No **Spare Parts Only:** No
Approved: 17-Sep-2009 **Renewed:** 17-Sep-2015 **Bypass:**
Shutoffs: (ppp),qqq,sss,ttt,aaaa,bbbb

Type: RP **Manufacturer:** Febco **Model:** 760
Size: 8 **Orientation:** H **Meters:**
Manual: 9 **0.25% Pb:** Yes **Spare Parts Only:** No
Approved: 17-Sep-2009 **Renewed:** 17-Sep-2015 **Bypass:**
Shutoffs: zzz,cccc,dddd,eeee,gggg,kkkk,llll,mmmm,nnnn

Type: RP **Manufacturer:** Febco **Model:** 760
Size: 10 **Orientation:** H **Meters:**
Manual: 9 **0.25% Pb:** No **Spare Parts Only:** No
Approved: 17-Sep-2009 **Renewed:** 17-Sep-2015 **Bypass:**
Shutoffs: (ppp),qqq,sss,ttt,aaaa,bbbb

Type: RP
Size: 10
Manual: 9
Approved: 17-Sep-2009
Shutoffs: zzz,cccc,dddd,eeee,gggg,kkkk,llll,mmmm,nnnn
Manufacturer: Febco
Orientation: H
0.25% Pb: Yes
Renewed: 17-Sep-2015
Model: 760
Meters:
Spare Parts Only: No
Bypass:

Type: RP
Size: 2 1/2
Manual: 9
Approved: 17-Sep-2009
Shutoffs: (ppp),qqq,aaaa,bbbb
Manufacturer: Febco
Orientation: VUVD
0.25% Pb: No
Renewed: 17-Sep-2015
Model: 760N
Meters:
Spare Parts Only: No
Bypass:

Type: RP
Size: 2 1/2
Manual: 9
Approved: 17-Sep-2009
Shutoffs: zzz,dddd,eeee,gggg,kkkk,llll,mmmm,nnnn
Manufacturer: Febco
Orientation: VUVD
0.25% Pb: Yes
Renewed: 17-Sep-2015
Model: 760N
Meters:
Spare Parts Only: No
Bypass:

Type: RP
Size: 3
Manual: 9
Approved: 17-Sep-2009
Shutoffs: (ppp),qqq,aaaa,bbbb
Manufacturer: Febco
Orientation: VUVD
0.25% Pb: No
Renewed: 17-Sep-2015
Model: 760N
Meters:
Spare Parts Only: No
Bypass:

Type: RP
Size: 3
Manual: 9
Approved: 17-Sep-2009
Shutoffs: zzz,dddd,eeee,gggg,kkkk,llll,mmmm,nnnn
Manufacturer: Febco
Orientation: VUVD
0.25% Pb: Yes
Renewed: 17-Sep-2015
Model: 760N
Meters:
Spare Parts Only: No
Bypass:

Type: RP
Size: 4
Manual: 9
Approved: 17-Sep-2009
Shutoffs: (ppp),qqq,aaaa,bbbb
Manufacturer: Febco
Orientation: VUVD
0.25% Pb: No
Renewed: 17-Sep-2015
Model: 760N
Meters:
Spare Parts Only: No
Bypass:

Type: RP
Size: 4
Manual: 9
Approved: 17-Sep-2009
Shutoffs: zzz,dddd,eeee,gggg,kkkk,llll,mmmm,nnnn
Manufacturer: Febco
Orientation: VUVD
0.25% Pb: Yes
Renewed: 17-Sep-2015
Model: 760N
Meters:
Spare Parts Only: No
Bypass:

Type: RP
Size: 2 1/2
Manual: 9
Approved: 17-Sep-2009
Shutoffs: (ppp),qqq,aaaa,bbbb

Manufacturer: Febco
Orientation: VUVU
0.25% Pb: No
Renewed: 17-Sep-2015

Model: 760Z
Meters:
Spare Parts Only: No
Bypass:

Type: RP
Size: 2 1/2
Manual: 9
Approved: 17-Sep-2009
Shutoffs: zzz,dddd,eeee,gggg,kkkk,llll,mmmm,nnnn

Manufacturer: Febco
Orientation: VUVU
0.25% Pb: Yes
Renewed: 17-Sep-2015

Model: 760Z
Meters:
Spare Parts Only: No
Bypass:

Type: RP
Size: 3
Manual: 9
Approved: 17-Sep-2009
Shutoffs: (ppp),qqq,aaaa,bbbb

Manufacturer: Febco
Orientation: VUVU
0.25% Pb: No
Renewed: 17-Sep-2015

Model: 760Z
Meters:
Spare Parts Only: No
Bypass:

Type: RP
Size: 3
Manual: 9
Approved: 17-Sep-2009
Shutoffs: zzz,dddd,eeee,gggg,kkkk,llll,mmmm,nnnn

Manufacturer: Febco
Orientation: VUVU
0.25% Pb: Yes
Renewed: 17-Sep-2015

Model: 760Z
Meters:
Spare Parts Only: No
Bypass:

Type: RP
Size: 4
Manual: 9
Approved: 17-Sep-2009
Shutoffs: (ppp),qqq,aaaa,bbbb

Manufacturer: Febco
Orientation: VUVU
0.25% Pb: No
Renewed: 17-Sep-2015

Model: 760Z
Meters:
Spare Parts Only: No
Bypass:

Type: RP
Size: 4
Manual: 9
Approved: 17-Sep-2009
Shutoffs: zzz,dddd,eeee,gggg,kkkk,llll,mmmm,nnnn

Manufacturer: Febco
Orientation: VUVU
0.25% Pb: Yes
Renewed: 17-Sep-2015

Model: 760Z
Meters:
Spare Parts Only: No
Bypass:

Type: RP
Size: 3/4
Manual: 6
Approved: 19-Mar-1982
Shutoffs: (ii),fff,jjj,ooo
Notes: Replaceable check valve seats starting with serial No. J000001

Manufacturer: Febco
Orientation: H
0.25% Pb: No
Renewed: 19-Mar-2015

Model: 825Y
Meters:
Spare Parts Only: No
Bypass:

Type: RP
Size: 1
Manual: 6
Approved: 19-Mar-1982
Shutoffs: (ii),fff,jjj,ooo
Notes: Replaceable check valve seats starting with serial No. J000001

Manufacturer: Febco
Orientation: H
0.25% Pb: No
Renewed: 19-Mar-2015

Model: 825Y
Meters:
Spare Parts Only: No
Bypass:

Type: RP
Size: 1 1/4
Manual: 6
Approved: 03-Jun-1982
Shutoffs: ii,fff,jjj,ooo

Manufacturer: Febco
Orientation: H
0.25% Pb: No
Renewed: 01-Jun-2015

Model: 825Y
Meters:
Spare Parts Only: Yes
Bypass:

Type: RP
Size: 1 1/2
Manual: 6
Approved: 06-Aug-1982
Shutoffs: (ii),fff,jjj,ooo
Notes: Replaceable check valve seats starting with serial No. J000001

Manufacturer: Febco
Orientation: H
0.25% Pb: No
Renewed: 06-Aug-2015

Model: 825Y
Meters:
Spare Parts Only: No
Bypass:

Type: RP
Size: 2
Manual: 6
Approved: 06-Aug-1982
Shutoffs: (ii),fff,ooo
Notes: Replaceable check valve seats starting with serial No. J000001

Manufacturer: Febco
Orientation: H
0.25% Pb: No
Renewed: 06-Aug-2015

Model: 825Y
Meters:
Spare Parts Only: No
Bypass:

Type: RP
Size: 3/4
Manual: 8
Approved: 05-Mar-1990
Shutoffs: (ii),fff,jjj,ooo
Notes: Replaceable check valve seats starting with serial No. J000001

Manufacturer: Febco
Orientation: H
0.25% Pb: No
Renewed: 05-Mar-2014

Model: 825YA
Meters:
Spare Parts Only: No
Bypass:

Type: RP **Manufacturer:** Febco **Model:** 825YA
Size: 3/4 **Orientation:** HVD **Meters:**
Manual: 8 **0.25% Pb:** No **Spare Parts Only:** No
Approved: 05-Mar-1990 **Renewed:** 05-Mar-2014 **Bypass:**
Shutoffs: (ii),fff,jjj,ooo
Notes: Replaceable check valve seats starting with serial No. J000001

Type: RP **Manufacturer:** Febco **Model:** 825YA
Size: 3/4 **Orientation:** VUH **Meters:**
Manual: 8 **0.25% Pb:** No **Spare Parts Only:** No
Approved: 05-Mar-1990 **Renewed:** 05-Mar-2014 **Bypass:**
Shutoffs: (ii),fff,jjj,ooo
Notes: Replaceable check valve seats starting with serial No. J000001

Type: RP **Manufacturer:** Febco **Model:** 825YA
Size: 3/4 **Orientation:** VUVD **Meters:**
Manual: 8 **0.25% Pb:** No **Spare Parts Only:** No
Approved: 05-Mar-1990 **Renewed:** 05-Mar-2014 **Bypass:**
Shutoffs: (ii),fff,jjj,ooo
Notes: Replaceable check valve seats starting with serial No. J000001

Type: RP **Manufacturer:** Febco **Model:** 825YA
Size: 1 **Orientation:** H **Meters:**
Manual: 8 **0.25% Pb:** No **Spare Parts Only:** No
Approved: 05-Mar-1990 **Renewed:** 05-Mar-2014 **Bypass:**
Shutoffs: (ii),fff,jjj,ooo
Notes: Replaceable check valve seats starting with serial No. J000001

Type: RP **Manufacturer:** Febco **Model:** 825YA
Size: 1 **Orientation:** HVD **Meters:**
Manual: 8 **0.25% Pb:** No **Spare Parts Only:** No
Approved: 05-Mar-1990 **Renewed:** 05-Mar-2014 **Bypass:**
Shutoffs: (ii),fff,jjj,ooo
Notes: Replaceable check valve seats starting with serial No. J000001

Type: RP **Manufacturer:** Febco **Model:** 825YA
Size: 1 **Orientation:** VUH **Meters:**
Manual: 8 **0.25% Pb:** No **Spare Parts Only:** No
Approved: 05-Mar-1990 **Renewed:** 05-Mar-2014 **Bypass:**
Shutoffs: (ii),fff,jjj,ooo
Notes: Replaceable check valve seats starting with serial No. J000001

Type: RP **Manufacturer:** Febco **Model:** 825YA
Size: 1 **Orientation:** VUVD **Meters:**
Manual: 8 **0.25% Pb:** No **Spare Parts Only:** No
Approved: 05-Mar-1990 **Renewed:** 05-Mar-2014 **Bypass:**
Shutoffs: (ii),fff,jjj,ooo
Notes: Replaceable check valve seats starting with serial No. J000001

Type: RP **Manufacturer:** Febco **Model:** 825YA
Size: 1 1/2 **Orientation:** H **Meters:**
Manual: 8 **0.25% Pb:** No **Spare Parts Only:** No
Approved: 08-May-1989 **Renewed:** 08-May-2013 **Bypass:**
Shutoffs: (ii),fff,jjj,ooo
Notes: Replaceable check valve seats starting with serial No. J000001

Type: RP **Manufacturer:** Febco **Model:** 825YA
Size: 1 1/2 **Orientation:** HVD **Meters:**
Manual: 8 **0.25% Pb:** No **Spare Parts Only:** No
Approved: 08-May-1989 **Renewed:** 08-May-2013 **Bypass:**
Shutoffs: (ii),fff,jjj,ooo
Notes: Replaceable check valve seats starting with serial No. J000001

Type: RP **Manufacturer:** Febco **Model:** 825YA
Size: 1 1/2 **Orientation:** VUH **Meters:**
Manual: 8 **0.25% Pb:** No **Spare Parts Only:** No
Approved: 08-May-1989 **Renewed:** 08-May-2013 **Bypass:**
Shutoffs: (ii),fff,jjj,ooo
Notes: Replaceable check valve seats starting with serial No. J000001

Type: RP **Manufacturer:** Febco **Model:** 825YA
Size: 1 1/2 **Orientation:** VUVD **Meters:**
Manual: 8 **0.25% Pb:** No **Spare Parts Only:** No
Approved: 08-May-1989 **Renewed:** 08-May-2013 **Bypass:**
Shutoffs: (ii),fff,jjj,ooo
Notes: Replaceable check valve seats starting with serial No. J000001

Type: RP **Manufacturer:** Febco **Model:** 825YA
Size: 2 **Orientation:** H **Meters:**
Manual: 8 **0.25% Pb:** No **Spare Parts Only:** No
Approved: 08-May-1989 **Renewed:** 08-May-2013 **Bypass:**
Shutoffs: (ii),fff,ooo
Notes: Replaceable check valve seats starting with serial No. J000001

Type: RP **Manufacturer:** Febco **Model:** 825YA
Size: 2 **Orientation:** HVD **Meters:**
Manual: 8 **0.25% Pb:** No **Spare Parts Only:** No
Approved: 08-May-1989 **Renewed:** 08-May-2013 **Bypass:**
Shutoffs: (ii),fff,000
Notes: Replaceable check valve seats starting with serial No. J000001

Type: RP **Manufacturer:** Febco **Model:** 825YA
Size: 2 **Orientation:** VUH **Meters:**
Manual: 8 **0.25% Pb:** No **Spare Parts Only:** No
Approved: 08-May-1989 **Renewed:** 08-May-2013 **Bypass:**
Shutoffs: (ii),fff,000
Notes: Replaceable check valve seats starting with serial No. J000001

Type: RP **Manufacturer:** Febco **Model:** 825YA
Size: 2 **Orientation:** VUVD **Meters:**
Manual: 8 **0.25% Pb:** No **Spare Parts Only:** No
Approved: 08-May-1989 **Renewed:** 08-May-2013 **Bypass:**
Shutoffs: (ii),fff,000
Notes: Replaceable check valve seats starting with serial No. J000001

Type: RP **Manufacturer:** Febco **Model:** 825YAR
Size: 3/4 **Orientation:** H **Meters:**
Manual: 8 **0.25% Pb:** No **Spare Parts Only:** Yes
Approved: 22-Jan-1993 **Renewed:** 22-Jan-2014 **Bypass:**
Shutoffs: ii,fff,jjj,000

Type: RP **Manufacturer:** Febco **Model:** 825YAR
Size: 3/4 **Orientation:** HVD **Meters:**
Manual: 8 **0.25% Pb:** No **Spare Parts Only:** Yes
Approved: 22-Jan-1993 **Renewed:** 22-Jan-2014 **Bypass:**
Shutoffs: ii,fff,jjj,000

Type: RP **Manufacturer:** Febco **Model:** 825YAR
Size: 3/4 **Orientation:** VUH **Meters:**
Manual: 8 **0.25% Pb:** No **Spare Parts Only:** Yes
Approved: 22-Jan-1993 **Renewed:** 22-Jan-2014 **Bypass:**
Shutoffs: ii,fff,jjj,000

Type: RP
Size: 3/4
Manual: 8
Approved: 22-Jan-1993
Shutoffs: ii,fff,jjj,ooo

Manufacturer: Febco
Orientation: VUVD
0.25% Pb: No
Renewed: 22-Jan-2014

Model: 825YAR
Meters:
Spare Parts Only: Yes
Bypass:

Type: RP
Size: 1
Manual: 8
Approved: 21-Jan-1993
Shutoffs: ii,fff,jjj,ooo

Manufacturer: Febco
Orientation: H
0.25% Pb: No
Renewed: 21-Jan-2014

Model: 825YAR
Meters:
Spare Parts Only: Yes
Bypass:

Type: RP
Size: 1
Manual: 8
Approved: 21-Jan-1993
Shutoffs: ii,fff,jjj,ooo

Manufacturer: Febco
Orientation: HVD
0.25% Pb: No
Renewed: 21-Jan-2014

Model: 825YAR
Meters:
Spare Parts Only: Yes
Bypass:

Type: RP
Size: 1
Manual: 8
Approved: 21-Jan-1993
Shutoffs: ii,fff,jjj,ooo

Manufacturer: Febco
Orientation: VUH
0.25% Pb: No
Renewed: 21-Jan-2014

Model: 825YAR
Meters:
Spare Parts Only: Yes
Bypass:

Type: RP
Size: 1
Manual: 8
Approved: 21-Jan-1993
Shutoffs: ii,fff,jjj,ooo

Manufacturer: Febco
Orientation: VUVD
0.25% Pb: No
Renewed: 21-Jan-2014

Model: 825YAR
Meters:
Spare Parts Only: Yes
Bypass:

Type: RP
Size: 1 1/2
Manual: 8
Approved: 19-Aug-1993
Shutoffs: ii,fff,jjj,ooo

Manufacturer: Febco
Orientation: H
0.25% Pb: No
Renewed: 19-Aug-2014

Model: 825YAR
Meters:
Spare Parts Only: Yes
Bypass:

Type: RP
Size: 1 1/2
Manual: 8
Approved: 19-Aug-1993
Shutoffs: ii,fff,jjj,ooo

Manufacturer: Febco
Orientation: HVD
0.25% Pb: No
Renewed: 19-Aug-2014

Model: 825YAR
Meters:
Spare Parts Only: Yes
Bypass:

Type: RP
Size: 1 1/2
Manual: 8
Approved: 19-Aug-1993
Shutoffs: ii,fff,jjj,ooo

Manufacturer: Febco
Orientation: VUH
0.25% Pb: No
Renewed: 19-Aug-2014

Model: 825YAR
Meters:
Spare Parts Only: Yes
Bypass:

Type: RP
Size: 1 1/2
Manual: 8
Approved: 19-Aug-1993
Shutoffs: ii,fff,jjj,ooo

Manufacturer: Febco
Orientation: VUVD
0.25% Pb: No
Renewed: 19-Aug-2014

Model: 825YAR
Meters:
Spare Parts Only: Yes
Bypass:

Type: RP
Size: 2
Manual: 8
Approved: 19-Aug-1993
Shutoffs: ii,fff,ooo

Manufacturer: Febco
Orientation: H
0.25% Pb: No
Renewed: 19-Aug-2014

Model: 825YAR
Meters:
Spare Parts Only: Yes
Bypass:

Type: RP
Size: 2
Manual: 8
Approved: 19-Aug-1993
Shutoffs: ii,fff,ooo

Manufacturer: Febco
Orientation: HVD
0.25% Pb: No
Renewed: 19-Aug-2014

Model: 825YAR
Meters:
Spare Parts Only: Yes
Bypass:

Type: RP
Size: 2
Manual: 8
Approved: 19-Aug-1993
Shutoffs: ii,fff,ooo

Manufacturer: Febco
Orientation: VUH
0.25% Pb: No
Renewed: 19-Aug-2014

Model: 825YAR
Meters:
Spare Parts Only: Yes
Bypass:

Type: RP
Size: 2
Manual: 8
Approved: 19-Aug-1993
Shutoffs: ii,fff,ooo

Manufacturer: Febco
Orientation: VUVD
0.25% Pb: No
Renewed: 19-Aug-2014

Model: 825YAR
Meters:
Spare Parts Only: Yes
Bypass:

Type: RP
Size: 2 1/2
Manual: 7
Approved: 24-Feb-1989
Shutoffs: (ee),ff,ll,mm,oo,pp,tt,uu,zzz,ffff,gggg

Manufacturer: Febco
Orientation: H
0.25% Pb: No
Renewed: 24-Feb-2013

Model: 825YD
Meters:
Spare Parts Only: No
Bypass:

Type: RP	Manufacturer: Febco	Model: 825YD
Size: 3	Orientation: H	Meters:
Manual: 7	0.25% Pb: No	Spare Parts Only: No
Approved: 24-Feb-1989	Renewed: 24-Feb-2013	Bypass:
Shutoffs: (ee),ff,ll,mm,oo,pp,tt,uu,zzz,ffff,gggg		

Type: RP	Manufacturer: Febco	Model: 825YD
Size: 4	Orientation: H	Meters:
Manual: 7	0.25% Pb: No	Spare Parts Only: No
Approved: 24-Feb-1989	Renewed: 24-Feb-2013	Bypass:
Shutoffs: (ee),ff,ll,mm,oo,pp,tt,uu,zzz,ffff,gggg		

Type: RP	Manufacturer: Febco	Model: 825YD
Size: 6	Orientation: H	Meters:
Manual: 7	0.25% Pb: No	Spare Parts Only: No
Approved: 24-Feb-1989	Renewed: 24-Feb-2013	Bypass:
Shutoffs: (ee),ff,ll,mm,oo,pp,tt,uu,zzz,ffff,gggg		

Type: RP	Manufacturer: Febco	Model: 825YD
Size: 8	Orientation: H	Meters:
Manual: 7	0.25% Pb: No	Spare Parts Only: No
Approved: 24-Feb-1989	Renewed: 24-Feb-2013	Bypass:
Shutoffs: (ee),ff,ll,mm,oo,pp,tt,uu,zzz,ffff,gggg		

Type: RP	Manufacturer: Febco	Model: 825YD
Size: 10	Orientation: H	Meters:
Manual: 7	0.25% Pb: No	Spare Parts Only: No
Approved: 24-Feb-1989	Renewed: 24-Feb-2013	Bypass:
Shutoffs: (ee),ff,ll,mm,oo,pp,tt,uu,zzz,ffff,gggg		

Type: RP	Manufacturer: Febco	Model: 825YR
Size: 3/4	Orientation: H	Meters:
Manual: 8	0.25% Pb: No	Spare Parts Only: Yes
Approved: 22-Jan-1993	Renewed: 22-Jan-2014	Bypass:
Shutoffs: ii,fff,jjj		

Type: RP	Manufacturer: Febco	Model: 825YR
Size: 1	Orientation: H	Meters:
Manual: 8	0.25% Pb: No	Spare Parts Only: Yes
Approved: 22-Jan-1993	Renewed: 22-Jan-2014	Bypass:
Shutoffs: ii,fff,jjj		

Type: RP
Size: 1 1/2
Manual: 8
Approved: 23-Jul-1993
Shutoffs: ii,fff,jjj

Manufacturer: Febco
Orientation: H
0.25% Pb: No
Renewed: 23-Jul-2014

Model: 825YR
Meters:
Spare Parts Only: Yes
Bypass:

Type: RP
Size: 2
Manual: 8
Approved: 23-Jul-1993
Shutoffs: ii,fff

Manufacturer: Febco
Orientation: H
0.25% Pb: No
Renewed: 23-Jul-2014

Model: 825YR
Meters:
Spare Parts Only: Yes
Bypass:

Type: RP
Size: 1/2
Manual: 9
Approved: 09-Apr-1998
Shutoffs: (fff),ooo

Manufacturer: Febco
Orientation: H
0.25% Pb: No
Renewed: 09-Apr-2013

Model: 860
Meters:
Spare Parts Only: No
Bypass:

Type: RP
Size: 3/4
Manual: 9
Approved: 21-Nov-1997
Shutoffs: (fff),jjj,ooo

Manufacturer: Febco
Orientation: H
0.25% Pb: No
Renewed: 21-Nov-2012

Model: 860
Meters:
Spare Parts Only: No
Bypass:

Type: RP
Size: 1
Manual: 9
Approved: 21-Nov-1997
Shutoffs: (fff),jjj,ooo

Manufacturer: Febco
Orientation: H
0.25% Pb: No
Renewed: 21-Nov-2012

Model: 860
Meters:
Spare Parts Only: No
Bypass:

Type: RP
Size: 1 1/4
Manual: 9
Approved: 04-Jun-1998
Shutoffs: (fff),jjj,ooo

Manufacturer: Febco
Orientation: H
0.25% Pb: No
Renewed: 04-Jun-2013

Model: 860
Meters:
Spare Parts Only: No
Bypass:

Type: RP
Size: 1 1/2
Manual: 9
Approved: 09-Apr-1998
Shutoffs: (fff),jjj,ooo

Manufacturer: Febco
Orientation: H
0.25% Pb: No
Renewed: 09-Apr-2013

Model: 860
Meters:
Spare Parts Only: No
Bypass:

Type: RP
Size: 2
Manual: 9
Approved: 09-Apr-1998
Shutoffs: (fff),ooo

Manufacturer: Febco
Orientation: H
0.25% Pb: No
Renewed: 09-Apr-2013

Model: 860
Meters:
Spare Parts Only: No
Bypass:

Type: RP
Size: 2 1/2
Manual: 8
Approved: 19-Apr-1996
Shutoffs: (ee),ff,ll,mm,oo,pp,tt,uu.zzz,cccc,ffff,gggg

Manufacturer: Febco
Orientation: H
0.25% Pb: No
Renewed: 19-Apr-2014

Model: 860
Meters:
Spare Parts Only: No
Bypass:

Type: RP
Size: 3
Manual: 8
Approved: 19-Apr-1996
Shutoffs: (ee),ff,ll,mm,oo,pp,tt,uu.zzz,cccc,ffff,gggg

Manufacturer: Febco
Orientation: H
0.25% Pb: No
Renewed: 19-Apr-2014

Model: 860
Meters:
Spare Parts Only: No
Bypass:

Type: RP
Size: 4
Manual: 8
Approved: 31-May-1995
Shutoffs: (ee),ff,ll,mm,oo,pp,tt,uu,nnn,zzz,cccc,ffff,gggg

Manufacturer: Febco
Orientation: H
0.25% Pb: No
Renewed: 31-May-2013

Model: 860
Meters:
Spare Parts Only: No
Bypass:

Type: RP
Size: 6
Manual: 8
Approved: 07-Aug-1995
Shutoffs: (ee),ff,ll,mm,oo,pp,tt,uu,nnn,zzz,cccc,ffff,gggg

Manufacturer: Febco
Orientation: H
0.25% Pb: No
Renewed: 07-Aug-2013

Model: 860
Meters:
Spare Parts Only: No
Bypass:

Type: RP
Size: 8
Manual: 8
Approved: 04-Oct-1995
Shutoffs: (ee),ff,ll,mm,oo,pp,tt,uu,nnn,zzz,cccc,ffff,gggg

Manufacturer: Febco
Orientation: H
0.25% Pb: No
Renewed: 04-Oct-2013

Model: 860
Meters:
Spare Parts Only: No
Bypass:

Type: RP
Size: 1/2
Manual: 9
Approved: 12-Oct-1998
Shutoffs: (kkk)

Manufacturer: Febco
Orientation: H
0.25% Pb: No
Renewed: 12-Oct-2013

Model: 860U
Meters:
Spare Parts Only: No
Bypass:

Type: RP **Manufacturer:** Febco **Model:** 860U
Size: 3/4 **Orientation:** H **Meters:**
Manual: 9 **0.25% Pb:** No **Spare Parts Only:** No
Approved: 12-Oct-1998 **Renewed:** 12-Oct-2013 **Bypass:**
Shutoffs: (kkk)

Type: RP **Manufacturer:** Febco **Model:** 860U
Size: 1 **Orientation:** H **Meters:**
Manual: 9 **0.25% Pb:** No **Spare Parts Only:** No
Approved: 12-Oct-1998 **Renewed:** 12-Oct-2013 **Bypass:**
Shutoffs: (kkk)

Type: RP **Manufacturer:** Febco **Model:** 860U
Size: 1 1/4 **Orientation:** H **Meters:**
Manual: 9 **0.25% Pb:** No **Spare Parts Only:** No
Approved: 12-Oct-1998 **Renewed:** 12-Oct-2013 **Bypass:**
Shutoffs: (kkk)

Type: RP **Manufacturer:** Febco **Model:** 860U
Size: 1 1/2 **Orientation:** H **Meters:**
Manual: 9 **0.25% Pb:** No **Spare Parts Only:** No
Approved: 12-Oct-1998 **Renewed:** 12-Oct-2013 **Bypass:**
Shutoffs: (kkk)

Type: RP **Manufacturer:** Febco **Model:** 860U
Size: 2 **Orientation:** H **Meters:**
Manual: 9 **0.25% Pb:** No **Spare Parts Only:** No
Approved: 12-Oct-1998 **Renewed:** 12-Oct-2013 **Bypass:**
Shutoffs: (kkk)

Type: RP **Manufacturer:** Febco **Model:** 867
Size: 2 1/2 **Orientation:** H **Meters:**
Manual: 8 **0.25% Pb:** No **Spare Parts Only:** No
Approved: 01-Aug-2006 **Renewed:** 01-Aug-2015 **Bypass:**
Shutoffs: (oo), gg, hh,ll, mm, pp, tt, uu, yy, fff

Type: RP **Manufacturer:** Febco **Model:** 867
Size: 3 **Orientation:** H **Meters:**
Manual: 8 **0.25% Pb:** No **Spare Parts Only:** No
Approved: 01-Aug-2006 **Renewed:** 01-Aug-2015 **Bypass:**
Shutoffs: (oo), gg, hh,ll, mm, pp, tt, uu, yy, eee, fff

Type: RP **Manufacturer:** Febco **Model:** 880
Size: 2 1/2 **Orientation:** VUVD **Meters:**
Manual: 8 **0.25% Pb:** No **Spare Parts Only:** Yes
Approved: 24-May-1995 **Renewed:** 24-May-2013 **Bypass:**
Shutoffs: ee,ff,ll,mm,oo,pp,tt,uu,zzz,ffff,gggg

Type: RP **Manufacturer:** Febco **Model:** 880
Size: 3 **Orientation:** VUVD **Meters:**
Manual: 8 **0.25% Pb:** No **Spare Parts Only:** Yes
Approved: 24-May-1995 **Renewed:** 24-May-2013 **Bypass:**
Shutoffs: ee,ff,ll,mm,oo,pp,tt,uu,zzz,ffff,gggg

Type: RP **Manufacturer:** Febco **Model:** 880
Size: 4 **Orientation:** VUVD **Meters:**
Manual: 8 **0.25% Pb:** No **Spare Parts Only:** Yes
Approved: 10-Mar-1995 **Renewed:** 10-Mar-2013 **Bypass:**
Shutoffs: ee,ff,ll,mm,oo,pp,tt,uu,zzz,ffff,gggg

Type: RP **Manufacturer:** Febco **Model:** 880
Size: 6 **Orientation:** VUVD **Meters:**
Manual: 8 **0.25% Pb:** No **Spare Parts Only:** Yes
Approved: 19-May-1995 **Renewed:** 19-May-2013 **Bypass:**
Shutoffs: ee,ff,ll,mm,oo,pp,tt,uu,zzz,ffff,gggg

Type: RP **Manufacturer:** Febco **Model:** 880
Size: 8 **Orientation:** VUVD **Meters:**
Manual: 8 **0.25% Pb:** No **Spare Parts Only:** Yes
Approved: 19-May-1995 **Renewed:** 19-May-2013 **Bypass:**
Shutoffs: ee,ff,ll,mm,oo,pp,tt,uu,zzz,ffff,gggg

Type: RP **Manufacturer:** Febco **Model:** 880
Size: 10 **Orientation:** VUVD **Meters:**
Manual: 8 **0.25% Pb:** No **Spare Parts Only:** Yes
Approved: 04-Oct-1996 **Renewed:** 04-Oct-2014 **Bypass:**
Shutoffs: ee,ff,ll,mm,oo,pp,tt,uu,zzz,ffff,gggg

Type: RP **Manufacturer:** Febco **Model:** 880V
Size: 2 1/2 **Orientation:** VUVD **Meters:**
Manual: 8 **0.25% Pb:** No **Spare Parts Only:** No
Approved: 30-Jun-1995 **Renewed:** 30-Jun-2013 **Bypass:**
Shutoffs: (ee),ff,ll,mm,oo,pp,tt,uu,nnn,zzz,cccc,ffff,gggg

Type: RP	Manufacturer: Febco	Model: 880V
Size: 2 1/2	Orientation: VUVU	Meters:
Manual: 8	0.25% Pb: No	Spare Parts Only: No
Approved: 30-Jun-1995	Renewed: 30-Jun-2013	Bypass:
Shutoffs: (ee),ff,ll,mm,oo,pp,tt,uu,nnn,zzz,cccc,ffff,gggg		

Type: RP	Manufacturer: Febco	Model: 880V
Size: 3	Orientation: VUVD	Meters:
Manual: 8	0.25% Pb: No	Spare Parts Only: No
Approved: 30-Jun-1995	Renewed: 30-Jun-2013	Bypass:
Shutoffs: (ee),ff,ll,mm,oo,pp,tt,uu,nnn,zzz,cccc,ffff,gggg		

Type: RP	Manufacturer: Febco	Model: 880V
Size: 3	Orientation: VUVU	Meters:
Manual: 8	0.25% Pb: No	Spare Parts Only: No
Approved: 30-Jun-1995	Renewed: 30-Jun-2013	Bypass:
Shutoffs: (ee),ff,ll,mm,oo,pp,tt,uu,nnn,zzz,cccc,ffff,gggg		

Type: RP	Manufacturer: Febco	Model: 880V
Size: 4	Orientation: VUVD	Meters:
Manual: 8	0.25% Pb: No	Spare Parts Only: No
Approved: 08-Aug-1995	Renewed: 08-Aug-2013	Bypass:
Shutoffs: (ee),ff,ll,mm,oo,pp,tt,uu,nnn,zzz,cccc,ffff,gggg		

Type: RP	Manufacturer: Febco	Model: 880V
Size: 4	Orientation: VUVU	Meters:
Manual: 8	0.25% Pb: No	Spare Parts Only: No
Approved: 08-Aug-1995	Renewed: 08-Aug-2013	Bypass:
Shutoffs: (ee),ff,ll,mm,oo,pp,tt,uu,nnn,zzz,cccc,ffff,gggg		

Type: RP	Manufacturer: Febco	Model: 880V
Size: 6	Orientation: VUVD	Meters:
Manual: 8	0.25% Pb: No	Spare Parts Only: No
Approved: 05-Jul-1995	Renewed: 05-Jul-2013	Bypass:
Shutoffs: (ee),ff,ll,mm,oo,pp,tt,uu,nnn,zzz,cccc,ffff,gggg		

Type: RP	Manufacturer: Febco	Model: 880V
Size: 6	Orientation: VUVU	Meters:
Manual: 8	0.25% Pb: No	Spare Parts Only: No
Approved: 05-Jul-1995	Renewed: 05-Jul-2013	Bypass:
Shutoffs: (ee),ff,ll,mm,oo,pp,tt,uu,nnn,zzz,cccc,ffff,gggg		

Type: RP	Manufacturer: Febco	Model: 880V
Size: 8	Orientation: VUVD	Meters:
Manual: 8	0.25% Pb: No	Spare Parts Only: No
Approved: 18-Dec-1996	Renewed: 18-Dec-2014	Bypass:
Shutoffs: (ee),ff,ll,mm,oo,pp,tt,uu,nnn,zzz,cccc,ffff,gggg		

Type: RP	Manufacturer: Febco	Model: 880V
Size: 8	Orientation: VUVU	Meters:
Manual: 8	0.25% Pb: No	Spare Parts Only: No
Approved: 18-Dec-1996	Renewed: 18-Dec-2014	Bypass:
Shutoffs: (ee),ff,ll,mm,oo,pp,tt,uu,nnn,zzz,cccc,ffff,gggg		

Type: RP	Manufacturer: Febco	Model: 880V
Size: 10	Orientation: VUVD	Meters:
Manual: 8	0.25% Pb: No	Spare Parts Only: No
Approved: 17-Jun-1997	Renewed: 17-Jun-2015	Bypass:
Shutoffs: (ee),ff,ll,mm,oo,pp,tt,uu,nnn,zzz,cccc,ffff,gggg		

Type: RP	Manufacturer: Febco	Model: 880V
Size: 10	Orientation: VUVU	Meters:
Manual: 8	0.25% Pb: No	Spare Parts Only: No
Approved: 17-Jun-1997	Renewed: 17-Jun-2015	Bypass:
Shutoffs: (ee),ff,ll,mm,oo,pp,tt,uu,nnn,zzz,cccc,ffff,gggg		

Type: RP	Manufacturer: Febco	Model: LF825Y
Size: 3/4	Orientation: H	Meters:
Manual: 8	0.25% Pb: Yes	Spare Parts Only: No
Approved: 18-Feb-2010	Renewed: 18-Feb-2013	Bypass:
Shutoffs: (hhhh)		

Type: RP	Manufacturer: Febco	Model: LF825Y
Size: 1	Orientation: H	Meters:
Manual: 8	0.25% Pb: Yes	Spare Parts Only: No
Approved: 18-Feb-2010	Renewed: 18-Feb-2013	Bypass:
Shutoffs: (hhhh)		

Type: RP	Manufacturer: Febco	Model: LF825Y
Size: 1 1/2	Orientation: H	Meters:
Manual: 8	0.25% Pb: Yes	Spare Parts Only: No
Approved: 25-Mar-2010	Renewed: 25-Mar-2013	Bypass:
Shutoffs: (hhhh)		

Type: RP	Manufacturer: Febco	Model: LF825Y
Size: 2	Orientation: H	Meters:
Manual: 8	0.25% Pb: Yes	Spare Parts Only: No
Approved: 25-Mar-2010	Renewed: 25-Mar-2013	Bypass:
Shutoffs: (hhhh)		

Type: RP	Manufacturer: Febco	Model: LF825YA
Size: 3/4	Orientation: H	Meters:
Manual: 8	0.25% Pb: Yes	Spare Parts Only: No
Approved: 18-Feb-2010	Renewed: 18-Feb-2013	Bypass:
Shutoffs: (hhhh)		

Type: RP	Manufacturer: Febco	Model: LF825YA
Size: 3/4	Orientation: HVD	Meters:
Manual: 8	0.25% Pb: Yes	Spare Parts Only: No
Approved: 18-Feb-2010	Renewed: 18-Feb-2013	Bypass:
Shutoffs: (hhhh)		

Type: RP	Manufacturer: Febco	Model: LF825YA
Size: 3/4	Orientation: VUH	Meters:
Manual: 8	0.25% Pb: Yes	Spare Parts Only: No
Approved: 18-Feb-2010	Renewed: 18-Feb-2013	Bypass:
Shutoffs: (hhhh)		

Type: RP	Manufacturer: Febco	Model: LF825YA
Size: 3/4	Orientation: VUVD	Meters:
Manual: 8	0.25% Pb: Yes	Spare Parts Only: No
Approved: 18-Feb-2010	Renewed: 18-Feb-2013	Bypass:
Shutoffs: (hhhh)		

Type: RP	Manufacturer: Febco	Model: LF825YA
Size: 1	Orientation: H	Meters:
Manual: 8	0.25% Pb: Yes	Spare Parts Only: No
Approved: 18-Feb-2010	Renewed: 18-Feb-2013	Bypass:
Shutoffs: (hhhh)		

Type: RP	Manufacturer: Febco	Model: LF825YA
Size: 1	Orientation: HVD	Meters:
Manual: 8	0.25% Pb: Yes	Spare Parts Only: No
Approved: 18-Feb-2010	Renewed: 18-Feb-2013	Bypass:
Shutoffs: (hhhh)		

Type: RP
Size: 1
Manual: 8
Approved: 18-Feb-2010
Shutoffs: (hhhh)

Manufacturer: Febco
Orientation: VUH
0.25% Pb: Yes
Renewed: 18-Feb-2013

Model: LF825YA
Meters:
Spare Parts Only: No
Bypass:

Type: RP
Size: 1
Manual: 8
Approved: 18-Feb-2010
Shutoffs: (hhhh)

Manufacturer: Febco
Orientation: VUVD
0.25% Pb: Yes
Renewed: 18-Feb-2013

Model: LF825YA
Meters:
Spare Parts Only: No
Bypass:

Type: RP
Size: 1 1/2
Manual: 8
Approved: 25-Mar-2010
Shutoffs: (hhhh)

Manufacturer: Febco
Orientation: H
0.25% Pb: Yes
Renewed: 25-Mar-2013

Model: LF825YA
Meters:
Spare Parts Only: No
Bypass:

Type: RP
Size: 1 1/2
Manual: 8
Approved: 25-Mar-2010
Shutoffs: (hhhh)

Manufacturer: Febco
Orientation: HVD
0.25% Pb: Yes
Renewed: 25-Mar-2013

Model: LF825YA
Meters:
Spare Parts Only: No
Bypass:

Type: RP
Size: 1 1/2
Manual: 8
Approved: 25-Mar-2010
Shutoffs: (hhhh)

Manufacturer: Febco
Orientation: VUH
0.25% Pb: Yes
Renewed: 25-Mar-2013

Model: LF825YA
Meters:
Spare Parts Only: No
Bypass:

Type: RP
Size: 1 1/2
Manual: 8
Approved: 25-Mar-2010
Shutoffs: (hhhh)

Manufacturer: Febco
Orientation: VUVD
0.25% Pb: Yes
Renewed: 25-Mar-2013

Model: LF825YA
Meters:
Spare Parts Only: No
Bypass:

Type: RP
Size: 2
Manual: 8
Approved: 25-Mar-2010
Shutoffs: (hhhh)

Manufacturer: Febco
Orientation: H
0.25% Pb: Yes
Renewed: 25-Mar-2013

Model: LF825YA
Meters:
Spare Parts Only: No
Bypass:

Type: RP	Manufacturer: Febco	Model: LF825YA
Size: 2	Orientation: HVD	Meters:
Manual: 8	0.25% Pb: Yes	Spare Parts Only: No
Approved: 25-Mar-2010	Renewed: 25-Mar-2013	Bypass:
Shutoffs: (hhhh)		

Type: RP	Manufacturer: Febco	Model: LF825YA
Size: 2	Orientation: VUH	Meters:
Manual: 8	0.25% Pb: Yes	Spare Parts Only: No
Approved: 25-Mar-2010	Renewed: 25-Mar-2013	Bypass:
Shutoffs: (hhhh)		

Type: RP	Manufacturer: Febco	Model: LF825YA
Size: 2	Orientation: VUVD	Meters:
Manual: 8	0.25% Pb: Yes	Spare Parts Only: No
Approved: 25-Mar-2010	Renewed: 25-Mar-2013	Bypass:
Shutoffs: (hhhh)		

Type: RP	Manufacturer: Febco	Model: LF860
Size: 1/2	Orientation: H	Meters:
Manual: 9	0.25% Pb: Yes	Spare Parts Only: No
Approved: 18-Feb-2010	Renewed: 18-Feb-2013	Bypass:
Shutoffs: (qqqqq), hhhh		

Type: RP	Manufacturer: Febco	Model: LF860
Size: 3/4	Orientation: H	Meters:
Manual: 9	0.25% Pb: Yes	Spare Parts Only: No
Approved: 18-Feb-2010	Renewed: 18-Feb-2013	Bypass:
Shutoffs: (qqqqq), hhhh		

Type: RP	Manufacturer: Febco	Model: LF860
Size: 1	Orientation: H	Meters:
Manual: 9	0.25% Pb: Yes	Spare Parts Only: No
Approved: 18-Feb-2010	Renewed: 18-Feb-2013	Bypass:
Shutoffs: (qqqqq), hhhh		

Type: RP	Manufacturer: Febco	Model: LF860
Size: 1 1/4	Orientation: H	Meters:
Manual: 9	0.25% Pb: Yes	Spare Parts Only: No
Approved: 18-Feb-2010	Renewed: 18-Feb-2013	Bypass:
Shutoffs: (qqqqq), hhhh		

Type: RP
Size: 1 1/2
Manual: 9
Approved: 18-Feb-2010
Shutoffs: (qqqqq), hhhh

Manufacturer: Febco
Orientation: H
0.25% Pb: Yes
Renewed: 18-Feb-2013

Model: LF860
Meters:
Spare Parts Only: No
Bypass:

Type: RP
Size: 2
Manual: 9
Approved: 18-Feb-2010
Shutoffs: (qqqqq), hhhh

Manufacturer: Febco
Orientation: H
0.25% Pb: Yes
Renewed: 18-Feb-2013

Model: LF860
Meters:
Spare Parts Only: No
Bypass:

Type: RP
Size: 2 1/2
Manual: 9
Approved: 28-May-2013
Shutoffs: (ll), mm

Manufacturer: Febco
Orientation: H
0.25% Pb: Yes
Renewed:

Model: LF860
Meters:
Spare Parts Only: No
Bypass:

Type: RP
Size: 3
Manual: 9
Approved: 28-May-2013
Shutoffs: (ll), mm

Manufacturer: Febco
Orientation: H
0.25% Pb: Yes
Renewed:

Model: LF860
Meters:
Spare Parts Only: No
Bypass:

Type: RP
Size: 4
Manual: 9
Approved: 14-Jun-2013
Shutoffs: (ll), mm

Manufacturer: Febco
Orientation: H
0.25% Pb: Yes
Renewed:

Model: LF860
Meters:
Spare Parts Only: No
Bypass:

Type: RP
Size: 6
Manual: 9
Approved: 14-Jun-2013
Shutoffs: (ll), mm

Manufacturer: Febco
Orientation: H
0.25% Pb: Yes
Renewed:

Model: LF860
Meters:
Spare Parts Only: No
Bypass:

Type: RP
Size: 8
Manual: 9
Approved: 03-Sep-2013
Shutoffs: (ll), mm

Manufacturer: Febco
Orientation: H
0.25% Pb: Yes
Renewed:

Model: LF860
Meters:
Spare Parts Only: No
Bypass:

Type: RP
Size: 10
Manual: 9
Approved: 25-Sep-2013
Shutoffs: (ll), mm

Manufacturer: Febco
Orientation: H
0.25% Pb: Yes
Renewed:

Model: LF860
Meters:
Spare Parts Only: No
Bypass:

Type: RP
Size: 1/2
Manual: 9
Approved: 03-Sep-2013
Shutoffs: (ppppp), hhhh

Manufacturer: Febco
Orientation: H
0.25% Pb: Yes
Renewed:

Model: LF860U
Meters:
Spare Parts Only: No
Bypass:

Type: RP
Size: 3/4
Manual: 9
Approved: 03-Sep-2013
Shutoffs: (ppppp), hhhh

Manufacturer: Febco
Orientation: H
0.25% Pb: Yes
Renewed:

Model: LF860U
Meters:
Spare Parts Only: No
Bypass:

Type: RP
Size: 1
Manual: 9
Approved: 03-Sep-2013
Shutoffs: (ppppp), hhhh

Manufacturer: Febco
Orientation: H
0.25% Pb: Yes
Renewed:

Model: LF860U
Meters:
Spare Parts Only: No
Bypass:

Type: RP
Size: 1 1/4
Manual: 9
Approved: 03-Sep-2013
Shutoffs: (ppppp), hhhh

Manufacturer: Febco
Orientation: H
0.25% Pb: Yes
Renewed:

Model: LF860U
Meters:
Spare Parts Only: No
Bypass:

Type: RP
Size: 1 1/2
Manual: 9
Approved: 03-Sep-2013
Shutoffs: (ppppp), hhhh

Manufacturer: Febco
Orientation: H
0.25% Pb: Yes
Renewed:

Model: LF860U
Meters:
Spare Parts Only: No
Bypass:

Type: RP
Size: 2
Manual: 9
Approved: 03-Sep-2013
Shutoffs: (ppppp), hhhh

Manufacturer: Febco
Orientation: H
0.25% Pb: Yes
Renewed:

Model: LF860U
Meters:
Spare Parts Only: No
Bypass:

Type: RP
Size: 2 1/2
Manual: 9
Approved: 28-May-2013
Shutoffs: (II), mm

Manufacturer: Febco
Orientation: VUVD
0.25% Pb: Yes
Renewed:

Model: LF880V
Meters:
Spare Parts Only: No
Bypass:

Type: RP
Size: 2 1/2
Manual: 9
Approved: 28-May-2013
Shutoffs: (II), mm

Manufacturer: Febco
Orientation: VUVU
0.25% Pb: Yes
Renewed:

Model: LF880V
Meters:
Spare Parts Only: No
Bypass:

Type: RP
Size: 3
Manual: 9
Approved: 28-May-2013
Shutoffs: (II), mm

Manufacturer: Febco
Orientation: VUVD
0.25% Pb: Yes
Renewed:

Model: LF880V
Meters:
Spare Parts Only: No
Bypass:

Type: RP
Size: 3
Manual: 9
Approved: 28-May-2013
Shutoffs: (II), mm

Manufacturer: Febco
Orientation: VUVU
0.25% Pb: Yes
Renewed:

Model: LF880V
Meters:
Spare Parts Only: No
Bypass:

Type: RP
Size: 4
Manual: 9
Approved: 28-May-2013
Shutoffs: (II), mm

Manufacturer: Febco
Orientation: VUVD
0.25% Pb: Yes
Renewed:

Model: LF880V
Meters:
Spare Parts Only: No
Bypass:

Type: RP
Size: 4
Manual: 9
Approved: 28-May-2013
Shutoffs: (II), mm

Manufacturer: Febco
Orientation: VUVU
0.25% Pb: Yes
Renewed:

Model: LF880V
Meters:
Spare Parts Only: No
Bypass:

Type: RP
Size: 6
Manual: 9
Approved: 03-Sep-2013
Shutoffs: (II), mm

Manufacturer: Febco
Orientation: VUVD
0.25% Pb: Yes
Renewed:

Model: LF880V
Meters:
Spare Parts Only: No
Bypass:

Type: RP
Size: 6
Manual: 9
Approved: 03-Sep-2013
Shutoffs: (II), mm

Manufacturer: Febco
Orientation: VUVU
0.25% Pb: Yes
Renewed:

Model: LF880V
Meters:
Spare Parts Only: No
Bypass:

Type: RP
Size: 8
Manual: 9
Approved: 26-Nov-2013
Shutoffs: (II), mm

Manufacturer: Febco
Orientation: VUVD
0.25% Pb: Yes
Renewed:

Model: LF880V
Meters:
Spare Parts Only: No
Bypass:

Type: RP
Size: 8
Manual: 9
Approved: 26-Nov-2013
Shutoffs: (II), mm

Manufacturer: Febco
Orientation: VUVU
0.25% Pb: Yes
Renewed:

Model: LF880V
Meters:
Spare Parts Only: No
Bypass:

Type: RP
Size: 3/4
Manual: 8
Approved: 07-Jun-1994
Shutoffs: ii

Manufacturer: Flomatic
Orientation: H
0.25% Pb: No
Renewed: 17-Jun-2015

Model: RPZ
Meters:
Spare Parts Only: Yes
Bypass:

Type: RP
Size: 1
Manual: 8
Approved: 07-Jun-1994
Shutoffs: ii

Manufacturer: Flomatic
Orientation: H
0.25% Pb: No
Renewed: 17-Jun-2015

Model: RPZ
Meters:
Spare Parts Only: Yes
Bypass:

Type: RP
Size: 1 1/2
Manual: 8
Approved: 10-May-1995
Shutoffs: ii

Manufacturer: Flomatic
Orientation: H
0.25% Pb: No
Renewed: 10-May-2013

Model: RPZ
Meters:
Spare Parts Only: Yes
Bypass:

Type: RP
Size: 2
Manual: 8
Approved: 10-May-1995
Shutoffs: ii

Manufacturer: Flomatic
Orientation: H
0.25% Pb: No
Renewed: 10-May-2013

Model: RPZ
Meters:
Spare Parts Only: Yes
Bypass:

Type: RP	Manufacturer: Flomatic	Model: RPZ
Size: 2 1/2	Orientation: H	Meters:
Manual: 8	0.25% Pb: No	Spare Parts Only: Yes
Approved: 14-Feb-1997	Renewed: 14-Feb-2015	Bypass:
Shutoffs: (gg),hh,jj,kk,ll,mm,yy,zz,ccc,ddd		
Type: RP	Manufacturer: Flomatic	Model: RPZ
Size: 3	Orientation: H	Meters:
Manual: 8	0.25% Pb: No	Spare Parts Only: Yes
Approved: 14-Feb-1997	Renewed: 14-Feb-2015	Bypass:
Shutoffs: (gg),hh,jj,kk,ll,mm,yy,zz,ccc,ddd		
Type: RP	Manufacturer: Flomatic	Model: RPZ
Size: 4	Orientation: H	Meters:
Manual: 9	0.25% Pb: No	Spare Parts Only: Yes
Approved: 28-Jan-1999	Renewed: 28-Jan-2013	Bypass:
Shutoffs: (gg),hh,jj,kk,ll,mm,yy,zz,ccc,ddd		
Type: RP	Manufacturer: Flomatic	Model: RPZ
Size: 4	Orientation: H	Meters:
Manual: 9	0.25% Pb: Yes	Spare Parts Only: Yes
Approved: 28-Jan-1999	Renewed: 28-Jan-2013	Bypass:
Shutoffs: ddddd		
Type: RP	Manufacturer: Flomatic	Model: RPZ
Size: 6	Orientation: H	Meters:
Manual: 9	0.25% Pb: No	Spare Parts Only: Yes
Approved: 31-Jan-2002	Renewed: 31-Jan-2014	Bypass:
Shutoffs: (gg),hh,jj,kk,ll,mm,yy,zz,ccc,ddd		
Type: RP	Manufacturer: Flomatic	Model: RPZ
Size: 6	Orientation: H	Meters:
Manual: 9	0.25% Pb: Yes	Spare Parts Only: Yes
Approved: 31-Jan-2002	Renewed: 31-Jan-2014	Bypass:
Shutoffs: ddddd		
Type: RP	Manufacturer: Flomatic	Model: RPZ
Size: 8	Orientation: H	Meters:
Manual: 9	0.25% Pb: No	Spare Parts Only: Yes
Approved: 05-Feb-2005	Renewed: 05-Feb-2014	Bypass:
Shutoffs: (gg), hh, jj, kk, ll, mm, yy, zz, ccc, ddd		

Type: RP
Size: 3/4
Manual: 8
Approved: 07-Jun-2001
Shutoffs: (hhhhh)

Manufacturer: Flomatic
Orientation: H
0.25% Pb: Yes
Renewed: 07-Jun-2013

Model: RPZE
Meters:
Spare Parts Only: Yes
Bypass:

Type: RP
Size: 1
Manual: 8
Approved: 07-Jun-2001
Shutoffs: (hhhhh)

Manufacturer: Flomatic
Orientation: H
0.25% Pb: Yes
Renewed: 07-Jun-2013

Model: RPZE
Meters:
Spare Parts Only: Yes
Bypass:

Type: RP
Size: 1 1/2
Manual: 8
Approved: 07-Jun-2001
Shutoffs: (hhhhh)

Manufacturer: Flomatic
Orientation: H
0.25% Pb: Yes
Renewed: 07-Jun-2013

Model: RPZE
Meters:
Spare Parts Only: Yes
Bypass:

Type: RP
Size: 2
Manual: 8
Approved: 07-Jun-2001
Shutoffs: (hhhhh)

Manufacturer: Flomatic
Orientation: H
0.25% Pb: Yes
Renewed: 07-Jun-2013

Model: RPZE
Meters:
Spare Parts Only: Yes
Bypass:

Type: RP
Size: 1/2
Manual: 8
Approved: 07-Jun-2001
Shutoffs: (hhhhh)
Notes: formerly RPZIIE

Manufacturer: Flomatic
Orientation: H
0.25% Pb: Yes
Renewed: 07-Jun-2013

Model: RPZE II
Meters:
Spare Parts Only: Yes
Bypass:

Type: RP
Size: 3/4
Manual: 8
Approved: 07-Jun-2001
Shutoffs: (hhhhh)
Notes: formerly RPZIIE

Manufacturer: Flomatic
Orientation: H
0.25% Pb: Yes
Renewed: 07-Jun-2013

Model: RPZE II
Meters:
Spare Parts Only: Yes
Bypass:

Type: RP **Manufacturer:** Flomatic **Model:** RPZII
Size: 1/2 **Orientation:** H **Meters:**
Manual: 8 **0.25% Pb:** No **Spare Parts Only:** Yes
Approved: 15-Aug-1997 **Renewed:** 15-Aug-2015 **Bypass:**
Shutoffs: ii

Type: RP **Manufacturer:** Flomatic **Model:** RPZII
Size: 3/4 **Orientation:** H **Meters:**
Manual: 8 **0.25% Pb:** No **Spare Parts Only:** Yes
Approved: 15-Aug-1997 **Renewed:** 15-Aug-2015 **Bypass:**
Shutoffs: ii

Type: RP **Manufacturer:** Flomatic **Model:** RPZII E
Size: 1/2 **Orientation:** **Meters:**
Manual: **0.25% Pb:** No **Spare Parts Only:** No
Approved: **Renewed:** **Bypass:**
Notes: model designation changed to RPZE II

Type: RP **Manufacturer:** Flomatic **Model:** RPZII E
Size: 3/4 **Orientation:** **Meters:**
Manual: **0.25% Pb:** No **Spare Parts Only:** No
Approved: **Renewed:** **Bypass:**
Notes: model designation changed to RPZE II

Type: RP **Manufacturer:** Neptune **Model:**
Size: **Orientation:** **Meters:**
Manual: **0.25% Pb:** No **Spare Parts Only:** No
Approved: **Renewed:** **Bypass:**
Notes: See Wilkins

Type: RP **Manufacturer:** Watts **Model:** 009
Size: 2 1/2 **Orientation:** H **Meters:**
Manual: 8 **0.25% Pb:** No **Spare Parts Only:** No
Approved: 31-Aug-1990 **Renewed:** 31-Aug-2014 **Bypass:**
Shutoffs: (oo),gg,hh,ll,mm,pp,tt,uu,yy,fff,gggg

Type: RP **Manufacturer:** Watts **Model:** 009
Size: 3 **Orientation:** H **Meters:**
Manual: 8 **0.25% Pb:** No **Spare Parts Only:** No
Approved: 31-Aug-1990 **Renewed:** 31-Aug-2014 **Bypass:**
Shutoffs: (oo),gg,hh,ll,mm,pp,tt,uu,yy,eee,fff,gggg

Type: RP
Size: 1 1/4
Manual: 8
Approved: 27-Sep-1994
Shutoffs: vv,xx,ooo,hhhh,pppp,rrrr

Manufacturer: Watts
Orientation: H
0.25% Pb: No
Renewed: 27-Sep-2015

Model: 009M1PCQT
Meters:
Spare Parts Only: Yes
Bypass:

Type: RP
Size: 1 1/2
Manual: 8
Approved: 27-Sep-1994
Shutoffs: vv,xx,ooo,hhhh,pppp,rrrr

Manufacturer: Watts
Orientation: H
0.25% Pb: No
Renewed: 27-Sep-2015

Model: 009M1PCQT
Meters:
Spare Parts Only: Yes
Bypass:

Type: RP
Size: 2
Manual: 8
Approved: 27-Sep-1994
Shutoffs: vv,xx,ooo,hhhh,pppp,rrrr

Manufacturer: Watts
Orientation: H
0.25% Pb: No
Renewed: 27-Sep-2015

Model: 009M1PCQT
Meters:
Spare Parts Only: Yes
Bypass:

Type: RP
Size: 1 1/4
Manual: 8
Approved: 30-Jun-1992
Shutoffs: vv,xx,ooo,hhhh,pppp,rrrr

Manufacturer: Watts
Orientation: H
0.25% Pb: No
Renewed: 30-Jun-2013

Model: 009M1QT
Meters:
Spare Parts Only: Yes
Bypass:

Type: RP
Size: 1 1/2
Manual: 8
Approved: 30-Jun-1992
Shutoffs: vv,xx,ooo,hhhh,pppp,rrrr

Manufacturer: Watts
Orientation: H
0.25% Pb: No
Renewed: 30-Jun-2013

Model: 009M1QT
Meters:
Spare Parts Only: Yes
Bypass:

Type: RP
Size: 2
Manual: 8
Approved: 19-Dec-1991
Shutoffs: vv,xx,ooo,hhhh,pppp,rrrr

Manufacturer: Watts
Orientation: H
0.25% Pb: No
Renewed: 19-Dec-2012

Model: 009M1QT
Meters:
Spare Parts Only: Yes
Bypass:

Type: RP
Size: 1
Manual: 9
Approved: 01-Sep-2009
Shutoffs: (eeee)

Manufacturer: Watts
Orientation: H
0.25% Pb: No
Renewed: 01-Sep-2015

Model: 009M2-FP
Meters:
Spare Parts Only: No
Bypass:

Type: RP **Manufacturer:** Watts **Model:** 009M2-FP
Size: 1 1/4 **Orientation:** H **Meters:**
Manual: 9 **0.25% Pb:** No **Spare Parts Only:** No
Approved: 01-Sep-2009 **Renewed:** 01-Sep-2015 **Bypass:**
Shutoffs: (eeee)

Type: RP **Manufacturer:** Watts **Model:** 009M2-FP
Size: 1 1/2 **Orientation:** H **Meters:**
Manual: 9 **0.25% Pb:** No **Spare Parts Only:** No
Approved: 01-Sep-2009 **Renewed:** 01-Sep-2015 **Bypass:**
Shutoffs: (eeee)

Type: RP **Manufacturer:** Watts **Model:** 009M2-FP
Size: 2 **Orientation:** H **Meters:**
Manual: 9 **0.25% Pb:** No **Spare Parts Only:** No
Approved: 01-Sep-2009 **Renewed:** 01-Sep-2015 **Bypass:**
Shutoffs: (eeee)

Type: RP **Manufacturer:** Watts **Model:** 009M2PCQT
Size: 3/4 **Orientation:** H **Meters:**
Manual: 8 **0.25% Pb:** No **Spare Parts Only:** No
Approved: 07-Oct-2002 **Renewed:** 07-Oct-2014 **Bypass:**
Shutoffs: (vv),xx,ooo,hhhh,pppp,rrrr

Type: RP **Manufacturer:** Watts **Model:** 009M2PCQT
Size: 1 **Orientation:** H **Meters:**
Manual: 9 **0.25% Pb:** No **Spare Parts Only:** No
Approved: 15-Jan-1999 **Renewed:** 15-Jan-2014 **Bypass:**
Shutoffs: (vv),xx,ooo,hhhh,pppp,rrrr

Type: RP **Manufacturer:** Watts **Model:** 009M2PCQT
Size: 1 1/4 **Orientation:** H **Meters:**
Manual: 8 **0.25% Pb:** No **Spare Parts Only:** No
Approved: 12-Sep-1994 **Renewed:** 12-Sep-2015 **Bypass:**
Shutoffs: (vv),xx,ooo,hhhh,pppp,rrrr

Type: RP **Manufacturer:** Watts **Model:** 009M2PCQT
Size: 1 1/2 **Orientation:** H **Meters:**
Manual: 8 **0.25% Pb:** No **Spare Parts Only:** No
Approved: 12-Sep-1994 **Renewed:** 12-Sep-2015 **Bypass:**
Shutoffs: (vv),xx,ooo,hhhh,pppp,rrrr

Type: RP **Manufacturer:** Watts **Model:** 009M2PCQT
Size: 2 **Orientation:** H **Meters:**
Manual: 9 **0.25% Pb:** No **Spare Parts Only:** No
Approved: 26-Aug-1997 **Renewed:** 26-Aug-2015 **Bypass:**
Shutoffs: (vv),xx,ooo,hhhh,pppp,rrrr

Type: RP **Manufacturer:** Watts **Model:** 009M2QT
Size: 3/4 **Orientation:** H **Meters:**
Manual: 8 **0.25% Pb:** No **Spare Parts Only:** No
Approved: 31-Oct-1992 **Renewed:** 31-Oct-2013 **Bypass:**
Shutoffs: (vv),xx,ooo,hhhh,pppp,rrrr

Type: RP **Manufacturer:** Watts **Model:** 009M2QT
Size: 1 **Orientation:** H **Meters:**
Manual: 9 **0.25% Pb:** No **Spare Parts Only:** No
Approved: 18-May-1998 **Renewed:** 18-May-2013 **Bypass:**
Shutoffs: (vv),xx,ooo,hhhh,pppp,rrrr

Type: RP **Manufacturer:** Watts **Model:** 009M2QT
Size: 1 1/4 **Orientation:** H **Meters:**
Manual: 8 **0.25% Pb:** No **Spare Parts Only:** No
Approved: 24-Aug-1993 **Renewed:** 24-Aug-2014 **Bypass:**
Shutoffs: (vv),xx,ooo,hhhh,pppp,rrrr

Type: RP **Manufacturer:** Watts **Model:** 009M2QT
Size: 1 1/2 **Orientation:** H **Meters:**
Manual: 8 **0.25% Pb:** No **Spare Parts Only:** No
Approved: 24-Aug-1993 **Renewed:** 24-Aug-2014 **Bypass:**
Shutoffs: (vv),xx,ooo,hhhh,pppp,rrrr

Type: RP **Manufacturer:** Watts **Model:** 009M2QT
Size: 2 **Orientation:** H **Meters:**
Manual: 9 **0.25% Pb:** No **Spare Parts Only:** No
Approved: 10-Sep-1996 **Renewed:** 10-Sep-2014 **Bypass:**
Shutoffs: (vv),xx,ooo,hhhh,pppp,rrrr

Type: RP **Manufacturer:** Watts **Model:** 009M3-FP
Size: 3/4 **Orientation:** H **Meters:**
Manual: 9 **0.25% Pb:** No **Spare Parts Only:** No
Approved: 01-Sep-2009 **Renewed:** 01-Sep-2015 **Bypass:**
Shutoffs: (eeee)

Type: RP **Manufacturer:** Watts **Model:** 009M3QT
Size: 3/4 **Orientation:** H **Meters:**
Manual: 9 **0.25% Pb:** No **Spare Parts Only:** No
Approved: 18-Oct-1999 **Renewed:** 18-Oct-2014 **Bypass:**
Shutoffs: (vv),xx,ooo,hhhh,pppp,rrrrr

Type: RP **Manufacturer:** Watts **Model:** 009PCQT
Size: 1/2 **Orientation:** H **Meters:**
Manual: 8 **0.25% Pb:** No **Spare Parts Only:** No
Approved: 17-Feb-1995 **Renewed:** 17-Feb-2013 **Bypass:**
Shutoffs: (vv),xx,ooo,hhhh,pppp,rrrrr

Type: RP **Manufacturer:** Watts **Model:** 009PCQT
Size: 3/4 **Orientation:** H **Meters:**
Manual: 8 **0.25% Pb:** No **Spare Parts Only:** No
Approved: 10-Dec-1993 **Renewed:** 10-Dec-2014 **Bypass:**
Shutoffs: (vv),xx,ooo,hhhh,pppp,rrrrr

Type: RP **Manufacturer:** Watts **Model:** 009PCQT
Size: 1 **Orientation:** H **Meters:**
Manual: 8 **0.25% Pb:** No **Spare Parts Only:** Yes
Approved: 10-Dec-1993 **Renewed:** 10-Dec-2014 **Bypass:**
Shutoffs: vv,xx,ooo,hhhh,pppp,rrrrr

Type: RP **Manufacturer:** Watts **Model:** 009PCQT
Size: 1 1/4 **Orientation:** H **Meters:**
Manual: 8 **0.25% Pb:** No **Spare Parts Only:** Yes
Approved: 27-Sep-1994 **Renewed:** 27-Sep-2015 **Bypass:**
Shutoffs: vv,xx,ooo,hhhh,pppp,rrrrr

Type: RP **Manufacturer:** Watts **Model:** 009PCQT
Size: 1 1/2 **Orientation:** H **Meters:**
Manual: 8 **0.25% Pb:** No **Spare Parts Only:** Yes
Approved: 27-Sep-1994 **Renewed:** 27-Sep-2015 **Bypass:**
Shutoffs: vv,xx,ooo,hhhh,pppp,rrrrr

Type: RP **Manufacturer:** Watts **Model:** 009PCQT
Size: 2 **Orientation:** H **Meters:**
Manual: 8 **0.25% Pb:** No **Spare Parts Only:** Yes
Approved: 27-Sep-1994 **Renewed:** 27-Sep-2015 **Bypass:**
Shutoffs: vv,xx,ooo,hhhh,pppp,rrrrr

Type: RP **Manufacturer:** Watts **Model:** 009QT
Size: 1/4 **Orientation:** H **Meters:**
Manual: 8 **0.25% Pb:** No **Spare Parts Only:** No
Approved: 07-Aug-1995 **Renewed:** 07-Aug-2013 **Bypass:**
Shutoffs: (vv),xx,ooo,hhhh,pppp

Type: RP **Manufacturer:** Watts **Model:** 009QT
Size: 3/8 **Orientation:** H **Meters:**
Manual: 8 **0.25% Pb:** No **Spare Parts Only:** No
Approved: 07-Aug-1995 **Renewed:** 07-Aug-2013 **Bypass:**
Shutoffs: (vv),xx,ooo,hhhh,pppp

Type: RP **Manufacturer:** Watts **Model:** 009QT
Size: 1/2 **Orientation:** H **Meters:**
Manual: 9 **0.25% Pb:** No **Spare Parts Only:** No
Approved: 10-Sep-1996 **Renewed:** 10-Sep-2014 **Bypass:**
Shutoffs: (vv),xx,ooo,hhhh,pppp,rrrr
Notes: Previously approved 8th Ed. 26 May 1993

Type: RP **Manufacturer:** Watts **Model:** 009QT
Size: 3/4 **Orientation:** H **Meters:**
Manual: 7 **0.25% Pb:** No **Spare Parts Only:** No
Approved: 11-Jan-1988 **Renewed:** 11-Jan-2015 **Bypass:**
Shutoffs: (vv),xx,ooo,hhhh,pppp,rrrr

Type: RP **Manufacturer:** Watts **Model:** 009QT
Size: 1 **Orientation:** H **Meters:**
Manual: 7 **0.25% Pb:** No **Spare Parts Only:** Yes
Approved: 11-Jan-1988 **Renewed:** 11-Jan-2015 **Bypass:**
Shutoffs: vv,xx,ooo,hhhh,pppp,rrrr

Type: RP **Manufacturer:** Watts **Model:** 009QT
Size: 1 1/4 **Orientation:** H **Meters:**
Manual: 7 **0.25% Pb:** No **Spare Parts Only:** Yes
Approved: 09-Aug-1988 **Renewed:** 09-Aug-2015 **Bypass:**
Shutoffs: vv,xx,ooo,hhhh,pppp,rrrr

Type: RP
Size: 1 1/2
Manual: 7
Approved: 09-Aug-1988
Shutoffs: vv,xx,ooo,hhhh,pppp,rrrr

Manufacturer: Watts
Orientation: H
0.25% Pb: No
Renewed: 09-Aug-2015

Model: 009QT
Meters:
Spare Parts Only: Yes
Bypass:

Type: RP
Size: 2
Manual: 7
Approved: 09-Aug-1988
Shutoffs: vv,xx,ooo,hhhh,pppp,rrrr

Manufacturer: Watts
Orientation: H
0.25% Pb: No
Renewed: 09-Aug-2015

Model: 009QT
Meters:
Spare Parts Only: Yes
Bypass:

Type: RP
Size: 2
Manual: 8
Approved: 27-Sep-1994
Shutoffs: vv,xx,pppp

Manufacturer: Watts
Orientation: H
0.25% Pb: No
Renewed: 27-Sep-2015

Model: 009SSM1PCQT
Meters:
Spare Parts Only: Yes
Bypass:

Type: RP
Size: 2
Manual: 8
Approved: 19-Dec-1991
Shutoffs: vv,xx,pppp

Manufacturer: Watts
Orientation: H
0.25% Pb: No
Renewed: 19-Dec-2012

Model: 009SSM1QT
Meters:
Spare Parts Only: Yes
Bypass:

Type: RP
Size: 3/4
Manual: 8
Approved: 10-Dec-1993
Shutoffs: vv,xx,pppp

Manufacturer: Watts
Orientation: H
0.25% Pb: No
Renewed: 10-Dec-2014

Model: 009SSPCQT
Meters:
Spare Parts Only: Yes
Bypass:

Type: RP
Size: 1
Manual: 8
Approved: 10-Dec-1993
Shutoffs: vv,xx,pppp

Manufacturer: Watts
Orientation: H
0.25% Pb: No
Renewed: 10-Dec-2014

Model: 009SSPCQT
Meters:
Spare Parts Only: Yes
Bypass:

Type: RP
Size: 1 1/4
Manual: 8
Approved: 27-Sep-1994
Shutoffs: vv,xx,pppp

Manufacturer: Watts
Orientation: H
0.25% Pb: No
Renewed: 27-Sep-2015

Model: 009SSPCQT
Meters:
Spare Parts Only: Yes
Bypass:

Type: RP **Manufacturer:** Watts **Model:** 009SSPCQT
Size: 1 1/2 **Orientation:** H **Meters:**
Manual: 8 **0.25% Pb:** No **Spare Parts Only:** Yes
Approved: 27-Sep-1994 **Renewed:** 27-Sep-2015 **Bypass:**
Shutoffs: vv,xx,pppp

Type: RP **Manufacturer:** Watts **Model:** 009SSPCQT
Size: 2 **Orientation:** H **Meters:**
Manual: 8 **0.25% Pb:** No **Spare Parts Only:** Yes
Approved: 27-Sep-1994 **Renewed:** 27-Sep-2015 **Bypass:**
Shutoffs: vv,xx,pppp

Type: RP **Manufacturer:** Watts **Model:** 009SSQT
Size: 3/4 **Orientation:** H **Meters:**
Manual: 7 **0.25% Pb:** No **Spare Parts Only:** Yes
Approved: 11-Jan-1988 **Renewed:** 11-Jan-2015 **Bypass:**
Shutoffs: vv,xx,pppp

Type: RP **Manufacturer:** Watts **Model:** 009SSQT
Size: 1 **Orientation:** H **Meters:**
Manual: 7 **0.25% Pb:** No **Spare Parts Only:** Yes
Approved: 11-Jan-1988 **Renewed:** 11-Jan-2015 **Bypass:**
Shutoffs: vv,xx,pppp

Type: RP **Manufacturer:** Watts **Model:** 009SSQT
Size: 1 1/4 **Orientation:** H **Meters:**
Manual: 7 **0.25% Pb:** No **Spare Parts Only:** Yes
Approved: 09-Aug-1988 **Renewed:** 09-Aug-2015 **Bypass:**
Shutoffs: vv,xx,pppp

Type: RP **Manufacturer:** Watts **Model:** 009SSQT
Size: 1 1/2 **Orientation:** H **Meters:**
Manual: 7 **0.25% Pb:** No **Spare Parts Only:** Yes
Approved: 09-Aug-1988 **Renewed:** 09-Aug-2015 **Bypass:**
Shutoffs: vv,xx,pppp

Type: RP **Manufacturer:** Watts **Model:** 009SSQT
Size: 2 **Orientation:** H **Meters:**
Manual: 7 **0.25% Pb:** No **Spare Parts Only:** Yes
Approved: 09-Aug-1988 **Renewed:** 09-Aug-2015 **Bypass:**
Shutoffs: vv,xx,pppp

Type: RP **Manufacturer:** Watts **Model:** 909
Size: 2 1/2 **Orientation:** H **Meters:**
Manual: 7 **0.25% Pb:** No **Spare Parts Only:** No
Approved: 12-Jun-1986 **Renewed:** 12-Jun-2013 **Bypass:**
Shutoffs: (oo),gg,hh,ll,mm,pp,tt,uu,ww,yy,fff,gggg

Type: RP **Manufacturer:** Watts **Model:** 909
Size: 3 **Orientation:** H **Meters:**
Manual: 7 **0.25% Pb:** No **Spare Parts Only:** No
Approved: 12-Jun-1986 **Renewed:** 12-Jun-2013 **Bypass:**
Shutoffs: (oo),gg,hh,ll,mm,pp,tt,uu,ww,yy,eee,fff,gggg
Notes: formerly 909NRS/909OSY/909NRSRW/909OSYRW/909RW

Type: RP **Manufacturer:** Watts **Model:** 909
Size: 4 **Orientation:** H **Meters:**
Manual: 6 **0.25% Pb:** No **Spare Parts Only:** No
Approved: 15-Jan-1982 **Renewed:** 15-Jan-2015 **Bypass:**
Shutoffs: (oo),gg,hh,ll,mm,pp,tt,uu,ww,yy,eee,fff,gggg
Notes: formerly 909NRS/909OSY/909NRSRW/909OSYRW/909RW

Type: RP **Manufacturer:** Watts **Model:** 909
Size: 6 **Orientation:** H **Meters:**
Manual: 6 **0.25% Pb:** No **Spare Parts Only:** No
Approved: 06-Jul-1981 **Renewed:** 06-Jul-2014 **Bypass:**
Shutoffs: (oo),gg,hh,ll,mm,pp,tt,uu,ww,yy,eee,fff,gggg
Notes: formerly 909NRS/909OSY/909NRSRW/909OSYRW/909RW

Type: RP **Manufacturer:** Watts **Model:** 909
Size: 8 **Orientation:** H **Meters:**
Manual: 6 **0.25% Pb:** No **Spare Parts Only:** Yes
Approved: 06-Jul-1981 **Renewed:** 06-Jul-2014 **Bypass:**
Notes: formerly 909NRS/909OSY/909NRSRW/909OSYRW/909RW

Type: RP **Manufacturer:** Watts **Model:** 909
Size: 10 **Orientation:** H **Meters:**
Manual: 6 **0.25% Pb:** No **Spare Parts Only:** Yes
Approved: 06-Jul-1981 **Renewed:** 06-Jul-2014 **Bypass:**
Notes: formerly 909NRS/909OSY/909NRSRW/909OSYRW/909RW

Type: RP **Manufacturer:** Watts **Model:** 909BB
Size: 2 1/2 **Orientation:** H **Meters:**
Manual: 6 **0.25% Pb:** No **Spare Parts Only:** No
Approved: 04-Feb-1983 **Renewed:** 04-Feb-2013 **Bypass:**
Shutoffs: (oo),gg,hh,ll,mm,pp,tt,uu,yy,ffff,gggg

Type: RP **Manufacturer:** Watts **Model:** 909BB
Size: 3 **Orientation:** H **Meters:**
Manual: 6 **0.25% Pb:** No **Spare Parts Only:** No
Approved: 04-Feb-1983 **Renewed:** 04-Feb-2013 **Bypass:**
Shutoffs: (oo),gg,hh,ll,mm,pp,tt,uu,yy,ffff,gggg

Type: RP **Manufacturer:** Watts **Model:** 909HWQT
Size: 3/4 **Orientation:** H **Meters:**
Manual: 5 **0.25% Pb:** No **Spare Parts Only:** No
Approved: 29-Sep-1979 **Renewed:** 29-Sep-2015 **Bypass:**
Shutoffs: (vv),xx,ooo,hhhh,pppp,rrrr

Type: RP **Manufacturer:** Watts **Model:** 909HWQT
Size: 1 **Orientation:** H **Meters:**
Manual: 5 **0.25% Pb:** No **Spare Parts Only:** No
Approved: 29-Sep-1979 **Renewed:** 29-Sep-2015 **Bypass:**
Shutoffs: (vv),xx,ooo,hhhh,pppp,rrrr

Type: RP **Manufacturer:** Watts **Model:** 909HWQT
Size: 1 1/4 **Orientation:**
Manual: **0.25% Pb:** No **Spare Parts Only:** No
Approved: **Renewed:** **Bypass:**
Notes: model designation changed to 909M1HWQT

Type: RP **Manufacturer:** Watts **Model:** 909HWQT
Size: 1 1/2 **Orientation:**
Manual: **0.25% Pb:** No **Spare Parts Only:** No
Approved: **Renewed:** **Bypass:**
Notes: model designation changed to 909M1HWQT

Type: RP **Manufacturer:** Watts **Model:** 909HWQT
Size: 2 **Orientation:**
Manual: **0.25% Pb:** No **Spare Parts Only:** No
Approved: **Renewed:** **Bypass:**
Notes: model designation changed to 909M1HWQT

Type: RP **Manufacturer:** Watts **Model:** 909M1
Size: 8 **Orientation:** H **Meters:**
Manual: 8 **0.25% Pb:** No **Spare Parts Only:** No
Approved: 01-May-1989 **Renewed:** 01-May-2013 **Bypass:**
Shutoffs: (oo),gg,hh,ll,mm,pp,tt,uu,yy,ww,ffff,gggg

Type: RP **Manufacturer:** Watts **Model:** 909M1
Size: 10 **Orientation:** H **Meters:**
Manual: 8 **0.25% Pb:** No **Spare Parts Only:** No
Approved: 01-May-1989 **Renewed:** 01-May-2013 **Bypass:**
Shutoffs: (oo),gg,hh,ll,mm,pp,tt,uu,ww,yy,ffff,gggg

Type: RP **Manufacturer:** Watts **Model:** 909M1HWQT
Size: 1 1/4 **Orientation:** H **Meters:**
Manual: 5 **0.25% Pb:** No **Spare Parts Only:** No
Approved: 07-Feb-1980 **Renewed:** 07-Feb-2013 **Bypass:**
Shutoffs: (vv),xx,ooo,hhhh,rrrrr
Notes: formerly 909HWQT

Type: RP **Manufacturer:** Watts **Model:** 909M1HWQT
Size: 1 1/2 **Orientation:** H **Meters:**
Manual: 5 **0.25% Pb:** No **Spare Parts Only:** No
Approved: 07-Feb-1980 **Renewed:** 07-Feb-2013 **Bypass:**
Shutoffs: (vv),xx,ooo,hhhh,rrrrr
Notes: formerly 909HWQT

Type: RP **Manufacturer:** Watts **Model:** 909M1HWQT
Size: 2 **Orientation:** H **Meters:**
Manual: 5 **0.25% Pb:** No **Spare Parts Only:** No
Approved: 07-Feb-1980 **Renewed:** 07-Feb-2013 **Bypass:**
Shutoffs: (vv),xx,ooo,hhhh,rrrrr
Notes: formerly 909HWQT

Type: RP **Manufacturer:** Watts **Model:** 909M1PCHWQT
Size: 1 1/4 **Orientation:** H **Meters:**
Manual: 8 **0.25% Pb:** No **Spare Parts Only:** No
Approved: 02-Feb-1995 **Renewed:** 02-Feb-2013 **Bypass:**
Shutoffs: (vv),xx,ooo,hhhh,rrrrr

Type: RP	Manufacturer: Watts	Model: 909M1PCHWQT
Size: 1 1/2	Orientation: H	Meters:
Manual: 8	0.25% Pb: No	Spare Parts Only: No
Approved: 02-Feb-1995	Renewed: 02-Feb-2013	Bypass:
Shutoffs: (vv),xx,ooo,hhhh,rrrrr		

Type: RP	Manufacturer: Watts	Model: 909M1PCHWQT
Size: 2	Orientation: H	Meters:
Manual: 8	0.25% Pb: No	Spare Parts Only: No
Approved: 02-Feb-1995	Renewed: 02-Feb-2013	Bypass:
Shutoffs: (vv),xx,ooo,hhhh,rrrrr		

Type: RP	Manufacturer: Watts	Model: 909M1QT
Size: 1 1/4	Orientation: H	Meters:
Manual: 6	0.25% Pb: No	Spare Parts Only: No
Approved: 15-Jan-1982	Renewed: 15-Jan-2015	Bypass:
Shutoffs: (vv),xx,ooo,hhhh,pppp,rrrrr		
Notes: formerly 909QT		

Type: RP	Manufacturer: Watts	Model: 909M1QT
Size: 1 1/2	Orientation: H	Meters:
Manual: 6	0.25% Pb: No	Spare Parts Only: No
Approved: 15-Jan-1982	Renewed: 15-Jan-2015	Bypass:
Shutoffs: (vv),xx,ooo,hhhh,pppp,rrrrr		
Notes: formerly 909QT		

Type: RP	Manufacturer: Watts	Model: 909M1QT
Size: 2	Orientation: H	Meters:
Manual: 6	0.25% Pb: No	Spare Parts Only: No
Approved: 15-Jan-1982	Renewed: 15-Jan-2015	Bypass:
Shutoffs: (vv),xx,ooo,hhhh,pppp,rrrrr		
Notes: formerly 909QT		

Type: RP	Manufacturer: Watts	Model: 909NRS
Size: 3	Orientation:	Meters:
Manual:	0.25% Pb: No	Spare Parts Only: No
Approved:	Renewed:	Bypass:
Notes: model designation changed to 909		

Type: RP **Manufacturer:** Watts **Model:** 909NRS
Size: 4 **Orientation:** **Meters:**
Manual: **0.25% Pb:** No **Spare Parts Only:** No
Approved: **Renewed:** **Bypass:**
Notes: model designation changed to 909

Type: RP **Manufacturer:** Watts **Model:** 909NRS
Size: 6 **Orientation:** **Meters:**
Manual: **0.25% Pb:** No **Spare Parts Only:** No
Approved: **Renewed:** **Bypass:**
Notes: model designation changed to 909

Type: RP **Manufacturer:** Watts **Model:** 909NRS
Size: 8 **Orientation:** **Meters:**
Manual: **0.25% Pb:** No **Spare Parts Only:** No
Approved: **Renewed:** **Bypass:**
Notes: model designation changed to 909

Type: RP **Manufacturer:** Watts **Model:** 909NRS
Size: 10 **Orientation:** **Meters:**
Manual: **0.25% Pb:** No **Spare Parts Only:** No
Approved: **Renewed:** **Bypass:**
Notes: model designation changed to 909

Type: RP **Manufacturer:** Watts **Model:** 909NRSRW
Size: 3 **Orientation:** **Meters:**
Manual: **0.25% Pb:** No **Spare Parts Only:** No
Approved: **Renewed:** **Bypass:**
Notes: model designation changed to 909

Type: RP **Manufacturer:** Watts **Model:** 909NRSRW
Size: 4 **Orientation:** **Meters:**
Manual: **0.25% Pb:** No **Spare Parts Only:** No
Approved: **Renewed:** **Bypass:**
Notes: model designation changed to 909

Type: RP **Manufacturer:** Watts **Model:** 909NRSRW
Size: 6 **Orientation:** **Meters:**
Manual: **0.25% Pb:** No **Spare Parts Only:** No
Approved: **Renewed:** **Bypass:**
Notes: model designation changed to 909

Type: RP **Manufacturer:** Watts **Model:** 909NRSRW
Size: 8 **Orientation:** **Meters:**
Manual: **0.25% Pb:** No **Spare Parts Only:** No
Approved: **Renewed:** **Bypass:**
Notes: model designation changed to 909

Type: RP **Manufacturer:** Watts **Model:** 909NRSRW
Size: 10 **Orientation:** **Meters:**
Manual: **0.25% Pb:** No **Spare Parts Only:** No
Approved: **Renewed:** **Bypass:**
Notes: model designation changed to 909

Type: RP **Manufacturer:** Watts **Model:** 909OSY
Size: 3 **Orientation:** **Meters:**
Manual: **0.25% Pb:** No **Spare Parts Only:** No
Approved: **Renewed:** **Bypass:**
Notes: model designation changed to 909

Type: RP **Manufacturer:** Watts **Model:** 909OSY
Size: 4 **Orientation:** **Meters:**
Manual: **0.25% Pb:** No **Spare Parts Only:** No
Approved: **Renewed:** **Bypass:**
Notes: model designation changed to 909

Type: RP **Manufacturer:** Watts **Model:** 909OSY
Size: 6 **Orientation:** **Meters:**
Manual: **0.25% Pb:** No **Spare Parts Only:** No
Approved: **Renewed:** **Bypass:**
Notes: model designation changed to 909

Type: RP **Manufacturer:** Watts **Model:** 909OSY
Size: 8 **Orientation:** **Meters:**
Manual: **0.25% Pb:** No **Spare Parts Only:** No
Approved: **Renewed:** **Bypass:**
Notes: model designation changed to 909

Type: RP **Manufacturer:** Watts **Model:** 909OSY
Size: 10 **Orientation:** **Meters:**
Manual: **0.25% Pb:** No **Spare Parts Only:** No
Approved: **Renewed:** **Bypass:**
Notes: model designation changed to 909

Type: RP **Manufacturer:** Watts **Model:** 909OSYRW
Size: 3 **Orientation:** **Meters:**
Manual: **0.25% Pb:** No **Spare Parts Only:** No
Approved: **Renewed:** **Bypass:**
Notes: model designation changed to 909

Type: RP **Manufacturer:** Watts **Model:** 909OSYRW
Size: 4 **Orientation:** **Meters:**
Manual: **0.25% Pb:** No **Spare Parts Only:** No
Approved: **Renewed:** **Bypass:**
Notes: model designation changed to 909

Type: RP **Manufacturer:** Watts **Model:** 909OSYRW
Size: 6 **Orientation:** **Meters:**
Manual: **0.25% Pb:** No **Spare Parts Only:** No
Approved: **Renewed:** **Bypass:**
Notes: model designation changed to 909

Type: RP **Manufacturer:** Watts **Model:** 909OSYRW
Size: 8 **Orientation:** **Meters:**
Manual: **0.25% Pb:** No **Spare Parts Only:** No
Approved: **Renewed:** **Bypass:**
Notes: model designation changed to 909

Type: RP **Manufacturer:** Watts **Model:** 909OSYRW
Size: 10 **Orientation:** **Meters:**
Manual: **0.25% Pb:** No **Spare Parts Only:** No
Approved: **Renewed:** **Bypass:**
Notes: model designation changed to 909

Type: RP **Manufacturer:** Watts **Model:** 909PCHWQT
Size: 3/4 **Orientation:** H **Meters:**
Manual: 8 **0.25% Pb:** No **Spare Parts Only:** No
Approved: 02-Feb-1995 **Renewed:** 02-Feb-2013 **Bypass:**
Shutoffs: (vv),xx,ooo,hhhh,pppp,rrrr

Type: RP **Manufacturer:** Watts **Model:** 909PCHWQT
Size: 1 **Orientation:** H **Meters:**
Manual: 8 **0.25% Pb:** No **Spare Parts Only:** No
Approved: 02-Feb-1995 **Renewed:** 02-Feb-2013 **Bypass:**
Shutoffs: (vv),xx,ooo,hhhh,pppp,rrrr

Type: RP
Size: 1 1/4
Manual: 8
Approved: 02-Feb-1995
Shutoffs: (vv),xx,ooo,hhhh,pppp,rrrr

Manufacturer: Watts
Orientation: H
0.25% Pb: No
Renewed: 02-Feb-2013

Model: 909PCM1QT
Meters:
Spare Parts Only: No
Bypass:

Type: RP
Size: 1 1/2
Manual: 8
Approved: 02-Feb-1995
Shutoffs: (vv),xx,ooo,hhhh,pppp,rrrr

Manufacturer: Watts
Orientation: H
0.25% Pb: No
Renewed: 02-Feb-2013

Model: 909PCM1QT
Meters:
Spare Parts Only: No
Bypass:

Type: RP
Size: 2
Manual: 8
Approved: 02-Feb-1995
Shutoffs: (vv),xx,ooo,hhhh,pppp,rrrr

Manufacturer: Watts
Orientation: H
0.25% Pb: No
Renewed: 02-Feb-2013

Model: 909PCM1QT
Meters:
Spare Parts Only: No
Bypass:

Type: RP
Size: 3/4
Manual: 9
Approved: 09-Oct-1998
Shutoffs: (vv),xx,ooo,hhhh,pppp,rrrr

Manufacturer: Watts
Orientation: H
0.25% Pb: No
Renewed: 04-Oct-2013

Model: 909PCQT
Meters:
Spare Parts Only: No
Bypass:

Notes: Previously Approved 8th Ed (2 February 1995) 9th Ed. for Ser. Nos. 464100 and higher

Type: RP
Size: 3/4
Manual: 9
Approved: 09-Oct-1998
Shutoffs: (vv),xx,ooo,hhhh,pppp,rrrr

Manufacturer: Watts
Orientation: VU
0.25% Pb: No
Renewed: 04-Oct-2013

Model: 909PCQT
Meters:
Spare Parts Only: No
Bypass:

Notes: Serial number 464100 and higher

Type: RP
Size: 1
Manual: 9
Approved: 09-Oct-1998
Shutoffs: (vv),xx,ooo,hhhh,pppp,rrrr

Manufacturer: Watts
Orientation: H
0.25% Pb: No
Renewed: 09-Oct-2013

Model: 909PCQT
Meters:
Spare Parts Only: No
Bypass:

Notes: Previously Approved 8th Ed (2 February 1995) 9th Ed. for Ser. Nos. 464100 and higher

Type: RP **Manufacturer:** Watts **Model:** 909PCQT
Size: 1 **Orientation:** VU **Meters:**
Manual: 9 **0.25% Pb:** No **Spare Parts Only:** No
Approved: 09-Oct-1998 **Renewed:** 09-Oct-2013 **Bypass:**
Shutoffs: (vv),xx,ooo,hhhh,pppp,rrrr
Notes: Previously Approved 8th Ed (2 February 1995) 9th Ed. for Ser. Nos. 464100 and higher

Type: RP **Manufacturer:** Watts **Model:** 909QT
Size: 3/4 **Orientation:** H **Meters:**
Manual: 9 **0.25% Pb:** No **Spare Parts Only:** No
Approved: 18-Jun-1998 **Renewed:** 18-Jun-2013 **Bypass:**
Shutoffs: (vv),xx,ooo,hhhh,pppp,rrrr
Notes: Previously Approved 6th Ed. (15 Jan 1982) 9th Ed. For Ser. Nos. 461650 and higher

Type: RP **Manufacturer:** Watts **Model:** 909QT
Size: 3/4 **Orientation:** VU **Meters:**
Manual: 9 **0.25% Pb:** No **Spare Parts Only:** No
Approved: 18-Jun-1998 **Renewed:** 18-Jun-2013 **Bypass:**
Shutoffs: (vv),xx,ooo,hhhh,pppp,rrrr
Notes: Serial number 461650 and higher

Type: RP **Manufacturer:** Watts **Model:** 909QT
Size: 1 **Orientation:** H **Meters:**
Manual: 9 **0.25% Pb:** No **Spare Parts Only:** No
Approved: 18-Jun-1998 **Renewed:** 18-Jun-2013 **Bypass:**
Shutoffs: (vv),xx,ooo,hhhh,pppp,rrrr
Notes: Previously Approved 6th Ed. (15 Jan 1982) 9th Ed. For Ser. Nos. 461650 and higher

Type: RP **Manufacturer:** Watts **Model:** 909QT
Size: 1 **Orientation:** VU **Meters:**
Manual: 9 **0.25% Pb:** No **Spare Parts Only:** No
Approved: 18-Jun-1998 **Renewed:** 18-Jun-2013 **Bypass:**
Shutoffs: (vv),xx,ooo,hhhh,pppp,rrrr
Notes: Serial number 461650 and higher

Type: RP **Manufacturer:** Watts **Model:** 909QT
Size: 1 1/4 **Orientation:** **Meters:**
Manual: **0.25% Pb:** No **Spare Parts Only:** No
Approved: **Renewed:** **Bypass:**
Notes: model designation changed to 909M1QT

Type: RP **Manufacturer:** Watts **Model:** 909QT
Size: 1 1/2 **Orientation:** **Meters:**
Manual: **0.25% Pb:** No **Spare Parts Only:** No
Approved: **Renewed:** **Bypass:**
Notes: model designation changed to 909M1QT

Type: RP **Manufacturer:** Watts **Model:** 909QT
Size: 2 **Orientation:** **Meters:**
Manual: **0.25% Pb:** No **Spare Parts Only:** No
Approved: **Renewed:** **Bypass:**
Notes: model designation changed to 909M1QT

Type: RP **Manufacturer:** Watts **Model:** 909RW
Size: 3 **Orientation:** **Meters:**
Manual: **0.25% Pb:** No **Spare Parts Only:** No
Approved: **Renewed:** **Bypass:**
Notes: model designation changed to 909

Type: RP **Manufacturer:** Watts **Model:** 909RW
Size: 4 **Orientation:** **Meters:**
Manual: **0.25% Pb:** No **Spare Parts Only:** No
Approved: **Renewed:** **Bypass:**
Notes: model designation changed to 909

Type: RP **Manufacturer:** Watts **Model:** 909RW
Size: 6 **Orientation:** **Meters:**
Manual: **0.25% Pb:** No **Spare Parts Only:** No
Approved: **Renewed:** **Bypass:**
Notes: model designation changed to 909

Type: RP **Manufacturer:** Watts **Model:** 909RW
Size: 8 **Orientation:** **Meters:**
Manual: **0.25% Pb:** No **Spare Parts Only:** No
Approved: **Renewed:** **Bypass:**
Notes: model designation changed to 909

Type: RP **Manufacturer:** Watts **Model:** 909RW
Size: 10 **Orientation:** **Meters:**
Manual: **0.25% Pb:** No **Spare Parts Only:** No
Approved: **Renewed:** **Bypass:**
Notes: model designation changed to 909

Type: RP
Size: 3/4
Manual: 9
Approved: 14-Jun-2006
Shutoffs: (vv),xx,ooo,hhhh,pppp,rrrr

Manufacturer: Watts
Orientation: VUVD
0.25% Pb: No
Renewed: 14-Jun-2015

Model: 919AQT
Meters:
Spare Parts Only: No
Bypass:

Type: RP
Size: 1
Manual: 9
Approved: 01-Jun-2006
Shutoffs: (vv),xx,ooo,hhhh,pppp,rrrr

Manufacturer: Watts
Orientation: VUVD
0.25% Pb: No
Renewed: 01-Jun-2015

Model: 919AQT
Meters:
Spare Parts Only: No
Bypass:

Type: RP
Size: 1 1/4
Manual: 9
Approved: 05-Sep-2006
Shutoffs: (vv),xx,ooo,hhhh,pppp,rrrr

Manufacturer: Watts
Orientation: VUVD
0.25% Pb: No
Renewed: 05-Sep-2015

Model: 919AQT
Meters:
Spare Parts Only: No
Bypass:

Type: RP
Size: 1 1/2
Manual: 9
Approved: 01-Jun-2006
Shutoffs: (vv),xx,ooo,hhhh,pppp,rrrr

Manufacturer: Watts
Orientation: VUVD
0.25% Pb: No
Renewed: 01-Jun-2015

Model: 919AQT
Meters:
Spare Parts Only: No
Bypass:

Type: RP
Size: 2
Manual: 9
Approved: 01-Jun-2006
Shutoffs: (vv),xx,ooo,hhhh,pppp,rrrr

Manufacturer: Watts
Orientation: VUVD
0.25% Pb: No
Renewed: 01-Jun-2015

Model: 919AQT
Meters:
Spare Parts Only: No
Bypass:

Type: RP
Size: 3/4
Manual: 9
Approved: 14-Jun-2006
Shutoffs: (vv),xx,ooo,hhhh,pppp,rrrr

Manufacturer: Watts
Orientation: H
0.25% Pb: No
Renewed: 14-Jun-2015

Model: 919QT
Meters:
Spare Parts Only: No
Bypass:

Type: RP
Size: 3/4
Manual: 9
Approved: 30-Aug-2006
Shutoffs: (vv),xx,ooo,hhhh,pppp,rrrr

Manufacturer: Watts
Orientation: VD
0.25% Pb: No
Renewed: 30-Aug-2015

Model: 919QT
Meters:
Spare Parts Only: No
Bypass:

Type: RP **Manufacturer:** Watts **Model:** 919QT
Size: 1 **Orientation:** H **Meters:**
Manual: 9 **0.25% Pb:** No **Spare Parts Only:** No
Approved: 01-Jun-2006 **Renewed:** 01-Jun-2015 **Bypass:**
Shutoffs: (vv),xx,ooo,hhhh,pppp,rrrrr

Type: RP **Manufacturer:** Watts **Model:** 919QT
Size: 1 **Orientation:** VD **Meters:**
Manual: 9 **0.25% Pb:** No **Spare Parts Only:** No
Approved: 30-Aug-2006 **Renewed:** 30-Aug-2015 **Bypass:**
Shutoffs: (vv),xx,ooo,hhhh,pppp,rrrrr

Type: RP **Manufacturer:** Watts **Model:** 919QT
Size: 1 1/4 **Orientation:** H **Meters:**
Manual: 9 **0.25% Pb:** No **Spare Parts Only:** No
Approved: 01-Jun-2006 **Renewed:** 01-Jun-2015 **Bypass:**
Shutoffs: (vv),xx,ooo,hhhh,pppp,rrrrr

Type: RP **Manufacturer:** Watts **Model:** 919QT
Size: 1 1/4 **Orientation:** VD **Meters:**
Manual: 9 **0.25% Pb:** No **Spare Parts Only:** No
Approved: 30-Aug-2006 **Renewed:** 30-Aug-2015 **Bypass:**
Shutoffs: (vv),xx,ooo,hhhh,pppp,rrrrr

Type: RP **Manufacturer:** Watts **Model:** 919QT
Size: 1 1/2 **Orientation:** H **Meters:**
Manual: 9 **0.25% Pb:** No **Spare Parts Only:** No
Approved: 01-Jun-2006 **Renewed:** 01-Jun-2015 **Bypass:**
Shutoffs: (vv),xx,ooo,hhhh,pppp,rrrrr

Type: RP **Manufacturer:** Watts **Model:** 919QT
Size: 1 1/2 **Orientation:** VD **Meters:**
Manual: 9 **0.25% Pb:** No **Spare Parts Only:** No
Approved: 30-Aug-2006 **Renewed:** 30-Aug-2015 **Bypass:**
Shutoffs: (vv),xx,ooo,hhhh,pppp,rrrrr

Type: RP **Manufacturer:** Watts **Model:** 919QT
Size: 2 **Orientation:** H **Meters:**
Manual: 9 **0.25% Pb:** No **Spare Parts Only:** No
Approved: 01-Jun-2006 **Renewed:** 01-Jun-2015 **Bypass:**
Shutoffs: (vv),xx,ooo,hhhh,pppp,rrrrr

Type: RP **Manufacturer:** Watts **Model:** 919QT
Size: 2 **Orientation:** VD **Meters:**
Manual: 9 **0.25% Pb:** No **Spare Parts Only:** No
Approved: 30-Aug-2006 **Renewed:** 30-Aug-2015 **Bypass:**
Shutoffs: (vv),xx,ooo,hhhh,pppp,rrrr

Type: RP **Manufacturer:** Watts **Model:** 919ZQT
Size: 3/4 **Orientation:** VUVU **Meters:**
Manual: 9 **0.25% Pb:** No **Spare Parts Only:** No
Approved: 14-Jun-2006 **Renewed:** 14-Jun-2015 **Bypass:**
Shutoffs: (vv),xx,ooo,hhhh,pppp,rrrr

Type: RP **Manufacturer:** Watts **Model:** 919ZQT
Size: 1 **Orientation:** VUVU **Meters:**
Manual: 9 **0.25% Pb:** No **Spare Parts Only:** No
Approved: 01-Jun-2006 **Renewed:** 01-Jun-2015 **Bypass:**
Shutoffs: (vv),xx,ooo,hhhh,pppp,rrrr

Type: RP **Manufacturer:** Watts **Model:** 919ZQT
Size: 1 1/4 **Orientation:** VUVU **Meters:**
Manual: 9 **0.25% Pb:** No **Spare Parts Only:** No
Approved: 01-Jun-2006 **Renewed:** 01-Jun-2015 **Bypass:**
Shutoffs: (vv),xx,ooo,hhhh,pppp,rrrr

Type: RP **Manufacturer:** Watts **Model:** 919ZQT
Size: 1 1/2 **Orientation:** VUVU **Meters:**
Manual: 9 **0.25% Pb:** No **Spare Parts Only:** No
Approved: 01-Jun-2006 **Renewed:** 01-Jun-2015 **Bypass:**
Shutoffs: (vv),xx,ooo,hhhh,pppp,rrrr

Type: RP **Manufacturer:** Watts **Model:** 919ZQT
Size: 2 **Orientation:** VUVU **Meters:**
Manual: 9 **0.25% Pb:** No **Spare Parts Only:** No
Approved: 01-Jun-2006 **Renewed:** 01-Jun-2015 **Bypass:**
Shutoffs: (vv),xx,ooo,hhhh,pppp,rrrr

Type: RP **Manufacturer:** Watts **Model:** 957
Size: 2 1/2 **Orientation:** H **Meters:**
Manual: 9 **0.25% Pb:** No **Spare Parts Only:** No
Approved: 07-Oct-2002 **Renewed:** 07-Oct-2014 **Bypass:**
Shutoffs: (ppp),qqq,aaaa,bbbb
Notes: Check valve discs may be black EPDM or orange Silicone

Type: RP **Manufacturer:** Watts **Model:** 957
Size: 2 1/2 **Orientation:** H **Meters:**
Manual: 9 **0.25% Pb:** Yes **Spare Parts Only:** No
Approved: 07-Oct-2002 **Renewed:** 07-Oct-2014 **Bypass:**
Shutoffs: zzz,dddd,eeee,gggg,kkkk,llll,mmmm,nnnn,nnnn
Notes: Check valve discs may be black EPDM or orange Silicone

Type: RP **Manufacturer:** Watts **Model:** 957
Size: 3 **Orientation:** H **Meters:**
Manual: 9 **0.25% Pb:** No **Spare Parts Only:** No
Approved: 07-Oct-2002 **Renewed:** 07-Oct-2014 **Bypass:**
Shutoffs: (ppp),qqq,aaaa,bbbb
Notes: Check valve discs may be black EPDM or orange Silicone

Type: RP **Manufacturer:** Watts **Model:** 957
Size: 3 **Orientation:** H **Meters:**
Manual: 9 **0.25% Pb:** Yes **Spare Parts Only:** No
Approved: 07-Oct-2002 **Renewed:** 07-Oct-2014 **Bypass:**
Shutoffs: zzz,dddd,eeee,gggg,kkkk,llll,mmmm,nnnn,nnnn
Notes: Check valve discs may be black EPDM or orange Silicone

Type: RP **Manufacturer:** Watts **Model:** 957
Size: 4 **Orientation:** H **Meters:**
Manual: 9 **0.25% Pb:** No **Spare Parts Only:** No
Approved: 07-Oct-2002 **Renewed:** 07-Oct-2014 **Bypass:**
Shutoffs: (ppp),qqq,aaaa,bbbb
Notes: Check valve discs may be black EPDM or orange Silicone

Type: RP **Manufacturer:** Watts **Model:** 957
Size: 4 **Orientation:** H **Meters:**
Manual: 9 **0.25% Pb:** Yes **Spare Parts Only:** No
Approved: 07-Oct-2002 **Renewed:** 07-Oct-2014 **Bypass:**
Shutoffs: zzz,dddd,eeee,gggg,kkkk,llll,mmmm,nnnn,nnnn
Notes: Check valve discs may be black EPDM or orange Silicone

Type: RP **Manufacturer:** Watts **Model:** 957
Size: 6 **Orientation:** H **Meters:**
Manual: 9 **0.25% Pb:** No **Spare Parts Only:** No
Approved: 20-Dec-2004 **Renewed:** 20-Dec-2013 **Bypass:**
Shutoffs: (ppp),qqq,aaaa,bbbb

Type: RP **Manufacturer:** Watts **Model:** 957
Size: 6 **Orientation:** H **Meters:**
Manual: 9 **0.25% Pb:** Yes **Spare Parts Only:** No
Approved: 20-Dec-2004 **Renewed:** 20-Dec-2013 **Bypass:**
Shutoffs: zzz,dddd,eeee,gggg,kkkk,llll,mmmm,nnnn,nnnn

Type: RP **Manufacturer:** Watts **Model:** 957
Size: 8 **Orientation:** H **Meters:**
Manual: 9 **0.25% Pb:** No **Spare Parts Only:** No
Approved: 13-Aug-2007 **Renewed:** 13-Aug-2013 **Bypass:**
Shutoffs: (ppp),qqq,aaaa,bbbb

Type: RP **Manufacturer:** Watts **Model:** 957
Size: 8 **Orientation:** H **Meters:**
Manual: 9 **0.25% Pb:** Yes **Spare Parts Only:** No
Approved: 13-Aug-2007 **Renewed:** 13-Aug-2013 **Bypass:**
Shutoffs: zzz,cccc,dddd,eeee,gggg,kkkk,llll,mmmm,nnnn,nnnn

Type: RP **Manufacturer:** Watts **Model:** 957
Size: 10 **Orientation:** H **Meters:**
Manual: 9 **0.25% Pb:** No **Spare Parts Only:** No
Approved: 22-Jul-2009 **Renewed:** 22-Jul-2015 **Bypass:**
Shutoffs: (ppp),qqq,aaaa,bbbb

Type: RP **Manufacturer:** Watts **Model:** 957
Size: 10 **Orientation:** H **Meters:**
Manual: 9 **0.25% Pb:** Yes **Spare Parts Only:** No
Approved: 22-Jul-2009 **Renewed:** 22-Jul-2015 **Bypass:**
Shutoffs: zzz,cccc,dddd,eeee,gggg,kkkk,llll,mmmm,nnnn,nnnn

Type: RP **Manufacturer:** Watts **Model:** 957 BF
Size: 4 **Orientation:** H **Meters:**
Manual: 9 **0.25% Pb:** Yes **Spare Parts Only:** No
Approved: 17-Jan-2008 **Renewed:** 17-Jan-2014 **Bypass:**
Shutoffs: (yyy)
Notes: Check valve discs may be black EPDM or orange Silicone

Type: RP **Manufacturer:** Watts **Model:** 957 BF
Size: 6 **Orientation:** H **Meters:**
Manual: 9 **0.25% Pb:** Yes **Spare Parts Only:** No
Approved: 17-Jan-2008 **Renewed:** 17-Jan-2014 **Bypass:**
Shutoffs: (yyy)

Type: RP **Manufacturer:** Watts **Model:** 957N
Size: 2 1/2 **Orientation:** VUVD **Meters:**
Manual: 9 **0.25% Pb:** No **Spare Parts Only:** No
Approved: 14-Apr-2003 **Renewed:** 14-Apr-2015 **Bypass:**
Shutoffs: (ppp),qqq,aaaa,bbbb,nnnn
Notes: Check valve discs may be black EPDM or orange Silicone

Type: RP **Manufacturer:** Watts **Model:** 957N
Size: 2 1/2 **Orientation:** VUVD **Meters:**
Manual: 9 **0.25% Pb:** Yes **Spare Parts Only:** No
Approved: 14-Apr-2003 **Renewed:** 14-Apr-2015 **Bypass:**
Shutoffs: yyy,zzz,dddd,eeee,gggg,kkkk,llll,mmmm,nnnn
Notes: Check valve discs may be black EPDM or orange Silicone

Type: RP **Manufacturer:** Watts **Model:** 957N
Size: 3 **Orientation:** VUVD **Meters:**
Manual: 9 **0.25% Pb:** No **Spare Parts Only:** No
Approved: 14-Apr-2003 **Renewed:** 14-Apr-2015 **Bypass:**
Shutoffs: (ppp),qqq,aaaa,bbbb,nnnn
Notes: Check valve discs may be black EPDM or orange Silicone

Type: RP **Manufacturer:** Watts **Model:** 957N
Size: 3 **Orientation:** VUVD **Meters:**
Manual: 9 **0.25% Pb:** Yes **Spare Parts Only:** No
Approved: 14-Apr-2003 **Renewed:** 14-Apr-2015 **Bypass:**
Shutoffs: yyy,zzz,dddd,eeee,gggg,kkkk,llll,mmmm,nnnn
Notes: Check valve discs may be black EPDM or orange Silicone

Type: RP **Manufacturer:** Watts **Model:** 957N
Size: 4 **Orientation:** VUVD **Meters:**
Manual: 9 **0.25% Pb:** No **Spare Parts Only:** No
Approved: 14-Apr-2003 **Renewed:** 14-Apr-2015 **Bypass:**
Shutoffs: (ppp),qqq,aaaa,bbbb,nnnn
Notes: Check valve discs may be black EPDM or orange Silicone

Type: RP **Manufacturer:** Watts **Model:** 957N
Size: 4 **Orientation:** VUVD **Meters:**
Manual: 9 **0.25% Pb:** Yes **Spare Parts Only:** No
Approved: 14-Apr-2003 **Renewed:** 14-Apr-2015 **Bypass:**
Shutoffs: yyy,zzz,dddd,eeee,gggg,kkkk,llll,mmmm,nnnn
Notes: Check valve discs may be black EPDM or orange Silicone

Type: RP **Manufacturer:** Watts **Model:** 957N
Size: 6 **Orientation:** VUVD **Meters:**
Manual: 9 **0.25% Pb:** No **Spare Parts Only:** No
Approved: 15-Nov-2010 **Renewed:** 15-Nov-2013 **Bypass:**
Shutoffs: ppp,qqq,aaaa,bbbb,nnnn

Type: RP **Manufacturer:** Watts **Model:** 957N
Size: 6 **Orientation:** VUVD **Meters:**
Manual: 9 **0.25% Pb:** Yes **Spare Parts Only:** No
Approved: 15-Nov-2010 **Renewed:** 15-Nov-2013 **Bypass:**
Shutoffs: zzz,dddd,eeee,gggg,kkkk,llll,mmmm,nnnn

Type: RP **Manufacturer:** Watts **Model:** 957N
Size: 8 **Orientation:** VUVD **Meters:**
Manual: 9 **0.25% Pb:** No **Spare Parts Only:** No
Approved: 14-Jun-2013 **Renewed:** **Bypass:**
Shutoffs: ppp, qq, aaaa, bbbb,

Type: RP **Manufacturer:** Watts **Model:** 957N
Size: 8 **Orientation:** VUVD **Meters:**
Manual: 9 **0.25% Pb:** Yes **Spare Parts Only:** No
Approved: 14-Jun-2013 **Renewed:** **Bypass:**
Shutoffs: (yyy), zzz, dddd, eeee, gggg, kkkk, llll, mmmm, nnnn

Type: RP
Size: 2 1/2
Manual: 9
Approved: 20-Oct-2009
Shutoffs: (fffff)
Notes: Check valve discs may be black EPDM or orange Silicone

Manufacturer: Watts
Orientation: VUVD
0.25% Pb: Yes
Renewed: 20-Oct-2012

Model: 957NQT
Meters:
Spare Parts Only: No
Bypass:

Type: RP
Size: 3
Manual: 9
Approved: 20-Oct-2009
Shutoffs: (fffff)
Notes: Check valve discs may be black EPDM or orange Silicone

Manufacturer: Watts
Orientation: VUVD
0.25% Pb: Yes
Renewed: 20-Oct-2012

Model: 957NQT
Meters:
Spare Parts Only: No
Bypass:

Type: RP
Size: 4
Manual: 9
Approved: 20-Oct-2009
Shutoffs: (fffff)
Notes: Check valve discs may be black EPDM or orange Silicone

Manufacturer: Watts
Orientation: VUVD
0.25% Pb: Yes
Renewed: 20-Oct-2012

Model: 957NQT
Meters:
Spare Parts Only: No
Bypass:

Type: RP
Size: 2 1/2
Manual: 9
Approved: 20-Oct-2009
Shutoffs: (fffff)
Notes: Check valve discs may be black EPDM or orange Silicone

Manufacturer: Watts
Orientation: H
0.25% Pb: Yes
Renewed: 20-Oct-2012

Model: 957QT
Meters:
Spare Parts Only: No
Bypass:

Type: RP
Size: 3
Manual: 9
Approved: 20-Oct-2009
Shutoffs: (fffff)
Notes: Check valve discs may be black EPDM or orange Silicone

Manufacturer: Watts
Orientation: H
0.25% Pb: Yes
Renewed: 20-Oct-2012

Model: 957QT
Meters:
Spare Parts Only: No
Bypass:

Type: RP
Size: 4
Manual: 9
Approved: 20-Oct-2009
Shutoffs: (fffff)
Notes: Check valve discs may be black EPDM or orange Silicone

Manufacturer: Watts
Orientation: H
0.25% Pb: Yes
Renewed: 20-Oct-2012

Model: 957QT
Meters:
Spare Parts Only: No
Bypass:

Type: RP **Manufacturer:** Watts **Model:** 957Z
Size: 2 1/2 **Orientation:** VUVU **Meters:**
Manual: 9 **0.25% Pb:** No **Spare Parts Only:** No
Approved: 14-Apr-2003 **Renewed:** 14-Apr-2015 **Bypass:**
Shutoffs: (ppp),qqq,aaaa,bbbb,nnnn
Notes: Check valve discs may be black EPDM or orange Silicone

Type: RP **Manufacturer:** Watts **Model:** 957Z
Size: 2 1/2 **Orientation:** VUVU **Meters:**
Manual: 9 **0.25% Pb:** Yes **Spare Parts Only:** No
Approved: 14-Apr-2003 **Renewed:** 14-Apr-2015 **Bypass:**
Shutoffs: yyy,zzz,dddd,eeee,gggg,kkkk,llll,mmmm,nnnn
Notes: Check valve discs may be black EPDM or orange Silicone

Type: RP **Manufacturer:** Watts **Model:** 957Z
Size: 3 **Orientation:** VUVU **Meters:**
Manual: 9 **0.25% Pb:** No **Spare Parts Only:** No
Approved: 14-Apr-2003 **Renewed:** 14-Apr-2015 **Bypass:**
Shutoffs: (ppp),qqq,aaaa,bbbb,nnnn
Notes: Check valve discs may be black EPDM or orange Silicone

Type: RP **Manufacturer:** Watts **Model:** 957Z
Size: 3 **Orientation:** VUVU **Meters:**
Manual: 9 **0.25% Pb:** Yes **Spare Parts Only:** No
Approved: 14-Apr-2003 **Renewed:** 14-Apr-2015 **Bypass:**
Shutoffs: yyy,zzz,dddd,eeee,gggg,kkkk,llll,mmmm,nnnn
Notes: Check valve discs may be black EPDM or orange Silicone

Type: RP **Manufacturer:** Watts **Model:** 957Z
Size: 4 **Orientation:** VUVU **Meters:**
Manual: 9 **0.25% Pb:** No **Spare Parts Only:** No
Approved: 14-Apr-2003 **Renewed:** 14-Apr-2015 **Bypass:**
Shutoffs: (ppp),qqq,aaaa,bbbb,nnnn
Notes: Check valve discs may be black EPDM or orange Silicone

Type: RP **Manufacturer:** Watts **Model:** 957Z
Size: 4 **Orientation:** VUVU **Meters:**
Manual: 9 **0.25% Pb:** Yes **Spare Parts Only:** No
Approved: 14-Apr-2003 **Renewed:** 14-Apr-2015 **Bypass:**
Shutoffs: yyy,zzz,dddd,eeee,gggg,kkkk,llll,mmmm,nnnn
Notes: Check valve discs may be black EPDM or orange Silicone

Type: RP	Manufacturer: Watts	Model: 957Z
Size: 8	Orientation: VUVU	Meters:
Manual: 9	0.25% Pb: No	Spare Parts Only: No
Approved: 14-Jun-2013	Renewed:	Bypass:
Shutoffs: ppp, qqg, aaaa, bbbb,		

Type: RP	Manufacturer: Watts	Model: 957Z
Size: 8	Orientation: VUVU	Meters:
Manual: 9	0.25% Pb: Yes	Spare Parts Only: No
Approved: 14-Jun-2013	Renewed:	Bypass:
Shutoffs: (yyy), zzz, dddd, eeee, gggg, kkkk, llll, mmmm, nnnn		

Type: RP	Manufacturer: Watts	Model: 957ZQT
Size: 2 1/2	Orientation: VUVU	Meters:
Manual: 9	0.25% Pb: Yes	Spare Parts Only: No
Approved: 20-Oct-2009	Renewed: 20-Oct-2012	Bypass:
Shutoffs: (ffff)		
Notes: Check valve discs may be black EPDM or orange Silicone		

Type: RP	Manufacturer: Watts	Model: 957ZQT
Size: 3	Orientation: VUVU	Meters:
Manual: 9	0.25% Pb: Yes	Spare Parts Only: No
Approved: 20-Oct-2009	Renewed: 20-Oct-2012	Bypass:
Shutoffs: (ffff)		
Notes: Check valve discs may be black EPDM or orange Silicone		

Type: RP	Manufacturer: Watts	Model: 957ZQT
Size: 4	Orientation: VUVU	Meters:
Manual: 9	0.25% Pb: Yes	Spare Parts Only: No
Approved: 20-Oct-2009	Renewed: 20-Oct-2012	Bypass:
Shutoffs: (ffff)		
Notes: Check valve discs may be black EPDM or orange Silicone		

Type: RP	Manufacturer: Watts	Model: 967
Size: 2 1/2	Orientation: H	Meters:
Manual: 9	0.25% Pb: No	Spare Parts Only: No
Approved: 07-Oct-2002	Renewed: 07-Oct-2014	Bypass:
Shutoffs: (ppp),qqq,zzz,aaaa,bbbb,dddd,eeee,fff,gggg,kkkk,llll,mmmm,nnnn,nnnnn		

Type: RP **Manufacturer:** Watts **Model:** 967
Size: 3 **Orientation:** H **Meters:**
Manual: 9 **0.25% Pb:** No **Spare Parts Only:** No
Approved: 07-Oct-2002 **Renewed:** 07-Oct-2014 **Bypass:**
Shutoffs: (ppp),qqq,zzz,aaaa,bbbb,dddd,eeee,ffff,gggg,kkkk,llll,mmmm,nnnn,nnnnn

Type: RP **Manufacturer:** Watts **Model:** 967
Size: 4 **Orientation:** H **Meters:**
Manual: 9 **0.25% Pb:** No **Spare Parts Only:** No
Approved: 18-Jan-2005 **Renewed:** 18-Jan-2014 **Bypass:**
Shutoffs: (ppp),qqq,aaaa,bbbb,gggg,kkkk,llll,mmmm,nnnn,nnnnn

Type: RP **Manufacturer:** Watts **Model:** 967
Size: 6 **Orientation:** H **Meters:**
Manual: 9 **0.25% Pb:** No **Spare Parts Only:** No
Approved: 13-Aug-2007 **Renewed:** 13-Aug-2013 **Bypass:**
Shutoffs: (ppp),qqq,sss, ttt, aaaa,bbbb,cccc,dddd,kkkk,llll,mmmm,nnnn,nnnnn

Type: RP **Manufacturer:** Watts **Model:** 967
Size: 8 **Orientation:** H **Meters:**
Manual: 9 **0.25% Pb:** No **Spare Parts Only:** No
Approved: 22-Jul-2009 **Renewed:** 22-Jul-2015 **Bypass:**
Shutoffs: (ppp),qqq,sss,ttt,zzz,aaaa,bbbb,cccc,dddd,eeee,gggg,kkkk,llll,mmmm,nnnn,nnnnn

Type: RP **Manufacturer:** Watts **Model:** 967
Size: 10 **Orientation:** H **Meters:**
Manual: 9 **0.25% Pb:** No **Spare Parts Only:** No
Approved: 22-Jul-2009 **Renewed:** 22-Jul-2015 **Bypass:**
Shutoffs: (ppp),qqq,sss,ttt,zzz,aaaa,bbbb,cccc,dddd,eeee,gggg,kkkk,llll,mmmm,nnnn

Type: RP **Manufacturer:** Watts **Model:** 967N
Size: 2 1/2 **Orientation:** VUVD **Meters:**
Manual: 9 **0.25% Pb:** No **Spare Parts Only:** No
Approved: 14-Apr-2003 **Renewed:** 14-Apr-2015 **Bypass:**
Shutoffs: (ppp),qqq,yyy,zzz,aaaa,bbbb,dddd,eeee,gggg,kkkk,llll,mmmm,nnnn,nnnnn

Type: RP **Manufacturer:** Watts **Model:** 967N
Size: 3 **Orientation:** VUVD **Meters:**
Manual: 9 **0.25% Pb:** No **Spare Parts Only:** No
Approved: 14-Apr-2003 **Renewed:** 14-Apr-2015 **Bypass:**
Shutoffs: (ppp),qqq,zzz,aaaa,bbbb,dddd,eeee,ffff,gggg,kkkk,llll,mmmm,nnnn,nnnnn

Type: RP	Manufacturer: Watts	Model: 967N
Size: 4	Orientation: VUVD	Meters:
Manual: 9	0.25% Pb: No	Spare Parts Only: No
Approved: 15-Nov-2010	Renewed: 15-Nov-2013	Bypass:
Shutoffs: ppp,qqq,aaaa,bbbb,nnnn		

Type: RP	Manufacturer: Watts	Model: 967N
Size: 4	Orientation: VUVD	Meters:
Manual: 9	0.25% Pb: Yes	Spare Parts Only: No
Approved: 15-Nov-2010	Renewed: 15-Nov-2013	Bypass:
Shutoffs: yyy,zzz,dddd,eeee,gggg,kkkk,llll,mmmm,nnnn		

Type: RP	Manufacturer: Watts	Model: 967N
Size: 6	Orientation: VUVD	Meters:
Manual: 9	0.25% Pb: No	Spare Parts Only: No
Approved: 14-Jun-2013	Renewed:	Bypass:
Shutoffs: ppp, qq, aaaa, bbbb,		

Type: RP	Manufacturer: Watts	Model: 967N
Size: 6	Orientation: VUVD	Meters:
Manual: 9	0.25% Pb: Yes	Spare Parts Only: No
Approved: 14-Jun-2013	Renewed:	Bypass:
Shutoffs: (yyy), zzz, dddd, eeee, gggg, kkkk, llll, mmmm, nnnn		

Type: RP	Manufacturer: Watts	Model: 967Z
Size: 2 1/2	Orientation: VUVU	Meters:
Manual: 9	0.25% Pb: No	Spare Parts Only: No
Approved: 14-Apr-2003	Renewed: 14-Apr-2015	Bypass:
Shutoffs: (ppp),qqq,yyy,zzz,aaaa,bbbb,dddd,eeee,gggg,kkkk,llll,mmmm,nnnn,nnnnn		

Type: RP	Manufacturer: Watts	Model: 967Z
Size: 3	Orientation: VUVU	Meters:
Manual: 9	0.25% Pb: No	Spare Parts Only: No
Approved: 14-Apr-2003	Renewed: 14-Apr-2015	Bypass:
Shutoffs: (ppp),qqq,zzz,aaaa,bbbb,dddd,eeee,gggg,kkkk,llll,mmmm,nnnn,nnnnn		

Type: RP	Manufacturer: Watts	Model: 967Z
Size: 6	Orientation: VUVU	Meters:
Manual: 9	0.25% Pb: No	Spare Parts Only: No
Approved: 14-Jun-2013	Renewed:	Bypass:
Shutoffs: ppp, qq, aaaa, bbbb,		

Type: RP **Manufacturer:** Watts **Model:** 967Z
Size: 6 **Orientation:** VUVU **Meters:**
Manual: 9 **0.25% Pb:** Yes **Spare Parts Only:** No
Approved: 14-Jun-2013 **Renewed:** **Bypass:**
Shutoffs: (yyy), zzz, dddd, eeee, gggg, kkkk, llll, mmmm, nnnn

Type: RP **Manufacturer:** Watts **Model:** 990
Size: 4 **Orientation:** H **Meters:**
Manual: 8 **0.25% Pb:** No **Spare Parts Only:** Yes
Approved: 01-Nov-1992 **Renewed:** 01-Nov-2013 **Bypass:**
Shutoffs: oo,gg,hh,pp,tt,uu,yy

Type: RP **Manufacturer:** Watts **Model:** 990
Size: 8 **Orientation:** H **Meters:**
Manual: 8 **0.25% Pb:** No **Spare Parts Only:** Yes
Approved: 13-Jan-1993 **Renewed:** 13-Jan-2014 **Bypass:**
Shutoffs: oo,gg,hh,pp,tt,uu,yy

Type: RP **Manufacturer:** Watts **Model:** 990QTFDA
Size: 4 **Orientation:** H **Meters:**
Manual: 8 **0.25% Pb:** No **Spare Parts Only:** Yes
Approved: 13-Jan-1993 **Renewed:** 13-Jan-2014 **Bypass:**
Shutoffs: ww

Type: RP **Manufacturer:** Watts **Model:** 990QTFDA
Size: 8 **Orientation:** H **Meters:**
Manual: 8 **0.25% Pb:** No **Spare Parts Only:** Yes
Approved: 13-Jan-1993 **Renewed:** 13-Jan-2014 **Bypass:**
Shutoffs: ww

Type: RP **Manufacturer:** Watts **Model:** 992
Size: 4 **Orientation:** H **Meters:**
Manual: 8 **0.25% Pb:** No **Spare Parts Only:** Yes
Approved: 01-Nov-1992 **Renewed:** 01-Nov-2013 **Bypass:**
Shutoffs: oo

Type: RP **Manufacturer:** Watts **Model:** 992
Size: 10 **Orientation:** H **Meters:**
Manual: 8 **0.25% Pb:** No **Spare Parts Only:** Yes
Approved: 13-Jan-1993 **Renewed:** 13-Jan-2014 **Bypass:**
Shutoffs: oo

Type: RP
Size: 2 1/2
Manual: 8
Approved: 15-Apr-1994
Shutoffs: (tt),ee,ff,gg,hh,pp,uu,ccc,ddd

Manufacturer: Watts
Orientation: H
0.25% Pb: No
Renewed: 15-Apr-2015

Model: 994
Meters:
Spare Parts Only: No
Bypass:

Type: RP
Size: 2 1/2
Manual: 8
Approved: 15-Apr-1994
Shutoffs: ll,mm,oo,ffff,gggg

Manufacturer: Watts
Orientation: H
0.25% Pb: Yes
Renewed: 15-Apr-2015

Model: 994
Meters:
Spare Parts Only: No
Bypass:

Type: RP
Size: 3
Manual: 8
Approved: 15-Apr-1994
Shutoffs: (tt),ee,ff,gg,hh,pp,uu,ccc,ddd

Manufacturer: Watts
Orientation: H
0.25% Pb: No
Renewed: 15-Apr-2015

Model: 994
Meters:
Spare Parts Only: No
Bypass:

Type: RP
Size: 3
Manual: 8
Approved: 15-Apr-1994
Shutoffs: ll,mm,oo,ffff,gggg

Manufacturer: Watts
Orientation: H
0.25% Pb: Yes
Renewed: 15-Apr-2015

Model: 994
Meters:
Spare Parts Only: No
Bypass:

Type: RP
Size: 4
Manual: 8
Approved: 15-Apr-1994
Shutoffs: (tt),ee,ff,gg,hh,pp,uu,ccc,ddd

Manufacturer: Watts
Orientation: H
0.25% Pb: No
Renewed: 15-Apr-2015

Model: 994
Meters:
Spare Parts Only: No
Bypass:

Type: RP
Size: 4
Manual: 8
Approved: 15-Apr-1994
Shutoffs: ll,mm,oo,ffff,gggg

Manufacturer: Watts
Orientation: H
0.25% Pb: Yes
Renewed: 15-Apr-2015

Model: 994
Meters:
Spare Parts Only: No
Bypass:

Type: RP
Size: 6
Manual: 8
Approved: 22-Sep-1997
Shutoffs: (tt),ee,ff,gg,hh,pp,uu,ccc,ddd

Manufacturer: Watts
Orientation: H
0.25% Pb: No
Renewed: 22-Sep-2015

Model: 994
Meters:
Spare Parts Only: No
Bypass:

Type: RP
Size: 6
Manual: 8
Approved: 22-Sep-1997
Shutoffs: ll,mm,oo,ffff,gggg

Manufacturer: Watts
Orientation: H
0.25% Pb: Yes
Renewed: 22-Sep-2015

Model: 994
Meters:
Spare Parts Only: No
Bypass:

Type: RP
Size: 1/2
Manual: 9
Approved: 13-Apr-2000
Shutoffs: int

Manufacturer: Watts
Orientation: H
0.25% Pb: No
Renewed: 13-Apr-2015

Model: 995QT
Meters:
Spare Parts Only: Yes
Bypass:

Type: RP
Size: 3/4
Manual: 9
Approved: 13-Apr-2000
Shutoffs: int

Manufacturer: Watts
Orientation: H
0.25% Pb: No
Renewed: 13-Apr-2015

Model: 995QT
Meters:
Spare Parts Only: Yes
Bypass:

Type: RP
Size: 1
Manual: 9
Approved: 14-Jan-1999
Shutoffs: int

Manufacturer: Watts
Orientation: H
0.25% Pb: No
Renewed: 14-Jan-2014

Model: 995QT
Meters:
Spare Parts Only: Yes
Bypass:

Type: RP
Size: 1 1/4
Manual: 9
Approved: 28-Mar-2002
Shutoffs: int

Manufacturer: Watts
Orientation: H
0.25% Pb: No
Renewed: 28-Mar-2014

Model: 995QT
Meters:
Spare Parts Only: Yes
Bypass:

Type: RP
Size: 1 1/2
Manual: 9
Approved: 28-Mar-2002
Shutoffs: int

Manufacturer: Watts
Orientation: H
0.25% Pb: No
Renewed: 28-Mar-2014

Model: 995QT
Meters:
Spare Parts Only: Yes
Bypass:

Type: RP
Size: 1 1/4
Manual: 5
Approved: 07-Feb-1980
Shutoffs: (vv),xx,ooo,hhhh,pppp

Manufacturer: Watts
Orientation: H
0.25% Pb: No
Renewed: 07-Feb-2013

Model: FAE909HWQT
Meters:
Spare Parts Only: No
Bypass:

Type: RP
Size: 1 1/2
Manual: 5
Approved: 07-Feb-1980
Shutoffs: (vv),xx,ooo,hhhh,pppp
Manufacturer: Watts
Orientation: H
0.25% Pb: No
Renewed: 07-Feb-2013
Model: FAE909HWQT
Meters:
Spare Parts Only: No
Bypass:

Type: RP
Size: 2
Manual: 5
Approved: 07-Feb-1980
Shutoffs: (vv),xx,ooo,hhhh,pppp
Manufacturer: Watts
Orientation: H
0.25% Pb: No
Renewed: 07-Feb-2013
Model: FAE909HWQT
Meters:
Spare Parts Only: No
Bypass:

Type: RP
Size: 1 1/4
Manual: 6
Approved: 15-Jan-1982
Shutoffs: (vv),xx,ooo,hhhh,pppp
Manufacturer: Watts
Orientation: H
0.25% Pb: No
Renewed: 15-Jan-2015
Model: FAE909QT
Meters:
Spare Parts Only: No
Bypass:

Type: RP
Size: 1 1/2
Manual: 6
Approved: 15-Jan-1982
Shutoffs: (vv),xx,ooo,hhhh,pppp
Manufacturer: Watts
Orientation: H
0.25% Pb: No
Renewed: 15-Jan-2015
Model: FAE909QT
Meters:
Spare Parts Only: No
Bypass:

Type: RP
Size: 2
Manual: 6
Approved: 15-Jan-1982
Shutoffs: (vv),xx,ooo,hhhh,pppp
Manufacturer: Watts
Orientation: H
0.25% Pb: No
Renewed: 15-Jan-2015
Model: FAE909QT
Meters:
Spare Parts Only: No
Bypass:

Type: RP
Size: 2 1/2
Manual: 9
Approved: 12-Jan-2010
Shutoffs: (oo)
Manufacturer: Watts
Orientation: H
0.25% Pb: Yes
Renewed: 12-Jan-2013
Model: LF009
Meters:
Spare Parts Only: No
Bypass:

Type: RP
Size: 3
Manual: 9
Approved: 12-Jan-2010
Shutoffs: (oo)
Manufacturer: Watts
Orientation: H
0.25% Pb: Yes
Renewed: 12-Jan-2013
Model: LF009
Meters:
Spare Parts Only: No
Bypass:

Type: RP	Manufacturer: Watts	Model: LF009M2PCQT
Size: 1	Orientation: H	Meters:
Manual: 9	0.25% Pb: Yes	Spare Parts Only: No
Approved: 13-Mar-2015	Renewed:	Bypass:
Shutoffs: (hhhh),rrrr		

Type: RP	Manufacturer: Watts	Model: LF009M2PCQT
Size: 2	Orientation: H	Meters:
Manual: 9	0.25% Pb: Yes	Spare Parts Only: No
Approved: 13-Mar-2015	Renewed:	Bypass:
Shutoffs: (hhhh),rrrr		

Type: RP	Manufacturer: Watts	Model: LF009M2QT
Size: 1	Orientation: H	Meters:
Manual: 9	0.25% Pb: Yes	Spare Parts Only: No
Approved: 11-Jan-2008	Renewed: 11-Jan-2014	Bypass:
Shutoffs: (hhhh),rrrr		

Type: RP	Manufacturer: Watts	Model: LF009M2QT
Size: 1 1/4	Orientation: H	Meters:
Manual: 8	0.25% Pb: Yes	Spare Parts Only: No
Approved: 11-Jan-2008	Renewed: 11-Jan-2014	Bypass:
Shutoffs: (hhhh),rrrr		

Type: RP	Manufacturer: Watts	Model: LF009M2QT
Size: 1 1/2	Orientation: H	Meters:
Manual: 8	0.25% Pb: Yes	Spare Parts Only: No
Approved: 11-Jan-2008	Renewed: 11-Jan-2014	Bypass:
Shutoffs: (hhhh),rrrr		

Type: RP	Manufacturer: Watts	Model: LF009M2QT
Size: 2	Orientation: H	Meters:
Manual: 9	0.25% Pb: Yes	Spare Parts Only: No
Approved: 11-Jan-2008	Renewed: 11-Jan-2014	Bypass:
Shutoffs: (hhhh),rrrr		

Type: RP	Manufacturer: Watts	Model: LF009M3PCQT
Size: 3/4	Orientation: H	Meters:
Manual: 9	0.25% Pb: Yes	Spare Parts Only: No
Approved: 13-Mar-2015	Renewed:	Bypass:
Shutoffs: (hhhh),rrrr		

Type: RP	Manufacturer: Watts	Model: LF009M3QT
Size: 3/4	Orientation: H	Meters:
Manual: 9	0.25% Pb: Yes	Spare Parts Only: No
Approved: 11-Jan-2008	Renewed: 11-Jan-2014	Bypass:
Shutoffs: (hhhh),rrrr		

Type: RP	Manufacturer: Watts	Model: LF009PCQT
Size: 1/2	Orientation: H	Meters:
Manual: 9	0.25% Pb: Yes	Spare Parts Only: No
Approved: 13-Mar-2015	Renewed:	Bypass:
Shutoffs: (hhhh),rrrr		

Type: RP	Manufacturer: Watts	Model: LF009QT
Size: 1/2	Orientation: H	Meters:
Manual: 9	0.25% Pb: Yes	Spare Parts Only: No
Approved: 11-Jan-2008	Renewed: 11-Jan-2014	Bypass:
Shutoffs: (hhhh),rrrr		

Type: RP	Manufacturer: Watts	Model: LF909
Size: 2 1/2	Orientation: H	Meters:
Manual: 9	0.25% Pb: Yes	Spare Parts Only: No
Approved: 12-Jan-2010	Renewed: 12-Jan-2013	Bypass:
Shutoffs: (ll), mm, oo, zzz, cccc, dddd, eeee, ffff, gggg, nnnnn		

Type: RP	Manufacturer: Watts	Model: LF909
Size: 3	Orientation: H	Meters:
Manual: 9	0.25% Pb: Yes	Spare Parts Only: No
Approved: 12-Jan-2010	Renewed: 12-Jan-2013	Bypass:
Shutoffs: (ll), mm, oo, zzz, cccc, dddd, eeee, ffff, gggg, nnnnn		

Type: RP	Manufacturer: Watts	Model: LF909
Size: 4	Orientation: H	Meters:
Manual: 9	0.25% Pb: Yes	Spare Parts Only: No
Approved: 27-Jul-2012	Renewed: 27-Jul-2015	Bypass:
Shutoffs: (ll), mm, oo, zzz, cccc, dddd, eeee, ffff, gggg, nnnnn		

Type: RP	Manufacturer: Watts	Model: LF909
Size: 6	Orientation: H	Meters:
Manual: 9	0.25% Pb: Yes	Spare Parts Only: No
Approved: 27-Jul-2012	Renewed: 27-Jul-2015	Bypass:
Shutoffs: (ll), mm, oo, zzz, cccc, dddd, eeee, ffff, gggg, nnnnn		

Type: RP **Manufacturer:** Watts **Model:** LF909M1
Size: 8 **Orientation:** H **Meters:**
Manual: 9 **0.25% Pb:** Yes **Spare Parts Only:** No
Approved: 01-Jul-2010 **Renewed:** 01-Jul-2013 **Bypass:**
Shutoffs: (ll), mm, oo, zzz, cccc, dddd, eeee, ffff, gggg, nnnnn

Type: RP **Manufacturer:** Watts **Model:** LF909M1
Size: 10 **Orientation:** H **Meters:**
Manual: 9 **0.25% Pb:** Yes **Spare Parts Only:** No
Approved: 01-Jul-2010 **Renewed:** 01-Jul-2013 **Bypass:**
Shutoffs: (ll), mm, oo, zzz, cccc, dddd, eeee, ffff, gggg, nnnnn

Type: RP **Manufacturer:** Watts **Model:** LF909M1PCQT
Size: 1 1/4 **Orientation:** H **Meters:**
Manual: 9 **0.25% Pb:** No **Spare Parts Only:** No
Approved: 13-Mar-2015 **Renewed:** **Bypass:**
Shutoffs: (hhhh),rrrrr

Type: RP **Manufacturer:** Watts **Model:** LF909M1PCQT
Size: 1 1/2 **Orientation:** H **Meters:**
Manual: 9 **0.25% Pb:** No **Spare Parts Only:** No
Approved: 13-Mar-2015 **Renewed:** **Bypass:**
Shutoffs: (hhhh),rrrrr

Type: RP **Manufacturer:** Watts **Model:** LF909M1PCQT
Size: 2 **Orientation:** H **Meters:**
Manual: 9 **0.25% Pb:** No **Spare Parts Only:** No
Approved: 13-Mar-2015 **Renewed:** **Bypass:**
Shutoffs: (hhhh),rrrrr

Type: RP **Manufacturer:** Watts **Model:** LF909M1QT
Size: 1 1/4 **Orientation:** H **Meters:**
Manual: 9 **0.25% Pb:** Yes **Spare Parts Only:** No
Approved: 18-Feb-2010 **Renewed:** 18-Feb-2013 **Bypass:**
Shutoffs: (hhhh),rrrrr

Type: RP **Manufacturer:** Watts **Model:** LF909M1QT
Size: 1 1/2 **Orientation:** H **Meters:**
Manual: 9 **0.25% Pb:** Yes **Spare Parts Only:** No
Approved: 18-Feb-2010 **Renewed:** 18-Feb-2013 **Bypass:**
Shutoffs: (hhhh),rrrrr

Type: RP	Manufacturer: Watts	Model: LF909M1QT
Size: 2	Orientation: H	Meters:
Manual: 9	0.25% Pb: Yes	Spare Parts Only: No
Approved: 18-Feb-2010	Renewed: 18-Feb-2013	Bypass:
Shutoffs: (hhhh),rrrr		

Type: RP	Manufacturer: Watts	Model: LF909PCQT
Size: 3/4	Orientation: H	Meters:
Manual: 9	0.25% Pb: No	Spare Parts Only: No
Approved: 13-Mar-2015	Renewed:	Bypass:
Shutoffs: (hhhh),rrrr		

Type: RP	Manufacturer: Watts	Model: LF909PCQT
Size: 3/4	Orientation: VU	Meters:
Manual: 9	0.25% Pb: No	Spare Parts Only: No
Approved: 13-Mar-2015	Renewed:	Bypass:
Shutoffs: (hhhh),rrrr		

Type: RP	Manufacturer: Watts	Model: LF909PCQT
Size: 1	Orientation: H	Meters:
Manual: 9	0.25% Pb: No	Spare Parts Only: No
Approved: 13-Mar-2015	Renewed:	Bypass:
Shutoffs: (hhhh),rrrr		

Type: RP	Manufacturer: Watts	Model: LF909PCQT
Size: 1	Orientation: VU	Meters:
Manual: 9	0.25% Pb: No	Spare Parts Only: No
Approved: 13-Mar-2015	Renewed:	Bypass:
Shutoffs: (hhhh),rrrr		

Type: RP	Manufacturer: Watts	Model: LF909QT
Size: 3/4	Orientation: H	Meters:
Manual: 9	0.25% Pb: Yes	Spare Parts Only: No
Approved: 18-Feb-2010	Renewed: 18-Feb-2013	Bypass:
Shutoffs: (hhhh),rrrr		

Type: RP	Manufacturer: Watts	Model: LF909QT
Size: 3/4	Orientation: VU	Meters:
Manual: 9	0.25% Pb: Yes	Spare Parts Only: No
Approved: 15-Nov-2010	Renewed: 15-Nov-2013	Bypass:
Shutoffs: (hhhh),rrrr		

Type: RP **Manufacturer:** Watts **Model:** LF909QT
Size: 1 **Orientation:** H **Meters:**
Manual: 9 **0.25% Pb:** Yes **Spare Parts Only:** No
Approved: 18-Feb-2010 **Renewed:** 18-Feb-2013 **Bypass:**
Shutoffs: (hhhh),rrrrr

Type: RP **Manufacturer:** Watts **Model:** LF909QT
Size: 1 **Orientation:** VU **Meters:**
Manual: 9 **0.25% Pb:** Yes **Spare Parts Only:** No
Approved: 15-Nov-2010 **Renewed:** 15-Nov-2013 **Bypass:**
Shutoffs: (hhhh),rrrrr

Type: RP **Manufacturer:** Watts **Model:** LF919AQT
Size: 3/4 **Orientation:** VUVD **Meters:**
Manual: 9 **0.25% Pb:** No **Spare Parts Only:** No
Approved: 14-Jun-2006 **Renewed:** 14-Jun-2015 **Bypass:**
Shutoffs: (vv),xx,ooo,pppp,rrrrr

Type: RP **Manufacturer:** Watts **Model:** LF919AQT
Size: 3/4 **Orientation:** VUVD **Meters:**
Manual: 9 **0.25% Pb:** Yes **Spare Parts Only:** No
Approved: 14-Jun-2006 **Renewed:** 14-Jun-2015 **Bypass:**
Shutoffs: (hhhh),rrrrr

Type: RP **Manufacturer:** Watts **Model:** LF919AQT
Size: 1 **Orientation:** VUVD **Meters:**
Manual: 9 **0.25% Pb:** No **Spare Parts Only:** No
Approved: 12-Apr-2006 **Renewed:** 12-Apr-2015 **Bypass:**
Shutoffs: (vv),xx,ooo,pppp,rrrrr

Type: RP **Manufacturer:** Watts **Model:** LF919AQT
Size: 1 **Orientation:** VUVD **Meters:**
Manual: 9 **0.25% Pb:** Yes **Spare Parts Only:** No
Approved: 12-Apr-2006 **Renewed:** 12-Apr-2015 **Bypass:**
Shutoffs: (hhhh),rrrrr

Type: RP **Manufacturer:** Watts **Model:** LF919AQT
Size: 1 1/4 **Orientation:** VUVD **Meters:**
Manual: 9 **0.25% Pb:** No **Spare Parts Only:** No
Approved: 05-Sep-2006 **Renewed:** 05-Sep-2015 **Bypass:**
Shutoffs: (vv),xx,ooo,pppp,rrrrr

Type: RP **Manufacturer:** Watts **Model:** LF919AQT
Size: 1 1/4 **Orientation:** VUVD **Meters:**
Manual: 9 **0.25% Pb:** Yes **Spare Parts Only:** No
Approved: 05-Sep-2006 **Renewed:** 05-Sep-2015 **Bypass:**
Shutoffs: (hhhh),rrrrr

Type: RP **Manufacturer:** Watts **Model:** LF919AQT
Size: 1 1/2 **Orientation:** VUVD **Meters:**
Manual: 9 **0.25% Pb:** No **Spare Parts Only:** No
Approved: 12-Apr-2006 **Renewed:** 12-Apr-2015 **Bypass:**
Shutoffs: (vv),xx,ooo,pppp,rrrrr

Type: RP **Manufacturer:** Watts **Model:** LF919AQT
Size: 1 1/2 **Orientation:** VUVD **Meters:**
Manual: 9 **0.25% Pb:** Yes **Spare Parts Only:** No
Approved: 12-Apr-2006 **Renewed:** 12-Apr-2015 **Bypass:**
Shutoffs: (hhhh),rrrrr

Type: RP **Manufacturer:** Watts **Model:** LF919AQT
Size: 2 **Orientation:** VUVD **Meters:**
Manual: 9 **0.25% Pb:** No **Spare Parts Only:** No
Approved: 12-Apr-2006 **Renewed:** 12-Apr-2015 **Bypass:**
Shutoffs: (vv),xx,ooo,pppp,rrrrr

Type: RP **Manufacturer:** Watts **Model:** LF919AQT
Size: 2 **Orientation:** VUVD **Meters:**
Manual: 9 **0.25% Pb:** Yes **Spare Parts Only:** No
Approved: 12-Apr-2006 **Renewed:** 12-Apr-2015 **Bypass:**
Shutoffs: (hhhh),rrrrr

Type: RP **Manufacturer:** Watts **Model:** LF919QT
Size: 3/4 **Orientation:** H **Meters:**
Manual: 9 **0.25% Pb:** No **Spare Parts Only:** No
Approved: 14-Jun-2006 **Renewed:** 14-Jun-2015 **Bypass:**
Shutoffs: (vv),xx,ooo,pppp,rrrrr

Type: RP **Manufacturer:** Watts **Model:** LF919QT
Size: 3/4 **Orientation:** H **Meters:**
Manual: 9 **0.25% Pb:** Yes **Spare Parts Only:** No
Approved: 14-Jun-2006 **Renewed:** 14-Jun-2015 **Bypass:**
Shutoffs: (hhhh),rrrrr

Type: RP
Size: 3/4
Manual: 9
Approved: 30-Aug-2006
Shutoffs: (vv),xx,ooo,pppp,rrrrr

Manufacturer: Watts
Orientation: VD
0.25% Pb: No
Renewed: 30-Aug-2015

Model: LF919QT
Meters:
Spare Parts Only: No
Bypass:

Type: RP
Size: 3/4
Manual: 9
Approved: 30-Aug-2006
Shutoffs: (hhhh),rrrrr

Manufacturer: Watts
Orientation: VD
0.25% Pb: Yes
Renewed: 30-Aug-2015

Model: LF919QT
Meters:
Spare Parts Only: No
Bypass:

Type: RP
Size: 1
Manual: 9
Approved: 12-Apr-2006
Shutoffs: (vv),xx,ooo,pppp,rrrrr

Manufacturer: Watts
Orientation: H
0.25% Pb: No
Renewed: 12-Apr-2015

Model: LF919QT
Meters:
Spare Parts Only: No
Bypass:

Type: RP
Size: 1
Manual: 9
Approved: 12-Apr-2006
Shutoffs: (hhhh),rrrrr

Manufacturer: Watts
Orientation: H
0.25% Pb: Yes
Renewed: 12-Apr-2015

Model: LF919QT
Meters:
Spare Parts Only: No
Bypass:

Type: RP
Size: 1
Manual: 9
Approved: 30-Aug-2006
Shutoffs: (vv),xx,ooo,pppp,rrrrr

Manufacturer: Watts
Orientation: VD
0.25% Pb: No
Renewed: 30-Aug-2015

Model: LF919QT
Meters:
Spare Parts Only: No
Bypass:

Type: RP
Size: 1
Manual: 9
Approved: 30-Aug-2006
Shutoffs: (hhhh),rrrrr

Manufacturer: Watts
Orientation: VD
0.25% Pb: Yes
Renewed: 30-Aug-2015

Model: LF919QT
Meters:
Spare Parts Only: No
Bypass:

Type: RP
Size: 1 1/4
Manual: 9
Approved: 12-Apr-2006
Shutoffs: (vv),xx,ooo,pppp,rrrrr

Manufacturer: Watts
Orientation: H
0.25% Pb: No
Renewed: 12-Apr-2015

Model: LF919QT
Meters:
Spare Parts Only: No
Bypass:

Type: RP	Manufacturer: Watts	Model: LF919QT
Size: 1 1/4	Orientation: H	Meters:
Manual: 9	0.25% Pb: Yes	Spare Parts Only: No
Approved: 12-Apr-2006	Renewed: 12-Apr-2015	Bypass:
Shutoffs: (hhhh),rrrr		

Type: RP	Manufacturer: Watts	Model: LF919QT
Size: 1 1/4	Orientation: VD	Meters:
Manual: 9	0.25% Pb: No	Spare Parts Only: No
Approved: 30-Aug-2006	Renewed: 30-Aug-2015	Bypass:
Shutoffs: (vv),xx,ooo,pppp,rrrr		

Type: RP	Manufacturer: Watts	Model: LF919QT
Size: 1 1/4	Orientation: VD	Meters:
Manual: 9	0.25% Pb: Yes	Spare Parts Only: No
Approved: 30-Aug-2006	Renewed: 30-Aug-2015	Bypass:
Shutoffs: (hhhh),rrrr		

Type: RP	Manufacturer: Watts	Model: LF919QT
Size: 1 1/2	Orientation: H	Meters:
Manual: 9	0.25% Pb: No	Spare Parts Only: No
Approved: 12-Apr-2006	Renewed: 12-Apr-2015	Bypass:
Shutoffs: (vv),xx,ooo,pppp,rrrr		

Type: RP	Manufacturer: Watts	Model: LF919QT
Size: 1 1/2	Orientation: H	Meters:
Manual: 9	0.25% Pb: Yes	Spare Parts Only: No
Approved: 12-Apr-2006	Renewed: 12-Apr-2015	Bypass:
Shutoffs: (hhhh),rrrr		

Type: RP	Manufacturer: Watts	Model: LF919QT
Size: 1 1/2	Orientation: VD	Meters:
Manual: 9	0.25% Pb: No	Spare Parts Only: No
Approved: 30-Aug-2006	Renewed: 30-Aug-2015	Bypass:
Shutoffs: (vv),xx,ooo,pppp,rrrr		

Type: RP	Manufacturer: Watts	Model: LF919QT
Size: 1 1/2	Orientation: VD	Meters:
Manual: 9	0.25% Pb: Yes	Spare Parts Only: No
Approved: 30-Aug-2006	Renewed: 30-Aug-2015	Bypass:
Shutoffs: (hhhh),rrrr		

Type: RP **Manufacturer:** Watts **Model:** LF919QT
Size: 2 **Orientation:** H **Meters:**
Manual: 9 **0.25% Pb:** No **Spare Parts Only:** No
Approved: 12-Apr-2006 **Renewed:** 12-Apr-2015 **Bypass:**
Shutoffs: (vv),xx,ooo,pppp,rrrrr

Type: RP **Manufacturer:** Watts **Model:** LF919QT
Size: 2 **Orientation:** H **Meters:**
Manual: 9 **0.25% Pb:** Yes **Spare Parts Only:** No
Approved: 12-Apr-2006 **Renewed:** 12-Apr-2015 **Bypass:**
Shutoffs: (hhh),rrrrr

Type: RP **Manufacturer:** Watts **Model:** LF919QT
Size: 2 **Orientation:** VD **Meters:**
Manual: 9 **0.25% Pb:** No **Spare Parts Only:** No
Approved: 30-Aug-2006 **Renewed:** 30-Aug-2015 **Bypass:**
Shutoffs: (vv),xx,ooo,pppp,rrrrr

Type: RP **Manufacturer:** Watts **Model:** LF919QT
Size: 2 **Orientation:** VD **Meters:**
Manual: 9 **0.25% Pb:** Yes **Spare Parts Only:** No
Approved: 30-Aug-2006 **Renewed:** 30-Aug-2015 **Bypass:**
Shutoffs: (hhh),rrrrr

Type: RP **Manufacturer:** Watts **Model:** LF919ZQT
Size: 3/4 **Orientation:** VUVU **Meters:**
Manual: 9 **0.25% Pb:** No **Spare Parts Only:** No
Approved: 14-Jun-2006 **Renewed:** 14-Jun-2015 **Bypass:**
Shutoffs: (vv),xx,ooo,hhhh,pppp,rrrrr

Type: RP **Manufacturer:** Watts **Model:** LF919ZQT
Size: 1 **Orientation:** VUVU **Meters:**
Manual: 9 **0.25% Pb:** No **Spare Parts Only:** No
Approved: 12-Apr-2006 **Renewed:** 12-Apr-2015 **Bypass:**
Shutoffs: (vv),xx,ooo,hhhh,pppp,rrrrr

Type: RP **Manufacturer:** Watts **Model:** LF919ZQT
Size: 1 1/4 **Orientation:** VUVU **Meters:**
Manual: 9 **0.25% Pb:** No **Spare Parts Only:** No
Approved: 12-Apr-2006 **Renewed:** 12-Apr-2015 **Bypass:**
Shutoffs: (vv),xx,ooo,hhhh,pppp,rrrrr

Type: RP
Size: 1 1/2
Manual: 9
Approved: 12-Apr-2006
Shutoffs: (vv),xx,ooo,hhhh,pppp,rrrr

Manufacturer: Watts
Orientation: VUVU
0.25% Pb: No
Renewed: 12-Apr-2015

Model: LF919ZQT
Meters:
Spare Parts Only: No
Bypass:

Type: RP
Size: 2
Manual: 9
Approved: 12-Apr-2006
Shutoffs: (vv),xx,ooo,hhhh,pppp,rrrr

Manufacturer: Watts
Orientation: VUVU
0.25% Pb: No
Renewed: 12-Apr-2015

Model: LF919ZQT
Meters:
Spare Parts Only: No
Bypass:

Type: RP
Size: 3/4
Manual: 9
Approved: 14-Jun-2006
Shutoffs: (vv),xx,ooo,pppp

Manufacturer: Watts
Orientation: VUVD
0.25% Pb: No
Renewed: 14-Jun-2015

Model: LFU919AQT
Meters:
Spare Parts Only: No
Bypass:

Type: RP
Size: 3/4
Manual: 9
Approved: 14-Jun-2006
Shutoffs: hhhh

Manufacturer: Watts
Orientation: VUVD
0.25% Pb: Yes
Renewed: 14-Jun-2015

Model: LFU919AQT
Meters:
Spare Parts Only: No
Bypass:

Type: RP
Size: 1
Manual: 9
Approved: 12-Apr-2006
Shutoffs: (vv),xx,ooo,pppp

Manufacturer: Watts
Orientation: VUVD
0.25% Pb: No
Renewed: 12-Apr-2015

Model: LFU919AQT
Meters:
Spare Parts Only: No
Bypass:

Type: RP
Size: 1
Manual: 9
Approved: 12-Apr-2006
Shutoffs: hhhh

Manufacturer: Watts
Orientation: VUVD
0.25% Pb: Yes
Renewed: 12-Apr-2015

Model: LFU919AQT
Meters:
Spare Parts Only: No
Bypass:

Type: RP
Size: 1 1/4
Manual: 9
Approved: 12-Apr-2006
Shutoffs: (vv),xx,ooo,pppp

Manufacturer: Watts
Orientation: VUVD
0.25% Pb: No
Renewed: 12-Apr-2015

Model: LFU919AQT
Meters:
Spare Parts Only: No
Bypass:

Type: RP
Size: 1 1/4
Manual: 9
Approved: 12-Apr-2006
Shutoffs: hhhh

Manufacturer: Watts
Orientation: VUVD
0.25% Pb: Yes
Renewed: 12-Apr-2015

Model: LFU919AQT
Meters:
Spare Parts Only: No
Bypass:

Type: RP
Size: 1 1/2
Manual: 9
Approved: 12-Apr-2006
Shutoffs: (vv),xx,ooo,pppp

Manufacturer: Watts
Orientation: VUVD
0.25% Pb: No
Renewed: 12-Apr-2015

Model: LFU919AQT
Meters:
Spare Parts Only: No
Bypass:

Type: RP
Size: 1 1/2
Manual: 9
Approved: 12-Apr-2006
Shutoffs: hhhh

Manufacturer: Watts
Orientation: VUVD
0.25% Pb: Yes
Renewed: 12-Apr-2015

Model: LFU919AQT
Meters:
Spare Parts Only: No
Bypass:

Type: RP
Size: 2
Manual: 9
Approved: 12-Apr-2006
Shutoffs: (vv),xx,ooo,pppp

Manufacturer: Watts
Orientation: VUVD
0.25% Pb: No
Renewed: 12-Apr-2015

Model: LFU919AQT
Meters:
Spare Parts Only: No
Bypass:

Type: RP
Size: 2
Manual: 9
Approved: 12-Apr-2006
Shutoffs: hhhh

Manufacturer: Watts
Orientation: VUVD
0.25% Pb: Yes
Renewed: 12-Apr-2015

Model: LFU919AQT
Meters:
Spare Parts Only: No
Bypass:

Type: RP
Size: 1
Manual: 9
Approved: 12-Apr-2006
Shutoffs: (vv),xx,ooo,pppp

Manufacturer: Watts
Orientation: H
0.25% Pb: No
Renewed: 12-Apr-2015

Model: LFU919QT
Meters:
Spare Parts Only: No
Bypass:

Type: RP
Size: 1
Manual: 9
Approved: 12-Apr-2006
Shutoffs: hhhh

Manufacturer: Watts
Orientation: H
0.25% Pb: Yes
Renewed: 12-Apr-2015

Model: LFU919QT
Meters:
Spare Parts Only: No
Bypass:

Type: RP
Size: 1
Manual: 9
Approved: 30-Aug-2006
Shutoffs: (vv),xx,ooo,pppp

Manufacturer: Watts
Orientation: VD
0.25% Pb: No
Renewed: 30-Aug-2015

Model: LFU919QT
Meters:
Spare Parts Only: No
Bypass:

Type: RP
Size: 1
Manual: 9
Approved: 30-Aug-2006
Shutoffs: hhhh

Manufacturer: Watts
Orientation: VD
0.25% Pb: Yes
Renewed: 30-Aug-2015

Model: LFU919QT
Meters:
Spare Parts Only: No
Bypass:

Type: RP
Size: 1 1/4
Manual: 9
Approved: 12-Apr-2006
Shutoffs: (vv),xx,ooo,pppp

Manufacturer: Watts
Orientation: H
0.25% Pb: No
Renewed: 12-Apr-2015

Model: LFU919QT
Meters:
Spare Parts Only: No
Bypass:

Type: RP
Size: 1 1/4
Manual: 9
Approved: 12-Apr-2006
Shutoffs: hhhh

Manufacturer: Watts
Orientation: H
0.25% Pb: Yes
Renewed: 12-Apr-2015

Model: LFU919QT
Meters:
Spare Parts Only: No
Bypass:

Type: RP
Size: 1 1/4
Manual: 9
Approved: 30-Aug-2006
Shutoffs: (vv),xx,ooo,pppp

Manufacturer: Watts
Orientation: VD
0.25% Pb: No
Renewed: 30-Aug-2015

Model: LFU919QT
Meters:
Spare Parts Only: No
Bypass:

Type: RP
Size: 1 1/4
Manual: 9
Approved: 30-Aug-2006
Shutoffs: hhhh

Manufacturer: Watts
Orientation: VD
0.25% Pb: Yes
Renewed: 30-Aug-2015

Model: LFU919QT
Meters:
Spare Parts Only: No
Bypass:

Type: RP
Size: 1 1/2
Manual: 9
Approved: 12-Apr-2006
Shutoffs: (vv),xx,ooo,pppp

Manufacturer: Watts
Orientation: H
0.25% Pb: No
Renewed: 12-Apr-2015

Model: LFU919QT
Meters:
Spare Parts Only: No
Bypass:

Type: RP
Size: 1 1/2
Manual: 9
Approved: 12-Apr-2006
Shutoffs: hhhh

Manufacturer: Watts
Orientation: H
0.25% Pb: Yes
Renewed: 12-Apr-2015

Model: LFU919QT
Meters:
Spare Parts Only: No
Bypass:

Type: RP
Size: 1 1/2
Manual: 9
Approved: 30-Aug-2006
Shutoffs: (vv),xx,ooo,pppp

Manufacturer: Watts
Orientation: VD
0.25% Pb: No
Renewed: 30-Aug-2015

Model: LFU919QT
Meters:
Spare Parts Only: No
Bypass:

Type: RP
Size: 1 1/2
Manual: 9
Approved: 30-Aug-2006
Shutoffs: hhhh

Manufacturer: Watts
Orientation: VD
0.25% Pb: Yes
Renewed: 30-Aug-2015

Model: LFU919QT
Meters:
Spare Parts Only: No
Bypass:

Type: RP
Size: 2
Manual: 9
Approved: 12-Apr-2006
Shutoffs: (vv),xx,ooo,pppp

Manufacturer: Watts
Orientation: H
0.25% Pb: No
Renewed: 12-Apr-2015

Model: LFU919QT
Meters:
Spare Parts Only: No
Bypass:

Type: RP
Size: 2
Manual: 9
Approved: 12-Apr-2006
Shutoffs: hhhh

Manufacturer: Watts
Orientation: H
0.25% Pb: Yes
Renewed: 12-Apr-2015

Model: LFU919QT
Meters:
Spare Parts Only: No
Bypass:

Type: RP
Size: 2
Manual: 9
Approved: 30-Aug-2006
Shutoffs: (vv),xx,ooo,pppp

Manufacturer: Watts
Orientation: VD
0.25% Pb: No
Renewed: 30-Aug-2015

Model: LFU919QT
Meters:
Spare Parts Only: No
Bypass:

Type: RP
Size: 2
Manual: 9
Approved: 30-Aug-2006
Shutoffs: hhhh

Manufacturer: Watts
Orientation: VD
0.25% Pb: Yes
Renewed: 30-Aug-2015

Model: LFU919QT
Meters:
Spare Parts Only: No
Bypass:

Type: RP
Size: 1/4
Manual: 9
Approved: 19-Dec-2001
Shutoffs: (hhh)

Manufacturer: Watts
Orientation: H
0.25% Pb: Yes
Renewed: 19-Dec-2013

Model: SS009M3QT
Meters:
Spare Parts Only: No
Bypass:

Type: RP
Size: 3/8
Manual: 9
Approved: 19-Dec-2001
Shutoffs: (hhh)

Manufacturer: Watts
Orientation: H
0.25% Pb: Yes
Renewed: 19-Dec-2013

Model: SS009M3QT
Meters:
Spare Parts Only: No
Bypass:

Type: RP
Size: 1/2
Manual: 9
Approved: 19-Dec-2001
Shutoffs: (hhh)

Manufacturer: Watts
Orientation: H
0.25% Pb: Yes
Renewed: 19-Dec-2013

Model: SS009M3QT
Meters:
Spare Parts Only: No
Bypass:

Type: RP
Size: 3/4
Manual: 9
Approved: 31-Jul-2001
Shutoffs: (hhh)

Manufacturer: Watts
Orientation: H
0.25% Pb: Yes
Renewed: 31-Jul-2013

Model: SS009M3QT
Meters:
Spare Parts Only: No
Bypass:

Type: RP
Size: 1
Manual:
Approved: 18-May-1998
Shutoffs: (hhh)

Manufacturer: Watts
Orientation: H
0.25% Pb: No
Renewed: 18-May-2013

Model: SS009QT
Meters:
Spare Parts Only: No
Bypass:

Type: RP
Size: 3/4
Manual: 8
Approved: 10-Dec-1993
Shutoffs: (vv),xx,ooo,hhhh,pppp

Manufacturer: Watts
Orientation: VDVD
0.25% Pb: No
Renewed: 10-Dec-2014

Model: U009APCQT
Meters:
Spare Parts Only: No
Bypass:

Type: RP
Size: 3/4
Manual: 8
Approved: 10-Dec-1993
Shutoffs: (vv),xx,ooo,hhhh,pppp

Manufacturer: Watts
Orientation: VDVU
0.25% Pb: No
Renewed: 10-Dec-2014

Model: U009APCQT
Meters:
Spare Parts Only: No
Bypass:

Type: RP	Manufacturer: Watts	Model: U009APCQT
Size: 3/4	Orientation: VUVD	Meters:
Manual: 8	0.25% Pb: No	Spare Parts Only: No
Approved: 10-Dec-1993	Renewed: 10-Dec-2014	Bypass:
Shutoffs: (vv),xx,ooo,hhhh,pppp		

Type: RP	Manufacturer: Watts	Model: U009APCQT
Size: 3/4	Orientation: VUVU	Meters:
Manual: 8	0.25% Pb: No	Spare Parts Only: No
Approved: 10-Dec-1993	Renewed: 10-Dec-2014	Bypass:
Shutoffs: (vv),xx,ooo,hhhh,pppp		

Type: RP	Manufacturer: Watts	Model: U009APCQT
Size: 1	Orientation: VDVD	Meters:
Manual: 8	0.25% Pb: No	Spare Parts Only: Yes
Approved: 10-Dec-1993	Renewed: 10-Dec-2014	Bypass:
Shutoffs: vv,xx,ooo,hhhh,pppp		

Type: RP	Manufacturer: Watts	Model: U009APCQT
Size: 1	Orientation: VDVU	Meters:
Manual: 8	0.25% Pb: No	Spare Parts Only: Yes
Approved: 10-Dec-1993	Renewed: 10-Dec-2014	Bypass:
Shutoffs: vv,xx,ooo,hhhh,pppp		

Type: RP	Manufacturer: Watts	Model: U009APCQT
Size: 1	Orientation: VUVD	Meters:
Manual: 8	0.25% Pb: No	Spare Parts Only: Yes
Approved: 10-Dec-1993	Renewed: 10-Dec-2014	Bypass:
Shutoffs: vv,xx,ooo,hhhh,pppp		

Type: RP	Manufacturer: Watts	Model: U009APCQT
Size: 1	Orientation: VUVU	Meters:
Manual: 8	0.25% Pb: No	Spare Parts Only: Yes
Approved: 10-Dec-1993	Renewed: 10-Dec-2014	Bypass:
Shutoffs: vv,xx,ooo,hhhh,pppp		

Type: RP	Manufacturer: Watts	Model: U009AQT
Size: 3/4	Orientation: VDVD	Meters:
Manual: 8	0.25% Pb: No	Spare Parts Only: No
Approved: 12-Jun-1992	Renewed: 12-Jun-2013	Bypass:
Shutoffs: (vv),xx,ooo,hhhh,pppp		

Type: RP	Manufacturer: Watts	Model: U009AQT
Size: 3/4	Orientation: VD VU	Meters:
Manual: 8	0.25% Pb: No	Spare Parts Only: No
Approved: 12-Jun-1992	Renewed: 12-Jun-2013	Bypass:
Shutoffs: (vv),xx,ooo,hhhh,pppp		

Type: RP	Manufacturer: Watts	Model: U009AQT
Size: 3/4	Orientation: VUVD	Meters:
Manual: 8	0.25% Pb: No	Spare Parts Only: No
Approved: 12-Jun-1992	Renewed: 12-Jun-2013	Bypass:
Shutoffs: (vv),xx,ooo,hhhh,pppp		

Type: RP	Manufacturer: Watts	Model: U009AQT
Size: 3/4	Orientation: VUVU	Meters:
Manual: 8	0.25% Pb: No	Spare Parts Only: No
Approved: 12-Jun-1992	Renewed: 12-Jun-2013	Bypass:
Shutoffs: (vv),xx,ooo,hhhh,pppp		

Type: RP	Manufacturer: Watts	Model: U009AQT
Size: 1	Orientation: VDVD	Meters:
Manual: 8	0.25% Pb: No	Spare Parts Only: Yes
Approved: 12-Jun-1992	Renewed: 12-Jun-2013	Bypass:
Shutoffs: vv,xx,ooo,hhhh,pppp		

Type: RP	Manufacturer: Watts	Model: U009AQT
Size: 1	Orientation: VD VU	Meters:
Manual: 8	0.25% Pb: No	Spare Parts Only: Yes
Approved: 12-Jun-1992	Renewed: 12-Jun-2013	Bypass:
Shutoffs: vv,xx,ooo,hhhh,pppp		

Type: RP	Manufacturer: Watts	Model: U009AQT
Size: 1	Orientation: VUVD	Meters:
Manual: 8	0.25% Pb: No	Spare Parts Only: Yes
Approved: 12-Jun-1992	Renewed: 12-Jun-2013	Bypass:
Shutoffs: vv,xx,ooo,hhhh,pppp		

Type: RP	Manufacturer: Watts	Model: U009AQT
Size: 1	Orientation: VUVU	Meters:
Manual: 8	0.25% Pb: No	Spare Parts Only: Yes
Approved: 12-Jun-1992	Renewed: 12-Jun-2013	Bypass:
Shutoffs: vv,xx,ooo,hhhh,pppp		

Type: RP
Size: 1 1/2
Manual: 8
Approved: 27-Sep-1994
Shutoffs: vv,xx,ooo,hhhh,pppp

Manufacturer: Watts
Orientation: VDVD
0.25% Pb: No
Renewed: 27-Sep-2015

Model: U009M1APCQT
Meters:
Spare Parts Only: Yes
Bypass:

Type: RP
Size: 1 1/2
Manual: 8
Approved: 27-Sep-1994
Shutoffs: vv,xx,ooo,hhhh,pppp

Manufacturer: Watts
Orientation: VDVU
0.25% Pb: No
Renewed: 27-Sep-2015

Model: U009M1APCQT
Meters:
Spare Parts Only: Yes
Bypass:

Type: RP
Size: 1 1/2
Manual: 8
Approved: 27-Sep-1994
Shutoffs: vv,xx,ooo,hhhh,pppp

Manufacturer: Watts
Orientation: VUVD
0.25% Pb: No
Renewed: 27-Sep-2015

Model: U009M1APCQT
Meters:
Spare Parts Only: Yes
Bypass:

Type: RP
Size: 1 1/2
Manual: 8
Approved: 27-Sep-1994
Shutoffs: vv,xx,ooo,hhhh,pppp

Manufacturer: Watts
Orientation: VUVU
0.25% Pb: No
Renewed: 27-Sep-2015

Model: U009M1APCQT
Meters:
Spare Parts Only: Yes
Bypass:

Type: RP
Size: 2
Manual: 8
Approved: 27-Sep-1994
Shutoffs: vv,xx,ooo,hhhh,pppp

Manufacturer: Watts
Orientation: VDVD
0.25% Pb: No
Renewed: 27-Sep-2015

Model: U009M1APCQT
Meters:
Spare Parts Only: Yes
Bypass:

Type: RP
Size: 2
Manual: 8
Approved: 27-Sep-1994
Shutoffs: vv,xx,ooo,hhhh,pppp

Manufacturer: Watts
Orientation: VDVU
0.25% Pb: No
Renewed: 27-Sep-2015

Model: U009M1APCQT
Meters:
Spare Parts Only: Yes
Bypass:

Type: RP
Size: 2
Manual: 8
Approved: 27-Sep-1994
Shutoffs: vv,xx,ooo,hhhh,pppp

Manufacturer: Watts
Orientation: VUVD
0.25% Pb: No
Renewed: 27-Sep-2015

Model: U009M1APCQT
Meters:
Spare Parts Only: Yes
Bypass:

Type: RP	Manufacturer: Watts	Model: U009M1APCQT
Size: 2	Orientation: VUVU	Meters:
Manual: 8	0.25% Pb: No	Spare Parts Only: Yes
Approved: 27-Sep-1994	Renewed: 27-Sep-2015	Bypass:
Shutoffs: vv,xx,ooo,hhhh,pppp		

Type: RP	Manufacturer: Watts	Model: U009M1AQT
Size: 1 1/2	Orientation: VDVD	Meters:
Manual: 8	0.25% Pb: No	Spare Parts Only: Yes
Approved: 16-Dec-1992	Renewed: 16-Dec-2013	Bypass:
Shutoffs: vv,xx,ooo,hhhh,pppp		

Type: RP	Manufacturer: Watts	Model: U009M1AQT
Size: 1 1/2	Orientation: VDVU	Meters:
Manual: 8	0.25% Pb: No	Spare Parts Only: Yes
Approved: 16-Dec-1992	Renewed: 16-Dec-2013	Bypass:
Shutoffs: vv,xx,ooo,hhhh,pppp		

Type: RP	Manufacturer: Watts	Model: U009M1AQT
Size: 1 1/2	Orientation: VUVD	Meters:
Manual: 8	0.25% Pb: No	Spare Parts Only: Yes
Approved: 16-Dec-1992	Renewed: 16-Dec-2013	Bypass:
Shutoffs: vv,xx,ooo,hhhh,pppp		

Type: RP	Manufacturer: Watts	Model: U009M1AQT
Size: 1 1/2	Orientation: VUVU	Meters:
Manual: 8	0.25% Pb: No	Spare Parts Only: Yes
Approved: 16-Dec-1992	Renewed: 16-Dec-2013	Bypass:
Shutoffs: vv,xx,ooo,hhhh,pppp		

Type: RP	Manufacturer: Watts	Model: U009M1AQT
Size: 2	Orientation: VDVD	Meters:
Manual: 8	0.25% Pb: No	Spare Parts Only: Yes
Approved: 09-Nov-1992	Renewed: 09-Nov-2013	Bypass:
Shutoffs: vv,xx,ooo,hhhh,pppp		

Type: RP	Manufacturer: Watts	Model: U009M1AQT
Size: 2	Orientation: VDVU	Meters:
Manual: 8	0.25% Pb: No	Spare Parts Only: Yes
Approved: 09-Nov-1992	Renewed: 09-Nov-2013	Bypass:
Shutoffs: vv,xx,ooo,hhhh,pppp		

Type: RP **Manufacturer:** Watts **Model:** U009M1AQT
Size: 2 **Orientation:** VUVD **Meters:**
Manual: 8 **0.25% Pb:** No **Spare Parts Only:** Yes
Approved: 09-Nov-1992 **Renewed:** 09-Nov-2013 **Bypass:**
Shutoffs: vv,xx,ooo,hhhh,pppp

Type: RP **Manufacturer:** Watts **Model:** U009M1AQT
Size: 2 **Orientation:** VUVU **Meters:**
Manual: 8 **0.25% Pb:** No **Spare Parts Only:** Yes
Approved: 09-Nov-1992 **Renewed:** 09-Nov-2013 **Bypass:**
Shutoffs: vv,xx,ooo,hhhh,pppp

Type: RP **Manufacturer:** Watts **Model:** U009M1PCQT
Size: 1 1/4 **Orientation:** H **Meters:**
Manual: 8 **0.25% Pb:** No **Spare Parts Only:** No
Approved: 27-Sep-1994 **Renewed:** 27-Sep-2015 **Bypass:**
Shutoffs: (vv),xx,ooo,hhhh,pppp

Type: RP **Manufacturer:** Watts **Model:** U009M1PCQT
Size: 1 1/2 **Orientation:** H **Meters:**
Manual: 8 **0.25% Pb:** No **Spare Parts Only:** No
Approved: 27-Sep-1994 **Renewed:** 27-Sep-2015 **Bypass:**
Shutoffs: (vv),xx,ooo,hhhh,pppp

Type: RP **Manufacturer:** Watts **Model:** U009M1PCQT
Size: 2 **Orientation:** H **Meters:**
Manual: 8 **0.25% Pb:** No **Spare Parts Only:** No
Approved: 27-Sep-1994 **Renewed:** 27-Sep-2015 **Bypass:**
Shutoffs: (vv),xx,ooo,hhhh,pppp

Type: RP **Manufacturer:** Watts **Model:** U009M1QT
Size: 1 1/4 **Orientation:** H **Meters:**
Manual: 8 **0.25% Pb:** No **Spare Parts Only:** No
Approved: 30-Jun-1992 **Renewed:** 30-Jun-2013 **Bypass:**
Shutoffs: (vv),xx,ooo,hhhh,pppp

Type: RP **Manufacturer:** Watts **Model:** U009M1QT
Size: 1 1/2 **Orientation:** H **Meters:**
Manual: 8 **0.25% Pb:** No **Spare Parts Only:** Yes
Approved: 30-Jun-1992 **Renewed:** 30-Jun-2013 **Bypass:**
Shutoffs: vv,xx,ooo,hhhh,pppp

Type: RP
Size: 2
Manual: 8
Approved: 30-Jun-1992
Shutoffs: vv,xx,ooo,hhhh,pppp

Manufacturer: Watts
Orientation: H
0.25% Pb: No
Renewed: 30-Jun-2013

Model: U009M1QT
Meters:
Spare Parts Only: Yes
Bypass:

Type: RP
Size: 1
Manual: 9
Approved: 15-Jan-1999
Shutoffs: (vv),xx,ooo,hhhh,pppp

Manufacturer: Watts
Orientation: VDVD
0.25% Pb: No
Renewed: 15-Jan-2014

Model: U009M2APCQT
Meters:
Spare Parts Only: No
Bypass:

Type: RP
Size: 1
Manual: 9
Approved: 15-Jan-1999
Shutoffs: (vv),xx,ooo,hhhh,pppp

Manufacturer: Watts
Orientation: VDVU
0.25% Pb: No
Renewed: 15-Jan-2014

Model: U009M2APCQT
Meters:
Spare Parts Only: No
Bypass:

Type: RP
Size: 1
Manual: 9
Approved: 15-Jan-1999
Shutoffs: (vv),xx,ooo,hhhh,pppp

Manufacturer: Watts
Orientation: VUVD
0.25% Pb: No
Renewed: 15-Jan-2014

Model: U009M2APCQT
Meters:
Spare Parts Only: No
Bypass:

Type: RP
Size: 1
Manual: 9
Approved: 15-Jan-1999
Shutoffs: (vv),xx,ooo,hhhh,pppp

Manufacturer: Watts
Orientation: VUVU
0.25% Pb: No
Renewed: 15-Jan-2014

Model: U009M2APCQT
Meters:
Spare Parts Only: No
Bypass:

Type: RP
Size: 1 1/2
Manual: 8
Approved: 12-Sep-1994
Shutoffs: (vv),xx,ooo,hhhh,pppp

Manufacturer: Watts
Orientation: VDVD
0.25% Pb: No
Renewed: 12-Sep-2015

Model: U009M2APCQT
Meters:
Spare Parts Only: No
Bypass:

Type: RP
Size: 1 1/2
Manual: 8
Approved: 12-Sep-1994
Shutoffs: (vv),xx,ooo,hhhh,pppp

Manufacturer: Watts
Orientation: VDVU
0.25% Pb: No
Renewed: 12-Sep-2015

Model: U009M2APCQT
Meters:
Spare Parts Only: No
Bypass:

Type: RP **Manufacturer:** Watts **Model:** U009M2APCQT
Size: 1 1/2 **Orientation:** VUVD **Meters:**
Manual: 8 **0.25% Pb:** No **Spare Parts Only:** No
Approved: 12-Sep-1994 **Renewed:** 12-Sep-2015 **Bypass:**
Shutoffs: (vv),xx,ooo,hhhh,pppp

Type: RP **Manufacturer:** Watts **Model:** U009M2APCQT
Size: 1 1/2 **Orientation:** VUVU **Meters:**
Manual: 8 **0.25% Pb:** No **Spare Parts Only:** No
Approved: 12-Sep-1994 **Renewed:** 12-Sep-2015 **Bypass:**
Shutoffs: (vv),xx,ooo,hhhh,pppp

Type: RP **Manufacturer:** Watts **Model:** U009M2APCQT
Size: 2 **Orientation:** VDVD **Meters:**
Manual: 9 **0.25% Pb:** No **Spare Parts Only:** No
Approved: 26-Aug-1997 **Renewed:** 26-Aug-2015 **Bypass:**
Shutoffs: (vv),xx,ooo,hhhh,pppp

Type: RP **Manufacturer:** Watts **Model:** U009M2APCQT
Size: 2 **Orientation:** VDVU **Meters:**
Manual: 9 **0.25% Pb:** No **Spare Parts Only:** No
Approved: 26-Aug-1997 **Renewed:** 26-Aug-2015 **Bypass:**
Shutoffs: (vv),xx,ooo,hhhh,pppp

Type: RP **Manufacturer:** Watts **Model:** U009M2APCQT
Size: 2 **Orientation:** VUVD **Meters:**
Manual: 9 **0.25% Pb:** No **Spare Parts Only:** No
Approved: 26-Aug-1997 **Renewed:** 26-Aug-2015 **Bypass:**
Shutoffs: (vv),xx,ooo,hhhh,pppp

Type: RP **Manufacturer:** Watts **Model:** U009M2APCQT
Size: 2 **Orientation:** VUVU **Meters:**
Manual: 9 **0.25% Pb:** No **Spare Parts Only:** No
Approved: 26-Aug-1997 **Renewed:** 26-Aug-2015 **Bypass:**
Shutoffs: (vv),xx,ooo,hhhh,pppp

Type: RP **Manufacturer:** Watts **Model:** U009M2AQT
Size: 1 **Orientation:** VDVD **Meters:**
Manual: 9 **0.25% Pb:** No **Spare Parts Only:** No
Approved: 15-Jan-1999 **Renewed:** 15-Jan-2014 **Bypass:**
Shutoffs: (vv),xx,ooo,hhhh,pppp

Type: RP
Size: 1
Manual: 9
Approved: 15-Jan-1999
Shutoffs: (vv),xx,ooo,hhhh,pppp

Manufacturer: Watts
Orientation: VDVU
0.25% Pb: No
Renewed: 15-Jan-2014

Model: U009M2AQT
Meters:
Spare Parts Only: No
Bypass:

Type: RP
Size: 1
Manual: 9
Approved: 15-Jan-1999
Shutoffs: (vv),xx,ooo,hhhh,pppp

Manufacturer: Watts
Orientation: VUVD
0.25% Pb: No
Renewed: 15-Jan-2014

Model: U009M2AQT
Meters:
Spare Parts Only: No
Bypass:

Type: RP
Size: 1
Manual: 9
Approved: 15-Jan-1999
Shutoffs: (vv),xx,ooo,hhhh,pppp

Manufacturer: Watts
Orientation: VUVU
0.25% Pb: No
Renewed: 15-Jan-2014

Model: U009M2AQT
Meters:
Spare Parts Only: No
Bypass:

Type: RP
Size: 1 1/2
Manual: 8
Approved: 24-Aug-1993
Shutoffs: (vv),xx,ooo,hhhh,pppp

Manufacturer: Watts
Orientation: VDVD
0.25% Pb: No
Renewed: 24-Aug-2014

Model: U009M2AQT
Meters:
Spare Parts Only: No
Bypass:

Type: RP
Size: 1 1/2
Manual: 8
Approved: 24-Aug-1993
Shutoffs: (vv),xx,ooo,hhhh,pppp

Manufacturer: Watts
Orientation: VDVU
0.25% Pb: No
Renewed: 24-Aug-2014

Model: U009M2AQT
Meters:
Spare Parts Only: No
Bypass:

Type: RP
Size: 1 1/2
Manual: 8
Approved: 24-Aug-1993
Shutoffs: (vv),xx,ooo,hhhh,pppp

Manufacturer: Watts
Orientation: VUVD
0.25% Pb: No
Renewed: 24-Aug-2014

Model: U009M2AQT
Meters:
Spare Parts Only: No
Bypass:

Type: RP
Size: 1 1/2
Manual: 8
Approved: 24-Aug-1993
Shutoffs: (vv),xx,ooo,hhhh,pppp

Manufacturer: Watts
Orientation: VUVU
0.25% Pb: No
Renewed: 24-Aug-2014

Model: U009M2AQT
Meters:
Spare Parts Only: No
Bypass:

Type: RP **Manufacturer:** Watts **Model:** U009M2AQT
Size: 2 **Orientation:** VDVD **Meters:**
Manual: 9 **0.25% Pb:** No **Spare Parts Only:** No
Approved: 26-Aug-1997 **Renewed:** 26-Aug-2015 **Bypass:**
Shutoffs: (vv),xx,ooo,hhhh,pppp

Type: RP **Manufacturer:** Watts **Model:** U009M2AQT
Size: 2 **Orientation:** VDVU **Meters:**
Manual: 9 **0.25% Pb:** No **Spare Parts Only:** No
Approved: 26-Aug-1997 **Renewed:** 26-Aug-2015 **Bypass:**
Shutoffs: (vv),xx,ooo,hhhh,pppp

Type: RP **Manufacturer:** Watts **Model:** U009M2AQT
Size: 2 **Orientation:** VUVD **Meters:**
Manual: 9 **0.25% Pb:** No **Spare Parts Only:** No
Approved: 26-Aug-1997 **Renewed:** 26-Aug-2015 **Bypass:**
Shutoffs: (vv),xx,ooo,hhhh,pppp

Type: RP **Manufacturer:** Watts **Model:** U009M2AQT
Size: 2 **Orientation:** VUVU **Meters:**
Manual: 9 **0.25% Pb:** No **Spare Parts Only:** No
Approved: 26-Aug-1997 **Renewed:** 26-Aug-2015 **Bypass:**
Shutoffs: (vv),xx,ooo,hhhh,pppp

Type: RP **Manufacturer:** Watts **Model:** U009M2PCQT
Size: 1 **Orientation:** H **Meters:**
Manual: 9 **0.25% Pb:** No **Spare Parts Only:** No
Approved: 15-Jan-1999 **Renewed:** 15-Jan-2014 **Bypass:**
Shutoffs: (vv),xx,ooo,hhhh,pppp

Type: RP **Manufacturer:** Watts **Model:** U009M2PCQT
Size: 1 1/2 **Orientation:** H **Meters:**
Manual: 8 **0.25% Pb:** No **Spare Parts Only:** No
Approved: 12-Sep-1994 **Renewed:** 12-Sep-2015 **Bypass:**
Shutoffs: (vv),xx,ooo,hhhh,pppp

Type: RP **Manufacturer:** Watts **Model:** U009M2PCQT
Size: 2 **Orientation:** H **Meters:**
Manual: 9 **0.25% Pb:** No **Spare Parts Only:** No
Approved: 26-Aug-1997 **Renewed:** 26-Aug-2015 **Bypass:**
Shutoffs: (vv),xx,ooo,hhhh,pppp

Type: RP	Manufacturer: Watts	Model: U009M2QT
Size: 3/4	Orientation: H	Meters:
Manual: 8	0.25% Pb: No	Spare Parts Only: No
Approved: 16-Nov-1992	Renewed: 16-Nov-2013	Bypass:
Shutoffs: (vv),xx,ooo,hhhh,pppp		

Type: RP	Manufacturer: Watts	Model: U009M2QT
Size: 1	Orientation: H	Meters:
Manual: 9	0.25% Pb: No	Spare Parts Only: No
Approved: 15-Jan-1999	Renewed: 15-Jan-2014	Bypass:
Shutoffs: (vv),xx,ooo,hhhh,pppp		

Type: RP	Manufacturer: Watts	Model: U009M2QT
Size: 1 1/2	Orientation: H	Meters:
Manual: 8	0.25% Pb: No	Spare Parts Only: No
Approved: 24-Aug-1993	Renewed: 24-Aug-2014	Bypass:
Shutoffs: (vv),xx,ooo,hhhh,pppp		

Type: RP	Manufacturer: Watts	Model: U009M2QT
Size: 2	Orientation: H	Meters:
Manual: 9	0.25% Pb: No	Spare Parts Only: No
Approved: 26-Aug-1997	Renewed: 26-Aug-2015	Bypass:
Shutoffs: (vv),xx,ooo,hhhh,pppp		

Type: RP	Manufacturer: Watts	Model: U009PCQT
Size: 1/2	Orientation: H	Meters:
Manual: 8	0.25% Pb: No	Spare Parts Only: No
Approved: 02-Feb-1995	Renewed: 02-Feb-2013	Bypass:
Shutoffs: (vv),xx,ooo,hhhh,pppp		

Type: RP	Manufacturer: Watts	Model: U009PCQT
Size: 3/4	Orientation: H	Meters:
Manual: 8	0.25% Pb: No	Spare Parts Only: No
Approved: 10-Dec-1993	Renewed: 10-Dec-2014	Bypass:
Shutoffs: (vv),xx,ooo,hhhh,pppp		

Type: RP	Manufacturer: Watts	Model: U009PCQT
Size: 1	Orientation: H	Meters:
Manual: 8	0.25% Pb: No	Spare Parts Only: Yes
Approved: 10-Dec-1993	Renewed: 10-Dec-2014	Bypass:
Shutoffs: vv,xx,ooo,hhhh,pppp		

Type: RP **Manufacturer:** Watts **Model:** U009PCQT
Size: 1 1/4 **Orientation:** H **Meters:**
Manual: 8 **0.25% Pb:** No **Spare Parts Only:** Yes
Approved: 27-Sep-1994 **Renewed:** 27-Sep-2015 **Bypass:**
Shutoffs: vv,xx,ooo,hhhh,pppp

Type: RP **Manufacturer:** Watts **Model:** U009PCQT
Size: 1 1/2 **Orientation:** H **Meters:**
Manual: 8 **0.25% Pb:** No **Spare Parts Only:** Yes
Approved: 27-Sep-1994 **Renewed:** 27-Sep-2015 **Bypass:**
Shutoffs: vv,xx,ooo,hhhh,pppp

Type: RP **Manufacturer:** Watts **Model:** U009PCQT
Size: 2 **Orientation:** H **Meters:**
Manual: 8 **0.25% Pb:** No **Spare Parts Only:** Yes
Approved: 27-Sep-1994 **Renewed:** 27-Sep-2015 **Bypass:**
Shutoffs: vv,xx,ooo,hhhh,pppp

Type: RP **Manufacturer:** Watts **Model:** U009QT
Size: 1/2 **Orientation:** H **Meters:**
Manual: 8 **0.25% Pb:** No **Spare Parts Only:** No
Approved: 02-Feb-1995 **Renewed:** 02-Feb-2013 **Bypass:**
Shutoffs: (vv),xx,ooo,hhhh,pppp

Type: RP **Manufacturer:** Watts **Model:** U009QT
Size: 3/4 **Orientation:** H **Meters:**
Manual: 7 **0.25% Pb:** No **Spare Parts Only:** Yes
Approved: 11-Jan-1988 **Renewed:** 11-Jan-2015 **Bypass:**
Shutoffs: vv,xx,ooo,hhhh,pppp

Type: RP **Manufacturer:** Watts **Model:** U009QT
Size: 1 **Orientation:** H **Meters:**
Manual: 7 **0.25% Pb:** No **Spare Parts Only:** Yes
Approved: 11-Jan-1988 **Renewed:** 11-Jan-2015 **Bypass:**
Shutoffs: vv,xx,ooo,hhhh,pppp

Type: RP **Manufacturer:** Watts **Model:** U009QT
Size: 1 1/4 **Orientation:** H **Meters:**
Manual: 7 **0.25% Pb:** No **Spare Parts Only:** Yes
Approved: 09-Aug-1988 **Renewed:** 09-Aug-2015 **Bypass:**
Shutoffs: vv,xx,ooo,hhhh,pppp

Type: RP	Manufacturer: Watts	Model: U009QT
Size: 1 1/2	Orientation: H	Meters:
Manual: 7	0.25% Pb: No	Spare Parts Only: Yes
Approved: 09-Aug-1988	Renewed: 09-Aug-2015	Bypass:
Shutoffs: vv,xx,ooo,hhhh,pppp		

Type: RP	Manufacturer: Watts	Model: U009QT
Size: 2	Orientation: H	Meters:
Manual: 7	0.25% Pb: No	Spare Parts Only: Yes
Approved: 09-Aug-1988	Renewed: 09-Aug-2015	Bypass:
Shutoffs: vv,xx,ooo,hhhh,pppp		

Type: RP	Manufacturer: Watts	Model: U009SSPCQT
Size: 3/4	Orientation: H	Meters:
Manual: 8	0.25% Pb: No	Spare Parts Only: Yes
Approved: 10-Dec-1993	Renewed: 10-Dec-2014	Bypass:
Shutoffs: vv,xx,pppp		

Type: RP	Manufacturer: Watts	Model: U009SSPCQT
Size: 1	Orientation: H	Meters:
Manual: 8	0.25% Pb: No	Spare Parts Only: Yes
Approved: 10-Dec-1993	Renewed: 10-Dec-2014	Bypass:
Shutoffs: vv,xx,pppp		

Type: RP	Manufacturer: Watts	Model: U009SSPCQT
Size: 1 1/4	Orientation: H	Meters:
Manual: 8	0.25% Pb: No	Spare Parts Only: Yes
Approved: 27-Sep-1994	Renewed: 27-Sep-2015	Bypass:
Shutoffs: vv,xx,pppp		

Type: RP	Manufacturer: Watts	Model: U009SSPCQT
Size: 1 1/2	Orientation: H	Meters:
Manual: 8	0.25% Pb: No	Spare Parts Only: Yes
Approved: 27-Sep-1994	Renewed: 27-Sep-2015	Bypass:
Shutoffs: vv,xx,pppp		

Type: RP	Manufacturer: Watts	Model: U009SSPCQT
Size: 2	Orientation: H	Meters:
Manual: 8	0.25% Pb: No	Spare Parts Only: Yes
Approved: 27-Sep-1994	Renewed: 27-Sep-2015	Bypass:
Shutoffs: vv,xx,pppp		

Type: RP **Manufacturer:** Watts **Model:** U009SSQT
Size: 3/4 **Orientation:** H **Meters:**
Manual: 7 **0.25% Pb:** No **Spare Parts Only:** Yes
Approved: 11-Jan-1988 **Renewed:** 11-Jan-2015 **Bypass:**
Shutoffs: vv,xx,pppp

Type: RP **Manufacturer:** Watts **Model:** U009SSQT
Size: 1 **Orientation:** H **Meters:**
Manual: 7 **0.25% Pb:** No **Spare Parts Only:** Yes
Approved: 11-Jan-1988 **Renewed:** 11-Jan-2015 **Bypass:**
Shutoffs: vv,xx,pppp

Type: RP **Manufacturer:** Watts **Model:** U009SSQT
Size: 1 1/4 **Orientation:** H **Meters:**
Manual: 7 **0.25% Pb:** No **Spare Parts Only:** Yes
Approved: 09-Aug-1988 **Renewed:** 09-Aug-2015 **Bypass:**
Shutoffs: vv,xx,pppp

Type: RP **Manufacturer:** Watts **Model:** U009SSQT
Size: 1 1/2 **Orientation:** H **Meters:**
Manual: 7 **0.25% Pb:** No **Spare Parts Only:** Yes
Approved: 09-Aug-1988 **Renewed:** 09-Aug-2015 **Bypass:**
Shutoffs: vv,xx,pppp

Type: RP **Manufacturer:** Watts **Model:** U009SSQT
Size: 2 **Orientation:** H **Meters:**
Manual: 7 **0.25% Pb:** No **Spare Parts Only:** Yes
Approved: 09-Aug-1988 **Renewed:** 09-Aug-2015 **Bypass:**
Shutoffs: vv,xx,pppp

Type: RP **Manufacturer:** Watts **Model:** U909HWQT
Size: 3/4 **Orientation:** H **Meters:**
Manual: 5 **0.25% Pb:** No **Spare Parts Only:** No
Approved: 29-Sep-1979 **Renewed:** 29-Sep-2015 **Bypass:**
Shutoffs: (vv),xx,ooo,hhhh,pppp

Type: RP **Manufacturer:** Watts **Model:** U909HWQT
Size: 1 **Orientation:** H **Meters:**
Manual: 5 **0.25% Pb:** No **Spare Parts Only:** No
Approved: 29-Sep-1979 **Renewed:** 29-Sep-2015 **Bypass:**
Shutoffs: (vv),xx,ooo,hhhh,pppp

Type: RP **Manufacturer:** Watts **Model:** U909QT
Size: 3/4 **Orientation:** H **Meters:**
Manual: 9 **0.25% Pb:** No **Spare Parts Only:** No
Approved: 09-Oct-1998 **Renewed:** 09-Oct-2013 **Bypass:**
Shutoffs: (vv),xx,ooo,hhhh,pppp
Notes: Approved 6th Ed. (15 Jan 1982), 9th Ed. Approval for S/N 464100 and higher

Type: RP **Manufacturer:** Watts **Model:** U909QT
Size: 3/4 **Orientation:** VU **Meters:**
Manual: 9 **0.25% Pb:** No **Spare Parts Only:** No
Approved: 09-Oct-1998 **Renewed:** 09-Oct-2013 **Bypass:**
Shutoffs: (vv),xx,ooo,hhhh,pppp
Notes: S/N 464100 and greater

Type: RP **Manufacturer:** Watts **Model:** U909QT
Size: 1 **Orientation:** H **Meters:**
Manual: 9 **0.25% Pb:** No **Spare Parts Only:** No
Approved: 09-Oct-1998 **Renewed:** 09-Oct-2013 **Bypass:**
Shutoffs: (vv),xx,ooo,hhhh,pppp
Notes: Approved 6th Ed. (15 Jan 1982), 9th Ed. Approval for S/N 464100 and higher

Type: RP **Manufacturer:** Watts **Model:** U909QT
Size: 1 **Orientation:** VU **Meters:**
Manual: 9 **0.25% Pb:** No **Spare Parts Only:** No
Approved: 09-Oct-1998 **Renewed:** 09-Oct-2013 **Bypass:**
Shutoffs: (vv),xx,ooo,hhhh,pppp
Notes: S/N 464100 and greater

Type: RP **Manufacturer:** Watts **Model:** U919AQT
Size: 3/4 **Orientation:** VUVD **Meters:**
Manual: 9 **0.25% Pb:** No **Spare Parts Only:** No
Approved: 14-Jun-2006 **Renewed:** 14-Jun-2015 **Bypass:**
Shutoffs: (vv),xx,ooo,hhhh,pppp

Type: RP **Manufacturer:** Watts **Model:** U919AQT
Size: 1 **Orientation:** VUVD **Meters:**
Manual: 9 **0.25% Pb:** No **Spare Parts Only:** No
Approved: 01-Jun-2006 **Renewed:** 01-Jun-2015 **Bypass:**
Shutoffs: (vv),xx,ooo,hhhh,pppp

Type: RP
Size: 1 1/4
Manual: 9
Approved: 01-Jun-2006
Shutoffs: (vv),xx,ooo,hhhh,pppp

Manufacturer: Watts
Orientation: VUVD
0.25% Pb: No
Renewed: 01-Jun-2015

Model: U919AQT
Meters:
Spare Parts Only: No
Bypass:

Type: RP
Size: 1 1/2
Manual: 9
Approved: 01-Jun-2006
Shutoffs: (vv),xx,ooo,hhhh,pppp

Manufacturer: Watts
Orientation: VUVD
0.25% Pb: No
Renewed: 01-Jun-2015

Model: U919AQT
Meters:
Spare Parts Only: No
Bypass:

Type: RP
Size: 2
Manual: 9
Approved: 01-Jun-2006
Shutoffs: (vv),xx,ooo,hhhh,pppp

Manufacturer: Watts
Orientation: VUVD
0.25% Pb: No
Renewed: 01-Jun-2015

Model: U919AQT
Meters:
Spare Parts Only: No
Bypass:

Type: RP
Size: 1
Manual: 9
Approved: 01-Jun-2006
Shutoffs: (vv),xx,ooo,hhhh,pppp

Manufacturer: Watts
Orientation: H
0.25% Pb: No
Renewed: 01-Jun-2015

Model: U919QT
Meters:
Spare Parts Only: No
Bypass:

Type: RP
Size: 1
Manual: 9
Approved: 30-Aug-2006
Shutoffs: (vv),xx,ooo,hhhh,pppp

Manufacturer: Watts
Orientation: VD
0.25% Pb: No
Renewed: 30-Aug-2015

Model: U919QT
Meters:
Spare Parts Only: No
Bypass:

Type: RP
Size: 1 1/4
Manual: 9
Approved: 01-Jun-2006
Shutoffs: (vv),xx,ooo,hhhh,pppp

Manufacturer: Watts
Orientation: H
0.25% Pb: No
Renewed: 01-Jun-2015

Model: U919QT
Meters:
Spare Parts Only: No
Bypass:

Type: RP
Size: 1 1/4
Manual: 9
Approved: 30-Aug-2006
Shutoffs: (vv),xx,ooo,hhhh,pppp

Manufacturer: Watts
Orientation: VD
0.25% Pb: No
Renewed: 30-Aug-2015

Model: U919QT
Meters:
Spare Parts Only: No
Bypass:

Type: RP **Manufacturer:** Watts **Model:** U919QT
Size: 1 1/2 **Orientation:** H **Meters:**
Manual: 9 **0.25% Pb:** No **Spare Parts Only:** No
Approved: 01-Jun-2006 **Renewed:** 01-Jun-2015 **Bypass:**
Shutoffs: (vv),xx,ooo,hhhh,pppp

Type: RP **Manufacturer:** Watts **Model:** U919QT
Size: 1 1/2 **Orientation:** VD **Meters:**
Manual: 9 **0.25% Pb:** No **Spare Parts Only:** No
Approved: 30-Aug-2006 **Renewed:** 30-Aug-2015 **Bypass:**
Shutoffs: (vv),xx,ooo,hhhh,pppp

Type: RP **Manufacturer:** Watts **Model:** U919QT
Size: 2 **Orientation:** H **Meters:**
Manual: 9 **0.25% Pb:** No **Spare Parts Only:** No
Approved: 01-Jun-2006 **Renewed:** 01-Jun-2015 **Bypass:**
Shutoffs: (vv),xx,ooo,hhhh,pppp

Type: RP **Manufacturer:** Watts **Model:** U919QT
Size: 2 **Orientation:** VD **Meters:**
Manual: 9 **0.25% Pb:** No **Spare Parts Only:** No
Approved: 30-Aug-2006 **Renewed:** 30-Aug-2015 **Bypass:**
Shutoffs: (vv),xx,ooo,hhhh,pppp

Type: RP **Manufacturer:** Wilkins **Model:** 375
Size: 1/2 **Orientation:** H **Meters:**
Manual: 9 **0.25% Pb:** No **Spare Parts Only:** No
Approved: 06-Apr-2011 **Renewed:** 06-Apr-2014 **Bypass:**
Shutoffs: (int)

Type: RP **Manufacturer:** Wilkins **Model:** 375
Size: 3/4 **Orientation:** H **Meters:**
Manual: 9 **0.25% Pb:** No **Spare Parts Only:** No
Approved: 09-Mar-2007 **Renewed:** 09-Mar-2013 **Bypass:**
Shutoffs: (int)

Type: RP **Manufacturer:** Wilkins **Model:** 375
Size: 1 **Orientation:** H **Meters:**
Manual: 9 **0.25% Pb:** No **Spare Parts Only:** No
Approved: 09-Mar-2007 **Renewed:** 09-Mar-2013 **Bypass:**
Shutoffs: (int)

Type: RP **Manufacturer:** Wilkins **Model:** 375
Size: 1 1/4 **Orientation:** H **Meters:**
Manual: 9 **0.25% Pb:** No **Spare Parts Only:** No
Approved: 20-Apr-2010 **Renewed:** 20-Apr-2013 **Bypass:**
Shutoffs: (int)

Type: RP **Manufacturer:** Wilkins **Model:** 375
Size: 1 1/2 **Orientation:** H **Meters:**
Manual: 9 **0.25% Pb:** No **Spare Parts Only:** No
Approved: 20-Apr-2010 **Renewed:** 20-Apr-2013 **Bypass:**
Shutoffs: (int)

Type: RP **Manufacturer:** Wilkins **Model:** 375
Size: 2 **Orientation:** H **Meters:**
Manual: 9 **0.25% Pb:** No **Spare Parts Only:** No
Approved: 20-Apr-2010 **Renewed:** 20-Apr-2013 **Bypass:**
Shutoffs: (int)

Type: RP **Manufacturer:** Wilkins **Model:** 375
Size: 2 1/2 **Orientation:** H **Meters:**
Manual: 9 **0.25% Pb:** Yes **Spare Parts Only:** No
Approved: 09-Sep-2010 **Renewed:** 09-Sep-2013 **Bypass:**
Shutoffs: (gg),hh,ppp,qqq,ssss,tttt,vvvv,www,yyyy,zzzz,kkkkk
Notes: Serial number L61205 and higher

Type: RP **Manufacturer:** Wilkins **Model:** 375
Size: 2 1/2 **Orientation:** H **Meters:**
Manual: 9 **0.25% Pb:** No **Spare Parts Only:** No
Approved: 28-Sep-2001 **Renewed:** 28-Sep-2013 **Bypass:**
Shutoffs: (gg),ee,ff,hh,ll,mm,tt,uu,yy,zz,ppp,qqq,zzz,dddd,ssss,tttt,vvvv,www,yyyy,zzzz,kkkkk
Notes: Up to serial number L61205

Type: RP **Manufacturer:** Wilkins **Model:** 375
Size: 3 **Orientation:** H **Meters:**
Manual: 9 **0.25% Pb:** Yes **Spare Parts Only:** No
Approved: 09-Sep-2010 **Renewed:** 09-Sep-2013 **Bypass:**
Shutoffs: (gg),hh,ppp,qqq,ssss,tttt,vvvv,www,yyyy,zzzz,kkkkk
Notes: Serial number L61205 and higher

Type: RP **Manufacturer:** Wilkins **Model:** 375
Size: 8 **Orientation:** H **Meters:**
Manual: 9 **0.25% Pb:** No **Spare Parts Only:** No
Approved: 11-Nov-2002 **Renewed:** 11-Nov-2014 **Bypass:**
Shutoffs: (gg),ee,ff,hh,ll,mm,tt,uu,yy,zz,ppp,qqq,vvv,www,zzz,dddd,eeee,ssss,ttt,vvvv,www,yyyy,zzzz,kkkkk
Notes: Up to serial number L61205

Type: RP **Manufacturer:** Wilkins **Model:** 375
Size: 10 **Orientation:** H **Meters:**
Manual: 9 **0.25% Pb:** Yes **Spare Parts Only:** No
Approved: 09-Sep-2010 **Renewed:** 09-Sep-2013 **Bypass:**
Shutoffs: (gg),hh,ppp,qqq,vvv,www,ssss,ttt,vvvv,www,yyyy,zzzz,kkkkk
Notes: Serial number L61205 and higher

Type: RP **Manufacturer:** Wilkins **Model:** 375
Size: 10 **Orientation:** H **Meters:**
Manual: 9 **0.25% Pb:** No **Spare Parts Only:** No
Approved: 22-Nov-2004 **Renewed:** 22-Nov-2013 **Bypass:**
Shutoffs: (gg),ee,ff,hh,ll,mm,tt,uu,yy,zz,ppp,qqq,vvv,www,zzz,dddd,eeee,ssss,ttt,vvvv,www,yyyy,zzzz,kkkkk
Notes: Up to serial number L61205

Type: RP **Manufacturer:** Wilkins **Model:** 375A
Size: 2 1/2 **Orientation:** H **Meters:**
Manual: 9 **0.25% Pb:** Yes **Spare Parts Only:** No
Approved: 09-Sep-2010 **Renewed:** 09-Sep-2013 **Bypass:**
Shutoffs: (ppp),qqq,sss,ttt,yyy,ssss,uuuu,vvvv,xxxx,yyyy,aaaaa,kkkkk,lllll
Notes: Serial number X18805 and higher

Type: RP **Manufacturer:** Wilkins **Model:** 375A
Size: 2 1/2 **Orientation:** H **Meters:**
Manual: 9 **0.25% Pb:** No **Spare Parts Only:** No
Approved: 20-Oct-2008 **Renewed:** 20-Oct-2014 **Bypass:**
Shutoffs: (ppp),qqq,sss,ttt,yyy,zzz,dddd,ssss,uuuu,vvvv,xxxx,yyyy,aaaaa,kkkkk,lllll
Notes: Up to serial number X18805

Type: RP **Manufacturer:** Wilkins **Model:** 375A
Size: 3 **Orientation:** H **Meters:**
Manual: 9 **0.25% Pb:** Yes **Spare Parts Only:** No
Approved: 09-Sep-2010 **Renewed:** 09-Sep-2013 **Bypass:**
Shutoffs: (ppp),qqq,sss,ttt,yyy,ssss,uuuu,vvvv,xxxx,yyyy,aaaaa,kkkkk,lllll
Notes: Serial number X18805 and higher

Type: RP **Manufacturer:** Wilkins **Model:** 375A
Size: 3 **Orientation:** H **Meters:**
Manual: 9 **0.25% Pb:** No **Spare Parts Only:** No
Approved: 20-Oct-2008 **Renewed:** 20-Oct-2014 **Bypass:**
Shutoffs: (ppp),qqq,sss,ttt,yyy,zzz,dddd,ssss,uuuu,vvvv,xxxx,yyyy,aaaaa,kkkkk,IIIII
Notes: Up to serial number X18805

Type: RP **Manufacturer:** Wilkins **Model:** 375A
Size: 4 **Orientation:** H **Meters:**
Manual: 9 **0.25% Pb:** No **Spare Parts Only:** No
Approved: 02-Jun-2004 **Renewed:** 02-Jun-2013 **Bypass:**
Shutoffs: (ppp),qqq,sss,ttt,www,yyy,zzz,dddd,eeee,ssss,uuuu,vvvv,xxxx,yyyy,aaaaa,kkkkk,IIIII
Notes: Up to serial number X18805

Type: RP **Manufacturer:** Wilkins **Model:** 375A
Size: 4 **Orientation:** H **Meters:**
Manual: 9 **0.25% Pb:** Yes **Spare Parts Only:** No
Approved: 09-Sep-2010 **Renewed:** 09-Sep-2013 **Bypass:**
Shutoffs: (ppp),qqq,sss,ttt,www,yyy,zzz,ssss,uuuu,vvvv,xxxx,yyyy,aaaaa,kkkkk,IIIII
Notes: Serial number X18805 and higher

Type: RP **Manufacturer:** Wilkins **Model:** 375A
Size: 6 **Orientation:** H **Meters:**
Manual: 9 **0.25% Pb:** No **Spare Parts Only:** No
Approved: 25-Nov-2003 **Renewed:** 25-Nov-2012 **Bypass:**
Shutoffs: (ppp),qqq,sss,ttt,www,yyy,zzz,dddd,eeee,ssss,uuuu,vvvv,xxxx,yyyy,aaaaa,kkkkk,IIIII
Notes: Up to serial number X18805

Type: RP **Manufacturer:** Wilkins **Model:** 375A
Size: 6 **Orientation:** H **Meters:**
Manual: 9 **0.25% Pb:** Yes **Spare Parts Only:** No
Approved: 09-Sep-2010 **Renewed:** 09-Sep-2013 **Bypass:**
Shutoffs: (ppp),qqq,sss,ttt,www,yyy,zzz,ssss,uuuu,vvvv,xxxx,yyyy,aaaaa,kkkkk,IIIII
Notes: Serial number X18805 and higher

Type: RP **Manufacturer:** Wilkins **Model:** 375A
Size: 8 **Orientation:** H **Meters:**
Manual: 9 **0.25% Pb:** No **Spare Parts Only:** No
Approved: 15-Jun-2004 **Renewed:** 15-Jun-2013 **Bypass:**
Shutoffs: (ppp),qqq,sss,ttt,www,yyy,zzz,dddd,eeee,ssss,uuuu,vvvv,xxxx,yyyy,aaaaa,kkkkk,IIIII
Notes: Up to serial number X18805

Type: RP **Manufacturer:** Wilkins **Model:** 375A
Size: 8 **Orientation:** H **Meters:**
Manual: 9 **0.25% Pb:** Yes **Spare Parts Only:** No
Approved: 09-Sep-2010 **Renewed:** 09-Sep-2013 **Bypass:**
Shutoffs: (ppp),qqq,sss,ttt,www,yyy,ssss,uuuu,vvvv,xxxx,yyyy,aaaaa,kkkkk,lllll
Notes: Serial number X18805 and higher

Type: RP **Manufacturer:** Wilkins **Model:** 375A
Size: 10 **Orientation:** H **Meters:**
Manual: 9 **0.25% Pb:** No **Spare Parts Only:** No
Approved: 02-Mar-2007 **Renewed:** 02-Mar-2013 **Bypass:**
Shutoffs: (ppp),qqq,sss,ttt,www,yyy,zzz,dddd,eeee,ssss,uuuu,vvvv,xxxx,yyyy,aaaaa,kkkkk,lllll
Notes: Up to serial number X18805

Type: RP **Manufacturer:** Wilkins **Model:** 375A
Size: 10 **Orientation:** H **Meters:**
Manual: 9 **0.25% Pb:** Yes **Spare Parts Only:** No
Approved: 09-Sep-2010 **Renewed:** 09-Sep-2013 **Bypass:**
Shutoffs: (ppp),qqq,sss,ttt,www,yyy,ssss,uuuu,vvvv,xxxx,yyyy,aaaaa,kkkkk,lllll
Notes: Serial number X18805 and higher

Type: RP **Manufacturer:** Wilkins **Model:** 375AMS
Size: 2 1/2 **Orientation:** H **Meters:**
Manual: 9 **0.25% Pb:** Yes **Spare Parts Only:** No
Approved: 05-Nov-2014 **Renewed:** **Bypass:**
Shutoffs: (ppp),qqq,sss,ttt,www,yyy,zzz,ssss,uuuu,vvvv,xxxx,yyyy,aaaaa,kkkkk,lllll

Type: RP **Manufacturer:** Wilkins **Model:** 375AMS
Size: 3 **Orientation:** H **Meters:**
Manual: 9 **0.25% Pb:** Yes **Spare Parts Only:** No
Approved: 05-Nov-2014 **Renewed:** **Bypass:**
Shutoffs: (ppp),qqq,sss,ttt,www,yyy,zzz,ssss,uuuu,vvvv,xxxx,yyyy,aaaaa,kkkkk,lllll

Type: RP **Manufacturer:** Wilkins **Model:** 375AMS
Size: 4 **Orientation:** H **Meters:**
Manual: 9 **0.25% Pb:** Yes **Spare Parts Only:** No
Approved: 05-Nov-2014 **Renewed:** **Bypass:**
Shutoffs: (ppp),qqq,sss,ttt,www,yyy,zzz,ssss,uuuu,vvvv,xxxx,yyyy,aaaaa,kkkkk,lllll

Type: RP **Manufacturer:** Wilkins **Model:** 375AMS
Size: 6 **Orientation:** H **Meters:**
Manual: 9 **0.25% Pb:** Yes **Spare Parts Only:** No
Approved: 05-Nov-2014 **Renewed:** **Bypass:**
Shutoffs: (ppp),qqq,sss,ttt,www,yyy,zzz,ssss,uuuu,vvvv,xxxx,yyyy,aaaaa,kkkkk,lllll

Type: RP **Manufacturer:** Wilkins **Model:** 375AMS
Size: 8 **Orientation:** H **Meters:**
Manual: 9 **0.25% Pb:** Yes **Spare Parts Only:** No
Approved: 05-Nov-2014 **Renewed:** **Bypass:**
Shutoffs: (ppp),qqq,sss,ttt,www,yyy,ssss,uuuu,vvvv,xxxx,yyyy,aaaaa,kkkkk,lllll

Type: RP **Manufacturer:** Wilkins **Model:** 375AMS
Size: 10 **Orientation:** H **Meters:**
Manual: 9 **0.25% Pb:** Yes **Spare Parts Only:** No
Approved: 05-Nov-2014 **Renewed:** **Bypass:**
Shutoffs: (ppp),qqq,sss,ttt,www,yyy,zzz,ssss,uuuu,vvvv,xxxx,yyyy,aaaaa,kkkkk,lllll

Type: RP **Manufacturer:** Wilkins **Model:** 375AR
Size: 2 1/2 **Orientation:** H **Meters:**
Manual: 9 **0.25% Pb:** No **Spare Parts Only:** No
Approved: 16-Jun-2010 **Renewed:** 16-Jun-2013 **Bypass:**
Shutoffs: (ppp),qqq,sss,ttt,yyy,zzz,dddd,ssss,uuuu,vvvv,xxxx,yyyy,aaaaa,kkkkk,lllll
Notes: Integral grooved spool between the #2 ck and #2 SOV - assembly length: min. 34 1/4" and max. 47 1/8" Up to serial number X18805

Type: RP **Manufacturer:** Wilkins **Model:** 375AR
Size: 2 1/2 **Orientation:** H **Meters:**
Manual: 9 **0.25% Pb:** Yes **Spare Parts Only:** No
Approved: 09-Sep-2010 **Renewed:** 09-Sep-2013 **Bypass:**
Shutoffs: (ppp),qqq,sss,ttt,yyy,ssss,uuuu,vvvv,xxxx,yyyy,aaaaa,kkkkk,lllll
Notes: Only Serial No G00110 and higher approved. These have an Integral grooved spool between the #2 ck and #2 SOV with length: min. 34 1/4" and max. 47 1/8"

Type: RP **Manufacturer:** Wilkins **Model:** 375AR
Size: 3 **Orientation:** H **Meters:**
Manual: 9 **0.25% Pb:** No **Spare Parts Only:** No
Approved: 16-Jun-2010 **Renewed:** 16-Jun-2013 **Bypass:**
Shutoffs: (ppp),qqq,sss,ttt,yyy,zzz,dddd,ssss,uuuu,vvvv,xxxx,yyyy,aaaaa,kkkkk,lllll
Notes: Only Serial No G00110 and higher approved. These have an Integral grooved spool between the #2 ck and #2 SOV with length: min. 34 1/4" and max. 47 1/8"

Type: RP **Manufacturer:** Wilkins **Model:** 375AR
Size: 8 **Orientation:** H **Meters:**
Manual: 9 **0.25% Pb:** No **Spare Parts Only:** No
Approved: 25-Mar-2010 **Renewed:** 25-Mar-2013 **Bypass:**
Shutoffs: (ppp),qqq,sss,ttt,www,yyy,zzz,dddd,eeee,ssss,uuuu,vvvv,xxxx,yyyy,aaaaa,kkkkk,lllll
Notes: Only Serial No G00110 and higher approved. These have an Integral grooved spool between the #2 ck and #2 SOV with length: min. 34 1/4" and max. 47 1/8"

Type: RP **Manufacturer:** Wilkins **Model:** 375AR
Size: 8 **Orientation:** H **Meters:**
Manual: 9 **0.25% Pb:** Yes **Spare Parts Only:** No
Approved: 09-Sep-2010 **Renewed:** 09-Sep-2013 **Bypass:**
Shutoffs: (ppp),qqq,sss,ttt,www,yyy,zzz,dddd,eeee,ssss,uuuu,vvvv,xxxx,yyyy,aaaaa,kkkkk,lllll
Notes: Only Serial No G00110 and higher approved. These have an Integral grooved spool between the #2 ck and #2 SOV with length: min. 57 7/8" and max. 86"

Type: RP **Manufacturer:** Wilkins **Model:** 375AR
Size: 10 **Orientation:** H **Meters:**
Manual: 9 **0.25% Pb:** No **Spare Parts Only:** No
Approved: 25-Mar-2010 **Renewed:** 25-Mar-2013 **Bypass:**
Shutoffs: (ppp),qqq,sss,ttt,www,yyy,zzz,dddd,eeee,ssss,uuuu,vvvv,xxxx,yyyy,aaaaa,kkkkk,lllll
Notes: Only Serial No G00110 and higher approved. These have an Integral grooved spool between the #2 ck and #2 SOV with length: min. 34 1/4" and max. 47 1/8"

Type: RP **Manufacturer:** Wilkins **Model:** 375AR
Size: 10 **Orientation:** H **Meters:**
Manual: 9 **0.25% Pb:** Yes **Spare Parts Only:** No
Approved: 09-Sep-2010 **Renewed:** 09-Sep-2013 **Bypass:**
Shutoffs: (ppp),qqq,sss,ttt,www,yyy,zzz,dddd,eeee,ssss,uuuu,vvvv,xxxx,yyyy,aaaaa,kkkkk,lllll
Notes: Only Serial No G00110 and higher approved. These have an Integral grooved spool between the #2 ck and #2 SOV with length: min. 61 3/8" and max. 100 5/8"

Type: RP **Manufacturer:** Wilkins **Model:** 375ARMS
Size: 2 1/2 **Orientation:** H **Meters:**
Manual: 9 **0.25% Pb:** Yes **Spare Parts Only:** No
Approved: 05-Nov-2014 **Renewed:** **Bypass:**
Shutoffs: (ppp),qqq,sss,ttt,yyy,ssss,uuuu,vvvv,xxxx,yyyy,aaaaa,kkkkk,lllll
Notes: These have an Integral grooved spool between the #2 ck and #2 SOV with length: min. 34 1/4" and max. 47 1/8"

Type: RP **Manufacturer:** Wilkins **Model:** 375ARMS
Size: 3 **Orientation:** H **Meters:**
Manual: 9 **0.25% Pb:** Yes **Spare Parts Only:** No
Approved: 05-Nov-2014 **Renewed:** **Bypass:**
Shutoffs: (ppp),qqq,sss,ttt,yyy,ssss,uuuu,vvvv,xxxx,yyyy,aaaaa,kkkkk,lllll
Notes: These have an Integral grooved spool between the #2 ck and #2 SOV with length: min. 34 1/4" and max. 48 1/8"

Type: RP **Manufacturer:** Wilkins **Model:** 375ARMS
Size: 4 **Orientation:** H **Meters:**
Manual: 9 **0.25% Pb:** Yes **Spare Parts Only:** No
Approved: 05-Nov-2014 **Renewed:** **Bypass:**
Shutoffs: (ppp),qqq,sss,ttt,yyy,zzz,dddd,eeee,ssss,uuuu,vvvv,xxxx,yyyy,aaaaa,kkkkk,lllll
Notes: These have an Integral grooved spool between the #2 ck and #2 SOV with length: min. 35 3/4" and max. 62 1/4"

Type: RP **Manufacturer:** Wilkins **Model:** 375ARMS
Size: 6 **Orientation:** H **Meters:**
Manual: 9 **0.25% Pb:** Yes **Spare Parts Only:** No
Approved: 05-Nov-2014 **Renewed:** **Bypass:**
Shutoffs: (ppp),qqq,sss,ttt,yyy,zzz,dddd,eeee,ssss,uuuu,vvvv,xxxx,yyyy,aaaaa,kkkkk,lllll
Notes: These have an Integral grooved spool between the #2 ck and #2 SOV with length: min. 42 1/2" and max. 71 1/4"

Type: RP **Manufacturer:** Wilkins **Model:** 375ARMS
Size: 8 **Orientation:** H **Meters:**
Manual: 9 **0.25% Pb:** Yes **Spare Parts Only:** No
Approved: 05-Nov-2014 **Renewed:** **Bypass:**
Shutoffs: (ppp),qqq,sss,ttt,yyy,zzz,dddd,eeee,ssss,uuuu,vvvv,xxxx,yyyy,aaaaa,kkkkk,lllll
Notes: These have an Integral grooved spool between the #2 ck and #2 SOV with length: min. 57 7/8" and max. 86"

Type: RP **Manufacturer:** Wilkins **Model:** 375ARMS
Size: 10 **Orientation:** H **Meters:**
Manual: 9 **0.25% Pb:** Yes **Spare Parts Only:** No
Approved: 05-Nov-2014 **Renewed:** **Bypass:**
Shutoffs: (ppp),qqq,sss,ttt,yyy,zzz,dddd,eeee,ssss,uuuu,vvvv,xxxx,yyyy,aaaaa,kkkkk,lllll
Notes: These have an Integral grooved spool between the #2 ck and #2 SOV with length: min. 61 3/8" and max. 100 5/8"

Type: RP **Manufacturer:** Wilkins **Model:** 375ARXL
Size: 2 1/2 **Orientation:** H **Meters:**
Manual: 9 **0.25% Pb:** Yes **Spare Parts Only:** No
Approved: 16-Jun-2010 **Renewed:** 16-Jun-2013 **Bypass:**
Shutoffs: (ppp),sss,ttt,qqq,yyy,zzz,dddd
Notes: Only Serial No G00110 and higher approved. These have an Integral grooved spool between the #2 ck and #2 SOV with length: min. 34 1/4" and max. 47 1/8"

Type: RP	Manufacturer: Wilkins	Model: 375ARXL
Size: 3	Orientation: H	Meters:
Manual: 9	0.25% Pb: Yes	Spare Parts Only: No
Approved: 16-Jun-2010	Renewed: 16-Jun-2013	Bypass:

Shutoffs: (ppp),sss,ttt,qqq,yyy,zzz,dddd

Notes: Only Serial No G00110 and higher approved. These have an Integral grooved spool between the #2 ck and #2 SOV with length: min. 35 3/4" and max. 62 1/4"

Type: RP	Manufacturer: Wilkins	Model: 375ARXL
Size: 4	Orientation: H	Meters:
Manual: 9	0.25% Pb: Yes	Spare Parts Only: No
Approved: 16-Jun-2010	Renewed: 16-Jun-2013	Bypass:

Shutoffs: (ppp),qqq,sss,ttt,www,yyy,zzz,dddd,eeee,ssss,uuuu,vvvv,xxxx,yyyy,aaaa

Notes: Only Serial No G00110 and higher approved. These have an Integral grooved spool between the #2 ck and #2 SOV with length: min. 42 1/2" and max. 71 1/4"

Type: RP	Manufacturer: Wilkins	Model: 375ARXL
Size: 6	Orientation: H	Meters:
Manual: 9	0.25% Pb: Yes	Spare Parts Only: No
Approved: 16-Jun-2010	Renewed: 16-Jun-2013	Bypass:

Shutoffs: (ppp),qqq,sss,ttt,www,yyy,zzz,dddd,eeee,ssss,uuuu,vvvv,xxxx,yyyy,aaaa

Notes: Only Serial No G00110 and higher approved. These have an Integral grooved spool between the #2 ck and #2 SOV with length: min. 57 7/8" and max. 86"

Type: RP	Manufacturer: Wilkins	Model: 375ARXL
Size: 8	Orientation: H	Meters:
Manual: 9	0.25% Pb: Yes	Spare Parts Only: No
Approved: 16-Jun-2010	Renewed: 16-Jun-2013	Bypass:

Shutoffs: (ppp),qqq,sss,ttt,www,yyy,zzz,dddd,eeee,ssss,uuuu,vvvv,xxxx,yyyy,aaaa

Notes: Only Serial No G00110 and higher approved. These have an Integral grooved spool between the #2 ck and #2 SOV with length: min. 61 3/8" and max. 100 5/8"

Type: RP	Manufacturer: Wilkins	Model: 375ARXL
Size: 10	Orientation: H	Meters:
Manual: 9	0.25% Pb: Yes	Spare Parts Only: No
Approved: 16-Jun-2010	Renewed: 16-Jun-2013	Bypass:

Shutoffs: (ppp),qqq,sss,ttt,www,yyy,zzz,dddd,eeee,ssss,uuuu,vvvv,xxxx,yyyy,aaaa

Notes: Integral grooved spool between the #2 ck and #2 SOV - assembly length: min. 61 3/8" and max. 100 5/8"

Type: RP **Manufacturer:** Wilkins **Model:** 375AST
Size: 2 1/2 **Orientation:** H **Meters:**
Manual: 10 **0.25% Pb:** Yes **Spare Parts Only:** No
Approved: 12-Jun-2015 **Renewed:** **Bypass:**
Shutoffs: (yyy),ssss,uuuu,vvvv,xxxx,yyyy,aaaaa,kkkkk,IIII

Type: RP **Manufacturer:** Wilkins **Model:** 375AST
Size: 3 **Orientation:** H **Meters:**
Manual: 10 **0.25% Pb:** Yes **Spare Parts Only:** No
Approved: 12-Jun-2015 **Renewed:** **Bypass:**
Shutoffs: (yyy),ssss,uuuu,vvvv,xxxx,yyyy,aaaaa,kkkkk,IIII

Type: RP **Manufacturer:** Wilkins **Model:** 375AST
Size: 4 **Orientation:** H **Meters:**
Manual: 10 **0.25% Pb:** Yes **Spare Parts Only:** No
Approved: 31-May-2012 **Renewed:** 31-May-2015 **Bypass:**
Shutoffs: (yyy),ssss,uuuu,vvvv,xxxx,yyyy,aaaaa,kkkkk,IIII

Type: RP **Manufacturer:** Wilkins **Model:** 375AST
Size: 6 **Orientation:** H **Meters:**
Manual: 10 **0.25% Pb:** Yes **Spare Parts Only:** No
Approved: 24-Jun-2013 **Renewed:** **Bypass:**
Shutoffs: (yyy),ssss,uuuu,vvvv,xxxx,yyyy,aaaaa,kkkkk,IIII

Type: RP **Manufacturer:** Wilkins **Model:** 375AST
Size: 8 **Orientation:** H **Meters:**
Manual: 10 **0.25% Pb:** Yes **Spare Parts Only:** No
Approved: 26-Nov-2013 **Renewed:** **Bypass:**
Shutoffs: (yyy),ssss,uuuu,vvvv,xxxx,yyyy,aaaaa,kkkkk,IIII

Type: RP **Manufacturer:** Wilkins **Model:** 375AST
Size: 10 **Orientation:** H **Meters:**
Manual: 10 **0.25% Pb:** Yes **Spare Parts Only:** No
Approved: 26-Nov-2013 **Renewed:** **Bypass:**
Shutoffs: (yyy),ssss,uuuu,vvvv,xxxx,yyyy,aaaaa,kkkkk,IIII

Type: RP **Manufacturer:** Wilkins **Model:** 375ASTMS
Size: 2 1/2 **Orientation:** H **Meters:**
Manual: 10 **0.25% Pb:** Yes **Spare Parts Only:** No
Approved: 05-Nov-2014 **Renewed:** **Bypass:**
Shutoffs: (yyy),ssss,uuuu,vvvv,xxxx,yyyy,aaaaa,kkkkk,IIII

Type: RP **Manufacturer:** Wilkins **Model:** 375ASTMS
Size: 3 **Orientation:** H **Meters:**
Manual: 10 **0.25% Pb:** Yes **Spare Parts Only:** No
Approved: 05-Nov-2014 **Renewed:** **Bypass:**
Shutoffs: (yyy),ssss,uuuu,vvvv,xxxx,yyyy,aaaaa,kkkkk,IIIII

Type: RP **Manufacturer:** Wilkins **Model:** 375ASTMS
Size: 4 **Orientation:** H **Meters:**
Manual: 10 **0.25% Pb:** Yes **Spare Parts Only:** No
Approved: 05-Nov-2014 **Renewed:** **Bypass:**
Shutoffs: (yyy),ssss,uuuu,vvvv,xxxx,yyyy,aaaaa,kkkkk,IIIII

Type: RP **Manufacturer:** Wilkins **Model:** 375ASTMS
Size: 6 **Orientation:** H **Meters:**
Manual: 10 **0.25% Pb:** Yes **Spare Parts Only:** No
Approved: 05-Nov-2014 **Renewed:** **Bypass:**
Shutoffs: (yyy),ssss,uuuu,vvvv,xxxx,yyyy,aaaaa,kkkkk,IIIII

Type: RP **Manufacturer:** Wilkins **Model:** 375ASTMS
Size: 8 **Orientation:** H **Meters:**
Manual: 10 **0.25% Pb:** Yes **Spare Parts Only:** No
Approved: 05-Nov-2014 **Renewed:** **Bypass:**
Shutoffs: (yyy),ssss,uuuu,vvvv,xxxx,yyyy,aaaaa,kkkkk,IIIII

Type: RP **Manufacturer:** Wilkins **Model:** 375ASTMS
Size: 10 **Orientation:** H **Meters:**
Manual: 10 **0.25% Pb:** Yes **Spare Parts Only:** No
Approved: 05-Nov-2014 **Renewed:** **Bypass:**
Shutoffs: (yyy),ssss,uuuu,vvvv,xxxx,yyyy,aaaaa,kkkkk,IIIII

Type: RP **Manufacturer:** Wilkins **Model:** 375ASTR
Size: 2 1/2 **Orientation:** H **Meters:**
Manual: 10 **0.25% Pb:** Yes **Spare Parts Only:** No
Approved: 12-Jun-2015 **Renewed:** **Bypass:**
Shutoffs: (yyy),ssss,uuuu,vvvv,xxxx,yyyy,aaaaa,kkkkk,IIIII

Notes: Integral Stainless Steel grooved spool between the #2 ck and #2 SOV - assembly length: min. 34 1/4" and max. 47 1/8"

Type: RP **Manufacturer:** Wilkins **Model:** 375ASTR
Size: 3 **Orientation:** H **Meters:**
Manual: 10 **0.25% Pb:** Yes **Spare Parts Only:** No
Approved: 12-Jun-2015 **Renewed:** **Bypass:**
Shutoffs: (yyy),ssss,uuuu,vvvv,xxxx,yyyy,aaaaa,kkkkk,lllll
Notes: Integral Stainless Steel grooved spool between the #2 ck and #2 SOV - assembly length: min. 34 3/4" and max. 48 1/8"

Type: RP **Manufacturer:** Wilkins **Model:** 375ASTR
Size: 4 **Orientation:** H **Meters:**
Manual: 10 **0.25% Pb:** Yes **Spare Parts Only:** No
Approved: 31-May-2012 **Renewed:** 31-May-2015 **Bypass:**
Shutoffs: (yyy),ssss,uuuu,vvvv,xxxx,yyyy,aaaaa,kkkkk,lllll
Notes: Integral Stainless Steel grooved spool between the #2 ck and #2 SOV - assembly length: min. 35 3/4" and max. 62 1/4"

Type: RP **Manufacturer:** Wilkins **Model:** 375ASTR
Size: 6 **Orientation:** H **Meters:**
Manual: 10 **0.25% Pb:** Yes **Spare Parts Only:** No
Approved: 05-Nov-2013 **Renewed:** **Bypass:**
Shutoffs: (yyy),ssss,uuuu,vvvv,xxxx,yyyy,aaaaa,kkkkk,lllll
Notes: Integral Stainless Steel grooved spool between the #2 ck and #2 SOV - assembly length: min. 46" and max. 71 1/4"

Type: RP **Manufacturer:** Wilkins **Model:** 375ASTR
Size: 8 **Orientation:** H **Meters:**
Manual: 10 **0.25% Pb:** Yes **Spare Parts Only:** No
Approved: 23-Jan-2014 **Renewed:** **Bypass:**
Shutoffs: (yyy),ssss,uuuu,vvvv,xxxx,yyyy,aaaaa,kkkkk,lllll
Notes: Integral Stainless Steel grooved spool between the #2 ck and #2 SOV - assembly length: min. 48 3/4" and max. 86"

Type: RP **Manufacturer:** Wilkins **Model:** 375ASTR
Size: 10 **Orientation:** H **Meters:**
Manual: 10 **0.25% Pb:** Yes **Spare Parts Only:** No
Approved: 23-Jan-2014 **Renewed:** **Bypass:**
Shutoffs: (yyy),ssss,uuuu,vvvv,xxxx,yyyy,aaaaa,kkkkk,lllll
Notes: Integral Stainless Steel grooved spool between the #2 ck and #2 SOV - assembly length: min. 52 5/8" and max. 100 5/8"

Type: RP **Manufacturer:** Wilkins **Model:** 375ASTRMS
Size: 2 1/2 **Orientation:** H **Meters:**
Manual: 10 **0.25% Pb:** Yes **Spare Parts Only:** No
Approved: 05-Nov-2014 **Renewed:** **Bypass:**
Shutoffs: (yyy),ssss,uuuu,vvvv,xxxx,yyyy,aaaaa,kkkkk,lllll
Notes: Integral Stainless Steel grooved spool between the #2 ck and #2 SOV - assembly length: min. 31" and max. 47 1/8"

Type: RP **Manufacturer:** Wilkins **Model:** 375ASTRMS
Size: 3 **Orientation:** H **Meters:**
Manual: 10 **0.25% Pb:** Yes **Spare Parts Only:** No
Approved: 05-Nov-2014 **Renewed:** **Bypass:**
Shutoffs: (yyy),ssss,uuuu,vvvv,xxxx,yyyy,aaaaa,kkkkk,lllll
Notes: Integral Stainless Steel grooved spool between the #2 ck and #2 SOV - assembly length: min. 31 1/2" and max. 48 1/8"

Type: RP **Manufacturer:** Wilkins **Model:** 375ASTRMS
Size: 4 **Orientation:** H **Meters:**
Manual: 10 **0.25% Pb:** Yes **Spare Parts Only:** No
Approved: 05-Nov-2014 **Renewed:** **Bypass:**
Shutoffs: (yyy),ssss,uuuu,vvvv,xxxx,yyyy,aaaaa,kkkkk,lllll
Notes: Integral Stainless Steel grooved spool between the #2 ck and #2 SOV - assembly length: min. 32 5/8" and max. 62 1/4"

Type: RP **Manufacturer:** Wilkins **Model:** 375ASTRMS
Size: 6 **Orientation:** H **Meters:**
Manual: 10 **0.25% Pb:** Yes **Spare Parts Only:** No
Approved: 05-Nov-2014 **Renewed:** **Bypass:**
Shutoffs: (yyy),ssss,uuuu,vvvv,xxxx,yyyy,aaaaa,kkkkk,lllll
Notes: Integral Stainless Steel grooved spool between the #2 ck and #2 SOV - assembly length: min. 39" and max. 71 1/4"

Type: RP **Manufacturer:** Wilkins **Model:** 375ASTRMS
Size: 8 **Orientation:** H **Meters:**
Manual: 10 **0.25% Pb:** Yes **Spare Parts Only:** No
Approved: 05-Nov-2014 **Renewed:** **Bypass:**
Shutoffs: (yyy),ssss,uuuu,vvvv,xxxx,yyyy,aaaaa,kkkkk,lllll
Notes: Integral Stainless Steel grooved spool between the #2 ck and #2 SOV - assembly length: min. 48 3/4" and max. 86"

Type: RP	Manufacturer: Wilkins	Model: 375ASTRMS
Size: 10	Orientation: H	Meters:
Manual: 10	0.25% Pb: Yes	Spare Parts Only: No
Approved: 05-Nov-2014	Renewed:	Bypass:
Shutoffs: (yyy),ssss,uuuu,vvvv,xxxx,yyyy,aaaaa,kkkkk,llll		
Notes: Integral Stainless Steel grooved spool between the #2 ck and #2 SOV - assembly length: min. 52 5/8" and max. 100 5/8"		

Type: RP	Manufacturer: Wilkins	Model: 375AXL
Size: 2 1/2	Orientation: H	Meters:
Manual: 9	0.25% Pb: No	Spare Parts Only: No
Approved: 14-Apr-2010	Renewed: 14-Apr-2013	Bypass:
Shutoffs: dddd		

Type: RP	Manufacturer: Wilkins	Model: 375AXL
Size: 2 1/2	Orientation: H	Meters:
Manual: 9	0.25% Pb: Yes	Spare Parts Only: No
Approved: 14-Apr-2010	Renewed: 14-Apr-2013	Bypass:
Shutoffs: (ppp),qqq,sss,ttt,yyy,zzz		

Type: RP	Manufacturer: Wilkins	Model: 375AXL
Size: 3	Orientation: H	Meters:
Manual: 9	0.25% Pb: No	Spare Parts Only: No
Approved: 14-Apr-2010	Renewed: 14-Apr-2013	Bypass:
Shutoffs: dddd		

Type: RP	Manufacturer: Wilkins	Model: 375AXL
Size: 3	Orientation: H	Meters:
Manual: 9	0.25% Pb: Yes	Spare Parts Only: No
Approved: 14-Apr-2010	Renewed: 14-Apr-2013	Bypass:
Shutoffs: (ppp),qqq,sss,ttt,yyy,zzz		

Type: RP	Manufacturer: Wilkins	Model: 375AXL
Size: 4	Orientation: H	Meters:
Manual: 9	0.25% Pb: No	Spare Parts Only: No
Approved: 14-Apr-2010	Renewed: 14-Apr-2013	Bypass:
Shutoffs: dddd,eeee		

Type: RP
Size: 1/2
Manual: 9
Approved: 08-Nov-2012
Shutoffs: (int)

Manufacturer: Wilkins
Orientation: H
0.25% Pb: No
Renewed:

Model: 375B
Meters:
Spare Parts Only: No
Bypass:

Type: RP
Size: 3/4
Manual: 9
Approved: 08-Nov-2012
Shutoffs: (int)

Manufacturer: Wilkins
Orientation: H
0.25% Pb: No
Renewed:

Model: 375B
Meters:
Spare Parts Only: No
Bypass:

Type: RP
Size: 1
Manual: 9
Approved: 08-Nov-2012
Shutoffs: (int)

Manufacturer: Wilkins
Orientation: H
0.25% Pb: No
Renewed:

Model: 375B
Meters:
Spare Parts Only: No
Bypass:

Type: RP
Size: 1 1/4
Manual: 9
Approved: 08-Nov-2012
Shutoffs: (int)

Manufacturer: Wilkins
Orientation: H
0.25% Pb: No
Renewed:

Model: 375B
Meters:
Spare Parts Only: No
Bypass:

Type: RP
Size: 1 1/2
Manual: 9
Approved: 08-Nov-2012
Shutoffs: (int)

Manufacturer: Wilkins
Orientation: H
0.25% Pb: No
Renewed:

Model: 375B
Meters:
Spare Parts Only: No
Bypass:

Type: RP
Size: 2
Manual: 9
Approved: 08-Nov-2012
Shutoffs: (int)

Manufacturer: Wilkins
Orientation: H
0.25% Pb: No
Renewed:

Model: 375B
Meters:
Spare Parts Only: No
Bypass:

Type: RP **Manufacturer:** Wilkins **Model:** 375MS
Size: 2 1/2 **Orientation:** H **Meters:**
Manual: 9 **0.25% Pb:** Yes **Spare Parts Only:** No
Approved: 09-Sep-2010 **Renewed:** 09-Sep-2013 **Bypass:**
Shutoffs: (gg),hh,ppp,qqq,ssss,tttt,vvvv,wwww,yyyy,zzzz,kkkkk
Notes: Serial number L61205 and higher

Type: RP **Manufacturer:** Wilkins **Model:** 375MS
Size: 2 1/2 **Orientation:** H **Meters:**
Manual: 9 **0.25% Pb:** No **Spare Parts Only:** No
Approved: 03-Jul-2003 **Renewed:** 03-Jul-2015 **Bypass:**
Shutoffs: (gg),ee,ff,hh,ll,mm,tt,uu,yy,zz,ppp,qqq,zzz,dddd,ssss,tttt,vvvv,wwww,yyyy,zzzz,kkkkk
Notes: Up to serial number L61205

Type: RP **Manufacturer:** Wilkins **Model:** 375MS
Size: 3 **Orientation:** H **Meters:**
Manual: 9 **0.25% Pb:** Yes **Spare Parts Only:** No
Approved: 09-Sep-2010 **Renewed:** 09-Sep-2013 **Bypass:**
Shutoffs: (gg),hh,ppp,qqq,ssss,tttt,vvvv,wwww,yyyy,zzzz,kkkkk
Notes: Serial number L61205 and higher

Type: RP **Manufacturer:** Wilkins **Model:** 375MS
Size: 3 **Orientation:** H **Meters:**
Manual: 9 **0.25% Pb:** No **Spare Parts Only:** No
Approved: 03-Jul-2003 **Renewed:** 03-Jul-2015 **Bypass:**
Shutoffs: (gg),ee,ff,hh,ll,mm,tt,uu,yy,zz,ppp,qqq,zzz,dddd,ssss,tttt,vvvv,wwww,yyyy,zzzz,kkkkk
Notes: Up to serial number L61205

Type: RP **Manufacturer:** Wilkins **Model:** 375MS
Size: 4 **Orientation:** H **Meters:**
Manual: 9 **0.25% Pb:** Yes **Spare Parts Only:** No
Approved: 09-Sep-2010 **Renewed:** 09-Sep-2013 **Bypass:**
Shutoffs: (gg),hh,ppp,qqq,vvv,wwww,,ssss,tttt,vvvv,wwww,yyyy,zzzz,kkkkk
Notes: Serial number L61205 and higher

Type: RP **Manufacturer:** Wilkins **Model:** 375MS
Size: 4 **Orientation:** H **Meters:**
Manual: 9 **0.25% Pb:** No **Spare Parts Only:** No
Approved: 03-Jul-2003 **Renewed:** 03-Jul-2015 **Bypass:**
Shutoffs: (gg),ee,ff,hh,ll,mm,tt,uu,yy,zz,ppp,qqq,vvv,wwww,zzz,dddd,eeee,ssss,tttt,vvvv,wwww,yyyy,zzzz,kkkkk
Notes: Up to serial number L61205

Type: RP
Size: 6
Manual: 9
Approved: 09-Sep-2010
Shutoffs: (gg),hh,ppp,qqq,vvv,www,zzz,ssss,tttt,vvvv,wwww,yyyy,zzzz,kkkkk
Notes: Serial number L61205 and higher

Manufacturer: Wilkins
Orientation: H
0.25% Pb: Yes
Renewed: 09-Sep-2013

Model: 375MS
Meters:
Spare Parts Only: No
Bypass:

Type: RP
Size: 6
Manual: 9
Approved: 03-Jul-2003
Shutoffs: (gg),ee,ff,hh,ll,mm,tt,uu,yy,zz,ppp,qqq,vvv,www,zzz,dddd,eeee,ssss,tttt,vvvv,wwww,yyyy,zzzz,kkkkk
Notes: Up to serial number L61205

Manufacturer: Wilkins
Orientation: H
0.25% Pb: No
Renewed: 03-Jul-2015

Model: 375MS
Meters:
Spare Parts Only: No
Bypass:

Type: RP
Size: 8
Manual: 9
Approved: 09-Sep-2010
Shutoffs: (gg),hh,ppp,qqq,vvv,www,ssss,tttt,vvvv,wwww,yyyy,zzzz,kkkkk
Notes: Serial number L61205 and higher

Manufacturer: Wilkins
Orientation: H
0.25% Pb: Yes
Renewed: 09-Sep-2013

Model: 375MS
Meters:
Spare Parts Only: No
Bypass:

Type: RP
Size: 8
Manual: 9
Approved: 03-Jul-2003
Shutoffs: (gg),ee,ff,hh,ll,mm,tt,uu,yy,zz,ppp,qqq,vvv,www,zzz,dddd,eeee,ssss,tttt,vvvv,wwww,yyyy,zzzz,kkkkk
Notes: Up to serial number L61205

Manufacturer: Wilkins
Orientation: H
0.25% Pb: No
Renewed: 03-Jul-2015

Model: 375MS
Meters:
Spare Parts Only: No
Bypass:

Type: RP
Size: 10
Manual: 9
Approved: 09-Sep-2010
Shutoffs: (gg),hh,ppp,qqq,vvv,www,ssss,tttt,vvvv,wwww,yyyy,zzzz,kkkkk
Notes: Serial number L61205 and higher

Manufacturer: Wilkins
Orientation: H
0.25% Pb: Yes
Renewed: 09-Sep-2013

Model: 375MS
Meters:
Spare Parts Only: No
Bypass:

Type: RP
Size: 10
Manual: 9
Approved: 29-Mar-2005
Shutoffs: (gg),ee,ff,hh,ll,mm,tt,uu,yy,zz,ppp,qqq,vvv,www,zzz,dddd,eeee,ssss,tttt,vvvv,wwww,yyyy,zzzz,kkkkk
Notes: Up to serial number L61205

Manufacturer: Wilkins
Orientation: H
0.25% Pb: No
Renewed: 29-Mar-2014

Model: 375MS
Meters:
Spare Parts Only: No
Bypass:

Type: RP	Manufacturer: Wilkins	Model: 375ST
Size: 1/2	Orientation: H	Meters:
Manual: 9	0.25% Pb: Yes	Spare Parts Only: No
Approved: 22-Feb-2011	Renewed: 22-Feb-2014	Bypass:
Shutoffs: (int)		

Type: RP	Manufacturer: Wilkins	Model: 375ST
Size: 3/4	Orientation: H	Meters:
Manual: 9	0.25% Pb: Yes	Spare Parts Only: No
Approved: 22-Feb-2011	Renewed: 22-Feb-2014	Bypass:
Shutoffs: (int)		

Type: RP	Manufacturer: Wilkins	Model: 375ST
Size: 1	Orientation: H	Meters:
Manual: 9	0.25% Pb: Yes	Spare Parts Only: No
Approved: 31-Oct-2011	Renewed: 31-Oct-2014	Bypass:
Shutoffs: int		

Type: RP	Manufacturer: Wilkins	Model: 375XL
Size: 1/2	Orientation: H	Meters:
Manual: 9	0.25% Pb: Yes	Spare Parts Only: No
Approved: 07-Apr-2009	Renewed: 07-Apr-2015	Bypass:
Shutoffs: (int)		

Type: RP	Manufacturer: Wilkins	Model: 375XL
Size: 3/4	Orientation: H	Meters:
Manual: 9	0.25% Pb: Yes	Spare Parts Only: No
Approved: 09-Mar-2007	Renewed: 09-Mar-2013	Bypass:
Shutoffs: (int)		

Type: RP	Manufacturer: Wilkins	Model: 375XL
Size: 1	Orientation: H	Meters:
Manual: 9	0.25% Pb: Yes	Spare Parts Only: No
Approved: 09-Mar-2007	Renewed: 09-Mar-2013	Bypass:
Shutoffs: (int)		

Type: RP	Manufacturer: Wilkins	Model: 375XL
Size: 1 1/4	Orientation: H	Meters:
Manual: 9	0.25% Pb: Yes	Spare Parts Only: No
Approved: 20-Apr-2010	Renewed: 20-Apr-2013	Bypass:
Shutoffs: (int)		

Type: RP **Manufacturer:** Wilkins **Model:** 375XL
Size: 1 1/2 **Orientation:** H **Meters:**
Manual: 9 **0.25% Pb:** Yes **Spare Parts Only:** No
Approved: 20-Apr-2010 **Renewed:** 20-Apr-2013 **Bypass:**
Shutoffs: (int)

Type: RP **Manufacturer:** Wilkins **Model:** 375XL
Size: 2 **Orientation:** H **Meters:**
Manual: 9 **0.25% Pb:** Yes **Spare Parts Only:** No
Approved: 20-Apr-2010 **Renewed:** 20-Apr-2013 **Bypass:**
Shutoffs: (int)

Type: RP **Manufacturer:** Wilkins **Model:** 375XL
Size: 2 1/2 **Orientation:** H **Meters:**
Manual: 9 **0.25% Pb:** No **Spare Parts Only:** No
Approved: 14-Apr-2010 **Renewed:** 14-Apr-2013 **Bypass:**
Shutoffs: ee,ff,ll,mm,tt,uu,yy,zz,zzz,dddd

Type: RP **Manufacturer:** Wilkins **Model:** 375XL
Size: 2 1/2 **Orientation:** H **Meters:**
Manual: 9 **0.25% Pb:** Yes **Spare Parts Only:** No
Approved: 14-Apr-2010 **Renewed:** 14-Apr-2013 **Bypass:**
Shutoffs: (gg),hh,ppp,qqq,ssss,tttt,vvvv,wwww,yyyy,zzzz

Type: RP **Manufacturer:** Wilkins **Model:** 375XL
Size: 3 **Orientation:** H **Meters:**
Manual: 9 **0.25% Pb:** No **Spare Parts Only:** No
Approved: 14-Apr-2010 **Renewed:** 14-Apr-2013 **Bypass:**
Shutoffs: ee,ff,ll,mm,tt,uu,yy,zz,zzz,dddd

Type: RP **Manufacturer:** Wilkins **Model:** 375XL
Size: 3 **Orientation:** H **Meters:**
Manual: 9 **0.25% Pb:** Yes **Spare Parts Only:** No
Approved: 14-Apr-2010 **Renewed:** 14-Apr-2013 **Bypass:**
Shutoffs: (gg),hh,ppp,qqq,ssss,tttt,vvvv,wwww,yyyy,zzzz

Type: RP **Manufacturer:** Wilkins **Model:** 375XL
Size: 4 **Orientation:** H **Meters:**
Manual: 9 **0.25% Pb:** No **Spare Parts Only:** No
Approved: 14-Apr-2010 **Renewed:** 14-Apr-2013 **Bypass:**
Shutoffs: ee,ff,ll,mm,tt,uu,yy,zz,zzz,dddd,eeee

Type: RP **Manufacturer:** Wilkins **Model:** 375XL
Size: 4 **Orientation:** H **Meters:**
Manual: 9 **0.25% Pb:** Yes **Spare Parts Only:** No
Approved: 14-Apr-2010 **Renewed:** 14-Apr-2013 **Bypass:**
Shutoffs: (gg),hh,ppp,qqq,vvv,www,ssss,tttt,vvvv,wwww,yyyy,zzzz

Type: RP **Manufacturer:** Wilkins **Model:** 375XL
Size: 6 **Orientation:** H **Meters:**
Manual: 9 **0.25% Pb:** No **Spare Parts Only:** No
Approved: 14-Apr-2010 **Renewed:** 14-Apr-2013 **Bypass:**
Shutoffs: ee,ff,ll,mm,tt,uu,yy,zz,zzz,dddd,eeee

Type: RP **Manufacturer:** Wilkins **Model:** 375XL
Size: 6 **Orientation:** H **Meters:**
Manual: 9 **0.25% Pb:** Yes **Spare Parts Only:** No
Approved: 14-Apr-2010 **Renewed:** 14-Apr-2013 **Bypass:**
Shutoffs: (gg),hh,ppp,qqq,vvv,www,ssss,tttt,vvvv,wwww,yyyy,zzzz

Type: RP **Manufacturer:** Wilkins **Model:** 375XL
Size: 8 **Orientation:** H **Meters:**
Manual: 9 **0.25% Pb:** No **Spare Parts Only:** No
Approved: 18-Feb-2010 **Renewed:** 18-Feb-2013 **Bypass:**
Shutoffs: ee,ff,ll,mm,tt,uu,yy,zz,zzz,dddd,eeee

Type: RP **Manufacturer:** Wilkins **Model:** 375XL
Size: 8 **Orientation:** H **Meters:**
Manual: 9 **0.25% Pb:** Yes **Spare Parts Only:** No
Approved: 18-Feb-2010 **Renewed:** 18-Feb-2013 **Bypass:**
Shutoffs: gg,hh,ppp,qqq,vvv,www,ssss,tttt,vvvv,wwww,yyyy,zzzz

Type: RP **Manufacturer:** Wilkins **Model:** 375XL
Size: 10 **Orientation:** H **Meters:**
Manual: 9 **0.25% Pb:** No **Spare Parts Only:** No
Approved: 18-Feb-2010 **Renewed:** 18-Feb-2013 **Bypass:**
Shutoffs: ee,ff,ll,mm,tt,uu,yy,zz,zzz,dddd,eeee

Type: RP **Manufacturer:** Wilkins **Model:** 375XL
Size: 10 **Orientation:** H **Meters:**
Manual: 9 **0.25% Pb:** Yes **Spare Parts Only:** No
Approved: 18-Feb-2010 **Renewed:** 18-Feb-2013 **Bypass:**
Shutoffs: gg,hh,ppp,qqq,vvv,www,ssss,tttt,vvvv,wwww,yyyy,zzzz

Type: RP **Manufacturer:** Wilkins **Model:** 375XLB
Size: 1/2 **Orientation:** H **Meters:**
Manual: 9 **0.25% Pb:** Yes **Spare Parts Only:** No
Approved: 08-Nov-2012 **Renewed:** **Bypass:**
Shutoffs: (int)

Type: RP **Manufacturer:** Wilkins **Model:** 375XLB
Size: 3/4 **Orientation:** H **Meters:**
Manual: 9 **0.25% Pb:** Yes **Spare Parts Only:** No
Approved: 08-Nov-2012 **Renewed:** **Bypass:**
Shutoffs: (int)

Type: RP **Manufacturer:** Wilkins **Model:** 375XLB
Size: 1 **Orientation:** H **Meters:**
Manual: 9 **0.25% Pb:** Yes **Spare Parts Only:** No
Approved: 08-Nov-2012 **Renewed:** **Bypass:**
Shutoffs: (int)

Type: RP **Manufacturer:** Wilkins **Model:** 375XLB
Size: 1 1/4 **Orientation:** H **Meters:**
Manual: 9 **0.25% Pb:** Yes **Spare Parts Only:** No
Approved: 08-Nov-2012 **Renewed:** **Bypass:**
Shutoffs: (int)

Type: RP **Manufacturer:** Wilkins **Model:** 375XLB
Size: 1 1/2 **Orientation:** H **Meters:**
Manual: 9 **0.25% Pb:** Yes **Spare Parts Only:** No
Approved: 08-Nov-2012 **Renewed:** **Bypass:**
Shutoffs: (int)

Type: RP **Manufacturer:** Wilkins **Model:** 375XLB
Size: 2 **Orientation:** H **Meters:**
Manual: 9 **0.25% Pb:** Yes **Spare Parts Only:** No
Approved: 08-Nov-2012 **Renewed:** **Bypass:**
Shutoffs: (int)

Type: RP **Manufacturer:** Wilkins **Model:** 375XLMS
Size: 2 1/2 **Orientation:** H **Meters:**
Manual: 9 **0.25% Pb:** No **Spare Parts Only:** No
Approved: 14-Apr-2010 **Renewed:** 14-Apr-2013 **Bypass:**
Shutoffs: ee,ff,ll,mm,tt,uu,yy,zz,zzz,dddd

Type: RP	Manufacturer: Wilkins	Model: 375XLMS
Size: 2 1/2	Orientation: H	Meters:
Manual: 9	0.25% Pb: Yes	Spare Parts Only: No
Approved: 14-Apr-2010	Renewed: 14-Apr-2013	Bypass:
Shutoffs: (gg),hh,ppp,qqq,ssss,tttt,vvvv,wwww,yyyy,zzzz		

Type: RP	Manufacturer: Wilkins	Model: 375XLMS
Size: 3	Orientation: H	Meters:
Manual: 9	0.25% Pb: No	Spare Parts Only: No
Approved: 14-Apr-2010	Renewed: 14-Apr-2013	Bypass:
Shutoffs: ee,ff,ll,mm,tt,uu,yy,zz,zzz,dddd		

Type: RP	Manufacturer: Wilkins	Model: 375XLMS
Size: 3	Orientation: H	Meters:
Manual: 9	0.25% Pb: Yes	Spare Parts Only: No
Approved: 14-Apr-2010	Renewed: 14-Apr-2013	Bypass:
Shutoffs: (gg),hh,ppp,qqq,ssss,tttt,vvvv,wwww,yyyy,zzzz		

Type: RP	Manufacturer: Wilkins	Model: 375XLMS
Size: 4	Orientation: H	Meters:
Manual: 9	0.25% Pb: No	Spare Parts Only: No
Approved: 14-Apr-2010	Renewed: 14-Apr-2013	Bypass:
Shutoffs: ee,ff,ll,mm,tt,uu,yy,zzzzz,dddd,eeee		

Type: RP	Manufacturer: Wilkins	Model: 375XLMS
Size: 4	Orientation: H	Meters:
Manual: 9	0.25% Pb: Yes	Spare Parts Only: No
Approved: 14-Apr-2010	Renewed: 14-Apr-2013	Bypass:
Shutoffs: (gg),hh,ppp,qqq,vvv,www,,ssss,tttt,vvvv,wwww,yyyy,zzzz		

Type: RP	Manufacturer: Wilkins	Model: 375XLMS
Size: 6	Orientation: H	Meters:
Manual: 9	0.25% Pb: No	Spare Parts Only: No
Approved: 14-Apr-2010	Renewed: 14-Apr-2013	Bypass:
Shutoffs: ee,ff,ll,mm,tt,uu,yy,zz,dddd,eeee		

Type: RP	Manufacturer: Wilkins	Model: 375XLMS
Size: 6	Orientation: H	Meters:
Manual: 9	0.25% Pb: Yes	Spare Parts Only: No
Approved: 14-Apr-2010	Renewed: 14-Apr-2013	Bypass:
Shutoffs: (gg),hh,ppp,qqq,vvv,www,zzz,ssss,tttt,vvvv,wwww,yyyy,zzzz		

Type: RP **Manufacturer:** Wilkins **Model:** 475
Size: 3 **Orientation:** VUVD **Meters:**
Manual: 9 **0.25% Pb:** Yes **Spare Parts Only:** No
Approved: 09-Sep-2010 **Renewed:** 09-Sep-2013 **Bypass:**
Shutoffs: (gg),hh,ppp,qqq,ssss,uuuu,vvvv,xxxx,yyyy,aaaaa,kkkkk,lIlll
Notes: Serial number Q05664 and higher

Type: RP **Manufacturer:** Wilkins **Model:** 475
Size: 3 **Orientation:** VUVD **Meters:**
Manual: 9 **0.25% Pb:** No **Spare Parts Only:** No
Approved: 24-Jan-2002 **Renewed:** 24-Jan-2014 **Bypass:**
Shutoffs: (gg),ee,ff,hh,ll,mm,tt,uu,yy,zz,ppp,qqq,zzz,dddd,ssss,uuuu,vvvv,xxxx,yyyy,aaaaa,kkkkk,lIlll
Notes: Up to serial number Q05664

Type: RP **Manufacturer:** Wilkins **Model:** 475
Size: 4 **Orientation:** VUVD **Meters:**
Manual: 9 **0.25% Pb:** Yes **Spare Parts Only:** No
Approved: 09-Sep-2010 **Renewed:** 09-Sep-2013 **Bypass:**
Shutoffs: (ppp),qqq,sss,ttt,www,yyy,ssss,uuuu,vvvv,xxxx,yyyy,aaaaa,kkkkk,lIlll
Notes: Serial number Q05664 and higher

Type: RP **Manufacturer:** Wilkins **Model:** 475
Size: 4 **Orientation:** VUVD **Meters:**
Manual: 9 **0.25% Pb:** No **Spare Parts Only:** No
Approved: 27-Jul-2000 **Renewed:** 27-Jul-2015 **Bypass:**
Shutoffs: (ppp),qqq,sss,ttt,www,yyy,zzz,dddd,eeee,ssss,uuuu,vvvv,xxxx,yyyy,aaaaa,kkkkk,lIlll
Notes: Up to serial number Q05664

Type: RP **Manufacturer:** Wilkins **Model:** 475
Size: 6 **Orientation:** VUVD **Meters:**
Manual: 9 **0.25% Pb:** Yes **Spare Parts Only:** No
Approved: 09-Sep-2010 **Renewed:** 09-Sep-2013 **Bypass:**
Shutoffs: (ppp),qqq,sss,ttt,www,yyy,ssss,uuuu,vvvv,xxxx,yyyy,aaaaa,kkkkk,lIlll
Notes: Serial number Q05664 and higher

Type: RP **Manufacturer:** Wilkins **Model:** 475
Size: 6 **Orientation:** VUVD **Meters:**
Manual: 9 **0.25% Pb:** No **Spare Parts Only:** No
Approved: 27-Jul-2000 **Renewed:** 27-Jul-2015 **Bypass:**
Shutoffs: (ppp),qqq,sss,ttt,www,yyy,zzz,dddd,eeee,ssss,uuuu,vvvv,xxxx,yyyy,aaaaa,kkkkk,lIlll
Notes: Up to serial number Q05664

Type: RP **Manufacturer:** Wilkins **Model:** 475
Size: 8 **Orientation:** VUVD **Meters:**
Manual: 9 **0.25% Pb:** Yes **Spare Parts Only:** No
Approved: 09-Sep-2010 **Renewed:** 09-Sep-2013 **Bypass:**
Shutoffs: (ppp),qqq,sss,ttt,www,yyy,ssss,uuuu,vvvv,xxxx,yyyy,aaaaa,kkkkk,lllll
Notes: Serial number Q05664 and higher

Type: RP **Manufacturer:** Wilkins **Model:** 475
Size: 8 **Orientation:** VUVD **Meters:**
Manual: 9 **0.25% Pb:** No **Spare Parts Only:** No
Approved: 03-Jul-2003 **Renewed:** 03-Jul-2015 **Bypass:**
Shutoffs: (ppp),qqq,sss,ttt,www,yyy,zzz,dddd,eeee,ssss,uuuu,vvvv,xxxx,yyyy,aaaaa,kkkkk,lllll
Notes: Up to serial number Q05664

Type: RP **Manufacturer:** Wilkins **Model:** 475
Size: 10 **Orientation:** VUVD **Meters:**
Manual: 9 **0.25% Pb:** Yes **Spare Parts Only:** No
Approved: 09-Sep-2010 **Renewed:** 09-Sep-2013 **Bypass:**
Shutoffs: (ppp),qqq,sss,ttt,www,ssss,uuuu,vvvv,xxxx,yyyy,aaaaa,kkkkk,lllll
Notes: Serial number Q05664 and higher

Type: RP **Manufacturer:** Wilkins **Model:** 475
Size: 10 **Orientation:** VUVD **Meters:**
Manual: 9 **0.25% Pb:** No **Spare Parts Only:** No
Approved: 22-Nov-2004 **Renewed:** 22-Nov-2013 **Bypass:**
Shutoffs: (ppp),qqq,sss,ttt,www,zzz,dddd,eeee,ssss,uuuu,vvvv,xxxx,yyyy,aaaaa,kkkkk,lllll
Notes: Up to serial number Q05664

Type: RP **Manufacturer:** Wilkins **Model:** 475MS
Size: 2 1/2 **Orientation:** VUVD **Meters:**
Manual: 9 **0.25% Pb:** Yes **Spare Parts Only:** No
Approved: 09-Sep-2010 **Renewed:** 09-Sep-2013 **Bypass:**
Shutoffs: (gg),hh,ppp,qqq,ssss,uuuu,vvvv,xxxx,yyyy,aaaaa,kkkkk
Notes: Serial number Q05664 and higher

Type: RP **Manufacturer:** Wilkins **Model:** 475MS
Size: 2 1/2 **Orientation:** VUVD **Meters:**
Manual: 9 **0.25% Pb:** No **Spare Parts Only:** No
Approved: 03-Jul-2003 **Renewed:** 03-Jul-2015 **Bypass:**
Shutoffs: (gg),ee,ff,hh,ll,mm,tt,uu,yy,zz,ppp,qqq,zzz,dddd,ssss,uuuu,vvvv,xxxx,yyyy,aaaaa,kkkkk
Notes: Up to serial number Q05664

Type: RP **Manufacturer:** Wilkins **Model:** 475MS
Size: 3 **Orientation:** VUVD **Meters:**
Manual: 9 **0.25% Pb:** Yes **Spare Parts Only:** No
Approved: 09-Sep-2010 **Renewed:** 09-Sep-2013 **Bypass:**
Shutoffs: (gg),hh,ppp,qqq,ssss,uuuu,vvvv,xxxx,yyyy,aaaaa,kkkkk,lllll
Notes: Serial number Q05664 and higher

Type: RP **Manufacturer:** Wilkins **Model:** 475MS
Size: 3 **Orientation:** VUVD **Meters:**
Manual: 9 **0.25% Pb:** No **Spare Parts Only:** No
Approved: 03-Jul-2003 **Renewed:** 03-Jul-2015 **Bypass:**
Shutoffs: (gg),ee,ff,hh,ll,mm,tt,uu,yy,zz,ppp,qqq,zzz,dddd,ssss,uuuu,vvvv,xxxx,yyyy,aaaaa,kkkkk,lllll
Notes: Up to serial number Q05664

Type: RP **Manufacturer:** Wilkins **Model:** 475MS
Size: 4 **Orientation:** VUVD **Meters:**
Manual: 9 **0.25% Pb:** Yes **Spare Parts Only:** No
Approved: 09-Sep-2010 **Renewed:** 09-Sep-2013 **Bypass:**
Shutoffs: (ppp),qqq,sss,ttt,www,yyy,ssss,uuuu,vvvv,xxxx,yyyy,aaaaa,kkkkk,lllll
Notes: Serial number Q05664 and higher

Type: RP **Manufacturer:** Wilkins **Model:** 475MS
Size: 4 **Orientation:** VUVD **Meters:**
Manual: 9 **0.25% Pb:** No **Spare Parts Only:** No
Approved: 03-Jul-2003 **Renewed:** 03-Jul-2015 **Bypass:**
Shutoffs: (ppp),qqq,sss,ttt,www,yyy,zzz,dddd,eeee,ssss,uuuu,vvvv,xxxx,yyyy,aaaaa,kkkkk,lllll
Notes: Up to serial number Q05664

Type: RP **Manufacturer:** Wilkins **Model:** 475MS
Size: 6 **Orientation:** VUVD **Meters:**
Manual: 9 **0.25% Pb:** Yes **Spare Parts Only:** No
Approved: 09-Sep-2010 **Renewed:** 09-Sep-2013 **Bypass:**
Shutoffs: (ppp),qqq,sss,ttt,www,yyy,ssss,uuuu,vvvv,xxxx,yyyy,aaaaa,kkkkk,lllll
Notes: Serial number Q05664 and higher

Type: RP **Manufacturer:** Wilkins **Model:** 475MS
Size: 6 **Orientation:** VUVD **Meters:**
Manual: 9 **0.25% Pb:** No **Spare Parts Only:** No
Approved: 03-Jul-2003 **Renewed:** 03-Jul-2015 **Bypass:**
Shutoffs: (ppp),qqq,sss,ttt,www,yyy,zzz,dddd,eeee,ssss,uuuu,vvvv,xxxx,yyyy,aaaaa,kkkkk,lllll
Notes: Up to serial number Q05664

Type: RP **Manufacturer:** Wilkins **Model:** 475MS
Size: 8 **Orientation:** VUVD **Meters:**
Manual: 9 **0.25% Pb:** Yes **Spare Parts Only:** No
Approved: 09-Sep-2010 **Renewed:** 09-Sep-2013 **Bypass:**
Shutoffs: (ppp),qqq,sss,ttt,www,yyy,ssss,uuuu,vvvv,xxxx,yyyy,aaaaa,kkkkk,lllll
Notes: Serial number Q05664 and higher

Type: RP **Manufacturer:** Wilkins **Model:** 475MS
Size: 8 **Orientation:** VUVD **Meters:**
Manual: 9 **0.25% Pb:** No **Spare Parts Only:** No
Approved: 03-Jul-2003 **Renewed:** 03-Jul-2015 **Bypass:**
Shutoffs: (ppp),qqq,sss,ttt,www,yyy,zzz,dddd,eeee,ssss,uuuu,vvvv,xxxx,yyyy,aaaaa,kkkkk,lllll
Notes: Up to serial number Q05664

Type: RP **Manufacturer:** Wilkins **Model:** 475MS
Size: 10 **Orientation:** H **Meters:**
Manual: 9 **0.25% Pb:** Yes **Spare Parts Only:** No
Approved: 09-Sep-2010 **Renewed:** 09-Sep-2013 **Bypass:**
Shutoffs: (ppp),qqq,sss,ttt,www,ssss,uuuu,vvvv,xxxx,yyyy,aaaaa,kkkkk,lllll
Notes: Serial number Q05664 and higher

Type: RP **Manufacturer:** Wilkins **Model:** 475MS
Size: 10 **Orientation:** H **Meters:**
Manual: 9 **0.25% Pb:** No **Spare Parts Only:** No
Approved: 29-Mar-2005 **Renewed:** 29-Mar-2014 **Bypass:**
Shutoffs: (ppp),qqq,sss,ttt,www,zzz,dddd,eeee,ssss,uuuu,vvvv,xxxx,yyyy,aaaaa,kkkkk,lllll
Notes: Up to serial number Q05664

Type: RP **Manufacturer:** Wilkins **Model:** 475V
Size: 2 1/2 **Orientation:** VUVU **Meters:**
Manual: 9 **0.25% Pb:** Yes **Spare Parts Only:** No
Approved: 09-Sep-2010 **Renewed:** 09-Sep-2013 **Bypass:**
Shutoffs: (gg),hh,ppp,qqq,ssss,uuuu,vvvv,xxxx,yyyy,aaaaa,kkkkk
Notes: Serial number Q05664 and higher

Type: RP **Manufacturer:** Wilkins **Model:** 475V
Size: 2 1/2 **Orientation:** VUVU **Meters:**
Manual: 9 **0.25% Pb:** No **Spare Parts Only:** No
Approved: 24-Jan-2002 **Renewed:** 24-Jan-2014 **Bypass:**
Shutoffs: (gg),ee,ff,hh,ll,mm,tt,uu,yy,zz,ppp,qqq,zzz,dddd,ssss,uuuu,vvvv,xxxx,yyyy,aaaaa,kkkkk
Notes: Up to serial number Q05664

Type: RP **Manufacturer:** Wilkins **Model:** 475V
Size: 3 **Orientation:** VUVU **Meters:**
Manual: 9 **0.25% Pb:** Yes **Spare Parts Only:** No
Approved: 09-Sep-2010 **Renewed:** 09-Sep-2013 **Bypass:**
Shutoffs: (gg),hh,ppp,qqq,ssss,uuuu,vvvv,xxxx,yyyy,aaaaa,kkkkk,lllll
Notes: Serial number Q05664 and higher

Type: RP **Manufacturer:** Wilkins **Model:** 475V
Size: 3 **Orientation:** VUVU **Meters:**
Manual: 9 **0.25% Pb:** No **Spare Parts Only:** No
Approved: 24-Jan-2002 **Renewed:** 24-Jan-2014 **Bypass:**
Shutoffs: (gg),ee,ff,hh,ll,mm,tt,uu,yy,zz,ppp,qqq,zzz,dddd,ssss,uuuu,vvvv,xxxx,yyyy,aaaaa,kkkkk,lllll
Notes: Up to serial number Q05664

Type: RP **Manufacturer:** Wilkins **Model:** 475V
Size: 4 **Orientation:** VUVU **Meters:**
Manual: 9 **0.25% Pb:** Yes **Spare Parts Only:** No
Approved: 09-Sep-2010 **Renewed:** 09-Sep-2013 **Bypass:**
Shutoffs: (ppp),qqq,sss,ttt,www,yyy,ssss,uuuu,vvvv,xxxx,yyyy,aaaaa,kkkkk,lllll
Notes: Serial number Q05664 and higher

Type: RP **Manufacturer:** Wilkins **Model:** 475V
Size: 4 **Orientation:** VUVU **Meters:**
Manual: 9 **0.25% Pb:** No **Spare Parts Only:** No
Approved: 09-Sep-2000 **Renewed:** 09-Sep-2015 **Bypass:**
Shutoffs: (ppp),qqq,sss,ttt,www,yyy,zzz,dddd,eeee,ssss,uuuu,vvvv,xxxx,yyyy,aaaaa,kkkkk,lllll
Notes: Up to serial number Q05664

Type: RP **Manufacturer:** Wilkins **Model:** 475V
Size: 6 **Orientation:** VUVU **Meters:**
Manual: 9 **0.25% Pb:** No **Spare Parts Only:** No
Approved: 31-May-2001 **Renewed:** 31-May-2013 **Bypass:**
Shutoffs: (ppp),qqq,sss,ttt,www,yyy,zzz,dddd,eeee,ssss,uuuu,vvvv,xxxx,yyyy,aaaaa,kkkkk,lllll
Notes: Up to serial number Q05664

Type: RP **Manufacturer:** Wilkins **Model:** 475V
Size: 6 **Orientation:** VUVU **Meters:**
Manual: 9 **0.25% Pb:** Yes **Spare Parts Only:** No
Approved: 09-Sep-2010 **Renewed:** 09-Sep-2013 **Bypass:**
Shutoffs: (ppp),qqq,sss,ttt,www,yyy,ssss,uuuu,vvvv,xxxx,yyyy,aaaaa,kkkkk,lllll
Notes: Serial number Q05664 and higher

Type: RP **Manufacturer:** Wilkins **Model:** 475V
Size: 8 **Orientation:** VUVU **Meters:**
Manual: 9 **0.25% Pb:** No **Spare Parts Only:** No
Approved: 08-Jun-2004 **Renewed:** 08-Jun-2013 **Bypass:**
Shutoffs: (ppp),qqq,sss,ttt,www,yyy,zzz,dddd,eeee,ssss,uuuu,vvvv,xxxx,yyyy,aaaaa,kkkkk,lllll
Notes: Up to serial number Q05664

Type: RP **Manufacturer:** Wilkins **Model:** 475V
Size: 8 **Orientation:** VUVU **Meters:**
Manual: 9 **0.25% Pb:** Yes **Spare Parts Only:** No
Approved: 09-Sep-2010 **Renewed:** 09-Sep-2013 **Bypass:**
Shutoffs: (ppp),qqq,sss,ttt,www,yyy,ssss,uuuu,vvvv,xxxx,yyyy,aaaaa,kkkkk,lllll
Notes: Serial number Q05664 and higher

Type: RP **Manufacturer:** Wilkins **Model:** 475V
Size: 10 **Orientation:** VUVU **Meters:**
Manual: 9 **0.25% Pb:** Yes **Spare Parts Only:** No
Approved: 09-Sep-2010 **Renewed:** 09-Sep-2013 **Bypass:**
Shutoffs: (ppp),qqq,sss,ttt,www,ssss,uuuu,vvvv,xxxx,yyyy,aaaaa,kkkkk,lllll
Notes: Serial number Q05664 and higher

Type: RP **Manufacturer:** Wilkins **Model:** 475V
Size: 10 **Orientation:** VUVU **Meters:**
Manual: 9 **0.25% Pb:** No **Spare Parts Only:** No
Approved: 22-Nov-2004 **Renewed:** 22-Nov-2013 **Bypass:**
Shutoffs: (ppp),qqq,sss,ttt,www,zzz,dddd,eeee,ssss,uuuu,vvvv,xxxx,yyyy,aaaaa,kkkkk,lllll
Notes: Up to serial number Q05664

Type: RP **Manufacturer:** Wilkins **Model:** 475VMS
Size: 2 1/2 **Orientation:** VUVU **Meters:**
Manual: 9 **0.25% Pb:** Yes **Spare Parts Only:** No
Approved: 09-Sep-2010 **Renewed:** 09-Sep-2013 **Bypass:**
Shutoffs: (gg),hh,ppp,qqq,ssss,uuuu,vvvv,xxxx,yyyy,aaaaa,kkkkk
Notes: Serial number Q05664 and higher

Type: RP **Manufacturer:** Wilkins **Model:** 475VMS
Size: 2 1/2 **Orientation:** VUVU **Meters:**
Manual: 9 **0.25% Pb:** No **Spare Parts Only:** No
Approved: 03-Jul-2003 **Renewed:** 03-Jul-2015 **Bypass:**
Shutoffs: (gg),ee,ff,hh,ll,mm,tt,uu,yy,zz,ppp,qqq,zzz,dddd,ssss,uuuu,vvvv,xxxx,yyyy,aaaaa,kkkkk
Notes: Up to serial number Q05664

Type: RP **Manufacturer:** Wilkins **Model:** 475VMS
Size: 3 **Orientation:** VUVU **Meters:**
Manual: 9 **0.25% Pb:** Yes **Spare Parts Only:** No
Approved: 09-Sep-2010 **Renewed:** 09-Sep-2013 **Bypass:**
Shutoffs: (gg),hh,ppp,qqq,ssss,uuuu,vvvv,xxxx,yyyy,aaaaa,kkkkk,l1111
Notes: Serial number Q05664 and higher

Type: RP **Manufacturer:** Wilkins **Model:** 475VMS
Size: 3 **Orientation:** VUVU **Meters:**
Manual: 9 **0.25% Pb:** No **Spare Parts Only:** No
Approved: 03-Jul-2003 **Renewed:** 03-Jul-2015 **Bypass:**
Shutoffs: (gg),ee,ff,hh,ll,mm,tt,uu,yy,zz,ppp,qqq,zzz,dddd,ssss,uuuu,vvvv,xxxx,yyyy,aaaaa,kkkkk,l1111
Notes: Up to serial number Q05664

Type: RP **Manufacturer:** Wilkins **Model:** 475VMS
Size: 4 **Orientation:** VUVU **Meters:**
Manual: 9 **0.25% Pb:** Yes **Spare Parts Only:** No
Approved: 09-Sep-2010 **Renewed:** 09-Sep-2013 **Bypass:**
Shutoffs: (ppp),qqq,sss,ttt,www,yyy,ssss,uuuu,vvvv,xxxx,yyyy,aaaaa,kkkkk,l1111
Notes: Serial number Q05664 and higher

Type: RP **Manufacturer:** Wilkins **Model:** 475VMS
Size: 4 **Orientation:** VUVU **Meters:**
Manual: 9 **0.25% Pb:** No **Spare Parts Only:** No
Approved: 03-Jul-2003 **Renewed:** 03-Jul-2015 **Bypass:**
Shutoffs: (ppp),qqq,sss,ttt,www,yyy,zzz,dddd,eeee,ssss,uuuu,vvvv,xxxx,yyyy,aaaaa,kkkkk,l1111
Notes: Up to serial number Q05664

Type: RP **Manufacturer:** Wilkins **Model:** 475VMS
Size: 6 **Orientation:** VUVU **Meters:**
Manual: 9 **0.25% Pb:** Yes **Spare Parts Only:** No
Approved: 09-Sep-2010 **Renewed:** 09-Sep-2013 **Bypass:**
Shutoffs: (ppp),qqq,sss,ttt,www,yyy,ssss,uuuu,vvvv,xxxx,yyyy,aaaaa,kkkkk,l1111
Notes: Serial number Q05664 and higher

Type: RP **Manufacturer:** Wilkins **Model:** 475VMS
Size: 6 **Orientation:** VUVU **Meters:**
Manual: 9 **0.25% Pb:** No **Spare Parts Only:** No
Approved: 03-Jul-2003 **Renewed:** 03-Jul-2015 **Bypass:**
Shutoffs: (ppp),qqq,sss,ttt,www,yyy,zzz,dddd,eeee,ssss,uuuu,vvvv,xxxx,yyyy,aaaaa,kkkkk,l1111
Notes: Up to serial number Q05664

Type: RP **Manufacturer:** Wilkins **Model:** 475VMS
Size: 8 **Orientation:** VUVU **Meters:**
Manual: 9 **0.25% Pb:** Yes **Spare Parts Only:** No
Approved: 09-Sep-2010 **Renewed:** 09-Sep-2013 **Bypass:**
Shutoffs: (ppp),qqq,sss,ttt,www,yyy,ssss,uuuu,vvvv,xxxx,yyyy,aaaaa,kkkkk,lllll
Notes: Serial number Q05664 and higher

Type: RP **Manufacturer:** Wilkins **Model:** 475VMS
Size: 8 **Orientation:** VUVU **Meters:**
Manual: 9 **0.25% Pb:** No **Spare Parts Only:** No
Approved: 03-Jul-2003 **Renewed:** 03-Jul-2015 **Bypass:**
Shutoffs: (ppp),qqq,sss,ttt,www,yyy,zzz,dddd,eeee,ssss,uuuu,vvvv,xxxx,yyyy,aaaaa,kkkkk,lllll
Notes: Up to serial number Q05664

Type: RP **Manufacturer:** Wilkins **Model:** 475VMS
Size: 10 **Orientation:** H **Meters:**
Manual: 9 **0.25% Pb:** Yes **Spare Parts Only:** No
Approved: 09-Sep-2010 **Renewed:** 09-Sep-2013 **Bypass:**
Shutoffs: (ppp),qqq,sss,ttt,www,ssss,uuuu,vvvv,xxxx,yyyy,aaaaa,kkkkk,lllll
Notes: Serial number Q05664 and higher

Type: RP **Manufacturer:** Wilkins **Model:** 475VMS
Size: 10 **Orientation:** H **Meters:**
Manual: 9 **0.25% Pb:** No **Spare Parts Only:** No
Approved: 29-Mar-2005 **Renewed:** 29-Mar-2014 **Bypass:**
Shutoffs: (ppp),qqq,sss,ttt,www,zzz,dddd,eeee,ssss,uuuu,vvvv,xxxx,yyyy,aaaaa,kkkkk,lllll
Notes: Up to serial number Q05664

Type: RP **Manufacturer:** Wilkins **Model:** 475XL
Size: 2 1/2 **Orientation:** VUVD **Meters:**
Manual: 9 **0.25% Pb:** No **Spare Parts Only:** No
Approved: 14-Apr-2010 **Renewed:** 14-Apr-2013 **Bypass:**
Shutoffs: ee,ff,ll,mm,tt,uu,yy,zz,zzz,dddd

Type: RP **Manufacturer:** Wilkins **Model:** 475XL
Size: 2 1/2 **Orientation:** VUVD **Meters:**
Manual: 9 **0.25% Pb:** Yes **Spare Parts Only:** No
Approved: 14-Apr-2010 **Renewed:** 14-Apr-2013 **Bypass:**
Shutoffs: (gg),hh,ppp,qqq,ssss,uuuu,vvvv,xxxx,yyyy,aaaaa

Type: RP **Manufacturer:** Wilkins **Model:** 475XL
Size: 3 **Orientation:** VUVD **Meters:**
Manual: 9 **0.25% Pb:** No **Spare Parts Only:** No
Approved: 14-Apr-2010 **Renewed:** 14-Apr-2013 **Bypass:**
Shutoffs: ee,ff,ll,mm,tt,uu,yy,zz,zzz,dddd

Type: RP **Manufacturer:** Wilkins **Model:** 475XL
Size: 3 **Orientation:** VUVD **Meters:**
Manual: 9 **0.25% Pb:** Yes **Spare Parts Only:** No
Approved: 14-Apr-2010 **Renewed:** 14-Apr-2013 **Bypass:**
Shutoffs: (gg),hh,ppp,qqq,ssss,uuuu,vvvv,xxxx,yyyy,aaaaa

Type: RP **Manufacturer:** Wilkins **Model:** 475XL
Size: 4 **Orientation:** VUVD **Meters:**
Manual: 9 **0.25% Pb:** No **Spare Parts Only:** No
Approved: 14-Apr-2010 **Renewed:** 14-Apr-2013 **Bypass:**
Shutoffs: zzz,dddd,eeee

Type: RP **Manufacturer:** Wilkins **Model:** 475XL
Size: 4 **Orientation:** VUVD **Meters:**
Manual: 9 **0.25% Pb:** Yes **Spare Parts Only:** No
Approved: 14-Apr-2010 **Renewed:** 14-Apr-2013 **Bypass:**
Shutoffs: (ppp),qqq,sss,ttt,www,yyy,ssss,uuuu,vvvv,xxxx,yyyy,aaaaa

Type: RP **Manufacturer:** Wilkins **Model:** 475XL
Size: 6 **Orientation:** VUVD **Meters:**
Manual: 9 **0.25% Pb:** No **Spare Parts Only:** No
Approved: 14-Apr-2010 **Renewed:** 14-Apr-2013 **Bypass:**
Shutoffs: zzz,dddd,eeee

Type: RP **Manufacturer:** Wilkins **Model:** 475XL
Size: 6 **Orientation:** VUVD **Meters:**
Manual: 9 **0.25% Pb:** Yes **Spare Parts Only:** No
Approved: 14-Apr-2010 **Renewed:** 14-Apr-2013 **Bypass:**
Shutoffs: (ppp),qqq,sss,ttt,www,yyy,ssss,uuuu,vvvv,xxxx,yyyy,aaaaa

Type: RP **Manufacturer:** Wilkins **Model:** 475XL
Size: 8 **Orientation:** VUVD **Meters:**
Manual: 9 **0.25% Pb:** No **Spare Parts Only:** No
Approved: 18-Feb-2010 **Renewed:** 18-Feb-2013 **Bypass:**
Shutoffs: zzz,dddd,eeee

Type: RP **Manufacturer:** Wilkins **Model:** 475XL
Size: 8 **Orientation:** VUVD **Meters:**
Manual: 9 **0.25% Pb:** Yes **Spare Parts Only:** No
Approved: 18-Feb-2010 **Renewed:** 18-Feb-2013 **Bypass:**
Shutoffs: ppp,qqq,sss,ttt,www,yyy,ssss,uuuu,vvvv,xxxx,yyyy,aaaaa

Type: RP **Manufacturer:** Wilkins **Model:** 475XL
Size: 10 **Orientation:** VUVD **Meters:**
Manual: 9 **0.25% Pb:** No **Spare Parts Only:** No
Approved: 18-Feb-2010 **Renewed:** 18-Feb-2013 **Bypass:**
Shutoffs: zzz,dddd,eeee

Type: RP **Manufacturer:** Wilkins **Model:** 475XL
Size: 10 **Orientation:** VUVD **Meters:**
Manual: 9 **0.25% Pb:** Yes **Spare Parts Only:** No
Approved: 18-Feb-2010 **Renewed:** 18-Feb-2013 **Bypass:**
Shutoffs: ppp,qqq,sss,ttt,www,ssss,uuuu,vvvv,xxxx,yyyy,aaaaa

Type: RP **Manufacturer:** Wilkins **Model:** 475XLMS
Size: 2 1/2 **Orientation:** VUVD **Meters:**
Manual: 9 **0.25% Pb:** No **Spare Parts Only:** No
Approved: 14-Apr-2010 **Renewed:** 14-Apr-2013 **Bypass:**
Shutoffs: ee,ff,ll,mm,tt,uu,yy,zz,zzz,dddd

Type: RP **Manufacturer:** Wilkins **Model:** 475XLMS
Size: 2 1/2 **Orientation:** VUVD **Meters:**
Manual: 9 **0.25% Pb:** Yes **Spare Parts Only:** No
Approved: 14-Apr-2010 **Renewed:** 14-Apr-2013 **Bypass:**
Shutoffs: (gg),hh,ppp,qqq,ssss,uuuu,vvvv,xxxx,yyyy,aaaaa

Type: RP **Manufacturer:** Wilkins **Model:** 475XLMS
Size: 3 **Orientation:** VUVD **Meters:**
Manual: 9 **0.25% Pb:** No **Spare Parts Only:** No
Approved: 14-Apr-2010 **Renewed:** 14-Apr-2013 **Bypass:**
Shutoffs: ee,ff,ll,mm,tt,uu,yy,zz,zzz,dddd

Type: RP **Manufacturer:** Wilkins **Model:** 475XLMS
Size: 3 **Orientation:** VUVD **Meters:**
Manual: 9 **0.25% Pb:** Yes **Spare Parts Only:** No
Approved: 14-Apr-2010 **Renewed:** 14-Apr-2013 **Bypass:**
Shutoffs: (gg),hh,ppp,qqq,ssss,uuuu,vvvv,xxxx,yyyy,aaaaa

Type: RP **Manufacturer:** Wilkins **Model:** 475XLMS
Size: 4 **Orientation:** VUVD **Meters:**
Manual: 9 **0.25% Pb:** No **Spare Parts Only:** No
Approved: 14-Apr-2010 **Renewed:** 14-Apr-2013 **Bypass:**
Shutoffs: zzz,dddd,eeee

Type: RP **Manufacturer:** Wilkins **Model:** 475XLMS
Size: 4 **Orientation:** VUVD **Meters:**
Manual: 9 **0.25% Pb:** Yes **Spare Parts Only:** No
Approved: 14-Apr-2010 **Renewed:** 14-Apr-2013 **Bypass:**
Shutoffs: (ppp),qqq,sss,ttt,www,yyy,ssss,uuuu,vvvv,xxxx,yyyy,aaaaa

Type: RP **Manufacturer:** Wilkins **Model:** 475XLMS
Size: 6 **Orientation:** VUVD **Meters:**
Manual: 9 **0.25% Pb:** No **Spare Parts Only:** No
Approved: 14-Apr-2010 **Renewed:** 14-Apr-2013 **Bypass:**
Shutoffs: (gg),hh,ppp,qqq,ssss,uuuu,vvvv,xxxx,yyyy,aaaaa

Type: RP **Manufacturer:** Wilkins **Model:** 475XLMS
Size: 6 **Orientation:** VUVD **Meters:**
Manual: 9 **0.25% Pb:** Yes **Spare Parts Only:** No
Approved: 14-Apr-2010 **Renewed:** 14-Apr-2013 **Bypass:**
Shutoffs: (ppp),qqq,sss,ttt,www,yyy,ssss,uuuu,vvvv,xxxx,yyyy,aaaaa

Type: RP **Manufacturer:** Wilkins **Model:** 475XLMS
Size: 8 **Orientation:** VUVD **Meters:**
Manual: 9 **0.25% Pb:** No **Spare Parts Only:** No
Approved: 18-Feb-2010 **Renewed:** 18-Feb-2013 **Bypass:**
Shutoffs: zzz,dddd,eeee

Type: RP **Manufacturer:** Wilkins **Model:** 475XLMS
Size: 8 **Orientation:** VUVD **Meters:**
Manual: 9 **0.25% Pb:** Yes **Spare Parts Only:** No
Approved: 18-Feb-2010 **Renewed:** 18-Feb-2013 **Bypass:**
Shutoffs: ppp,qqq,sss,ttt,www,yyy,ssss,uuuu,vvvv,xxxx,yyyy,aaaaa

Type: RP **Manufacturer:** Wilkins **Model:** 475XLMS
Size: 10 **Orientation:** H **Meters:**
Manual: 9 **0.25% Pb:** No **Spare Parts Only:** No
Approved: 18-Feb-2010 **Renewed:** 18-Feb-2013 **Bypass:**
Shutoffs: zzz,dddd,eeee

Type: RP Size: 10 Manual: 9 Approved: 18-Feb-2010 Shutoffs: ppp,qqq,sss,ttt,www,ssss,uuuu,vvvv,xxxx,yyyy,aaaaa	Manufacturer: Wilkins Orientation: H 0.25% Pb: Yes Renewed: 18-Feb-2013	Model: 475XLMS Meters: Spare Parts Only: No Bypass:
---	--	--

Type: RP Size: 2 1/2 Manual: 9 Approved: 14-Apr-2010 Shutoffs: ee,ff,ll,mm,tt,uu,yy,zz,zzz,dddd	Manufacturer: Wilkins Orientation: VUVU 0.25% Pb: No Renewed: 14-Apr-2013	Model: 475XLV Meters: Spare Parts Only: No Bypass:
--	--	---

Type: RP Size: 2 1/2 Manual: 9 Approved: 14-Apr-2010 Shutoffs: (gg),hh,ppp,qqq,ssss,uuuu,vvvv,xxxx,yyyy,aaaaa	Manufacturer: Wilkins Orientation: VUVU 0.25% Pb: Yes Renewed: 14-Apr-2013	Model: 475XLV Meters: Spare Parts Only: No Bypass:
--	---	---

Type: RP Size: 3 Manual: 9 Approved: 14-Apr-2010 Shutoffs: ee,ff,ll,mm,tt,uu,yy,zz,zzz,dddd	Manufacturer: Wilkins Orientation: VUVU 0.25% Pb: No Renewed: 14-Apr-2013	Model: 475XLV Meters: Spare Parts Only: No Bypass:
--	--	---

Type: RP Size: 3 Manual: 9 Approved: 14-Apr-2010 Shutoffs: (gg),hh,ppp,qqq,ssss,uuuu,vvvv,xxxx,yyyy,aaaaa	Manufacturer: Wilkins Orientation: VUVU 0.25% Pb: Yes Renewed: 14-Apr-2013	Model: 475XLV Meters: Spare Parts Only: No Bypass:
--	---	---

Type: RP Size: 4 Manual: 9 Approved: 14-Apr-2010 Shutoffs: zzz,dddd,eeee	Manufacturer: Wilkins Orientation: VUVU 0.25% Pb: No Renewed: 14-Apr-2013	Model: 475XLV Meters: Spare Parts Only: No Bypass:
---	--	---

Type: RP Size: 4 Manual: 9 Approved: 14-Apr-2010 Shutoffs: (ppp),qqq,sss,ttt,www,yyy,ssss,uuuu,vvvv,xxxx,yyyy,aaaaa	Manufacturer: Wilkins Orientation: VUVU 0.25% Pb: Yes Renewed: 14-Apr-2013	Model: 475XLV Meters: Spare Parts Only: No Bypass:
--	---	---

Type: RP	Manufacturer: Wilkins	Model: 475XLV
Size: 6	Orientation: VUVU	Meters:
Manual: 9	0.25% Pb: No	Spare Parts Only: No
Approved: 14-Apr-2010	Renewed: 14-Apr-2013	Bypass:
Shutoffs: zzz,dddd,eeee		

Type: RP	Manufacturer: Wilkins	Model: 475XLV
Size: 6	Orientation: VUVU	Meters:
Manual: 9	0.25% Pb: Yes	Spare Parts Only: No
Approved: 14-Apr-2010	Renewed: 14-Apr-2013	Bypass:
Shutoffs: (ppp),qqq,sss,ttt,www,yyy,ssss,uuuu,vvvv,xxxx,yyyy,aaaaa		

Type: RP	Manufacturer: Wilkins	Model: 475XLV
Size: 8	Orientation: VUVU	Meters:
Manual: 9	0.25% Pb: No	Spare Parts Only: No
Approved: 18-Feb-2010	Renewed: 18-Feb-2013	Bypass:
Shutoffs: zzz,dddd,eeee		

Type: RP	Manufacturer: Wilkins	Model: 475XLV
Size: 8	Orientation: VUVU	Meters:
Manual: 9	0.25% Pb: Yes	Spare Parts Only: No
Approved: 18-Feb-2010	Renewed: 18-Feb-2013	Bypass:
Shutoffs: ppp,qqq,sss,ttt,www,yyy,ssss,uuuu,vvvv,xxxx,yyyy,aaaaa		

Type: RP	Manufacturer: Wilkins	Model: 475XLV
Size: 10	Orientation: VUVU	Meters:
Manual: 9	0.25% Pb: No	Spare Parts Only: No
Approved: 18-Feb-2010	Renewed: 18-Feb-2013	Bypass:
Shutoffs: zzz,dddd,eeee		

Type: RP	Manufacturer: Wilkins	Model: 475XLV
Size: 10	Orientation: VUVU	Meters:
Manual: 9	0.25% Pb: Yes	Spare Parts Only: No
Approved: 18-Feb-2010	Renewed: 18-Feb-2013	Bypass:
Shutoffs: ppp,qqq,sss,ttt,www,ssss,uuuu,vvvv,xxxx,yyyy,aaaaa		

Type: RP	Manufacturer: Wilkins	Model: 475XLVMS
Size: 2 1/2	Orientation: VUVU	Meters:
Manual: 9	0.25% Pb: No	Spare Parts Only: No
Approved: 14-Apr-2010	Renewed: 14-Apr-2013	Bypass:
Shutoffs: ee,ff,ll,mm,tt,uu,yy,zz,zzz,dddd		

Type: RP **Manufacturer:** Wilkins **Model:** 475XLVMS
Size: 2 1/2 **Orientation:** VUVU **Meters:**
Manual: 9 **0.25% Pb:** Yes **Spare Parts Only:** No
Approved: 14-Apr-2010 **Renewed:** 14-Apr-2013 **Bypass:**
Shutoffs: (gg),hh,ppp,qqq,ssss,uuuu,vvvv,xxxx,yyyy,aaaaa

Type: RP **Manufacturer:** Wilkins **Model:** 475XLVMS
Size: 3 **Orientation:** VUVU **Meters:**
Manual: 9 **0.25% Pb:** No **Spare Parts Only:** No
Approved: 14-Apr-2010 **Renewed:** 14-Apr-2013 **Bypass:**
Shutoffs: ee,ff,ll,mm,tt,uu,yy,zz,zzz,dddd

Type: RP **Manufacturer:** Wilkins **Model:** 475XLVMS
Size: 3 **Orientation:** VUVU **Meters:**
Manual: 9 **0.25% Pb:** Yes **Spare Parts Only:** No
Approved: 14-Apr-2010 **Renewed:** 14-Apr-2013 **Bypass:**
Shutoffs: (gg),hh,ppp,qqq,ssss,uuuu,vvvv,xxxx,yyyy,aaaaa

Type: RP **Manufacturer:** Wilkins **Model:** 475XLVMS
Size: 4 **Orientation:** VUVU **Meters:**
Manual: 9 **0.25% Pb:** No **Spare Parts Only:** No
Approved: 14-Apr-2010 **Renewed:** 14-Apr-2013 **Bypass:**
Shutoffs: zzz,dddd,eeee

Type: RP **Manufacturer:** Wilkins **Model:** 475XLVMS
Size: 4 **Orientation:** VUVU **Meters:**
Manual: 9 **0.25% Pb:** Yes **Spare Parts Only:** No
Approved: 14-Apr-2010 **Renewed:** 14-Apr-2013 **Bypass:**
Shutoffs: (ppp),qqq,sss,ttt,www,yyy,ssss,uuuu,vvvv,xxxx,yyyy,aaaaa

Type: RP **Manufacturer:** Wilkins **Model:** 475XLVMS
Size: 6 **Orientation:** VUVU **Meters:**
Manual: 9 **0.25% Pb:** No **Spare Parts Only:** No
Approved: 14-Apr-2010 **Renewed:** 14-Apr-2013 **Bypass:**
Shutoffs: zzz,dddd,eeee

Type: RP **Manufacturer:** Wilkins **Model:** 475XLVMS
Size: 6 **Orientation:** VUVU **Meters:**
Manual: 9 **0.25% Pb:** Yes **Spare Parts Only:** No
Approved: 14-Apr-2010 **Renewed:** 14-Apr-2013 **Bypass:**
Shutoffs: (ppp),qqq,sss,ttt,www,yyy,ssss,uuuu,vvvv,xxxx,yyyy,aaaaa

Type: RP **Manufacturer:** Wilkins **Model:** 475XLVMS
Size: 8 **Orientation:** VUVU **Meters:**
Manual: 9 **0.25% Pb:** No **Spare Parts Only:** No
Approved: 18-Feb-2010 **Renewed:** 18-Feb-2013 **Bypass:**
Shutoffs: zzz,dddd,eeee

Type: RP **Manufacturer:** Wilkins **Model:** 475XLVMS
Size: 8 **Orientation:** VUVU **Meters:**
Manual: 9 **0.25% Pb:** Yes **Spare Parts Only:** No
Approved: 18-Feb-2010 **Renewed:** 18-Feb-2013 **Bypass:**
Shutoffs: ppp,qqq,sss,ttt,www,yyy,ssss,uuuu,vvvv,xxxx,yyyy,aaaaa

Type: RP **Manufacturer:** Wilkins **Model:** 475XLVMS
Size: 10 **Orientation:** H **Meters:**
Manual: 9 **0.25% Pb:** No **Spare Parts Only:** No
Approved: 18-Feb-2010 **Renewed:** 18-Feb-2013 **Bypass:**
Shutoffs: zzz,dddd,eeee

Type: RP **Manufacturer:** Wilkins **Model:** 475XLVMS
Size: 10 **Orientation:** H **Meters:**
Manual: 9 **0.25% Pb:** Yes **Spare Parts Only:** No
Approved: 18-Feb-2010 **Renewed:** 18-Feb-2013 **Bypass:**
Shutoffs: ppp,qqq,sss,ttt,www,ssss,uuuu,vvvv,xxxx,yyyy,aaaaa

Type: RP **Manufacturer:** Wilkins **Model:** 575
Size: 3/4 **Orientation:** H **Meters:**
Manual: 5 **0.25% Pb:** No **Spare Parts Only:** Yes
Approved: 28-Apr-1976 **Renewed:** 28-Apr-2015 **Bypass:**

Type: RP **Manufacturer:** Wilkins **Model:** 575
Size: 1 **Orientation:** H **Meters:**
Manual: 5 **0.25% Pb:** No **Spare Parts Only:** Yes
Approved: 28-Apr-1976 **Renewed:** 28-Apr-2015 **Bypass:**

Type: RP **Manufacturer:** Wilkins **Model:** 575
Size: 2 1/2 **Orientation:** H **Meters:**
Manual: 7 **0.25% Pb:** No **Spare Parts Only:** Yes
Approved: 25-Sep-1986 **Renewed:** 25-Sep-2013 **Bypass:**
Shutoffs: gg,ee,tt,yy

Type: RP Size: 3 Manual: 5 Approved: 20-Aug-1979 Shutoffs: gg,ee,tt,yy	Manufacturer: Wilkins Orientation: H 0.25% Pb: No Renewed: 20-Aug-2015	Model: 575 Meters: Spare Parts Only: Yes Bypass:
Type: RP Size: 4 Manual: 5 Approved: 08-Jun-1980 Shutoffs: gg,ee,tt,yy	Manufacturer: Wilkins Orientation: H 0.25% Pb: No Renewed: 08-Jun-2013	Model: 575 Meters: Spare Parts Only: Yes Bypass:
Type: RP Size: 6 Manual: 6 Approved: 06-Jul-1981 Shutoffs: gg,ee,tt,yy	Manufacturer: Wilkins Orientation: H 0.25% Pb: No Renewed: 06-Jul-2014	Model: 575 Meters: Spare Parts Only: Yes Bypass:
Type: RP Size: 1 1/4 Manual: 5 Approved: 11-Oct-1976 Shutoffs: ii	Manufacturer: Wilkins Orientation: H 0.25% Pb: No Renewed: 11-Oct-2015	Model: 575 (MOD-III) Meters: Spare Parts Only: Yes Bypass:
Type: RP Size: 1 1/2 Manual: 5 Approved: 11-Oct-1976 Shutoffs: ii	Manufacturer: Wilkins Orientation: H 0.25% Pb: No Renewed: 11-Oct-2015	Model: 575 (MOD-III) Meters: Spare Parts Only: Yes Bypass:
Type: RP Size: 2 Manual: 5 Approved: 11-Oct-1976 Shutoffs: ii	Manufacturer: Wilkins Orientation: H 0.25% Pb: No Renewed: 11-Oct-2015	Model: 575 (MOD-III) Meters: Spare Parts Only: Yes Bypass:
Type: RP Size: 3/4 Manual: 7 Approved: 17-Apr-1987 Shutoffs: ii	Manufacturer: Wilkins Orientation: H 0.25% Pb: No Renewed: 17-Apr-2014	Model: 575A Meters: Spare Parts Only: Yes Bypass:

Type: RP **Manufacturer:** Wilkins **Model:** 575A
Size: 1 **Orientation:** H **Meters:**
Manual: 7 **0.25% Pb:** No **Spare Parts Only:** Yes
Approved: 17-Apr-1987 **Renewed:** 17-Apr-2014 **Bypass:**
Shutoffs: ii

Type: RP **Manufacturer:** Wilkins **Model:** 575M10
Size: 10 **Orientation:** H **Meters:**
Manual: 6 **0.25% Pb:** No **Spare Parts Only:** Yes
Approved: 01-Jun-1983 **Renewed:** 01-Jun-2013 **Bypass:**
Shutoffs: gg,ee,tt,yy
Notes: 6"x6"x10" manifold, formerly MBC-10"

Type: RP **Manufacturer:** Wilkins **Model:** 575M8
Size: 8 **Orientation:** H **Meters:**
Manual: 6 **0.25% Pb:** No **Spare Parts Only:** Yes
Approved: 11-Apr-1983 **Renewed:** 11-Apr-2013 **Bypass:**
Shutoffs: gg,ee,tt,yy
Notes: 4"x4"x8" manifold, formerly MBC-8"

Type: RP **Manufacturer:** Wilkins **Model:** 975
Size: 3/4 **Orientation:** H **Meters:**
Manual: 8 **0.25% Pb:** No **Spare Parts Only:** Yes
Approved: 18-Jul-1991 **Renewed:** 18-Jul-2015 **Bypass:**
Shutoffs: ii

Type: RP **Manufacturer:** Wilkins **Model:** 975
Size: 1 **Orientation:** H **Meters:**
Manual: 8 **0.25% Pb:** No **Spare Parts Only:** Yes
Approved: 18-Jul-1991 **Renewed:** 18-Jul-2015 **Bypass:**
Shutoffs: ii

Type: RP **Manufacturer:** Wilkins **Model:** 975
Size: 1 1/4 **Orientation:** H **Meters:**
Manual: 8 **0.25% Pb:** No **Spare Parts Only:** Yes
Approved: 18-Jul-1991 **Renewed:** 18-Jul-2015 **Bypass:**
Shutoffs: ii

Type: RP **Manufacturer:** Wilkins **Model:** 975
Size: 1 1/2 **Orientation:** H **Meters:**
Manual: 8 **0.25% Pb:** No **Spare Parts Only:** Yes
Approved: 18-Jul-1991 **Renewed:** 18-Jul-2015 **Bypass:**
Shutoffs: ii

Type: RP **Manufacturer:** Wilkins **Model:** 975
Size: 2 **Orientation:** H **Meters:**
Manual: 8 **0.25% Pb:** No **Spare Parts Only:** Yes
Approved: 18-Jul-1991 **Renewed:** 18-Jul-2015 **Bypass:**
Shutoffs: ii

Type: RP **Manufacturer:** Wilkins **Model:** 975
Size: 2 1/2 **Orientation:** H **Meters:**
Manual: 8 **0.25% Pb:** No **Spare Parts Only:** Yes
Approved: 26-Nov-1991 **Renewed:** 26-Nov-2012 **Bypass:**
Shutoffs: gg,ee,ff,hh,tt,uu,yy,zz,ssss,tttt,vvvv,wwww,yyyy,zzzz

Type: RP **Manufacturer:** Wilkins **Model:** 975
Size: 3 **Orientation:** H **Meters:**
Manual: 8 **0.25% Pb:** No **Spare Parts Only:** Yes
Approved: 08-Nov-1991 **Renewed:** 08-Nov-2012 **Bypass:**
Shutoffs: gg,ee,ff,hh,tt,uu,yy,zz,ssss,tttt,vvvv,wwww,yyyy,zzzz

Type: RP **Manufacturer:** Wilkins **Model:** 975
Size: 4 **Orientation:** H **Meters:**
Manual: 8 **0.25% Pb:** No **Spare Parts Only:** Yes
Approved: 08-Nov-1991 **Renewed:** 08-Nov-2012 **Bypass:**
Shutoffs: gg,ee,ff,hh,tt,uu,yy,zz,ppp,ssss,tttt,vvvv,wwww,yyyy,zzzz

Type: RP **Manufacturer:** Wilkins **Model:** 975
Size: 6 **Orientation:** H **Meters:**
Manual: 8 **0.25% Pb:** No **Spare Parts Only:** Yes
Approved: 08-Nov-1991 **Renewed:** 08-Nov-2012 **Bypass:**
Shutoffs: gg,ee,ff,hh,tt,uu,yy,zz,ppp,ssss,tttt,vvvv,wwww,yyyy,zzzz

Type: RP **Manufacturer:** Wilkins **Model:** 975
Size: 8 **Orientation:** H **Meters:**
Manual: 8 **0.25% Pb:** No **Spare Parts Only:** No
Approved: 06-Feb-1995 **Renewed:** 06-Feb-2013 **Bypass:**
Shutoffs: (gg),ee,ff,hh,tt,uu,yy,zz,ppp,ssss,tttt,vvvv,wwww,yyyy,zzzz

Type: RP **Manufacturer:** Wilkins **Model:** 975
Size: 10 **Orientation:** H **Meters:**
Manual: 8 **0.25% Pb:** No **Spare Parts Only:** No
Approved: 06-Feb-1995 **Renewed:** 06-Feb-2013 **Bypass:**
Shutoffs: (gg),ee,ff,hh,tt,uu,yy,zz,ppp,ssss,tttt,vvvv,www,yyyy,zzzz

Type: RP **Manufacturer:** Wilkins **Model:** 975A
Size: 3/4 **Orientation:** H **Meters:**
Manual: 8 **0.25% Pb:** No **Spare Parts Only:** Yes
Approved: 18-Jul-1991 **Renewed:** 18-Jul-2015 **Bypass:**
Shutoffs: ii

Type: RP **Manufacturer:** Wilkins **Model:** 975A
Size: 1 **Orientation:** H **Meters:**
Manual: 8 **0.25% Pb:** No **Spare Parts Only:** Yes
Approved: 18-Jul-1991 **Renewed:** 18-Jul-2015 **Bypass:**
Shutoffs: ii

Type: RP **Manufacturer:** Wilkins **Model:** 975A
Size: 1 1/4 **Orientation:** H **Meters:**
Manual: 8 **0.25% Pb:** No **Spare Parts Only:** Yes
Approved: 18-Jul-1991 **Renewed:** 18-Jul-2015 **Bypass:**
Shutoffs: ii

Type: RP **Manufacturer:** Wilkins **Model:** 975A
Size: 1 1/2 **Orientation:** H **Meters:**
Manual: 8 **0.25% Pb:** No **Spare Parts Only:** Yes
Approved: 18-Jul-1991 **Renewed:** 18-Jul-2015 **Bypass:**
Shutoffs: ii

Type: RP **Manufacturer:** Wilkins **Model:** 975A
Size: 2 **Orientation:** H **Meters:**
Manual: 8 **0.25% Pb:** No **Spare Parts Only:** Yes
Approved: 18-Jul-1991 **Renewed:** 18-Jul-2015 **Bypass:**
Shutoffs: ii

Type: RP **Manufacturer:** Wilkins **Model:** 975BMS
Size: 2 1/2 **Orientation:** H **Meters:**
Manual: 8 **0.25% Pb:** No **Spare Parts Only:** No
Approved: 17-Jun-1997 **Renewed:** 17-Jun-2015 **Bypass:**
Shutoffs: (gg),ee,ff,hh,tt,uu,yy,zz,ssss,tttt,vvvv,www,yyyy,zzzz

Type: RP **Manufacturer:** Wilkins **Model:** 975BMS
Size: 3 **Orientation:** H **Meters:**
Manual: 8 **0.25% Pb:** No **Spare Parts Only:** No
Approved: 17-Jun-1997 **Renewed:** 17-Jun-2015 **Bypass:**
Shutoffs: (gg),ee,ff,hh,tt,uu,yy,zz,ssss,tttt,vvvv,wwww,yyyy,zzzz

Type: RP **Manufacturer:** Wilkins **Model:** 975BMS
Size: 4 **Orientation:** H **Meters:**
Manual: 8 **0.25% Pb:** No **Spare Parts Only:** Yes
Approved: 17-Jun-1997 **Renewed:** 17-Jun-2015 **Bypass:**
Shutoffs: gg,ee,ff,hh,tt,uu,yy,zz,ssss,tttt,vvvv,wwww,yyyy,zzzz

Type: RP **Manufacturer:** Wilkins **Model:** 975BMS
Size: 6 **Orientation:** H **Meters:**
Manual: 8 **0.25% Pb:** No **Spare Parts Only:** Yes
Approved: 17-Jun-1997 **Renewed:** 17-Jun-2015 **Bypass:**
Shutoffs: gg,ee,ff,hh,tt,uu,yy,zz,ssss,tttt,vvvv,wwww,yyyy,zzzz

Type: RP **Manufacturer:** Wilkins **Model:** 975BMS
Size: 8 **Orientation:** H **Meters:**
Manual: 8 **0.25% Pb:** No **Spare Parts Only:** No
Approved: 17-Jun-1997 **Renewed:** 17-Jun-2015 **Bypass:**
Shutoffs: (gg),ee,ff,hh,tt,uu,yy,zz,ppp,ssss,tttt,vvvv,wwww,yyyy,zzzz

Type: RP **Manufacturer:** Wilkins **Model:** 975BMS
Size: 10 **Orientation:** H **Meters:**
Manual: 8 **0.25% Pb:** No **Spare Parts Only:** No
Approved: 17-Jun-1997 **Renewed:** 17-Jun-2015 **Bypass:**
Shutoffs: (gg),ee,ff,hh,tt,uu,yy,zz,ppp,ssss,tttt,vvvv,wwww,yyyy,zzzz

Type: RP **Manufacturer:** Wilkins **Model:** 975MS
Size: 2 1/2 **Orientation:** H **Meters:**
Manual: 8 **0.25% Pb:** No **Spare Parts Only:** No
Approved: 05-May-1995 **Renewed:** 05-May-2013 **Bypass:**
Shutoffs: (gg),ee,ff,hh,tt,uu,yy,zz,ssss,tttt,vvvv,wwww,yyyy,zzzz

Type: RP **Manufacturer:** Wilkins **Model:** 975MS
Size: 3 **Orientation:** H **Meters:**
Manual: 8 **0.25% Pb:** No **Spare Parts Only:** No
Approved: 05-May-1995 **Renewed:** 05-May-2013 **Bypass:**
Shutoffs: (gg),ee,ff,hh,tt,uu,yy,zz,ssss,tttt,vvvv,wwww,yyyy,zzzz

Type: RP **Manufacturer:** Wilkins **Model:** 975MS
Size: 4 **Orientation:** H **Meters:**
Manual: 8 **0.25% Pb:** No **Spare Parts Only:** Yes
Approved: 05-May-1995 **Renewed:** 05-May-2013 **Bypass:**
Shutoffs: gg,ee,ff,hh,tt,uu,yy,zz,ssss,tttt,vvvv,www,yyyy,zzzz

Type: RP **Manufacturer:** Wilkins **Model:** 975MS
Size: 6 **Orientation:** H **Meters:**
Manual: 8 **0.25% Pb:** No **Spare Parts Only:** Yes
Approved: 05-May-1995 **Renewed:** 05-May-2013 **Bypass:**
Shutoffs: gg,ee,ff,hh,tt,uu,yy,zz,ssss,tttt,vvvv,www,yyyy,zzzz

Type: RP **Manufacturer:** Wilkins **Model:** 975MS
Size: 8 **Orientation:** H **Meters:**
Manual: 8 **0.25% Pb:** No **Spare Parts Only:** No
Approved: 05-Dec-1996 **Renewed:** 05-Dec-2014 **Bypass:**
Shutoffs: (gg),ee,ff,hh,tt,uu,yy,zz,ppp,ssss,tttt,vvvv,www,yyyy,zzzz

Type: RP **Manufacturer:** Wilkins **Model:** 975MS
Size: 10 **Orientation:** H **Meters:**
Manual: 8 **0.25% Pb:** No **Spare Parts Only:** No
Approved: 05-Dec-1996 **Renewed:** 05-Dec-2014 **Bypass:**
Shutoffs: (gg),ee,ff,hh,tt,uu,yy,zz,ppp,ssss,tttt,vvvv,www,yyyy,zzzz

Type: RP **Manufacturer:** Wilkins **Model:** 975XL
Size: 1/4 **Orientation:** H **Meters:**
Manual: 8 **0.25% Pb:** No **Spare Parts Only:** No
Approved: 12-Jul-1994 **Renewed:** 12-Jul-2015 **Bypass:**
Shutoffs: (ii)

Type: RP **Manufacturer:** Wilkins **Model:** 975XL
Size: 3/8 **Orientation:** H **Meters:**
Manual: 8 **0.25% Pb:** No **Spare Parts Only:** No
Approved: 12-Jul-1994 **Renewed:** 12-Jul-2015 **Bypass:**
Shutoffs: (ii)

Type: RP **Manufacturer:** Wilkins **Model:** 975XL
Size: 1/2 **Orientation:** H **Meters:**
Manual: 8 **0.25% Pb:** No **Spare Parts Only:** No
Approved: 12-Jul-1994 **Renewed:** 12-Jul-2015 **Bypass:**
Shutoffs: (ii)

Type: RP	Manufacturer: Wilkins	Model: 975XL
Size: 3/4	Orientation: H	Meters:
Manual: 8	0.25% Pb: No	Spare Parts Only: No
Approved: 02-Nov-1992	Renewed: 02-Nov-2013	Bypass:
Shutoffs: (ii),000		

Type: RP	Manufacturer: Wilkins	Model: 975XL
Size: 1	Orientation: H	Meters:
Manual: 8	0.25% Pb: No	Spare Parts Only: No
Approved: 02-Nov-1992	Renewed: 02-Nov-2013	Bypass:
Shutoffs: (ii),000		

Type: RP	Manufacturer: Wilkins	Model: 975XL
Size: 1 1/4	Orientation: H	Meters:
Manual: 8	0.25% Pb: No	Spare Parts Only: No
Approved: 02-Nov-1992	Renewed: 02-Nov-2013	Bypass:
Shutoffs: (ii),000,ggg		

Type: RP	Manufacturer: Wilkins	Model: 975XL
Size: 1 1/2	Orientation: H	Meters:
Manual: 8	0.25% Pb: No	Spare Parts Only: No
Approved: 02-Nov-1992	Renewed: 02-Nov-2013	Bypass:
Shutoffs: (ii),000		

Type: RP	Manufacturer: Wilkins	Model: 975XL
Size: 2	Orientation: H	Meters:
Manual: 8	0.25% Pb: No	Spare Parts Only: No
Approved: 02-Nov-1992	Renewed: 02-Nov-2013	Bypass:
Shutoffs: (ii),bbb,000,bbbbb,cccc		

Type: RP	Manufacturer: Wilkins	Model: 975XL2
Size: 1/4	Orientation: H	Meters:
Manual: 8	0.25% Pb: Yes	Spare Parts Only: No
Approved: 01-Oct-2009	Renewed: 01-Oct-2015	Bypass:
Shutoffs: (iii)		

Type: RP	Manufacturer: Wilkins	Model: 975XL2
Size: 3/8	Orientation: H	Meters:
Manual: 8	0.25% Pb: Yes	Spare Parts Only: No
Approved: 01-Oct-2009	Renewed: 01-Oct-2015	Bypass:
Shutoffs: (iii)		

Type: RP **Manufacturer:** Wilkins **Model:** 975XL2
Size: 1/2 **Orientation:** H **Meters:**
Manual: 8 **0.25% Pb:** Yes **Spare Parts Only:** No
Approved: 01-Oct-2009 **Renewed:** 01-Oct-2015 **Bypass:**
Shutoffs: (iii)

Type: RP **Manufacturer:** Wilkins **Model:** 975XL2
Size: 3/4 **Orientation:** H **Meters:**
Manual: 8 **0.25% Pb:** Yes **Spare Parts Only:** No
Approved: 29-Jul-2009 **Renewed:** 29-Jul-2015 **Bypass:**
Shutoffs: (iii)

Type: RP **Manufacturer:** Wilkins **Model:** 975XL2
Size: 1 **Orientation:** H **Meters:**
Manual: 8 **0.25% Pb:** Yes **Spare Parts Only:** No
Approved: 29-Jul-2009 **Renewed:** 29-Jul-2015 **Bypass:**
Shutoffs: (iii)

Type: RP **Manufacturer:** Wilkins **Model:** 975XL2
Size: 1 1/4 **Orientation:** H **Meters:**
Manual: 8 **0.25% Pb:** Yes **Spare Parts Only:** No
Approved: 21-Aug-2009 **Renewed:** 21-Aug-2015 **Bypass:**
Shutoffs: (iii)

Type: RP **Manufacturer:** Wilkins **Model:** 975XL2
Size: 1 1/2 **Orientation:** H **Meters:**
Manual: 8 **0.25% Pb:** Yes **Spare Parts Only:** No
Approved: 21-Aug-2009 **Renewed:** 21-Aug-2015 **Bypass:**
Shutoffs: (iii)

Type: RP **Manufacturer:** Wilkins **Model:** 975XL2
Size: 2 **Orientation:** H **Meters:**
Manual: 8 **0.25% Pb:** Yes **Spare Parts Only:** No
Approved: 21-Aug-2009 **Renewed:** 21-Aug-2015 **Bypass:**
Shutoffs: (iii)

Type: RP **Manufacturer:** Wilkins **Model:** 975XL2BMS
Size: 3/4 **Orientation:** H **Meters:**
Manual: 8 **0.25% Pb:** Yes **Spare Parts Only:** No
Approved: 09-Sep-2010 **Renewed:** 09-Sep-2013 **Bypass:**
Shutoffs: (iii)

Type: RP	Manufacturer: Wilkins	Model: 975XL2BMS
Size: 1	Orientation: H	Meters:
Manual: 8	0.25% Pb: Yes	Spare Parts Only: No
Approved: 09-Sep-2010	Renewed: 09-Sep-2013	Bypass:
Shutoffs: (iii)		

Type: RP	Manufacturer: Wilkins	Model: 975XL2BMS
Size: 1 1/4	Orientation: H	Meters:
Manual: 8	0.25% Pb: Yes	Spare Parts Only: No
Approved: 09-Sep-2010	Renewed: 09-Sep-2013	Bypass:
Shutoffs: (iii)		

Type: RP	Manufacturer: Wilkins	Model: 975XL2BMS
Size: 1 1/2	Orientation: H	Meters:
Manual: 8	0.25% Pb: Yes	Spare Parts Only: No
Approved: 09-Sep-2010	Renewed: 09-Sep-2013	Bypass:
Shutoffs: (iii)		

Type: RP	Manufacturer: Wilkins	Model: 975XL2BMS
Size: 2	Orientation: H	Meters:
Manual: 8	0.25% Pb: Yes	Spare Parts Only: No
Approved: 09-Sep-2010	Renewed: 09-Sep-2013	Bypass:
Shutoffs: (iii)		

Type: RP	Manufacturer: Wilkins	Model: 975XL2MS
Size: 3/4	Orientation: H	Meters:
Manual: 8	0.25% Pb: Yes	Spare Parts Only: No
Approved: 09-Sep-2010	Renewed: 09-Sep-2013	Bypass:
Shutoffs: (iii)		

Type: RP	Manufacturer: Wilkins	Model: 975XL2MS
Size: 1	Orientation: H	Meters:
Manual: 8	0.25% Pb: Yes	Spare Parts Only: No
Approved: 09-Sep-2010	Renewed: 09-Sep-2013	Bypass:
Shutoffs: (iii)		

Type: RP	Manufacturer: Wilkins	Model: 975XL2MS
Size: 1 1/4	Orientation: H	Meters:
Manual: 8	0.25% Pb: Yes	Spare Parts Only: No
Approved: 09-Sep-2010	Renewed: 09-Sep-2013	Bypass:
Shutoffs: (iii)		

Type: RP **Manufacturer:** Wilkins **Model:** 975XL2MS
Size: 1 1/2 **Orientation:** H **Meters:**
Manual: 8 **0.25% Pb:** Yes **Spare Parts Only:** No
Approved: 09-Sep-2010 **Renewed:** 09-Sep-2013 **Bypass:**
Shutoffs: (iii)

Type: RP **Manufacturer:** Wilkins **Model:** 975XL2MS
Size: 2 **Orientation:** H **Meters:**
Manual: 8 **0.25% Pb:** Yes **Spare Parts Only:** No
Approved: 09-Sep-2010 **Renewed:** 09-Sep-2013 **Bypass:**
Shutoffs: (iii)

Type: RP **Manufacturer:** Wilkins **Model:** 975XL2SE
Size: 3/4 **Orientation:** VUVD **Meters:**
Manual: 9 **0.25% Pb:** Yes **Spare Parts Only:** No
Approved: 22-Feb-2011 **Renewed:** 22-Feb-2014 **Bypass:**
Shutoffs: (iii)

Type: RP **Manufacturer:** Wilkins **Model:** 975XL2SE
Size: 3/4 **Orientation:** VUVU **Meters:**
Manual: 9 **0.25% Pb:** Yes **Spare Parts Only:** No
Approved: 22-Feb-2011 **Renewed:** 22-Feb-2014 **Bypass:**
Shutoffs: (iii)

Type: RP **Manufacturer:** Wilkins **Model:** 975XL2SE
Size: 1 **Orientation:** VUVD **Meters:**
Manual: 9 **0.25% Pb:** Yes **Spare Parts Only:** No
Approved: 22-Feb-2011 **Renewed:** 22-Feb-2014 **Bypass:**
Shutoffs: (iii)

Type: RP **Manufacturer:** Wilkins **Model:** 975XL2SE
Size: 1 **Orientation:** VUVU **Meters:**
Manual: 9 **0.25% Pb:** Yes **Spare Parts Only:** No
Approved: 22-Feb-2011 **Renewed:** 22-Feb-2014 **Bypass:**
Shutoffs: (iii)

Type: RP **Manufacturer:** Wilkins **Model:** 975XL2SE
Size: 1 1/4 **Orientation:** VUVD **Meters:**
Manual: 9 **0.25% Pb:** Yes **Spare Parts Only:** No
Approved: 22-Feb-2011 **Renewed:** 22-Feb-2014 **Bypass:**
Shutoffs: (iii)

Type: RP
Size: 1 1/4
Manual: 9
Approved: 22-Feb-2011
Shutoffs: (iii)

Manufacturer: Wilkins
Orientation: VUVU
0.25% Pb: Yes
Renewed: 22-Feb-2014

Model: 975XL2SE
Meters:
Spare Parts Only: No
Bypass:

Type: RP
Size: 1 1/2
Manual: 9
Approved: 22-Feb-2011
Shutoffs: (iii)

Manufacturer: Wilkins
Orientation: VUVD
0.25% Pb: Yes
Renewed: 22-Feb-2014

Model: 975XL2SE
Meters:
Spare Parts Only: No
Bypass:

Type: RP
Size: 1 1/2
Manual: 9
Approved: 22-Feb-2011
Shutoffs: (iii)

Manufacturer: Wilkins
Orientation: VUVU
0.25% Pb: Yes
Renewed: 22-Feb-2014

Model: 975XL2SE
Meters:
Spare Parts Only: No
Bypass:

Type: RP
Size: 2
Manual: 9
Approved: 22-Feb-2011
Shutoffs: (iii)

Manufacturer: Wilkins
Orientation: VUVD
0.25% Pb: Yes
Renewed: 22-Feb-2014

Model: 975XL2SE
Meters:
Spare Parts Only: No
Bypass:

Type: RP
Size: 2
Manual: 9
Approved: 22-Feb-2011
Shutoffs: (iii)

Manufacturer: Wilkins
Orientation: VUVU
0.25% Pb: Yes
Renewed: 22-Feb-2014

Model: 975XL2SE
Meters:
Spare Parts Only: No
Bypass:

Type: RP
Size: 3/4
Manual: 9
Approved: 29-Mar-2011
Shutoffs: (mmmmm)

Manufacturer: Wilkins
Orientation: VUVD
0.25% Pb: Yes
Renewed: 29-Mar-2014

Model: 975XL2SEU
Meters:
Spare Parts Only: No
Bypass:

Type: RP
Size: 3/4
Manual: 9
Approved: 29-Mar-2011
Shutoffs: (mmmmm)

Manufacturer: Wilkins
Orientation: VUVU
0.25% Pb: Yes
Renewed: 29-Mar-2014

Model: 975XL2SEU
Meters:
Spare Parts Only: No
Bypass:

Type: RP
Size: 1
Manual: 9
Approved: 29-Mar-2011
Shutoffs: (mmmmm)

Manufacturer: Wilkins
Orientation: VUVD
0.25% Pb: Yes
Renewed: 29-Mar-2014

Model: 975XL2SEU
Meters:
Spare Parts Only: No
Bypass:

Type: RP
Size: 1
Manual: 9
Approved: 29-Mar-2011
Shutoffs: (mmmmm)

Manufacturer: Wilkins
Orientation: VUVU
0.25% Pb: Yes
Renewed: 29-Mar-2014

Model: 975XL2SEU
Meters:
Spare Parts Only: No
Bypass:

Type: RP
Size: 1 1/4
Manual: 9
Approved: 22-Feb-2011
Shutoffs: (mmmmm)

Manufacturer: Wilkins
Orientation: VUVD
0.25% Pb: Yes
Renewed: 22-Feb-2014

Model: 975XL2SEU
Meters:
Spare Parts Only: No
Bypass:

Type: RP
Size: 1 1/4
Manual: 9
Approved: 22-Feb-2011
Shutoffs: (mmmmm)

Manufacturer: Wilkins
Orientation: VUVU
0.25% Pb: Yes
Renewed: 22-Feb-2014

Model: 975XL2SEU
Meters:
Spare Parts Only: No
Bypass:

Type: RP
Size: 1 1/2
Manual: 9
Approved: 22-Feb-2011
Shutoffs: (mmmmm)

Manufacturer: Wilkins
Orientation: VUVD
0.25% Pb: Yes
Renewed: 22-Feb-2014

Model: 975XL2SEU
Meters:
Spare Parts Only: No
Bypass:

Type: RP
Size: 1 1/2
Manual: 9
Approved: 22-Feb-2011
Shutoffs: (mmmmm)

Manufacturer: Wilkins
Orientation: VUVU
0.25% Pb: Yes
Renewed: 22-Feb-2014

Model: 975XL2SEU
Meters:
Spare Parts Only: No
Bypass:

Type: RP
Size: 2
Manual: 9
Approved: 22-Feb-2011
Shutoffs: (mmmmm)

Manufacturer: Wilkins
Orientation: VUVD
0.25% Pb: Yes
Renewed: 22-Feb-2014

Model: 975XL2SEU
Meters:
Spare Parts Only: No
Bypass:

Type: RP **Manufacturer:** Wilkins **Model:** 975XL2SEU
Size: 2 **Orientation:** VUVU **Meters:**
Manual: 9 **0.25% Pb:** Yes **Spare Parts Only:** No
Approved: 22-Feb-2011 **Renewed:** 22-Feb-2014 **Bypass:**
Shutoffs: (mmmmm)

Type: RP **Manufacturer:** Wilkins **Model:** 975XL2TCU
Size: 1/2 **Orientation:** H **Meters:**
Manual: 8 **0.25% Pb:** Yes **Spare Parts Only:** No
Approved: 09-Sep-2010 **Renewed:** 09-Sep-2013 **Bypass:**
Shutoffs: (iii)

Type: RP **Manufacturer:** Wilkins **Model:** 975XL2TCU
Size: 3/4 **Orientation:** H **Meters:**
Manual: 8 **0.25% Pb:** Yes **Spare Parts Only:** No
Approved: 09-Sep-2010 **Renewed:** 09-Sep-2013 **Bypass:**
Shutoffs: (iii)

Type: RP **Manufacturer:** Wilkins **Model:** 975XL2TCU
Size: 1 **Orientation:** H **Meters:**
Manual: 8 **0.25% Pb:** Yes **Spare Parts Only:** No
Approved: 09-Sep-2010 **Renewed:** 09-Sep-2013 **Bypass:**
Shutoffs: (iii)

Type: RP **Manufacturer:** Wilkins **Model:** 975XL2TCU
Size: 1 1/4 **Orientation:** H **Meters:**
Manual: 8 **0.25% Pb:** Yes **Spare Parts Only:** No
Approved: 09-Sep-2010 **Renewed:** 09-Sep-2013 **Bypass:**
Shutoffs: (iii)

Type: RP **Manufacturer:** Wilkins **Model:** 975XL2TCU
Size: 1 1/2 **Orientation:** H **Meters:**
Manual: 8 **0.25% Pb:** Yes **Spare Parts Only:** No
Approved: 09-Sep-2010 **Renewed:** 09-Sep-2013 **Bypass:**
Shutoffs: (iii)

Type: RP **Manufacturer:** Wilkins **Model:** 975XL2TCU
Size: 2 **Orientation:** H **Meters:**
Manual: 8 **0.25% Pb:** Yes **Spare Parts Only:** No
Approved: 09-Sep-2010 **Renewed:** 09-Sep-2013 **Bypass:**
Shutoffs: (iii)

Type: RP
Size: 3/4
Manual: 8
Approved: 22-Feb-2011
Shutoffs: (mmmmm)

Manufacturer: Wilkins
Orientation: H
0.25% Pb: Yes
Renewed: 22-Feb-2014

Model: 975XL2U
Meters:
Spare Parts Only: No
Bypass:

Type: RP
Size: 1
Manual: 8
Approved: 22-Feb-2011
Shutoffs: (mmmmm)

Manufacturer: Wilkins
Orientation: H
0.25% Pb: Yes
Renewed: 22-Feb-2014

Model: 975XL2U
Meters:
Spare Parts Only: No
Bypass:

Type: RP
Size: 1 1/2
Manual: 8
Approved: 22-Feb-2011
Shutoffs: (mmmmm)

Manufacturer: Wilkins
Orientation: H
0.25% Pb: Yes
Renewed: 22-Feb-2014

Model: 975XL2U
Meters:
Spare Parts Only: No
Bypass:

Type: RP
Size: 2
Manual: 8
Approved: 22-Feb-2011
Shutoffs: (mmmmm)

Manufacturer: Wilkins
Orientation: H
0.25% Pb: Yes
Renewed: 22-Feb-2014

Model: 975XL2U
Meters:
Spare Parts Only: No
Bypass:

Type: RP
Size: 3/4
Manual: 9
Approved: 22-Feb-2011
Shutoffs: (iii)

Manufacturer: Wilkins
Orientation: VUVD
0.25% Pb: Yes
Renewed: 22-Feb-2014

Model: 975XL2V
Meters:
Spare Parts Only: No
Bypass:

Type: RP
Size: 3/4
Manual: 9
Approved: 22-Feb-2011
Shutoffs: (iii)

Manufacturer: Wilkins
Orientation: VUVU
0.25% Pb: Yes
Renewed: 22-Feb-2014

Model: 975XL2V
Meters:
Spare Parts Only: No
Bypass:

Type: RP
Size: 1
Manual: 9
Approved: 22-Feb-2011
Shutoffs: (iii)

Manufacturer: Wilkins
Orientation: VUVD
0.25% Pb: Yes
Renewed: 22-Feb-2014

Model: 975XL2V
Meters:
Spare Parts Only: No
Bypass:

Type: RP
Size: 1
Manual: 9
Approved: 22-Feb-2011
Shutoffs: (iii)

Manufacturer: Wilkins
Orientation: VUVU
0.25% Pb: Yes
Renewed: 22-Feb-2014

Model: 975XL2V
Meters:
Spare Parts Only: No
Bypass:

Type: RP
Size: 2
Manual: 8
Approved: 22-Feb-2011
Shutoffs: (bbbb)

Manufacturer: Wilkins
Orientation: H
0.25% Pb: No
Renewed: 22-Feb-2014

Model: 975XLBF
Meters:
Spare Parts Only: No
Bypass:

Type: RP
Size: 2
Manual: 8
Approved: 22-Feb-2011
Shutoffs: (cccc)

Manufacturer: Wilkins
Orientation: H
0.25% Pb: No
Renewed: 22-Feb-2014

Model: 975XLBFSS
Meters:
Spare Parts Only: No
Bypass:

Type: RP
Size: 3/4
Manual: 8
Approved: 09-May-1997
Shutoffs: (ii),000

Manufacturer: Wilkins
Orientation: H
0.25% Pb: No
Renewed: 09-May-2015

Model: 975XLBMS
Meters:
Spare Parts Only: No
Bypass:

Type: RP
Size: 1
Manual: 8
Approved: 09-May-1997
Shutoffs: (ii),000

Manufacturer: Wilkins
Orientation: H
0.25% Pb: No
Renewed: 09-May-2015

Model: 975XLBMS
Meters:
Spare Parts Only: No
Bypass:

Type: RP
Size: 1 1/4
Manual: 8
Approved: 09-May-1997
Shutoffs: (ii),000

Manufacturer: Wilkins
Orientation: H
0.25% Pb: No
Renewed: 09-May-2015

Model: 975XLBMS
Meters:
Spare Parts Only: No
Bypass:

Type: RP
Size: 1 1/2
Manual: 8
Approved: 09-May-1997
Shutoffs: (ii),000

Manufacturer: Wilkins
Orientation: H
0.25% Pb: No
Renewed: 09-May-2015

Model: 975XLBMS
Meters:
Spare Parts Only: No
Bypass:

Type: RP **Manufacturer:** Wilkins **Model:** 975XLBMS
Size: 2 **Orientation:** H **Meters:**
Manual: 8 **0.25% Pb:** No **Spare Parts Only:** No
Approved: 09-May-1997 **Renewed:** 09-May-2015 **Bypass:**
Shutoffs: (ii),000

Type: RP **Manufacturer:** Wilkins **Model:** 975XLD
Size: 3/4 **Orientation:** H **Meters:**
Manual: 9 **0.25% Pb:** No **Spare Parts Only:** No
Approved: 08-Oct-2002 **Renewed:** 08-Oct-2014 **Bypass:**
Shutoffs: (ii),000

Type: RP **Manufacturer:** Wilkins **Model:** 975XLD
Size: 3/4 **Orientation:** H **Meters:**
Manual: 10 **0.25% Pb:** Yes **Spare Parts Only:** No
Approved: 03-Jul-2013 **Renewed:** **Bypass:**
Shutoffs: (iii)

Type: RP **Manufacturer:** Wilkins **Model:** 975XLMS
Size: 3/4 **Orientation:** H **Meters:**
Manual: 8 **0.25% Pb:** No **Spare Parts Only:** No
Approved: 30-Aug-1994 **Renewed:** 30-Aug-2015 **Bypass:**
Shutoffs: (ii),000

Type: RP **Manufacturer:** Wilkins **Model:** 975XLMS
Size: 1 **Orientation:** H **Meters:**
Manual: 8 **0.25% Pb:** No **Spare Parts Only:** No
Approved: 30-Aug-1994 **Renewed:** 30-Aug-2015 **Bypass:**
Shutoffs: (ii),000

Type: RP **Manufacturer:** Wilkins **Model:** 975XLMS
Size: 1 1/4 **Orientation:** H **Meters:**
Manual: 8 **0.25% Pb:** No **Spare Parts Only:** No
Approved: 30-Aug-1994 **Renewed:** 30-Aug-2015 **Bypass:**
Shutoffs: (ii),000

Type: RP **Manufacturer:** Wilkins **Model:** 975XLMS
Size: 1 1/2 **Orientation:** H **Meters:**
Manual: 8 **0.25% Pb:** No **Spare Parts Only:** No
Approved: 30-Aug-1994 **Renewed:** 30-Aug-2015 **Bypass:**
Shutoffs: (ii),000

Type: RP
Size: 2
Manual: 8
Approved: 30-Aug-1994
Shutoffs: (ii),000

Manufacturer: Wilkins
Orientation: H
0.25% Pb: No
Renewed: 30-Aug-2015

Model: 975XLMS
Meters:
Spare Parts Only: No
Bypass:

Type: RP
Size: 3/4
Manual: 9
Approved: 16-Oct-2000
Shutoffs: (ii),000

Manufacturer: Wilkins
Orientation: VUVD
0.25% Pb: No
Renewed: 16-Oct-2012

Model: 975XLSE
Meters:
Spare Parts Only: No
Bypass:

Type: RP
Size: 3/4
Manual: 9
Approved: 16-Oct-2000
Shutoffs: (ii),000

Manufacturer: Wilkins
Orientation: VUVU
0.25% Pb: No
Renewed: 16-Oct-2012

Model: 975XLSE
Meters:
Spare Parts Only: No
Bypass:

Type: RP
Size: 1
Manual: 9
Approved: 16-Oct-2000
Shutoffs: (ii),000

Manufacturer: Wilkins
Orientation: VUVD
0.25% Pb: No
Renewed: 16-Oct-2012

Model: 975XLSE
Meters:
Spare Parts Only: No
Bypass:

Type: RP
Size: 1
Manual: 9
Approved: 16-Oct-2000
Shutoffs: (ii),000

Manufacturer: Wilkins
Orientation: VUVU
0.25% Pb: No
Renewed: 16-Oct-2012

Model: 975XLSE
Meters:
Spare Parts Only: No
Bypass:

Type: RP
Size: 1 1/4
Manual: 9
Approved: 04-Nov-1999
Shutoffs: (ii),000

Manufacturer: Wilkins
Orientation: VUVD
0.25% Pb: No
Renewed: 04-Nov-2014

Model: 975XLSE
Meters:
Spare Parts Only: No
Bypass:

Type: RP
Size: 1 1/4
Manual: 9
Approved: 04-Nov-1999
Shutoffs: (ii),000

Manufacturer: Wilkins
Orientation: VUVU
0.25% Pb: No
Renewed: 04-Nov-2014

Model: 975XLSE
Meters:
Spare Parts Only: No
Bypass:

Type: RP
Size: 1 1/2
Manual: 9
Approved: 04-Nov-1999
Shutoffs: (ii),000

Manufacturer: Wilkins
Orientation: VUVD
0.25% Pb: No
Renewed: 04-Nov-2014

Model: 975XLSE
Meters:
Spare Parts Only: No
Bypass:

Type: RP
Size: 1 1/2
Manual: 9
Approved: 04-Nov-1999
Shutoffs: (ii),000

Manufacturer: Wilkins
Orientation: VUVU
0.25% Pb: No
Renewed: 04-Nov-2014

Model: 975XLSE
Meters:
Spare Parts Only: No
Bypass:

Type: RP
Size: 2
Manual: 9
Approved: 04-Nov-1999
Shutoffs: (ii),000

Manufacturer: Wilkins
Orientation: VUVD
0.25% Pb: No
Renewed: 04-Nov-2014

Model: 975XLSE
Meters:
Spare Parts Only: No
Bypass:

Type: RP
Size: 2
Manual: 9
Approved: 04-Nov-1999
Shutoffs: (ii),000

Manufacturer: Wilkins
Orientation: VUVU
0.25% Pb: No
Renewed: 04-Nov-2014

Model: 975XLSE
Meters:
Spare Parts Only: No
Bypass:

Type: RP
Size: 3/4
Manual: 9
Approved: 16-Oct-2000
Shutoffs: (ggg),xxx

Manufacturer: Wilkins
Orientation: VUVD
0.25% Pb: No
Renewed: 16-Oct-2012

Model: 975XLSEU
Meters:
Spare Parts Only: No
Bypass:

Type: RP
Size: 3/4
Manual: 9
Approved: 16-Oct-2000
Shutoffs: (ggg),xxx

Manufacturer: Wilkins
Orientation: VUVU
0.25% Pb: No
Renewed: 16-Oct-2012

Model: 975XLSEU
Meters:
Spare Parts Only: No
Bypass:

Type: RP
Size: 1
Manual: 9
Approved: 16-Oct-2000
Shutoffs: (ggg),xxx

Manufacturer: Wilkins
Orientation: VUVD
0.25% Pb: No
Renewed: 16-Oct-2012

Model: 975XLSEU
Meters:
Spare Parts Only: No
Bypass:

Type: RP
Size: 1
Manual: 9
Approved: 16-Oct-2000
Shutoffs: (ggg),xxx

Manufacturer: Wilkins
Orientation: VUVU
0.25% Pb: No
Renewed: 16-Oct-2012

Model: 975XLSEU
Meters:
Spare Parts Only: No
Bypass:

Type: RP
Size: 1 1/4
Manual: 9
Approved: 27-Mar-2000
Shutoffs: (ggg),xxx

Manufacturer: Wilkins
Orientation: VUVD
0.25% Pb: No
Renewed: 27-Mar-2015

Model: 975XLSEU
Meters:
Spare Parts Only: No
Bypass:

Type: RP
Size: 1 1/4
Manual: 9
Approved: 27-Mar-2000
Shutoffs: (ggg),xxx

Manufacturer: Wilkins
Orientation: VUVU
0.25% Pb: No
Renewed: 27-Mar-2015

Model: 975XLSEU
Meters:
Spare Parts Only: No
Bypass:

Type: RP
Size: 1 1/2
Manual: 9
Approved: 27-Mar-2000
Shutoffs: (ggg),xxx

Manufacturer: Wilkins
Orientation: VUVD
0.25% Pb: No
Renewed: 27-Mar-2015

Model: 975XLSEU
Meters:
Spare Parts Only: No
Bypass:

Type: RP
Size: 1 1/2
Manual: 9
Approved: 27-Mar-2000
Shutoffs: (ggg),xxx

Manufacturer: Wilkins
Orientation: VUVU
0.25% Pb: No
Renewed: 27-Mar-2015

Model: 975XLSEU
Meters:
Spare Parts Only: No
Bypass:

Type: RP
Size: 2
Manual: 9
Approved: 27-Mar-2000
Shutoffs: (ggg),xxx

Manufacturer: Wilkins
Orientation: VUVD
0.25% Pb: No
Renewed: 27-Mar-2015

Model: 975XLSEU
Meters:
Spare Parts Only: No
Bypass:

Type: RP
Size: 2
Manual: 9
Approved: 27-Mar-2000
Shutoffs: (ggg),xxx

Manufacturer: Wilkins
Orientation: VUVU
0.25% Pb: No
Renewed: 27-Mar-2015

Model: 975XLSEU
Meters:
Spare Parts Only: No
Bypass:

Type: RP	Manufacturer: Wilkins	Model: 975XLST
Size: 3/8	Orientation: H	Meters:
Manual: 9	0.25% Pb: Yes	Spare Parts Only: No
Approved: 19-Nov-2002	Renewed: 19-Nov-2014	Bypass:
Shutoffs: (ggggg)		

Type: RP	Manufacturer: Wilkins	Model: 975XLST
Size: 1/2	Orientation: H	Meters:
Manual: 9	0.25% Pb: Yes	Spare Parts Only: No
Approved: 19-Nov-2002	Renewed: 19-Nov-2014	Bypass:
Shutoffs: (ggggg)		

Type: RP	Manufacturer: Wilkins	Model: 975XLTCU
Size: 1/2	Orientation: H	Meters:
Manual: 8	0.25% Pb: No	Spare Parts Only: No
Approved: 05-Apr-2007	Renewed: 05-Apr-2013	Bypass:
Shutoffs: (ii),ooo		

Type: RP	Manufacturer: Wilkins	Model: 975XLTCU
Size: 3/4	Orientation: H	Meters:
Manual: 8	0.25% Pb: No	Spare Parts Only: No
Approved: 27-Jun-2006	Renewed: 27-Jun-2015	Bypass:
Shutoffs: (ii),ooo,xxx		

Type: RP	Manufacturer: Wilkins	Model: 975XLTCU
Size: 1	Orientation: H	Meters:
Manual: 8	0.25% Pb: No	Spare Parts Only: No
Approved: 27-Jun-2006	Renewed: 27-Jun-2015	Bypass:
Shutoffs: (ii),ooo,xxx		

Type: RP	Manufacturer: Wilkins	Model: 975XLTCU
Size: 1 1/4	Orientation: H	Meters:
Manual: 8	0.25% Pb: No	Spare Parts Only: No
Approved: 27-Jun-2006	Renewed: 27-Jun-2015	Bypass:
Shutoffs: (ii),ooo,xxx		

Type: RP	Manufacturer: Wilkins	Model: 975XLTCU
Size: 1 1/2	Orientation: H	Meters:
Manual: 8	0.25% Pb: No	Spare Parts Only: No
Approved: 27-Jun-2006	Renewed: 27-Jun-2015	Bypass:
Shutoffs: (ii),ooo,xxx		

Type: RP	Manufacturer: Wilkins	Model: 975XLTCU
Size: 2	Orientation: H	Meters:
Manual: 8	0.25% Pb: No	Spare Parts Only: No
Approved: 27-Jun-2006	Renewed: 27-Jun-2015	Bypass:
Shutoffs: (ii),000,xxx		

Type: RP	Manufacturer: Wilkins	Model: 975XLU
Size: 3/4	Orientation: H	Meters:
Manual: 8	0.25% Pb: No	Spare Parts Only: No
Approved: 02-Sep-1993	Renewed: 02-Sep-2014	Bypass:
Shutoffs: (ggg),xxx		

Type: RP	Manufacturer: Wilkins	Model: 975XLU
Size: 1	Orientation: H	Meters:
Manual: 8	0.25% Pb: No	Spare Parts Only: No
Approved: 02-Sep-1993	Renewed: 02-Sep-2014	Bypass:
Shutoffs: (ggg),xxx		

Type: RP	Manufacturer: Wilkins	Model: 975XLU
Size: 1 1/2	Orientation: H	Meters:
Manual: 8	0.25% Pb: No	Spare Parts Only: No
Approved: 02-Sep-1993	Renewed: 02-Sep-2014	Bypass:
Shutoffs: (ggg),xxx		

Type: RP	Manufacturer: Wilkins	Model: 975XLU
Size: 2	Orientation: H	Meters:
Manual: 8	0.25% Pb: No	Spare Parts Only: No
Approved: 02-Sep-1993	Renewed: 02-Sep-2014	Bypass:
Shutoffs: (ggg),xxx		

Type: RP	Manufacturer: Wilkins	Model: 975XLV
Size: 3/4	Orientation: VUVD	Meters:
Manual: 9	0.25% Pb: No	Spare Parts Only: No
Approved: 07-Jan-2001	Renewed: 07-Jan-2013	Bypass:
Shutoffs: (ii),000		

Type: RP	Manufacturer: Wilkins	Model: 975XLV
Size: 3/4	Orientation: VUVU	Meters:
Manual: 9	0.25% Pb: No	Spare Parts Only: No
Approved: 07-Jan-2001	Renewed: 07-Jan-2013	Bypass:
Shutoffs: (ii),000		

Type: RP	Manufacturer: Wilkins	Model: 975XLV
Size: 1	Orientation: VUVD	Meters:
Manual: 9	0.25% Pb: No	Spare Parts Only: No
Approved: 07-Jan-2001	Renewed: 07-Jan-2013	Bypass:
Shutoffs: (ii),ooo		

Type: RP	Manufacturer: Wilkins	Model: 975XLV
Size: 1	Orientation: VUVU	Meters:
Manual: 9	0.25% Pb: No	Spare Parts Only: No
Approved: 07-Jan-2001	Renewed: 07-Jan-2013	Bypass:
Shutoffs: (ii),ooo		

Type: RP	Manufacturer: Wilkins	Model: MBC-10"
Size: 10	Orientation:	Meters:
Manual:	0.25% Pb: No	Spare Parts Only: No
Approved:	Renewed:	Bypass:
Notes: 6"x6"x10" manifold, Model designation changed to 575M10		

Type: RP	Manufacturer: Wilkins	Model: MBC-8"
Size: 8	Orientation:	Meters:
Manual:	0.25% Pb: No	Spare Parts Only: No
Approved:	Renewed:	Bypass:
Notes: 6"x6"x10" manifold,Model designation changed to 575M8		

Type: RPDA	Manufacturer: Ames	Model: 5000
Size: 4	Orientation: H	Meters: (M),A,B,C,D,E,F,G,H,I,J,K,L,N,O,P,Q
Manual: 8	0.25% Pb: No	Spare Parts Only: No
Approved: 28-Dec-1989	Renewed: 20-Dec-2013	Bypass: Conbraco 4020402 3/4 (H)
Shutoffs: (uu),ee,ff,gg,hh,ll,mm,oo,pp,tt,ccc,ddd,ffff,gggg		

Type: RPDA	Manufacturer: Ames	Model: 5000
Size: 6	Orientation: H	Meters: (K),A,B,C,D,E,F,G,H,I,J,L,M,N,O,P,Q
Manual: 8	0.25% Pb: No	Spare Parts Only: No
Approved: 28-Dec-1989	Renewed: 20-Dec-2013	Bypass: Conbraco 4020402 3/4 (H)
Shutoffs: (uu),ee,ff,gg,hh,ll,mm,oo,pp,tt,ccc,ddd,ffff,gggg		

Type: RPDA **Manufacturer:** Ames **Model:** 5000
Size: 8 **Orientation:** H **Meters:**
(K),A,B,C,D,E,F,G,H,I,J,L,M,N,O,P,Q
Manual: 8 **0.25% Pb:** No **Spare Parts Only:** No
Approved: 01-Jul-1989 **Renewed:** 01-Jul-2013 **Bypass:** Conbraco 4020402 3/4 (H)
Shutoffs: (uu),ee,ff,gg,hh,ll,mm,oo,pp,tt,ccc,ddd,ffff,gggg

Type: RPDA **Manufacturer:** Ames **Model:** 5000
Size: 10 **Orientation:** H **Meters:**
(M),A,B,C,D,E,F,G,H,I,J,K,L,N,O,P,Q
Manual: 8 **0.25% Pb:** No **Spare Parts Only:** Yes
Approved: 19-Mar-1990 **Renewed:** 19-Mar-2014 **Bypass:** Conbraco 4020402 3/4 (H)
Shutoffs: uu,ee,ff,gg,hh,ll,mm,oo,pp,tt,ccc,ddd,ffff,gggg

Type: RPDA **Manufacturer:** Ames **Model:** 5000CIV
Size: 2 1/2 **Orientation:** H **Meters:**
(H),C,D,E,F,G,I,J,K,L,M,N,O,P,Q
Manual: 8 **0.25% Pb:** No **Spare Parts Only:** No
Approved: 07-Jul-2000 **Renewed:** 07-Jul-2015 **Bypass:** Watts 909QT 3/4 (H)
Shutoffs: (pp),hh,mm,uu

Type: RPDA **Manufacturer:** Ames **Model:** 5000CIV
Size: 3 **Orientation:** H **Meters:**
(N),B,C,D,E,F,G,H,I,J,K,L,M,N,O,P,Q
Manual: 8 **0.25% Pb:** No **Spare Parts Only:** No
Approved: 07-Jul-2000 **Renewed:** 07-Jul-2015 **Bypass:** Watts 909QT 3/4 (H)
Shutoffs: (pp),hh,mm,uu,eee

Type: RPDA **Manufacturer:** Ames **Model:** 5000CIV
Size: 4 **Orientation:** H **Meters:**
(N),B,C,D,E,F,G,H,I,J,K,L,M,N,O,P,Q
Manual: 8 **0.25% Pb:** No **Spare Parts Only:** No
Approved: 07-Jul-2000 **Renewed:** 07-Jul-2015 **Bypass:** Watts 909QT 3/4 (H)
Shutoffs: (pp),hh,mm,uu,eee

Type: RPDA **Manufacturer:** Ames **Model:** 5000CIV
Size: 6 **Orientation:** H **Meters:**
(N),B,C,D,E,F,G,H,I,J,K,L,M,N,O,P,Q
Manual: 8 **0.25% Pb:** No **Spare Parts Only:** No
Approved: 07-Jul-2000 **Renewed:** 07-Jul-2015 **Bypass:** Watts 909QT 3/4 (H)
Shutoffs: (pp),hh,mm,uu,eee

Type: RPDA	Manufacturer: Ames	Model: 5000CIV
Size: 8	Orientation: H	Meters: (N),B,C,D,E,F,G,H,I,J,K,L,M,N,O,P,Q
Manual: 8	0.25% Pb: No	Spare Parts Only: No
Approved: 07-Jul-2000	Renewed: 07-Jul-2015	Bypass: Watts 909QT 3/4 (H)
Shutoffs: (pp),hh,mm,uu,eee		

Type: RPDA	Manufacturer: Ames	Model: 5000CIV
Size: 10	Orientation: H	Meters: (N),B,C,D,E,F,G,H,I,J,K,L,M,N,O,P,Q
Manual: 8	0.25% Pb: No	Spare Parts Only: No
Approved: 07-Jul-2000	Renewed: 07-Jul-2015	Bypass: Watts 909QT 3/4 (H)
Shutoffs: (pp),hh,mm,uu,eee		

Type: RPDA	Manufacturer: Ames	Model: Colt 500-GV
Size: 2 1/2	Orientation: H	Meters: (N),H,I,J,K,L,M,N,O,P,Q
Manual: 9	0.25% Pb: No	Spare Parts Only: No
Approved: 20-Jun-2006	Renewed: 20-Jun-2015	Bypass: Watts 919QT 3/4" (H)
Shutoffs: (zzz)		

Type: RPDA	Manufacturer: Ames	Model: Colt 500-GV
Size: 3	Orientation: H	Meters: (N),H,I,J,K,L,M,N,O,P,Q
Manual: 9	0.25% Pb: No	Spare Parts Only: No
Approved: 20-Jun-2006	Renewed: 20-Jun-2015	Bypass: Watts 919QT 3/4" (H)
Shutoffs: (zzz)		

Type: RPDA	Manufacturer: Ames	Model: Colt 500-GV
Size: 4	Orientation: H	Meters: (N),H,I,J,K,L,M,N,O,P,Q
Manual: 9	0.25% Pb: No	Spare Parts Only: No
Approved: 20-Jun-2006	Renewed: 20-Jun-2015	Bypass: Watts 919QT 3/4" (H)
Shutoffs: (zzz)		

Type: RPDA	Manufacturer: Ames	Model: Colt 500-GV
Size: 6	Orientation: H	Meters: (N),H,I,J,K,L,M,N,O,P,Q
Manual: 9	0.25% Pb: No	Spare Parts Only: No
Approved: 20-Jun-2006	Renewed: 20-Jun-2015	Bypass: Watts 919QT 3/4" (H)
Shutoffs: (zzz)		

Type: RPDA
Size: 8
Manual: 9
Approved: 15-Nov-2010
Shutoffs: (zzz)

Manufacturer: Ames
Orientation: H
0.25% Pb: No
Renewed: 15-Nov-2013

Model: Colt 500-GV
Meters: (N),H,I,J,K,L,M,N,O,P,Q
Spare Parts Only: No
Bypass: Watts 919QT 3/4" (H)

Type: RPDA
Size: 10
Manual: 9
Approved: 27-Sep-2010
Shutoffs: (zzz)

Manufacturer: Ames
Orientation: H
0.25% Pb: No
Renewed: 27-Sep-2013

Model: Colt 500-GV
Meters: (N),H,I,J,K,L,M,N,O,P,Q
Spare Parts Only: No
Bypass: Watts 919QT 3/4" (H)

Type: RPDA
Size: 2 1/2
Manual: 9
Approved: 24-Jun-2013
Shutoffs: (yyy)

Manufacturer: Ames
Orientation: VUVD
0.25% Pb: No
Renewed:

Model: Colt 500NBF
Meters: (N),H,I,J,K,L,M,N,O,P,Q
Spare Parts Only: No
Bypass: Watts 919QT 3/4" (H)

Type: RPDA
Size: 3
Manual: 9
Approved: 28-May-2009
Shutoffs: (yyy)

Manufacturer: Ames
Orientation: VUVD
0.25% Pb: No
Renewed: 28-May-2015

Model: Colt 500NBF
Meters: (N),H,I,J,K,L,M,N,O,P,Q
Spare Parts Only: No
Bypass: Watts 919QT 3/4" (H)

Type: RPDA
Size: 4
Manual: 9
Approved: 28-May-2009
Shutoffs: (yyy)

Manufacturer: Ames
Orientation: VUVD
0.25% Pb: No
Renewed: 28-May-2015

Model: Colt 500NBF
Meters: (N),H,I,J,K,L,M,N,O,P,Q
Spare Parts Only: No
Bypass: Watts 919QT 3/4" (H)

Type: RPDA
Size: 8
Manual: 9
Approved: 14-Jun-2013
Shutoffs: (yyy)

Manufacturer: Ames
Orientation: VUVD
0.25% Pb: No
Renewed:

Model: Colt 500NBF
Meters: (N),H,I,J,K,L,M,N,O,P,Q
Spare Parts Only: No
Bypass: Watts 919QT 3/4" (H)

Type: RPDA
Size: 2 1/2
Manual: 9
Approved: 28-May-2009
Shutoffs: (zzz)

Manufacturer: Ames
Orientation: VUVD
0.25% Pb: No
Renewed: 28-May-2015

Model: Colt 500NGV
Meters: (N),H,I,J,K,L,M,N,O,P,Q
Spare Parts Only: No
Bypass: Watts 919QT 3/4" (H)

Type: RPDA
Size: 3
Manual: 9
Approved: 07-Apr-2009
Shutoffs: (zzz)

Manufacturer: Ames
Orientation: VUVD
0.25% Pb: No
Renewed: 07-Apr-2015

Model: Colt 500NGV
Meters: (N),H,I,J,K,L,M,N,O,P,Q
Spare Parts Only: No
Bypass: Watts 919QT 3/4" (H)

Type: RPDA
Size: 4
Manual: 9
Approved: 07-Apr-2009
Shutoffs: (zzz)

Manufacturer: Ames
Orientation: VUVD
0.25% Pb: No
Renewed: 07-Apr-2015

Model: Colt 500NGV
Meters: (N),H,I,J,K,L,M,N,O,P,Q
Spare Parts Only: No
Bypass: Watts 919QT 3/4" (H)

Type: RPDA
Size: 6
Manual: 9
Approved: 15-Nov-2010
Shutoffs: (zzz)

Manufacturer: Ames
Orientation: VUVD
0.25% Pb: No
Renewed: 15-Nov-2013

Model: Colt 500NGV
Meters: (N),H,I,J,K,L,M,N,O,P,Q
Spare Parts Only: No
Bypass: Watts 919QT 3/4" (H)

Type: RPDA
Size: 8
Manual: 9
Approved: 14-Jun-2013
Shutoffs: (zzz)

Manufacturer: Ames
Orientation: VUVD
0.25% Pb: No
Renewed:

Model: Colt 500NGV
Meters: (N),H,I,J,K,L,M,N,O,P,Q
Spare Parts Only: No
Bypass: Watts 919QT 3/4" (H)

Type: RPDA
Size: 2 1/2
Manual: 9
Approved: 24-Jun-2013
Shutoffs: (yyy)

Manufacturer: Ames
Orientation: VUVU
0.25% Pb: No
Renewed:

Model: Colt 500ZBF
Meters: (N),H,I,J,K,L,M,N,O,P,Q
Spare Parts Only: No
Bypass: Watts 919QT 3/4" (H)

Type: RPDA
Size: 3
Manual: 9
Approved: 24-Jun-2013
Shutoffs: (yyy)

Manufacturer: Ames
Orientation: VUVU
0.25% Pb: No
Renewed:

Model: Colt 500ZBF
Meters: (N),H,I,J,K,L,M,N,O,P,Q
Spare Parts Only: No
Bypass: Watts 919QT 3/4" (H)

Type: RPDA
Size: 4
Manual: 9
Approved: 24-Jun-2013
Shutoffs: (yyy)

Manufacturer: Ames
Orientation: VUVU
0.25% Pb: No
Renewed:

Model: Colt 500ZBF
Meters: (N),H,I,J,K,L,M,N,O,P,Q
Spare Parts Only: No
Bypass: Watts 919QT 3/4" (H)

Type: RPDA
Size: 8
Manual: 9
Approved: 14-Jun-2013
Shutoffs: (yyy)

Manufacturer: Ames
Orientation: VUVU
0.25% Pb: No
Renewed:

Model: Colt 500ZBF
Meters: (N),H,I,J,K,L,M,N,O,P,Q
Spare Parts Only: No
Bypass: Watts 919QT 3/4" (H)

Type: RPDA
Size: 2 1/2
Manual: 9
Approved: 24-Jun-2013
Shutoffs: (zzz)

Manufacturer: Ames
Orientation: VUVU
0.25% Pb: No
Renewed:

Model: Colt 500ZGV
Meters: (N),H,I,J,K,L,M,N,O,P,Q
Spare Parts Only: No
Bypass: Watts 919QT 3/4" (H)

Type: RPDA
Size: 3
Manual: 9
Approved: 24-Jun-2013
Shutoffs: (zzz)

Manufacturer: Ames
Orientation: VUVU
0.25% Pb: No
Renewed:

Model: Colt 500ZGV
Meters: (N),H,I,J,K,L,M,N,O,P,Q
Spare Parts Only: No
Bypass: Watts 919QT 3/4" (H)

Type: RPDA
Size: 4
Manual: 9
Approved: 24-Jun-2013
Shutoffs: (zzz)

Manufacturer: Ames
Orientation: VUVU
0.25% Pb: No
Renewed:

Model: Colt 500ZGV
Meters: (N),H,I,J,K,L,M,N,O,P,Q
Spare Parts Only: No
Bypass: Watts 919QT 3/4" (H)

Type: RPDA
Size: 8
Manual: 9
Approved: 14-Jun-2013
Shutoffs: (zzz)

Manufacturer: Ames
Orientation: VUVU
0.25% Pb: No
Renewed:

Model: Colt 500ZGV
Meters: (N),H,I,J,K,L,M,N,O,P,Q
Spare Parts Only: No
Bypass: Watts 919QT 3/4" (H)

Type: RPDA
Size: 2 1/2
Manual: 9
Approved: 08-Jan-2014
Shutoffs: (zzz)

Manufacturer: Ames
Orientation: H
0.25% Pb: Yes
Renewed:

Model: LFColt 500-GV
Meters: (O)
Spare Parts Only: No
Bypass: Watts LF919QT 3/4" (H)

Notes: Lead free compliant version identified with NSF61 mark on meter

Type: RPDA **Manufacturer:** Ames **Model:** LFColt 500-GV
Size: 3 **Orientation:** H **Meters:** (O)
Manual: 9 **0.25% Pb:** Yes **Spare Parts Only:** No
Approved: 08-Jan-2014 **Renewed:** **Bypass:** Watts LF919QT 3/4" (H)
Shutoffs: (zzz)
Notes: Lead free compliant version identified with NSF61 mark on meter

Type: RPDA **Manufacturer:** Ames **Model:** LFColt 500-GV
Size: 4 **Orientation:** H **Meters:** (O)
Manual: 9 **0.25% Pb:** Yes **Spare Parts Only:** No
Approved: 08-Jan-2014 **Renewed:** **Bypass:** Watts LF919QT 3/4" (H)
Shutoffs: (zzz)
Notes: Lead free compliant version identified with NSF61 mark on meter

Type: RPDA **Manufacturer:** Ames **Model:** LFColt 500-GV
Size: 6 **Orientation:** H **Meters:** (O)
Manual: 9 **0.25% Pb:** Yes **Spare Parts Only:** No
Approved: 08-Jan-2014 **Renewed:** **Bypass:** Watts LF919QT 3/4" (H)
Shutoffs: (zzz)
Notes: Lead free compliant version identified with NSF61 mark on meter

Type: RPDA **Manufacturer:** Ames **Model:** LFColt 500GV
Size: 2 1/2 **Orientation:** H **Meters:** (O)
Manual: 9 **0.25% Pb:** Yes **Spare Parts Only:** No
Approved: 08-Jan-2014 **Renewed:** **Bypass:** Watts LF919QT 3/4" (H)
Shutoffs: (zzz)
Notes: Lead free compliant version identified with NSF61 mark on meter

Type: RPDA **Manufacturer:** Ames **Model:** LFColt 500GV
Size: 3 **Orientation:** H **Meters:** (O)
Manual: 9 **0.25% Pb:** Yes **Spare Parts Only:** No
Approved: 08-Jan-2014 **Renewed:** **Bypass:** Watts LF919QT 3/4" (H)
Shutoffs: (zzz)
Notes: Lead free compliant version identified with NSF61 mark on meter

Type: RPDA **Manufacturer:** Ames **Model:** LFColt 500GV
Size: 4 **Orientation:** H **Meters:** (O)
Manual: 9 **0.25% Pb:** Yes **Spare Parts Only:** No
Approved: 08-Jan-2014 **Renewed:** **Bypass:** Watts LF919QT 3/4" (H)
Shutoffs: (zzz)
Notes: Lead free compliant version identified with NSF61 mark on meter

Type: RPDA **Manufacturer:** Ames **Model:** LFColt 500GV
Size: 6 **Orientation:** H **Meters:** (O)
Manual: 9 **0.25% Pb:** Yes **Spare Parts Only:** No
Approved: 08-Jan-2014 **Renewed:** **Bypass:** Watts LF919QT 3/4" (H)
Shutoffs: (zzz)
Notes: Lead free compliant version identified with NSF61 mark on meter

Type: RPDA **Manufacturer:** Ames **Model:** LFColt 500GV
Size: 8 **Orientation:** H **Meters:** (M)
Manual: 9 **0.25% Pb:** Yes **Spare Parts Only:** No
Approved: 13-Aug-2015 **Renewed:** **Bypass:** Watts LF919QT 3/4" (H)
Shutoffs: (zzz)
Notes: Lead free compliant version identified with NSF61 mark on meter

Type: RPDA **Manufacturer:** Ames **Model:** LFColt 500GV
Size: 10 **Orientation:** H **Meters:** (M)
Manual: 9 **0.25% Pb:** Yes **Spare Parts Only:** No
Approved: 12-Oct-2015 **Renewed:** **Bypass:** Watts LF919QT 3/4" (H)
Shutoffs: (zzz)
Notes: Lead free compliant version identified with NSF61 mark on meter

Type: RPDA **Manufacturer:** Ames **Model:** LFColt 500NBF
Size: 2 1/2 **Orientation:** VUVD **Meters:** (O)
Manual: 9 **0.25% Pb:** Yes **Spare Parts Only:** No
Approved: 08-Jan-2014 **Renewed:** **Bypass:** Watts LF919QT 3/4" (H)
Shutoffs: (zzz)
Notes: Lead free compliant version identified with NSF61 mark on meter

Type: RPDA **Manufacturer:** Ames **Model:** LFColt 500NBF
Size: 3 **Orientation:** VUVD **Meters:** (O)
Manual: 9 **0.25% Pb:** Yes **Spare Parts Only:** No
Approved: 08-Jan-2014 **Renewed:** **Bypass:** Watts LF919QT 3/4" (H)
Shutoffs: (zzz)
Notes: Lead free compliant version identified with NSF61 mark on meter

Type: RPDA **Manufacturer:** Ames **Model:** LFColt 500NBF
Size: 4 **Orientation:** VUVD **Meters:** (O)
Manual: 9 **0.25% Pb:** Yes **Spare Parts Only:** No
Approved: 08-Jan-2014 **Renewed:** **Bypass:** Watts LF919QT 3/4" (H)
Shutoffs: (zzz)
Notes: Lead free compliant version identified with NSF61 mark on meter

Type: RPDA **Manufacturer:** Ames **Model:** LFColt 500NGV
Size: 2 1/2 **Orientation:** VUVD **Meters:** (O)
Manual: 9 **0.25% Pb:** Yes **Spare Parts Only:** No
Approved: 08-Jan-2014 **Renewed:** **Bypass:** Watts LF919QT 3/4" (H)
Shutoffs: (zzz)
Notes: Lead free compliant version identified with NSF61 mark on meter

Type: RPDA **Manufacturer:** Ames **Model:** LFColt 500NGV
Size: 3 **Orientation:** VUVD **Meters:** (O)
Manual: 9 **0.25% Pb:** Yes **Spare Parts Only:** No
Approved: 08-Jan-2014 **Renewed:** **Bypass:** Watts LF919QT 3/4" (H)
Shutoffs: (zzz)
Notes: Lead free compliant version identified with NSF61 mark on meter

Type: RPDA **Manufacturer:** Ames **Model:** LFColt 500NGV
Size: 4 **Orientation:** VUVD **Meters:** (O)
Manual: 9 **0.25% Pb:** Yes **Spare Parts Only:** No
Approved: 08-Jan-2014 **Renewed:** **Bypass:** Watts LF919QT 3/4" (H)
Shutoffs: (zzz)
Notes: Lead free compliant version identified with NSF61 mark on meter

Type: RPDA **Manufacturer:** Ames **Model:** LFColt 500ZBF
Size: 2 1/2 **Orientation:** VUVD **Meters:** (O)
Manual: 9 **0.25% Pb:** Yes **Spare Parts Only:** No
Approved: 08-Jan-2014 **Renewed:** **Bypass:** Watts LF919QT 3/4" (H)
Shutoffs: (zzz)
Notes: Lead free compliant version identified with NSF61 mark on meter

Type: RPDA **Manufacturer:** Ames **Model:** LFColt 500ZBF
Size: 3 **Orientation:** VUVD **Meters:** (O)
Manual: 9 **0.25% Pb:** Yes **Spare Parts Only:** No
Approved: 08-Jan-2014 **Renewed:** **Bypass:** Watts LF919QT 3/4" (H)
Shutoffs: (zzz)
Notes: Lead free compliant version identified with NSF61 mark on meter

Type: RPDA **Manufacturer:** Ames **Model:** LFColt 500ZBF
Size: 4 **Orientation:** VUVD **Meters:** (O)
Manual: 9 **0.25% Pb:** Yes **Spare Parts Only:** No
Approved: 08-Jan-2014 **Renewed:** **Bypass:** Watts LF919QT 3/4" (H)
Shutoffs: (zzz)
Notes: Lead free compliant version identified with NSF61 mark on meter

Type: RPDA **Manufacturer:** Ames **Model:** LFColt 500ZGV
Size: 2 1/2 **Orientation:** VUVD **Meters:** (O)
Manual: 9 **0.25% Pb:** Yes **Spare Parts Only:** No
Approved: 08-Jan-2014 **Renewed:** **Bypass:** Watts LF919QT 3/4" (H)
Shutoffs: (zzz)
Notes: Lead free compliant version identified with NSF61 mark on meter

Type: RPDA **Manufacturer:** Ames **Model:** LFColt 500ZGV
Size: 3 **Orientation:** VUVD **Meters:** (O)
Manual: 9 **0.25% Pb:** Yes **Spare Parts Only:** No
Approved: 08-Jan-2014 **Renewed:** **Bypass:** Watts LF919QT 3/4" (H)
Shutoffs: (zzz)
Notes: Lead free compliant version identified with NSF61 mark on meter

Type: RPDA **Manufacturer:** Ames **Model:** LFColt 500ZGV
Size: 4 **Orientation:** VUVD **Meters:** (O)
Manual: 9 **0.25% Pb:** Yes **Spare Parts Only:** No
Approved: 08-Jan-2014 **Renewed:** **Bypass:** Watts LF919QT 3/4" (H)
Shutoffs: (zzz)
Notes: Lead free compliant version identified with NSF61 mark on meter

Type: RPDA **Manufacturer:** Ames **Model:** LFMaxim 500GV
Size: 2 1/2 **Orientation:** H **Meters:** (O)
Manual: 9 **0.25% Pb:** Yes **Spare Parts Only:** No
Approved: 08-Jan-2014 **Renewed:** **Bypass:** Watts LF919QT 3/4" (H)
Shutoffs: (zzz)
Notes: Lead free compliant version identified with NSF61 mark on meter

Type: RPDA **Manufacturer:** Ames **Model:** LFMaxim 500GV
Size: 3 **Orientation:** H **Meters:** (O)
Manual: 9 **0.25% Pb:** Yes **Spare Parts Only:** No
Approved: 08-Jan-2014 **Renewed:** **Bypass:** Watts LF919QT 3/4" (H)
Shutoffs: (zzz)
Notes: Lead free compliant version identified with NSF61 mark on meter

Type: RPDA **Manufacturer:** Ames **Model:** LFMaxim 500GV
Size: 4 **Orientation:** H **Meters:** (O)
Manual: 9 **0.25% Pb:** Yes **Spare Parts Only:** No
Approved: 08-Jan-2014 **Renewed:** **Bypass:** Watts LF919QT 3/4" (H)
Shutoffs: (zzz)
Notes: Lead free compliant version identified with NSF61 mark on meter

Type: RPDA **Manufacturer:** Ames **Model:** LFMaxim 500GV
Size: 6 **Orientation:** H **Meters:** (M)
Manual: 9 **0.25% Pb:** Yes **Spare Parts Only:** No
Approved: 13-Aug-2015 **Renewed:** **Bypass:** Watts LF919QT 3/4" (H)
Shutoffs: (zzz)
Notes: Lead free compliant version identified with NSF61 mark on meter

Type: RPDA **Manufacturer:** Ames **Model:** LFMaxim 500GV
Size: 8 **Orientation:** H **Meters:** (M)
Manual: 9 **0.25% Pb:** Yes **Spare Parts Only:** No
Approved: 12-Oct-2015 **Renewed:** **Bypass:** Watts LF919QT 3/4" (H)
Shutoffs: (zzz)
Notes: Lead free compliant version identified with NSF61 mark on meter

Type: RPDA **Manufacturer:** Ames **Model:** LFMaxim 500GV
Size: 10 **Orientation:** H **Meters:** (M)
Manual: 9 **0.25% Pb:** Yes **Spare Parts Only:** No
Approved: 12-Oct-2015 **Renewed:** **Bypass:** Watts LF919QT 3/4" (H)
Shutoffs: (zzz)
Notes: Lead free compliant version identified with NSF61 mark on meter

Type: RPDA **Manufacturer:** Ames **Model:** LFMaxim 500NBF
Size: 2 1/2 **Orientation:** VUVD **Meters:** (O)
Manual: 9 **0.25% Pb:** Yes **Spare Parts Only:** No
Approved: 08-Jan-2014 **Renewed:** **Bypass:** Watts LF919QT 3/4" (H)
Shutoffs: (zzz)
Notes: Lead free compliant version identified with NSF61 mark on meter

Type: RPDA **Manufacturer:** Ames **Model:** LFMaxim 500NBF
Size: 3 **Orientation:** VUVD **Meters:** (O)
Manual: 9 **0.25% Pb:** Yes **Spare Parts Only:** No
Approved: 08-Jan-2014 **Renewed:** **Bypass:** Watts LF919QT 3/4" (H)
Shutoffs: (zzz)
Notes: Lead free compliant version identified with NSF61 mark on meter

Type: RPDA **Manufacturer:** Ames **Model:** LFMaxim 500NGV
Size: 2 1/2 **Orientation:** VUVD **Meters:** (O)
Manual: 9 **0.25% Pb:** Yes **Spare Parts Only:** No
Approved: 08-Jan-2014 **Renewed:** **Bypass:** Watts LF919QT 3/4" (H)
Shutoffs: (zzz)
Notes: Lead free compliant version identified with NSF61 mark on meter

Type: RPDA	Manufacturer: Ames	Model: LFMaxim 500NGV
Size: 3	Orientation: VUVD	Meters: (O)
Manual: 9	0.25% Pb: Yes	Spare Parts Only: No
Approved: 08-Jan-2014	Renewed:	Bypass: Watts LF919QT 3/4" (H)
Shutoffs: (zzz)		
Notes: Lead free compliant version identified with NSF61 mark on meter		

Type: RPDA	Manufacturer: Ames	Model: LFMaxim 500ZBF
Size: 2 1/2	Orientation: VUVD	Meters: (O)
Manual: 9	0.25% Pb: Yes	Spare Parts Only: No
Approved: 08-Jan-2014	Renewed:	Bypass: Watts LF919QT 3/4" (H)
Shutoffs: (zzz)		
Notes: Lead free compliant version identified with NSF61 mark on meter		

Type: RPDA	Manufacturer: Ames	Model: LFMaxim 500ZBF
Size: 3	Orientation: VUVD	Meters: (O)
Manual: 9	0.25% Pb: Yes	Spare Parts Only: No
Approved: 08-Jan-2014	Renewed:	Bypass: Watts LF919QT 3/4" (H)
Shutoffs: (zzz)		
Notes: Lead free compliant version identified with NSF61 mark on meter		

Type: RPDA	Manufacturer: Ames	Model: LFMaxim 500ZGV
Size: 2 1/2	Orientation: VUVD	Meters: (O)
Manual: 9	0.25% Pb: Yes	Spare Parts Only: No
Approved: 08-Jan-2014	Renewed:	Bypass: Watts LF919QT 3/4" (H)
Shutoffs: (zzz)		
Notes: Lead free compliant version identified with NSF61 mark on meter		

Type: RPDA	Manufacturer: Ames	Model: LFMaxim 500ZGV
Size: 3	Orientation: VUVD	Meters: (O)
Manual: 9	0.25% Pb: Yes	Spare Parts Only: No
Approved: 08-Jan-2014	Renewed:	Bypass: Watts LF919QT 3/4" (H)
Shutoffs: (zzz)		
Notes: Lead free compliant version identified with NSF61 mark on meter		

Type: RPDA	Manufacturer: Ames	Model: Maxim 500-GV
Size: 2 1/2	Orientation: H	Meters: (N),H,I,J,K,L,M,N,O,P,Q
Manual: 9	0.25% Pb: No	Spare Parts Only: No
Approved: 20-Jun-2006	Renewed: 20-Jun-2015	Bypass: Watts 919QT 3/4" (H)
Shutoffs: (zzz)		

Type: RPDA **Manufacturer:** Ames **Model:** Maxim 500-GV
Size: 3 **Orientation:** H **Meters:** (N),H,I,J,K,L,M,N,O,P,Q
Manual: 9 **0.25% Pb:** No **Spare Parts Only:** No
Approved: 20-Jun-2006 **Renewed:** 20-Jun-2015 **Bypass:** Watts 919QT 3/4" (H)
Shutoffs: (zzz)

Type: RPDA **Manufacturer:** Ames **Model:** Maxim 500-GV
Size: 4 **Orientation:** H **Meters:** (N),H,I,J,K,L,M,N,O,P,Q
Manual: 9 **0.25% Pb:** No **Spare Parts Only:** No
Approved: 20-Jun-2006 **Renewed:** 20-Jun-2015 **Bypass:** Watts 919QT 3/4" (H)
Shutoffs: (zzz)

Type: RPDA **Manufacturer:** Ames **Model:** Maxim 500-GV
Size: 6 **Orientation:** H **Meters:** (N),H,I,J,K,L,M,N,O,P,Q
Manual: 9 **0.25% Pb:** No **Spare Parts Only:** No
Approved: 15-Nov-2010 **Renewed:** 15-Nov-2013 **Bypass:** Watts 919QT 3/4" (H)
Shutoffs: (zzz)

Type: RPDA **Manufacturer:** Ames **Model:** Maxim 500-GV
Size: 8 **Orientation:** H **Meters:** (N),H,I,J,K,L,M,N,O,P,Q
Manual: 9 **0.25% Pb:** No **Spare Parts Only:** No
Approved: 27-Sep-2010 **Renewed:** 27-Sep-2013 **Bypass:** Watts 919QT 3/4" (H)
Shutoffs: (zzz)

Type: RPDA **Manufacturer:** Ames **Model:** Maxim 500-GV
Size: 10 **Orientation:** H **Meters:** (N),H,I,J,K,L,M,N,O,P,Q
Manual: 9 **0.25% Pb:** No **Spare Parts Only:** No
Approved: 27-Sep-2010 **Renewed:** 27-Sep-2013 **Bypass:** Watts 919QT 3/4" (H)
Shutoffs: (zzz)

Type: RPDA **Manufacturer:** Ames **Model:** Maxim 500NBF
Size: 2 1/2 **Orientation:** VUVD **Meters:** (N),H,I,J,K,L,M,N,O,P,Q
Manual: 9 **0.25% Pb:** No **Spare Parts Only:** No
Approved: 24-Jun-2013 **Renewed:** **Bypass:** Watts 919QT 3/4" (H)
Shutoffs: (yyy)

Type: RPDA **Manufacturer:** Ames **Model:** Maxim 500NBF
Size: 3 **Orientation:** VUVD **Meters:** (N),H,I,J,K,L,M,N,O,P,Q
Manual: 9 **0.25% Pb:** No **Spare Parts Only:** No
Approved: 07-Apr-2009 **Renewed:** 07-Apr-2015 **Bypass:** Watts 919QT 3/4" (H)
Shutoffs: (yyy)

Type: RPDA
Size: 4
Manual: 9
Approved: 15-Nov-2010
Shutoffs: (yyy)

Manufacturer: Ames
Orientation: VUVD
0.25% Pb: No
Renewed: 15-Nov-2013

Model: Maxim 500NBF
Meters: (N),H,I,J,K,L,M,N,O,P,Q
Spare Parts Only: No
Bypass: Watts 919QT 3/4" (H)

Type: RPDA
Size: 6
Manual: 9
Approved: 14-Jun-2013
Shutoffs: (yyy)

Manufacturer: Ames
Orientation: VUVD
0.25% Pb: No
Renewed:

Model: Maxim 500NBF
Meters: (N),H,I,J,K,L,M,N,O,P,Q
Spare Parts Only: No
Bypass: Watts 919QT 3/4" (H)

Type: RPDA
Size: 2 1/2
Manual: 9
Approved: 07-Apr-2009
Shutoffs: (zzz)

Manufacturer: Ames
Orientation: VUVD
0.25% Pb: No
Renewed: 07-Apr-2015

Model: Maxim 500NGV
Meters: (N),H,I,J,K,L,M,N,O,P,Q
Spare Parts Only: No
Bypass: Watts 919QT 3/4" (H)

Type: RPDA
Size: 3
Manual: 9
Approved: 07-Apr-2009
Shutoffs: (zzz)

Manufacturer: Ames
Orientation: VUVD
0.25% Pb: No
Renewed: 07-Apr-2015

Model: Maxim 500NGV
Meters: (N),H,I,J,K,L,M,N,O,P,Q
Spare Parts Only: No
Bypass: Watts 919QT 3/4" (H)

Type: RPDA
Size: 4
Manual: 9
Approved: 15-Nov-2010
Shutoffs: (zzz)

Manufacturer: Ames
Orientation: VUVD
0.25% Pb: No
Renewed: 15-Nov-2013

Model: Maxim 500NGV
Meters: (N),H,I,J,K,L,M,N,O,P,Q
Spare Parts Only: No
Bypass: Watts 919QT 3/4" (H)

Type: RPDA
Size: 6
Manual: 9
Approved: 14-Jun-2013
Shutoffs: (zzz)

Manufacturer: Ames
Orientation: VUVD
0.25% Pb: No
Renewed:

Model: Maxim 500NGV
Meters: (N),H,I,J,K,L,M,N,O,P,Q
Spare Parts Only: No
Bypass: Watts 919QT 3/4" (H)

Type: RPDA
Size: 2 1/2
Manual: 9
Approved: 24-Jun-2013
Shutoffs: (yyy)

Manufacturer: Ames
Orientation: VUVU
0.25% Pb: No
Renewed:

Model: Maxim 500ZBF
Meters: (N),H,I,J,K,L,M,N,O,P,Q
Spare Parts Only: No
Bypass: Watts 919QT 3/4" (H)

Type: RPDA
Size: 3
Manual: 9
Approved: 24-Jun-2013
Shutoffs: (yyy)

Manufacturer: Ames
Orientation: VUVU
0.25% Pb: No
Renewed:

Model: Maxim 500ZBF
Meters: (N),H,I,J,K,L,M,N,O,P,Q
Spare Parts Only: No
Bypass: Watts 919QT 3/4" (H)

Type: RPDA
Size: 6
Manual: 9
Approved: 14-Jun-2013
Shutoffs: (yyy)

Manufacturer: Ames
Orientation: VUVU
0.25% Pb: No
Renewed:

Model: Maxim 500ZBF
Meters: (N),H,I,J,K,L,M,N,O,P,Q
Spare Parts Only: No
Bypass: Watts 919QT 3/4" (H)

Type: RPDA
Size: 2 1/2
Manual: 9
Approved: 24-Jun-2013
Shutoffs: (zzz)

Manufacturer: Ames
Orientation: VUVU
0.25% Pb: No
Renewed:

Model: Maxim 500ZGV
Meters: (N),H,I,J,K,L,M,N,O,P,Q
Spare Parts Only: No
Bypass: Watts 919QT 3/4" (H)

Type: RPDA
Size: 3
Manual: 9
Approved: 24-Jun-2013
Shutoffs: (zzz)

Manufacturer: Ames
Orientation: VUVU
0.25% Pb: No
Renewed:

Model: Maxim 500ZGV
Meters: (N),H,I,J,K,L,M,N,O,P,Q
Spare Parts Only: No
Bypass: Watts 919QT 3/4" (H)

Type: RPDA
Size: 6
Manual: 9
Approved: 14-Jun-2013
Shutoffs: (zzz)

Manufacturer: Ames
Orientation: VUVU
0.25% Pb: No
Renewed:

Model: Maxim 500ZGV
Meters: (N),H,I,J,K,L,M,N,O,P,Q
Spare Parts Only: No
Bypass: Watts 919QT 3/4" (H)

Type: RPDA
Size: 3
Manual:
Approved:

Manufacturer: Apollo/Conbraco
Orientation:
0.25% Pb: No
Renewed:

Model: 4070003
Meters:
Spare Parts Only: No
Bypass:

Notes: model designation changed to RPDA40

Type: RPDA
Size: 3
Manual:
Approved:

Manufacturer: Apollo/Conbraco
Orientation:
0.25% Pb: No
Renewed:

Model: 40700C3
Meters:
Spare Parts Only: No
Bypass:

Notes: model designation changed to RPDA40

Type: RPDA **Manufacturer:** Apollo/Conbraco **Model:** 40700E3
Size: 3 **Orientation:** **Meters:**
Manual: **0.25% Pb:** No **Spare Parts Only:** No
Approved: **Renewed:** **Bypass:**
Notes: model designation changed to RPDA40

Type: RPDA **Manufacturer:** Apollo/Conbraco **Model:** 4070A03
Size: 4 **Orientation:** **Meters:**
Manual: **0.25% Pb:** No **Spare Parts Only:** No
Approved: **Renewed:** **Bypass:**
Notes: model designation changed to RPDA40

Type: RPDA **Manufacturer:** Apollo/Conbraco **Model:** 4070AE3
Size: 4 **Orientation:** **Meters:**
Manual: **0.25% Pb:** No **Spare Parts Only:** No
Approved: **Renewed:** **Bypass:**
Notes: model designation changed to RPDA40

Type: RPDA **Manufacturer:** Apollo/Conbraco **Model:** 4070C03
Size: 6 **Orientation:** **Meters:**
Manual: **0.25% Pb:** No **Spare Parts Only:** No
Approved: **Renewed:** **Bypass:**
Notes: model designation changed to RPDA40

Type: RPDA **Manufacturer:** Apollo/Conbraco **Model:** 4070CC3
Size: 6 **Orientation:** **Meters:**
Manual: **0.25% Pb:** No **Spare Parts Only:** No
Approved: **Renewed:** **Bypass:**
Notes: model designation changed to RPDA40

Type: RPDA **Manufacturer:** Apollo/Conbraco **Model:** 4070CE3
Size: 6 **Orientation:** **Meters:**
Manual: **0.25% Pb:** No **Spare Parts Only:** No
Approved: **Renewed:** **Bypass:**
Notes: model designation changed to RPDA40

Type: RPDA **Manufacturer:** Apollo/Conbraco **Model:** 4070E03
Size: 8 **Orientation:** **Meters:**
Manual: **0.25% Pb:** No **Spare Parts Only:** No
Approved: **Renewed:** **Bypass:**
Notes: model designation changed to RPDA40

Type: RPDA **Manufacturer:** Apollo/Conbraco **Model:** 4070EC3
Size: 8 **Orientation:** **Meters:**
Manual: **0.25% Pb:** No **Spare Parts Only:** No
Approved: **Renewed:** **Bypass:**
Notes: model designation changed to RPDA40

Type: RPDA **Manufacturer:** Apollo/Conbraco **Model:** 4070EE3
Size: 8 **Orientation:** **Meters:**
Manual: **0.25% Pb:** No **Spare Parts Only:** No
Approved: **Renewed:** **Bypass:**
Notes: model designation changed to RPDA40

Type: RPDA **Manufacturer:** Apollo/Conbraco **Model:** 4070G03
Size: 10 **Orientation:** **Meters:**
Manual: **0.25% Pb:** No **Spare Parts Only:** No
Approved: **Renewed:** **Bypass:**
Notes: model designation changed to RPDA40

Type: RPDA **Manufacturer:** Apollo/Conbraco **Model:** 4070GC3
Size: 10 **Orientation:** **Meters:**
Manual: **0.25% Pb:** No **Spare Parts Only:** No
Approved: **Renewed:** **Bypass:**
Notes: model designation changed to RPDA40

Type: RPDA **Manufacturer:** Apollo/Conbraco **Model:** 4070GE3
Size: 10 **Orientation:** **Meters:**
Manual: **0.25% Pb:** No **Spare Parts Only:** No
Approved: **Renewed:** **Bypass:**
Notes: model designation changed to RPDA40

Type: RPDA **Manufacturer:** Apollo/Conbraco **Model:** 407AC3
Size: 4 **Orientation:** **Meters:**
Manual: **0.25% Pb:** No **Spare Parts Only:** No
Approved: **Renewed:** **Bypass:**
Notes: model designation changed to RPDA40

Type: RPDA **Manufacturer:** Apollo/Conbraco **Model:** RPDA40
Size: 10 **Orientation:** H **Meters:**
(M),A,B,C,D,E,F,G,H,I,J,K,L,N,O,P,Q
Manual: 8 **0.25% Pb:** No **Spare Parts Only:** No
Approved: 13-Apr-1993 **Renewed:** 13-Apr-2014 **Bypass:** Apollo/Conbraco 4020402 3/4"
(H), Apollo/Conbraco RP40 3/4" (H)
Shutoffs: (uu),cc,mm
Notes: formerly 4070G03, 4070GC3, 4070GE3

Type: RPDA **Manufacturer:** Apollo/Conbraco **Model:** RPDALF4A
Size: 2 1/2 **Orientation:** H **Meters:** (P),O
Manual: 10 **0.25% Pb:** Yes **Spare Parts Only:** No
Approved: 10-Jun-2014 **Renewed:** **Bypass:** Apollo RPLF4A 1/2" (H)
Shutoffs: (yyy), cccc, dddd, mmmm, nnnn

Type: RPDA **Manufacturer:** Apollo/Conbraco **Model:** RPDALF4A
Size: 3 **Orientation:** H **Meters:** (P),O
Manual: 10 **0.25% Pb:** Yes **Spare Parts Only:** No
Approved: 10-Jun-2014 **Renewed:** **Bypass:** Apollo RPLF4A 1/2" (H)
Shutoffs: (yyy), cccc, dddd, mmmm, nnnn

Type: RPDA **Manufacturer:** Apollo/Conbraco **Model:** RPDALF4A
Size: 4 **Orientation:** H **Meters:** (P),G,H,I,J,K,L,M,N,O,Q
Manual: 10 **0.25% Pb:** Yes **Spare Parts Only:** No
Approved: 24-Jun-2013 **Renewed:** **Bypass:** Apollo RPLF4A 1/2" (H)
Shutoffs: (yyy), cccc, dddd, mmmm, nnnn

Type: RPDA **Manufacturer:** Apollo/Conbraco **Model:** RPDALF4A
Size: 6 **Orientation:** H **Meters:** (P),G,H,I,J,K,L,M,N,O,Q
Manual: 10 **0.25% Pb:** Yes **Spare Parts Only:** No
Approved: 24-Jun-2013 **Renewed:** **Bypass:** Apollo RPLF4A 1/2" (H)
Shutoffs: (yyy), cccc, dddd, mmmm, nnnn

Type: RPDA **Manufacturer:** Apollo/Conbraco **Model:** RPDALF4AN
Size: 4 **Orientation:** VUVD **Meters:** (P),G,H,I,J,K,L,M,N,O,Q
Manual: 10 **0.25% Pb:** Yes **Spare Parts Only:** No
Approved: 10-Jun-2014 **Renewed:** **Bypass:** Apollo RPLF4A 1/2" (H)
Shutoffs: (yyy), cccc, dddd, mmmm, nnnn

Type: RPDA **Manufacturer:** Apollo/Conbraco **Model:** RPDALF4AN
Size: 4 **Orientation:** VUVU **Meters:** (P),G,H,I,J,K,L,M,N,O,Q
Manual: 10 **0.25% Pb:** Yes **Spare Parts Only:** No
Approved: 11-Jun-2014 **Renewed:** **Bypass:** Apollo RPLF4A 1/2" (H)
Shutoffs: (yyy), cccc, dddd, mmmm, nnnn

Type: RPDA **Manufacturer:** Apollo/Conbraco **Model:** RPDALF4AN
Size: 6 **Orientation:** VUVD **Meters:** (M),G,H,I,J,K,L, N,O,P,Q
Manual: 10 **0.25% Pb:** Yes **Spare Parts Only:** No
Approved: 12-May-2015 **Renewed:** **Bypass:** Apollo RPLF4A 1/2" (H)
Shutoffs: (yyy), cccc, dddd, mmmm, nnnn

Type: RPDA **Manufacturer:** Apollo/Conbraco **Model:** RPDALF4AN
Size: 6 **Orientation:** VUVU **Meters:** (M),G,H,I,J,K,L, N,O,P,Q
Manual: 10 **0.25% Pb:** Yes **Spare Parts Only:** No
Approved: 12-May-2015 **Renewed:** **Bypass:** Apollo RPLF4A 1/2" (H)
Shutoffs: (yyy), cccc, dddd, mmmm, nnnn

Type: RPDA **Manufacturer:** Cla-Val **Model:** 18-4
Size: 10 **Orientation:** H **Meters:**
(H),A,B,C,D,E,F,G,I,J,K,L,M,N,O,P,Q
Manual: 8 **0.25% Pb:** No **Spare Parts Only:** Yes
Approved: 23-Aug-1990 **Renewed:** 23-Aug-2014 **Bypass:** Cla-Val RP2 3/4 (H)
Shutoffs: hh,gg,qq,rr

Type: RPDA **Manufacturer:** Conbraco **Model:**
Size: **Orientation:** **Meters:**
Manual: **0.25% Pb:** No **Spare Parts Only:** No
Approved: **Renewed:** **Bypass:**
Notes: See Apollo/Conbraco

Type: RPDA **Manufacturer:** Febco **Model:** 826 Type YD
Size: 2 1/2 **Orientation:** **Meters:**
Manual: **0.25% Pb:** No **Spare Parts Only:** No
Approved: **Renewed:** **Bypass:**
Notes: model designation changed to 826YD

Type: RPDA
Size: 3
Manual:
Approved:
Notes: model designation changed to 826YD

Manufacturer: Febco
Orientation:
0.25% Pb: No
Renewed:

Model: 826 Type YD
Meters:
Spare Parts Only: No
Bypass:

Type: RPDA
Size: 4
Manual:
Approved:
Notes: model designation changed to 826YD

Manufacturer: Febco
Orientation:
0.25% Pb: No
Renewed:

Model: 826 Type YD
Meters:
Spare Parts Only: No
Bypass:

Type: RPDA
Size: 6
Manual:
Approved:
Notes: model designation changed to 826YD

Manufacturer: Febco
Orientation:
0.25% Pb: No
Renewed:

Model: 826 Type YD
Meters:
Spare Parts Only: No
Bypass:

Type: RPDA
Size: 8
Manual:
Approved:
Notes: model designation changed to 826YD

Manufacturer: Febco
Orientation:
0.25% Pb: No
Renewed:

Model: 826 Type YD
Meters:
Spare Parts Only: No
Bypass:

Type: RPDA
Size: 10
Manual:
Approved:
Notes: model designation changed to 826YD

Manufacturer: Febco
Orientation:
0.25% Pb: No
Renewed:

Model: 826 Type YD
Meters:
Spare Parts Only: No
Bypass:

Type: RPDA
Size: 2 1/2
Manual: 8
Approved: 11-Nov-1988
Shutoffs: (ff),mm,oo,pp,uu,zzz,ffff,gggg
Notes: formerly 826 Type YD

Manufacturer: Febco
Orientation: H
0.25% Pb: No
Renewed: 11-Nov-2012

Model: 826YD
Meters: (M),
B,C,D,E,F,G,H,I,J,K,L,N,O,P,Q
Spare Parts Only: No
Bypass: Febco 825Y 3/4 (H)

Type: RPDA **Manufacturer:** Febco **Model:** 826YD
Size: 3 **Orientation:** H **Meters:** (M),
B,C,D,E,F,G,H,I,J,K,L,N,O,P,Q
Manual: 8 **0.25% Pb:** No **Spare Parts Only:** No
Approved: 11-Nov-1988 **Renewed:** 11-Nov-2012 **Bypass:** Febco 825Y 3/4 (H)
Shutoffs: (ff),mm,oo,pp,uu,zzz,ffff,gggg
Notes: formerly 826 Type YD

Type: RPDA **Manufacturer:** Febco **Model:** 826YD
Size: 4 **Orientation:** H **Meters:** (M),
B,C,D,E,F,G,H,I,J,K,L,N,O,P,Q
Manual: 8 **0.25% Pb:** No **Spare Parts Only:** No
Approved: 14-Oct-1988 **Renewed:** 14-Oct-2012 **Bypass:** Febco 825Y 3/4 (H)
Shutoffs: (ff),mm,oo,pp,uu,zzz,ffff,gggg
Notes: formerly 826 Type YD

Type: RPDA **Manufacturer:** Febco **Model:** 826YD
Size: 6 **Orientation:** H **Meters:** (M),
B,C,D,E,F,G,H,I,J,K,L,N,O,P,Q
Manual: 8 **0.25% Pb:** No **Spare Parts Only:** No
Approved: 01-Mar-1990 **Renewed:** 01-Mar-2014 **Bypass:** Febco 825Y 3/4 (H)
Shutoffs: (ff),mm,oo,pp,uu,zzz,ffff,gggg
Notes: formerly 826 Type YD

Type: RPDA **Manufacturer:** Febco **Model:** 826YD
Size: 8 **Orientation:** H **Meters:** (M),
B,C,D,E,F,G,H,I,J,K,L,N,O,P,Q
Manual: 8 **0.25% Pb:** No **Spare Parts Only:** No
Approved: 22-Jun-1990 **Renewed:** 22-Jun-2014 **Bypass:** Febco 825Y 3/4 (H)
Shutoffs: (ff),mm,oo,pp,uu,zzz,ffff,gggg
Notes: formerly 826 Type YD

Type: RPDA **Manufacturer:** Febco **Model:** 826YD
Size: 10 **Orientation:** H **Meters:** (M),
B,C,D,E,F,G,H,I,J,K,L,N,O,P,Q
Manual: 8 **0.25% Pb:** No **Spare Parts Only:** No
Approved: 22-Jun-1990 **Renewed:** 22-Jun-2014 **Bypass:** Febco 825Y 3/4 (H)
Shutoffs: (ff),mm,oo,pp,uu,zzz,ffff,gggg
Notes: formerly 826 Type YD

Type: RPDA	Manufacturer: Neptune	Model:
Size:	Orientation:	Meters:
Manual:	0.25% Pb: No	Spare Parts Only: No
Approved:	Renewed:	Bypass:
Notes: See Wilkins		
Type: RPDA	Manufacturer: Watts	Model: 009NRSRPDA
Size: 4	Orientation: H	Meters: (H),D,E,F,G,I,J,K,L,M,N,O,P,Q
Manual: 8	0.25% Pb: No	Spare Parts Only: Yes
Approved: 01-Feb-1995	Renewed: 01-Feb-2013	Bypass: Watts 009M2QT 3/4 (H)
Shutoffs: oo,gg,ll,tt		
Type: RPDA	Manufacturer: Watts	Model: 009NRSRPDA
Size: 6	Orientation: H	Meters: (H),D,E,F,G,I,J,K,L,M,N,O,P,Q
Manual: 8	0.25% Pb: No	Spare Parts Only: Yes
Approved: 01-Feb-1995	Renewed: 01-Feb-2013	Bypass: Watts 009M2QT 3/4 (H)
Shutoffs: oo,gg,ll,tt		
Type: RPDA	Manufacturer: Watts	Model: 009OSYRPDA
Size: 4	Orientation: H	Meters: (H),D,E,F,G,I,J,K,L,M,N,O,P,Q
Manual: 8	0.25% Pb: No	Spare Parts Only: Yes
Approved: 01-Feb-1995	Renewed: 01-Feb-2013	Bypass: Watts 009M2QT 3/4 (H)
Shutoffs: pp,hh,mm,uu,zz		
Type: RPDA	Manufacturer: Watts	Model: 009OSYRPDA
Size: 6	Orientation: H	Meters: (H),D,E,F,G,I,J,K,L,M,N,O,P,Q
Manual: 8	0.25% Pb: No	Spare Parts Only: Yes
Approved: 01-Feb-1995	Renewed: 01-Feb-2013	Bypass: Watts 009M2QT 3/4 (H)
Shutoffs: pp,hh,mm,uu,zz		
Type: RPDA	Manufacturer: Watts	Model: 909DDC
Size: 6	Orientation:	Meters:
Manual:	0.25% Pb: No	Spare Parts Only: No
Approved:	Renewed:	Bypass:
Notes: model designation changed to 909RPDA		
Type: RPDA	Manufacturer: Watts	Model: 909DDCM2
Size: 3	Orientation:	Meters:
Manual:	0.25% Pb: No	Spare Parts Only: No
Approved:	Renewed:	Bypass:
Notes: model designation changed to 909RPDA		

Type: RPDA **Manufacturer:** Watts **Model:** 909RPDA
Size: 2 1/2 **Orientation:** H **Meters:**
(H),C,D,E,F,G,H,I,J,K,L,M,O,P,Q
Manual: 8 **0.25% Pb:** No **Spare Parts Only:** No
Approved: 16-Jun-1999 **Renewed:** 16-Jun-2014 **Bypass:** Watts 909QT 3/4 (H)
Shutoffs: (pp),hh,mm,uu,zz,ffff,gggg

Type: RPDA **Manufacturer:** Watts **Model:** 909RPDA
Size: 3 **Orientation:** H **Meters:**
(N),B,C,D,E,F,G,H,I,J,K,L,M,O,P,Q
Manual: 8 **0.25% Pb:** No **Spare Parts Only:** No
Approved: 05-Oct-1988 **Renewed:** 05-Oct-2015 **Bypass:** Watts 909QT 3/4 (H)
Shutoffs: (pp),hh,mm,uu,zz,eee,ffff,gggg
Notes: formerly 909DDCM2

Type: RPDA **Manufacturer:** Watts **Model:** 909RPDA
Size: 4 **Orientation:** H **Meters:**
(N),B,C,D,E,F,G,H,I,J,K,L,M,O,P,Q
Manual: 8 **0.25% Pb:** No **Spare Parts Only:** No
Approved: 09-Feb-1988 **Renewed:** 01-Feb-2015 **Bypass:** Watts 909QT 3/4 (H)
Shutoffs: (pp),hh,mm,uu,zz,eee,ffff,gggg

Type: RPDA **Manufacturer:** Watts **Model:** 909RPDA
Size: 6 **Orientation:** H **Meters:**
(N),B,C,D,E,F,G,H,I,J,K,L,M,O,P,Q
Manual: 8 **0.25% Pb:** No **Spare Parts Only:** No
Approved: 05-Oct-1988 **Renewed:** 05-Oct-2015 **Bypass:** Watts 909QT 3/4 (H)
Shutoffs: (pp),hh,mm,uu,zz,eee,ffff,gggg
Notes: formerly 909DDC

Type: RPDA **Manufacturer:** Watts **Model:** 909RPDA
Size: 8 **Orientation:** H **Meters:**
(N),B,C,D,E,F,G,H,I,J,K,L,M,O,P,Q
Manual: 8 **0.25% Pb:** No **Spare Parts Only:** No
Approved: 14-Feb-1988 **Renewed:** 14-Feb-2015 **Bypass:** Watts 909QT 3/4 (H)
Shutoffs: (pp),hh,mm,uu,zz,eee,ffff,gggg

Type: RPDA	Manufacturer: Watts	Model: 909RPDA
Size: 10	Orientation: H	Meters: (N),B,C,D,E,F,G,H,I,J,K,L,M,O,P,Q
Manual: 8	0.25% Pb: No	Spare Parts Only: No
Approved: 15-Feb-1988	Renewed: 15-Feb-2015	Bypass: Watts 909QT 3/4 (H)
Shutoffs: (pp),hh,mm,uu,zz,eee,fff,ggg		

Type: RPDA	Manufacturer: Watts	Model: 957NRPDA-BF
Size: 2 1/2	Orientation: VUVD	Meters: (N),H,I,J,K,L,M,N,O,P,Q
Manual: 9	0.25% Pb: No	Spare Parts Only: No
Approved: 24-Jun-2013	Renewed:	Bypass: Watts 919QT 3/4" (H)
Shutoffs: (yyy)		

Type: RPDA	Manufacturer: Watts	Model: 957NRPDA-BF
Size: 3	Orientation: VUVD	Meters: (N),H,I,J,K,L,M,N,O,P,Q
Manual: 9	0.25% Pb: No	Spare Parts Only: No
Approved: 07-Apr-2009	Renewed: 07-Apr-2015	Bypass: Watts 919QT 3/4" (H)
Shutoffs: (yyy)		

Type: RPDA	Manufacturer: Watts	Model: 957NRPDA-BF
Size: 4	Orientation: VUVD	Meters: (N),H,I,J,K,L,M,N,O,P,Q
Manual: 9	0.25% Pb: No	Spare Parts Only: No
Approved: 07-Apr-2009	Renewed: 07-Apr-2015	Bypass: Watts 919QT 3/4" (H)
Shutoffs: (yyy)		

Type: RPDA	Manufacturer: Watts	Model: 957NRPDA-BF
Size: 8	Orientation: VUVD	Meters: (N),H,I,J,K,L,M,N,O,P,Q
Manual: 9	0.25% Pb: No	Spare Parts Only: No
Approved: 14-Jun-2013	Renewed:	Bypass: Watts 919QT 3/4" (H)
Shutoffs: (yyy)		

Type: RPDA	Manufacturer: Watts	Model: 957NRPDA-GV
Size: 2 1/2	Orientation: VUVD	Meters: (N),H,I,J,K,L,M,N,O,P,Q
Manual: 9	0.25% Pb: No	Spare Parts Only: No
Approved: 07-Apr-2009	Renewed: 07-Apr-2015	Bypass: Watts 919QT 3/4" (H)
Shutoffs: (zzz)		

Type: RPDA Size: 3 Manual: 9 Approved: 07-Apr-2009 Shutoffs: (zzz)	Manufacturer: Watts Orientation: VUVD 0.25% Pb: No Renewed: 07-Apr-2015	Model: 957NRPDA-GV Meters: (N),H,I,J,K,L,M,N,O,P,Q Spare Parts Only: No Bypass: Watts 919QT 3/4" (H)
Type: RPDA Size: 4 Manual: 9 Approved: 07-Apr-2009 Shutoffs: (zzz)	Manufacturer: Watts Orientation: VUVD 0.25% Pb: No Renewed: 07-Apr-2015	Model: 957NRPDA-GV Meters: (N),H,I,J,K,L,M,N,O,P,Q Spare Parts Only: No Bypass: Watts 919QT 3/4" (H)
Type: RPDA Size: 6 Manual: 9 Approved: 15-Nov-2010 Shutoffs: (zzz)	Manufacturer: Watts Orientation: VUVD 0.25% Pb: No Renewed: 15-Nov-2013	Model: 957NRPDA-GV Meters: (N),H,I,J,K,L,M,N,O,P,Q Spare Parts Only: No Bypass: Watts 919QT 3/4" (H)
Type: RPDA Size: 8 Manual: 9 Approved: 14-Jun-2013 Shutoffs: (zzz)	Manufacturer: Watts Orientation: VUVD 0.25% Pb: No Renewed:	Model: 957NRPDA-GV Meters: (N),H,I,J,K,L,M,N,O,P,Q Spare Parts Only: No Bypass: Watts 919QT 3/4" (H)
Type: RPDA Size: 2 1/2 Manual: 9 Approved: 20-Jun-2006 Shutoffs: (zzz)	Manufacturer: Watts Orientation: H 0.25% Pb: No Renewed: 20-Jun-2015	Model: 957RPDA-GV Meters: (N), H, I J, K L, M, N, O, P, Q Spare Parts Only: No Bypass: Watts 919QT 3/4" (H)
Type: RPDA Size: 3 Manual: 9 Approved: 20-Jun-2006 Shutoffs: (zzz)	Manufacturer: Watts Orientation: H 0.25% Pb: No Renewed: 20-Jun-2015	Model: 957RPDA-GV Meters: (N), H, I J, K L, M, N, O, P, Q Spare Parts Only: No Bypass: Watts 919QT 3/4" (H)
Type: RPDA Size: 4 Manual: 9 Approved: 20-Jun-2006 Shutoffs: (zzz)	Manufacturer: Watts Orientation: H 0.25% Pb: No Renewed: 20-Jun-2015	Model: 957RPDA-GV Meters: (N), H, I J, K L, M, N, O, P, Q Spare Parts Only: No Bypass: Watts 919QT 3/4" (H)

Type: RPDA	Manufacturer: Watts	Model: 957RPDA-GV
Size: 6	Orientation: H	Meters: (N), H, I J, K L, M, N, O, P, Q
Manual: 9	0.25% Pb: No	Spare Parts Only: No
Approved: 20-Jun-2006	Renewed: 20-Jun-2015	Bypass: Watts 919QT 3/4" (H)
Shutoffs: (zzz)		

Type: RPDA	Manufacturer: Watts	Model: 957RPDA-GV
Size: 8	Orientation: H	Meters: (N),H,I,J,K,L,M,N,O,P,Q
Manual: 9	0.25% Pb: No	Spare Parts Only: No
Approved: 15-Nov-2010	Renewed: 15-Nov-2013	Bypass: Watts 919QT 3/4" (H)
Shutoffs: (zzz)		

Type: RPDA	Manufacturer: Watts	Model: 957RPDA-GV
Size: 10	Orientation: H	Meters: (N), H, I J, K L, M, N, O, P, Q
Manual: 9	0.25% Pb: No	Spare Parts Only: No
Approved: 27-Sep-2010	Renewed: 27-Sep-2013	Bypass: Watts 919QT 3/4" (H)
Shutoffs: (zzz)		

Type: RPDA	Manufacturer: Watts	Model: 957ZRPDA-BF
Size: 2 1/2	Orientation: VUVU	Meters: (N),H,I,J,K,L,M,N,O,P,Q
Manual: 9	0.25% Pb: No	Spare Parts Only: No
Approved: 24-Jun-2013	Renewed:	Bypass: Watts 919QT 3/4" (H)
Shutoffs: (yyy)		

Type: RPDA	Manufacturer: Watts	Model: 957ZRPDA-BF
Size: 3	Orientation: VUVU	Meters: (N),H,I,J,K,L,M,N,O,P,Q
Manual: 9	0.25% Pb: No	Spare Parts Only: No
Approved: 24-Jun-2013	Renewed:	Bypass: Watts 919QT 3/4" (H)
Shutoffs: (yyy)		

Type: RPDA	Manufacturer: Watts	Model: 957ZRPDA-BF
Size: 4	Orientation: VUVU	Meters: (N),H,I,J,K,L,M,N,O,P,Q
Manual: 9	0.25% Pb: No	Spare Parts Only: No
Approved: 24-Jun-2013	Renewed:	Bypass: Watts 919QT 3/4" (H)
Shutoffs: (yyy)		

Type: RPDA	Manufacturer: Watts	Model: 957ZRPDA-BF
Size: 8	Orientation: VUVU	Meters: (N),H,I,J,K,L,M,N,O,P,Q
Manual: 9	0.25% Pb: No	Spare Parts Only: No
Approved: 14-Jun-2013	Renewed:	Bypass: Watts 919QT 3/4" (H)
Shutoffs: (yyy)		

Type: RPDA **Manufacturer:** Watts **Model:** 957ZRPDA-GV
Size: 2 1/2 **Orientation:** VUVU **Meters:** (N),H,I,J,K,L,M,N,O,P,Q
Manual: 9 **0.25% Pb:** No **Spare Parts Only:** No
Approved: 24-Jun-2013 **Renewed:** **Bypass:** Watts 919QT 3/4" (H)
Shutoffs: (zzz)

Type: RPDA **Manufacturer:** Watts **Model:** 957ZRPDA-GV
Size: 3 **Orientation:** VUVU **Meters:** (N),H,I,J,K,L,M,N,O,P,Q
Manual: 9 **0.25% Pb:** No **Spare Parts Only:** No
Approved: 24-Jun-2013 **Renewed:** **Bypass:** Watts 919QT 3/4" (H)
Shutoffs: (zzz)

Type: RPDA **Manufacturer:** Watts **Model:** 957ZRPDA-GV
Size: 4 **Orientation:** VUVU **Meters:** (N),H,I,J,K,L,M,N,O,P,Q
Manual: 9 **0.25% Pb:** No **Spare Parts Only:** No
Approved: 24-Jun-2013 **Renewed:** **Bypass:** Watts 919QT 3/4" (H)
Shutoffs: (zzz)

Type: RPDA **Manufacturer:** Watts **Model:** 957ZRPDA-GV
Size: 8 **Orientation:** VUVU **Meters:** (N),H,I,J,K,L,M,N,O,P,Q
Manual: 9 **0.25% Pb:** No **Spare Parts Only:** No
Approved: 14-Jun-2013 **Renewed:** **Bypass:** Watts 919QT 3/4" (H)
Shutoffs: (zzz)

Type: RPDA **Manufacturer:** Watts **Model:** 967NRPDA-BF
Size: 2 1/2 **Orientation:** VUVD **Meters:** (N),H,I,J,K,L,M,N,O,P,Q
Manual: 9 **0.25% Pb:** No **Spare Parts Only:** No
Approved: 24-Jun-2013 **Renewed:** **Bypass:** Watts 919QT 3/4" (H)
Shutoffs: (yyy)

Type: RPDA **Manufacturer:** Watts **Model:** 967NRPDA-BF
Size: 3 **Orientation:** VUVD **Meters:** (N),H,I,J,K,L,M,N,O,P,Q
Manual: 9 **0.25% Pb:** No **Spare Parts Only:** No
Approved: 07-Apr-2009 **Renewed:** 07-Apr-2015 **Bypass:** Watts 919QT 3/4" (H)
Shutoffs: (yyy)

Type: RPDA **Manufacturer:** Watts **Model:** 967NRPDA-BF
Size: 4 **Orientation:** VUVD **Meters:** (N),H,I,J,K,L,M,N,O,P,Q
Manual: 9 **0.25% Pb:** No **Spare Parts Only:** No
Approved: 15-Nov-2010 **Renewed:** 15-Nov-2013 **Bypass:** Watts 919QT 3/4" (H)
Shutoffs: (yyy)

Type: RPDA
Size: 6
Manual: 9
Approved: 14-Jun-2013
Shutoffs: (yyy)

Manufacturer: Watts
Orientation: VUVD
0.25% Pb: No
Renewed:

Model: 967NRPDA-BF
Meters: (N),H,I,J,K,L,M,N,O,P,Q
Spare Parts Only: No
Bypass: Watts 919QT 3/4" (H)

Type: RPDA
Size: 2 1/2
Manual: 9
Approved: 07-Apr-2009
Shutoffs: (zzz)

Manufacturer: Watts
Orientation: VUVD
0.25% Pb: No
Renewed: 07-Apr-2015

Model: 967NRPDA-GV
Meters: (N),H,I,J,K,L,M,N,O,P,Q
Spare Parts Only: No
Bypass: Watts 919QT 3/4" (H)

Type: RPDA
Size: 3
Manual: 9
Approved: 07-Apr-2009
Shutoffs: (zzz)

Manufacturer: Watts
Orientation: VUVD
0.25% Pb: No
Renewed: 07-Apr-2015

Model: 967NRPDA-GV
Meters: (N),H,I,J,K,L,M,N,O,P,Q
Spare Parts Only: No
Bypass: Watts 919QT 3/4" (H)

Type: RPDA
Size: 4
Manual: 9
Approved: 15-Nov-2010
Shutoffs: (zzz)

Manufacturer: Watts
Orientation: VUVD
0.25% Pb: No
Renewed: 15-Nov-2013

Model: 967NRPDA-GV
Meters: (N),H,I,J,K,L,M,N,O,P,Q
Spare Parts Only: No
Bypass: Watts 919QT 3/4" (H)

Type: RPDA
Size: 6
Manual: 9
Approved: 14-Jun-2013
Shutoffs: (zzz)

Manufacturer: Watts
Orientation: VUVD
0.25% Pb: No
Renewed:

Model: 967NRPDA-GV
Meters: (N),H,I,J,K,L,M,N,O,P,Q
Spare Parts Only: No
Bypass: Watts 919QT 3/4" (H)

Type: RPDA
Size: 2 1/2
Manual: 9
Approved: 20-Jun-2006
Shutoffs: (zzz)

Manufacturer: Watts
Orientation: H
0.25% Pb: No
Renewed: 20-Jun-2015

Model: 967RPDA-GV
Meters: (N), H, I J, K L, M, N, O, P, Q
Spare Parts Only: No
Bypass: Watts 919QT 3/4" (H)

Type: RPDA
Size: 3
Manual: 9
Approved: 20-Jun-2006
Shutoffs: (zzz)

Manufacturer: Watts
Orientation: H
0.25% Pb: No
Renewed: 20-Jun-2015

Model: 967RPDA-GV
Meters: (N), H, I J, K L, M, N, O, P, Q
Spare Parts Only: No
Bypass: Watts 919QT 3/4" (H)

Type: RPDA **Manufacturer:** Watts **Model:** 967RPDA-GV
Size: 4 **Orientation:** H **Meters:** (N), H, I J, K L, M, N, O, P, Q
Manual: 9 **0.25% Pb:** No **Spare Parts Only:** No
Approved: 20-Jun-2006 **Renewed:** 20-Jun-2015 **Bypass:** Watts 919QT 3/4" (H)
Shutoffs: (zzz)

Type: RPDA **Manufacturer:** Watts **Model:** 967RPDA-GV
Size: 6 **Orientation:** H **Meters:** (N),H,I,J,K,L,M,N,O,P,Q
Manual: 9 **0.25% Pb:** No **Spare Parts Only:** No
Approved: 15-Nov-2010 **Renewed:** 15-Nov-2013 **Bypass:** Watts 919QT 3/4" (H)
Shutoffs: (zzz)

Type: RPDA **Manufacturer:** Watts **Model:** 967RPDA-GV
Size: 8 **Orientation:** H **Meters:** (N), H, I J, K L, M, N, O, P, Q
Manual: 9 **0.25% Pb:** No **Spare Parts Only:** No
Approved: 27-Sep-2010 **Renewed:** 27-Sep-2013 **Bypass:** Watts 919QT 3/4" (H)
Shutoffs: (zzz)

Type: RPDA **Manufacturer:** Watts **Model:** 967RPDA-GV
Size: 10 **Orientation:** H **Meters:** (N), H, I J, K L, M, N, O, P, Q
Manual: 9 **0.25% Pb:** No **Spare Parts Only:** No
Approved: 27-Sep-2010 **Renewed:** 27-Sep-2013 **Bypass:** Watts 919QT 3/4" (H)
Shutoffs: (zzz)

Type: RPDA **Manufacturer:** Watts **Model:** 967ZRPDA-BF
Size: 2 1/2 **Orientation:** VUVU **Meters:** (N),H,I,J,K,L,M,N,O,P,Q
Manual: 9 **0.25% Pb:** No **Spare Parts Only:** No
Approved: 24-Jun-2013 **Renewed:** **Bypass:** Watts 919QT 3/4" (H)
Shutoffs: (yyy)

Type: RPDA **Manufacturer:** Watts **Model:** 967ZRPDA-BF
Size: 3 **Orientation:** VUVU **Meters:** (N),H,I,J,K,L,M,N,O,P,Q
Manual: 9 **0.25% Pb:** No **Spare Parts Only:** No
Approved: 24-Jun-2013 **Renewed:** **Bypass:** Watts 919QT 3/4" (H)
Shutoffs: (yyy)

Type: RPDA **Manufacturer:** Watts **Model:** 967ZRPDA-BF
Size: 6 **Orientation:** VUVU **Meters:** (N),H,I,J,K,L,M,N,O,P,Q
Manual: 9 **0.25% Pb:** No **Spare Parts Only:** No
Approved: 14-Jun-2013 **Renewed:** **Bypass:** Watts 919QT 3/4" (H)
Shutoffs: (yyy)

Type: RPDA Size: 2 1/2 Manual: 9 Approved: 24-Jun-2013 Shutoffs: (zzz)	Manufacturer: Watts Orientation: VUVU 0.25% Pb: No Renewed:	Model: 967ZRPDA-GV Meters: (N),H,I,J,K,L,M,N,O,P,Q Spare Parts Only: No Bypass: Watts 919QT 3/4" (H)
Type: RPDA Size: 3 Manual: 9 Approved: 24-Jun-2013 Shutoffs: (zzz)	Manufacturer: Watts Orientation: VUVU 0.25% Pb: No Renewed:	Model: 967ZRPDA-GV Meters: (N),H,I,J,K,L,M,N,O,P,Q Spare Parts Only: No Bypass: Watts 919QT 3/4" (H)
Type: RPDA Size: 6 Manual: 9 Approved: 14-Jun-2013 Shutoffs: (zzz)	Manufacturer: Watts Orientation: VUVU 0.25% Pb: No Renewed:	Model: 967ZRPDA-GV Meters: (N),H,I,J,K,L,M,N,O,P,Q Spare Parts Only: No Bypass: Watts 919QT 3/4" (H)
Type: RPDA Size: 4 Manual: 8 Approved: 01-Nov-1992 Shutoffs: pp, hh, mm, uu, zz	Manufacturer: Watts Orientation: H 0.25% Pb: No Renewed: 11-Nov-2013	Model: 990RPDA Meters: (H),A,B,C,D,E,F,G,H,I,J,K,L,M,N,O,P,Q Spare Parts Only: Yes Bypass: Watts 009QT 3/4 (H)
Type: RPDA Size: 8 Manual: 8 Approved: 13-Jan-1993 Shutoffs: oo, gg, hh, ll, mm, pp, tt, uu	Manufacturer: Watts Orientation: H 0.25% Pb: No Renewed: 13-Jan-2014	Model: 990RPDA Meters: (H),D,E,F,G,H,I,J,K,L,M,N,O,P,Q Spare Parts Only: Yes Bypass: Watts 009QT 3/4 (H)
Type: RPDA Size: 4 Manual: 8 Approved: 01-Nov-1992 Shutoffs: oo	Manufacturer: Watts Orientation: H 0.25% Pb: No Renewed: 11-Nov-2013	Model: 992RPDA Meters: (H),A,B,C,D,E,F,G,H,I,J,K,L,M,N,O,P,Q Spare Parts Only: Yes Bypass: Watts 009QT 3/4 (H)

Type: RPDA **Manufacturer:** Watts **Model:** LF957NRPDA-GV
Size: 4 **Orientation:** VUVD **Meters:** (O)
Manual: 9 **0.25% Pb:** Yes **Spare Parts Only:** No
Approved: 08-Jan-2014 **Renewed:** **Bypass:** Watts LF919QT 3/4" (H)
Shutoffs: (zzz)
Notes: Lead free compliant version identified with NSF61 mark on meter

Type: RPDA **Manufacturer:** Watts **Model:** LF957RPDA-GV
Size: 2 1/2 **Orientation:** H **Meters:** (O)
Manual: 9 **0.25% Pb:** Yes **Spare Parts Only:** No
Approved: 15-May-2014 **Renewed:** **Bypass:** Watts LF919QT 3/4" (H)
Shutoffs: (zzz)
Notes: Water meter identified with NSF61 mark

Type: RPDA **Manufacturer:** Watts **Model:** LF957RPDA-GV
Size: 3 **Orientation:** H **Meters:** (O)
Manual: 9 **0.25% Pb:** Yes **Spare Parts Only:** No
Approved: 15-May-2014 **Renewed:** **Bypass:** Watts LF919QT 3/4" (H)
Shutoffs: (zzz)
Notes: Water meter identified with NSF61 mark

Type: RPDA **Manufacturer:** Watts **Model:** LF957RPDA-GV
Size: 4 **Orientation:** H **Meters:** (O)
Manual: 9 **0.25% Pb:** Yes **Spare Parts Only:** No
Approved: 15-May-2014 **Renewed:** **Bypass:** Watts LF919QT 3/4" (H)
Shutoffs: (zzz)
Notes: Water meter identified with NSF61 mark

Type: RPDA **Manufacturer:** Watts **Model:** LF957RPDA-GV
Size: 6 **Orientation:** H **Meters:** (O)
Manual: 9 **0.25% Pb:** Yes **Spare Parts Only:** No
Approved: 15-May-2014 **Renewed:** **Bypass:** Watts LF919QT 3/4" (H)
Shutoffs: (zzz)
Notes: Water meter identified with NSF61 mark

Type: RPDA **Manufacturer:** Watts **Model:** LF957RPDAGV
Size: 8 **Orientation:** H **Meters:** (M)
Manual: 9 **0.25% Pb:** Yes **Spare Parts Only:** No
Approved: 13-Aug-2015 **Renewed:** **Bypass:** Watts LF919QT 3/4" (H)
Shutoffs: (zzz)
Notes: Water meter identified with NSF61 mark

Type: RPDA **Manufacturer:** Watts **Model:** LF957RPDAGV
Size: 10 **Orientation:** H **Meters:** (M)
Manual: 9 **0.25% Pb:** Yes **Spare Parts Only:** No
Approved: 21-Sep-2015 **Renewed:** **Bypass:** Watts LF919QT 3/4" (H)
Shutoffs: (zzz)
Notes: Lead free compliant version identified with NSF61 mark on meter

Type: RPDA **Manufacturer:** Watts **Model:** LF957ZRPDA-BF
Size: 2 1/2 **Orientation:** VUVD **Meters:** (O)
Manual: 9 **0.25% Pb:** Yes **Spare Parts Only:** No
Approved: 08-Jan-2014 **Renewed:** **Bypass:** Watts LF919QT 3/4" (H)
Shutoffs: (zzz)
Notes: Lead free compliant version identified with NSF61 mark on meter

Type: RPDA **Manufacturer:** Watts **Model:** LF957ZRPDA-BF
Size: 3 **Orientation:** VUVD **Meters:** (O)
Manual: 9 **0.25% Pb:** Yes **Spare Parts Only:** No
Approved: 08-Jan-2014 **Renewed:** **Bypass:** Watts LF919QT 3/4" (H)
Shutoffs: (zzz)
Notes: Lead free compliant version identified with NSF61 mark on meter

Type: RPDA **Manufacturer:** Watts **Model:** LF957ZRPDA-BF
Size: 4 **Orientation:** VUVD **Meters:** (O)
Manual: 9 **0.25% Pb:** Yes **Spare Parts Only:** No
Approved: 08-Jan-2014 **Renewed:** **Bypass:** Watts LF919QT 3/4" (H)
Shutoffs: (zzz)
Notes: Lead free compliant version identified with NSF61 mark on meter

Type: RPDA **Manufacturer:** Watts **Model:** LF957ZRPDA-GV
Size: 2 1/2 **Orientation:** VUVD **Meters:** (O)
Manual: 9 **0.25% Pb:** Yes **Spare Parts Only:** No
Approved: 08-Jan-2014 **Renewed:** **Bypass:** Watts LF919QT 3/4" (H)
Shutoffs: (zzz)
Notes: Lead free compliant version identified with NSF61 mark on meter

Type: RPDA **Manufacturer:** Watts **Model:** LF957ZRPDA-GV
Size: 3 **Orientation:** VUVD **Meters:** (O)
Manual: 9 **0.25% Pb:** Yes **Spare Parts Only:** No
Approved: 08-Jan-2014 **Renewed:** **Bypass:** Watts LF919QT 3/4" (H)
Shutoffs: (zzz)
Notes: Lead free compliant version identified with NSF61 mark on meter

Type: RPDA **Manufacturer:** Watts **Model:** LF957ZRPDA-GV
Size: 4 **Orientation:** VUVD **Meters:** (O)
Manual: 9 **0.25% Pb:** Yes **Spare Parts Only:** No
Approved: 08-Jan-2014 **Renewed:** **Bypass:** Watts LF919QT 3/4" (H)
Shutoffs: (zzz)
Notes: Lead free compliant version identified with NSF61 mark on meter

Type: RPDA **Manufacturer:** Wilkins **Model:** 375ADA
Size: 2 1/2 **Orientation:** H **Meters:** (M),H,I,J,K,L,N,O,P,Q
Manual: 9 **0.25% Pb:** No **Spare Parts Only:** No
Approved: 20-Oct-2008 **Renewed:** 20-Oct-2014 **Bypass:** Wilkins 975XLD 3/4 (H)
Shutoffs: (qqq),ttd,www,yyy,zzz,uuuu,vvvv,xxxx,yyyy,kkkkk,lllll

Type: RPDA **Manufacturer:** Wilkins **Model:** 375ADA
Size: 2 1/2 **Orientation:** H **Meters:** (O), M
Manual: 9 **0.25% Pb:** Yes **Spare Parts Only:** No
Approved: 18-Feb-2014 **Renewed:** **Bypass:** Wilkins 975XLD 3/4 (H)
Shutoffs: (qqq),ttd,www,yyy,uuuu,vvvv,xxxx,yyyy,kkkkk,lllll
Notes: Lead free compliant version: Starting Serial # Y09616; By-pass Assembly Starting Serial # 3863325 and identified with NSF61 mark on meter

Type: RPDA **Manufacturer:** Wilkins **Model:** 375ADA
Size: 3 **Orientation:** H **Meters:** (M),H,I,J,K,L,N,O,P,Q
Manual: 9 **0.25% Pb:** No **Spare Parts Only:** No
Approved: 20-Oct-2008 **Renewed:** 20-Oct-2014 **Bypass:** Wilkins 975XLD 3/4 (H)
Shutoffs: (qqq),ttd,www,yyy,zzz,uuuu,vvvv,xxxx,yyyy,kkkkk,lllll

Type: RPDA **Manufacturer:** Wilkins **Model:** 375ADA
Size: 3 **Orientation:** H **Meters:** (O), M
Manual: 9 **0.25% Pb:** Yes **Spare Parts Only:** No
Approved: 18-Feb-2014 **Renewed:** **Bypass:** Wilkins 975XLD 3/4 (H)
Shutoffs: (qqq),ttd,www,yyy,uuuu,vvvv,xxxx,yyyy,kkkkk,lllll
Notes: Lead free compliant version: Starting Serial # Y09616; By-pass Assembly Starting Serial # 3863325 and identified with NSF61 mark on meter

Type: RPDA **Manufacturer:** Wilkins **Model:** 375ADA
Size: 4 **Orientation:** H **Meters:** (M),
B,C,D,E,F,G,H,I,J,K,L,N,O,P,Q
Manual: 9 **0.25% Pb:** No **Spare Parts Only:** No
Approved: 02-Jun-2004 **Renewed:** 02-Jun-2013 **Bypass:** Wilkins 975XLD 3/4" (H)
Shutoffs: (qqq),ttd,www,yyy,zzz,eeee,uuuu,vvvv,xxxx,yyyy,kkkkk,lllll

Type: RPDA **Manufacturer:** Wilkins **Model:** 375ADA
Size: 4 **Orientation:** H **Meters:** (O), M
Manual: 9 **0.25% Pb:** Yes **Spare Parts Only:** No
Approved: 18-Feb-2014 **Renewed:** **Bypass:** Wilkins 975XLD 3/4" (H)
Shutoffs: (qqq),ttt,www,yyy,xxxx,yyyy,kkkkk,l1111
Notes: Lead free compliant version: Starting Serial # Y09616; By-pass Assembly Starting Serial # 3863325 and identified with NSF61 mark on meter

Type: RPDA **Manufacturer:** Wilkins **Model:** 375ADA
Size: 6 **Orientation:** H **Meters:**
(M),C,D,E,F,G,H,I,J,K,L,N,O,P,Q
Manual: 9 **0.25% Pb:** No **Spare Parts Only:** No
Approved: 25-Nov-2003 **Renewed:** 25-Nov-2012 **Bypass:** Wilkins 975XLD 3/4 (H)
Shutoffs: (qqq),ttt,www,yyy,zzz,eeee,uuuu,vvvv,xxxx,yyyy,kkkkk,l1111

Type: RPDA **Manufacturer:** Wilkins **Model:** 375ADA
Size: 6 **Orientation:** H **Meters:** (O), M
Manual: 9 **0.25% Pb:** Yes **Spare Parts Only:** No
Approved: 18-Feb-2014 **Renewed:** **Bypass:** Wilkins 975XLD 3/4 (H)
Shutoffs: (qqq),ttt,www,yyy,xxxx,yyyy,kkkkk,l1111
Notes: Lead free compliant version: Starting Serial # Y09616; By-pass Assembly Starting Serial # 3863325 and identified with NSF61 mark on meter

Type: RPDA **Manufacturer:** Wilkins **Model:** 375ADA
Size: 8 **Orientation:** H **Meters:** (N), G,H,I,J,K,L,N,O,P,Q
Manual: 9 **0.25% Pb:** No **Spare Parts Only:** No
Approved: 15-Jun-2004 **Renewed:** 15-Jun-2013 **Bypass:** Wilkins 975XLD 3/4" (H)
Shutoffs: (qqq),ttt,www,yyy,zzz,eeee,uuuu,vvvv,xxxx,yyyy,kkkkk,l1111

Type: RPDA **Manufacturer:** Wilkins **Model:** 375ADA
Size: 8 **Orientation:** H **Meters:** (O), M
Manual: 9 **0.25% Pb:** Yes **Spare Parts Only:** No
Approved: 18-Feb-2014 **Renewed:** **Bypass:** Wilkins 975XLD 3/4" (H)
Shutoffs: (qqq),ttt,www,yyy,xxxx,yyyy,kkkkk,l1111
Notes: Lead free compliant version: Starting Serial # Y09616; By-pass Assembly Starting Serial # 3863325 and identified with NSF61 mark on meter

Type: RPDA **Manufacturer:** Wilkins **Model:** 375ADA
Size: 10 **Orientation:** H **Meters:** (N),H,I,J,K,L,M,N,O,P,Q
Manual: 9 **0.25% Pb:** No **Spare Parts Only:** No
Approved: 11-Mar-2009 **Renewed:** 11-Mar-2015 **Bypass:** Wilkins 975XLD 3/4" (H)
Shutoffs: (qqq), ttt, www, yyy, zzz, eeee,uuuu,vvvv,xxxx,yyyy,kkkkk,l1111

Type: RPDA **Manufacturer:** Wilkins **Model:** 375ADA
Size: 10 **Orientation:** H **Meters:** (O), M
Manual: 9 **0.25% Pb:** Yes **Spare Parts Only:** No
Approved: 18-Feb-2014 **Renewed:** **Bypass:** Wilkins 975XLD 3/4" (H)
Shutoffs: (qqq),ttt,www,yyy,xxxx,yyyy,kkkkk,lllll
Notes: Lead free compliant version: Starting Serial # Y09616; By-pass Assembly Starting Serial # 3863325 and identified with NSF61 mark on meter

Type: RPDA **Manufacturer:** Wilkins **Model:** 375ADAR
Size: 2 1/2 **Orientation:** H **Meters:** (M),H,I,J,K,L,N,O,P,Q
Manual: 9 **0.25% Pb:** No **Spare Parts Only:** No
Approved: 16-Jun-2010 **Renewed:** 16-Jun-2013 **Bypass:** Wilkins 975XLD 3/4 (H)
Shutoffs: (qqq),ttt,www,yyy,zzz,uuuu,vvvv,xxxx,yyyy,kkkkk,lllll
Notes: Integral grooved spool between the #2 ck and #2 SOV - assembly length: min. 34 1/4" and max. 47 1/8"

Type: RPDA **Manufacturer:** Wilkins **Model:** 375ADAR
Size: 2 1/2 **Orientation:** H **Meters:** (O), M
Manual: 9 **0.25% Pb:** Yes **Spare Parts Only:** No
Approved: 18-Feb-2014 **Renewed:** **Bypass:** Wilkins 975XLD 3/4 (H)
Shutoffs: (qqq),ttt,www,yyy,uuuu,vvvv,xxxx,yyyy,kkkkk,lllll
Notes: Integral grooved spool between the #2 ck and #2 SOV - assembly length: min. 34 1/4" and max. 47 1/8" and Lead free compliant version: Starting Serial # T00466; By-pass Assembly Starting Serial # 3863325 and identified with NSF61 mark on meter

Type: RPDA **Manufacturer:** Wilkins **Model:** 375ADAR
Size: 3 **Orientation:** H **Meters:** (M),H,I,J,K,L,N,O,P,Q
Manual: 9 **0.25% Pb:** No **Spare Parts Only:** No
Approved: 16-Jun-2010 **Renewed:** 16-Jun-2013 **Bypass:** Wilkins 975XLD 3/4 (H)
Shutoffs: (qqq),ttt,www,yyy,zzz,uuuu,vvvv,xxxx,yyyy,kkkkk,lllll
Notes: Integral grooved spool between the #2 ck and #2 SOV - assembly length: min. 34 3/4" and max. 48 1/8"

Type: RPDA **Manufacturer:** Wilkins **Model:** 375ADAR
Size: 3 **Orientation:** H **Meters:** (O), M
Manual: 9 **0.25% Pb:** Yes **Spare Parts Only:** No
Approved: 18-Feb-2014 **Renewed:** **Bypass:** Wilkins 975XLD 3/4 (H)
Shutoffs: (qqq),ttt,www,yyy,uuuu,vvvv,xxxx,yyyy,kkkkk,lllll
Notes: Integral grooved spool between the #2 ck and #2 SOV - assembly length: min. 34 3/4" and max. 48 1/8" and Lead free compliant version: Starting Serial # T00466; By-pass Assembly Starting Serial # 3863325 and identified with NSF61 mark on meter

Type: RPDA **Manufacturer:** Wilkins **Model:** 375ADAR
Size: 4 **Orientation:** H **Meters:**
(M),A,B,C,D,E,F,G,H,I,J,K,L,M,N,O,P,Q
Manual: 9 **0.25% Pb:** No **Spare Parts Only:** No
Approved: 25-Mar-2010 **Renewed:** 25-Mar-2013 **Bypass:** Wilkins 975XLD 3/4 (H)
Shutoffs: (qqq),ttt,www,yyy,zzz,eeee,uuuu,vvvv,xxxx,yyyy,kkkkk,lllll
Notes: Integral grooved spool between the #2 ck and #2 SOV - assembly length: min. 35 3/4" and max. 62 1/4"

Type: RPDA **Manufacturer:** Wilkins **Model:** 375ADAR
Size: 4 **Orientation:** H **Meters:** (O), M
Manual: 9 **0.25% Pb:** Yes **Spare Parts Only:** No
Approved: 18-Feb-2014 **Renewed:** **Bypass:** Wilkins 975XLD 3/4 (H)
Shutoffs: (qqq),ttt,www,yyy,xxxx,yyyy,kkkkk,lllll
Notes: Integral grooved spool between the #2 ck and #2 SOV - assembly length: min. 35 3/4" and max. 62 1/4" and Lead free compliant version: Starting Serial # T00466; By-pass Assembly Starting Serial # 3863325 and identified with NSF61 mark on meter

Type: RPDA **Manufacturer:** Wilkins **Model:** 375ADAR
Size: 6 **Orientation:** H **Meters:**
(M),A,B,C,D,E,F,G,H,I,J,K,L,M,N,O,P,Q
Manual: 9 **0.25% Pb:** No **Spare Parts Only:** No
Approved: 25-Mar-2010 **Renewed:** 25-Mar-2013 **Bypass:** Wilkins 975XLD 3/4 (H)
Shutoffs: (qqq),ttt,www,yyy,zzz,eeee,uuuu,vvvv,xxxx,yyyy,kkkkk,lllll
Notes: Integral grooved spool between the #2 ck and #2 SOV - assembly length: min. 42 1/2" and max. 71 1/4"

Type: RPDA **Manufacturer:** Wilkins **Model:** 375ADAR
Size: 6 **Orientation:** H **Meters:** (O), M
Manual: 9 **0.25% Pb:** Yes **Spare Parts Only:** No
Approved: 18-Feb-2014 **Renewed:** **Bypass:** Wilkins 975XLD 3/4 (H)
Shutoffs: (qqq),ttt,www,yyy,xxxx,yyyy,kkkkk,lllll
Notes: Integral grooved spool between the #2 ck and #2 SOV - assembly length: min. 42 1/2" and max. 71 1/4" and Lead free compliant version: Starting Serial # T00466; By-pass Assembly Starting Serial # 3863325 and identified with NSF61 mark on meter

Type: RPDA **Manufacturer:** Wilkins **Model:** 375ADAR
Size: 8 **Orientation:** H **Meters:**
(M),A,B,C,D,E,F,G,H,I,J,K,L,M,N,O,P,Q
Manual: 9 **0.25% Pb:** No **Spare Parts Only:** No
Approved: 25-Mar-2010 **Renewed:** 25-Mar-2013 **Bypass:** Wilkins 975XLD 3/4 (H)
Shutoffs: (qqq),ttt,www,yyy,zzz,eeee,uuuu,vvvv,xxxx,yyyy,kkkkk,lllll
Notes: Integral grooved spool between the #2 ck and #2 SOV - assembly length: min. 57 7/8" and max. 86"

Type: RPDA **Manufacturer:** Wilkins **Model:** 375ADAR
Size: 8 **Orientation:** H **Meters:** (O), M
Manual: 9 **0.25% Pb:** Yes **Spare Parts Only:** No
Approved: 18-Feb-2014 **Renewed:** **Bypass:** Wilkins 975XLD 3/4 (H)
Shutoffs: (qqq),ttt,www,yyy,xxxx,yyyy,kkkkk,lllll
Notes: Integral grooved spool between the #2 ck and #2 SOV - assembly length: min. 57 7/8" and max. 86" and Lead free compliant version: Starting Serial # T00466; By-pass Assembly Starting Serial # 3863325 and identified with NSF61 mark on meter

Type: RPDA **Manufacturer:** Wilkins **Model:** 375ADAR
Size: 10 **Orientation:** H **Meters:**
(M),A,B,C,D,E,F,G,H,I,J,K,L,M,N,O,P,Q
Manual: 9 **0.25% Pb:** No **Spare Parts Only:** No
Approved: 25-Mar-2010 **Renewed:** 25-Mar-2013 **Bypass:** Wilkins 975XLD 3/4 (H)
Shutoffs: (qqq),ttt,www,yyy,zzz,eeee,uuuu,vvvv,xxxx,yyyy,kkkkk,lllll
Notes: Integral grooved spool between the #2 ck and #2 SOV - assembly length: min. 61 3/8" and max. 100 5/8"

Type: RPDA **Manufacturer:** Wilkins **Model:** 375ADAR
Size: 10 **Orientation:** H **Meters:** (O), M
Manual: 9 **0.25% Pb:** Yes **Spare Parts Only:** No
Approved: 18-Feb-2014 **Renewed:** **Bypass:** Wilkins 975XLD 3/4 (H)
Shutoffs: (qqq),ttt,www,yyy,xxxx,yyyy,kkkkk,lllll
Notes: Integral grooved spool between the #2 ck and #2 SOV - assembly length: min. 61 3/8" and max. 100 5/8" and Lead free compliant version: Starting Serial # T00466; By-pass Assembly Starting Serial # 3863325 and identified with NSF61 mark on meter

Type: RPDA **Manufacturer:** Wilkins **Model:** 375ASTDA
Size: 2 1/2 **Orientation:** H **Meters:** (M),H,I,J,K,L,N,O,P,Q
Manual: 10 **0.25% Pb:** No **Spare Parts Only:** No
Approved: 14-Jun-2013 **Renewed:** **Bypass:** Wilkins 975XLD 3/4 (H)
Shutoffs: (yyy),qqq,ttt,uuuu,vvvv,xxxx,yyyy,kkkkk,lllll

Type: RPDA **Manufacturer:** Wilkins **Model:** 375ASTDA
Size: 2 1/2 **Orientation:** H **Meters:** (O), M
Manual: 10 **0.25% Pb:** Yes **Spare Parts Only:** No
Approved: 20-Feb-2014 **Renewed:** **Bypass:** Wilkins 975XLD 3/4 (H)
Shutoffs: (yyy),qqq,ttt,uuuu,vvvv,xxxx,yyyy,kkkkk,lllll
Notes: Lead free compliant version: By-pass Assembly Starting Serial # 3863325 and identified with NSF61 mark on meter

Type: RPDA **Manufacturer:** Wilkins **Model:** 375ASTDA
Size: 3 **Orientation:** H **Meters:** (M),H,I,J,K,L,N,O,P,Q
Manual: 10 **0.25% Pb:** No **Spare Parts Only:** No
Approved: 14-Jun-2013 **Renewed:** **Bypass:** Wilkins 975XLD 3/4 (H)
Shutoffs: (yyy),qqq,ttt,uuuu,vvvv,xxxx,yyyy,kkkkk,lllll

Type: RPDA **Manufacturer:** Wilkins **Model:** 375ASTDA
Size: 3 **Orientation:** H **Meters:** (O), M
Manual: 10 **0.25% Pb:** Yes **Spare Parts Only:** No
Approved: 20-Feb-2014 **Renewed:** **Bypass:** Wilkins 975XLD 3/4 (H)
Shutoffs: (yyy),qqq,ttt,uuuu,vvvv,xxxx,yyyy,kkkkk,lllll

Notes: Lead free compliant version: By-pass Assembly Starting Serial # 3863325 and identified with NSF61 mark on meter

Type: RPDA **Manufacturer:** Wilkins **Model:** 375ASTDA
Size: 4 **Orientation:** H **Meters:** (M),H,I,J,K,L,N,O,P,Q
Manual: 10 **0.25% Pb:** No **Spare Parts Only:** No
Approved: 14-Jun-2013 **Renewed:** **Bypass:** Wilkins 975XLD 3/4" (H)
Shutoffs: (yyy),qqq,ttt,uuuu,vvvv,xxxx,yyyy,kkkkk,lllll

Type: RPDA **Manufacturer:** Wilkins **Model:** 375ASTDA
Size: 4 **Orientation:** H **Meters:** (O), M
Manual: 10 **0.25% Pb:** Yes **Spare Parts Only:** No
Approved: 20-Feb-2014 **Renewed:** **Bypass:** Wilkins 975XLD 3/4" (H)
Shutoffs: (yyy),qqq,ttt,uuuu,vvvv,xxxx,yyyy,kkkkk,lllll

Notes: Lead free compliant version: By-pass Assembly Starting Serial # 3863325 and identified with NSF61 mark on meter

Type: RPDA **Manufacturer:** Wilkins **Model:** 375ASTDA
Size: 6 **Orientation:** H **Meters:** (O), M
Manual: 10 **0.25% Pb:** Yes **Spare Parts Only:** No
Approved: 18-Sep-2014 **Renewed:** **Bypass:** Wilkins 975XLD 3/4" (H)
Shutoffs: (yyyy),ttt,www,yyy,uuuu,vvvv,xxxx,kkkkk,lllll

Type: RPDA **Manufacturer:** Wilkins **Model:** 375ASTDA
Size: 8 **Orientation:** H **Meters:** (O), M
Manual: 10 **0.25% Pb:** Yes **Spare Parts Only:** No
Approved: 18-Sep-2014 **Renewed:** **Bypass:** Wilkins 975XLD 3/4" (H)
Shutoffs: (yyyy),ttt,www,yyy,uuuu,vvvv,xxxx,kkkkk,lllll

Type: RPDA **Manufacturer:** Wilkins **Model:** 375ASTDA
Size: 10 **Orientation:** H **Meters:** (O)
Manual: 10 **0.25% Pb:** Yes **Spare Parts Only:** No
Approved: 18-Sep-2014 **Renewed:** **Bypass:** Wilkins 975XLD 3/4" (H)
Shutoffs: (yyyy),ttt,www,yyy,uuuu,vvvv,xxxx,kkkk,llll

Type: RPDA **Manufacturer:** Wilkins **Model:** 375ASTDAR
Size: **Orientation:** H **Meters:** (O), M
Manual: 10 **0.25% Pb:** Yes **Spare Parts Only:** No
Approved: 09-Oct-2014 **Renewed:** **Bypass:** Wilkins 975XLD 3/4" (H)
Shutoffs: (yyyy),ttt,www,yyy,uuuu,vvvv,xxxx,kkkk,llll
Notes: Integral grooved spool between the #2 ck and #2 SOV - assembly length: min. 31" and max. 47 1/8"

Type: RPDA **Manufacturer:** Wilkins **Model:** 375ASTDAR
Size: 3 **Orientation:** H **Meters:** (O), M
Manual: 10 **0.25% Pb:** Yes **Spare Parts Only:** No
Approved: 09-Oct-2014 **Renewed:** **Bypass:** Wilkins 975XLD 3/4" (H)
Shutoffs: (yyyy),ttt,www,yyy,uuuu,vvvv,xxxx,kkkk,llll
Notes: Integral grooved spool between the #2 ck and #2 SOV - assembly length: min. 31 1/2" and max. 48 1/8"

Type: RPDA **Manufacturer:** Wilkins **Model:** 375ASTDAR
Size: 4 **Orientation:** H **Meters:** (O), M
Manual: 10 **0.25% Pb:** Yes **Spare Parts Only:** No
Approved: 09-Oct-2014 **Renewed:** **Bypass:** Wilkins 975XLD 3/4" (H)
Shutoffs: (yyyy),ttt,www,yyy,uuuu,vvvv,xxxx,kkkk,llll
Notes: Integral grooved spool between the #2 ck and #2 SOV - assembly length: min. 32 5/8" and max. 62 1/4"

Type: RPDA **Manufacturer:** Wilkins **Model:** 375ASTDAR
Size: 6 **Orientation:** H **Meters:** (O), M
Manual: 10 **0.25% Pb:** Yes **Spare Parts Only:** No
Approved: 18-Sep-2014 **Renewed:** **Bypass:** Wilkins 975XLD 3/4" (H)
Shutoffs: (yyyy),ttt,www,yyy,uuuu,vvvv,xxxx,kkkk,llll
Notes: Integral grooved spool between the #2 ck and #2 SOV - assembly length: min. 39" and max. 71 1/4"

Type: RPDA **Manufacturer:** Wilkins **Model:** 375ASTDAR
Size: 8 **Orientation:** H **Meters:** (O), M
Manual: 10 **0.25% Pb:** Yes **Spare Parts Only:** No
Approved: 18-Sep-2014 **Renewed:** **Bypass:** Wilkins 975XLD 3/4" (H)
Shutoffs: (yyyy),ttt,www,yyy,uuuu,vvvv,xxxx,kkkk,llll
Notes: Integral grooved spool between the #2 ck and #2 SOV - assembly length: min. 48 3/4" and max. 86"

Type: RPDA **Manufacturer:** Wilkins **Model:** 375ASTDAR
Size: 10 **Orientation:** H **Meters:** (O)
Manual: 10 **0.25% Pb:** Yes **Spare Parts Only:** No
Approved: 18-Sep-2014 **Renewed:** **Bypass:** Wilkins 975XLD 3/4" (H)
Shutoffs: (yyyy),ttt,www,yyy,uuuu,vvvv,xxxx,kkkkk,lllll
Notes: Integral grooved spool between the #2 ck and #2 SOV - assembly length: min. 52 5/8" and max. 100 5/8"

Type: RPDA **Manufacturer:** Wilkins **Model:** 375DA
Size: 2 1/2 **Orientation:** H **Meters:**
(M),C,D,E,F,G,H,I,J,K,L,N,O,P,Q
Manual: 9 **0.25% Pb:** No **Spare Parts Only:** No
Approved: 08-Oct-2002 **Renewed:** 08-Oct-2014 **Bypass:** Wilkins 975XLD 3/4 (H)
Shutoffs: (hh),ff,mm,uu,zz,vvvv,wwwwww,yyyy,zzzz,kkkkk

Type: RPDA **Manufacturer:** Wilkins **Model:** 375DA
Size: 2 1/2 **Orientation:** H **Meters:** (O), M
Manual: 9 **0.25% Pb:** Yes **Spare Parts Only:** No
Approved: 18-Feb-2014 **Renewed:** **Bypass:** Wilkins 975XLD 3/4 (H)
Shutoffs: (hh),qqq,vvv,www,yyyy,zzzz,kkkkk
Notes: Lead free compliant version: Starting Serial # M08452; By-pass Assembly Starting Serial # 3863325 and identified with NSF61 mark on meter

Type: RPDA **Manufacturer:** Wilkins **Model:** 375DA
Size: 3 **Orientation:** H **Meters:**
(M),C,D,E,F,G,H,I,J,K,L,N,O,P,Q
Manual: 9 **0.25% Pb:** No **Spare Parts Only:** No
Approved: 08-Oct-2002 **Renewed:** 08-Oct-2014 **Bypass:** Wilkins 975XLD 3/4 (H)
Shutoffs: (hh),ff,mm,uu,zz,vvvv,wwwwww,yyyy,zzzz,kkkkk

Type: RPDA **Manufacturer:** Wilkins **Model:** 375DA
Size: 3 **Orientation:** H **Meters:** (O), M
Manual: 9 **0.25% Pb:** Yes **Spare Parts Only:** No
Approved: 18-Feb-2014 **Renewed:** **Bypass:** Wilkins 975XLD 3/4 (H)
Shutoffs: (hh),qqq,vvv,www,yyyy,zzzz
Notes: Lead free compliant version: Starting Serial # M08452; By-pass Assembly Starting Serial # 3863325 and identified with NSF61 mark on meter

Type: RPDA	Manufacturer: Wilkins	Model: 375DA
Size: 4	Orientation: H	Meters: (M),C,D,E,F,G,H,I,J,K,L,N,O,P,Q
Manual: 9	0.25% Pb: No	Spare Parts Only: No
Approved: 13-Dec-2000	Renewed: 13-Dec-2012	Bypass: Wilkins 975XLD 3/4 (H)
Shutoffs: (hh),ff,mm,uu,zz,qqq,vvv,www.zzz,eeee,vvvv,wwwww,yyyy,zzzz,kkkkk		

Type: RPDA	Manufacturer: Wilkins	Model: 375DA
Size: 4	Orientation: H	Meters: (O), M
Manual: 9	0.25% Pb: Yes	Spare Parts Only: No
Approved: 18-Feb-2014	Renewed:	Bypass: Wilkins 975XLD 3/4 (H)
Shutoffs: (hh),qqq,vvv,www,yyyy,zzzz		

Notes: Lead free compliant version: Starting Serial # M08452; By-pass Assembly Starting Serial # 3863325 and identified with NSF61 mark on meter

Type: RPDA	Manufacturer: Wilkins	Model: 375DA
Size: 6	Orientation: H	Meters: (N),C,D,E,F,G,H,I,J,K,L,M,O,P,Q
Manual: 9	0.25% Pb: No	Spare Parts Only: No
Approved: 31-May-2001	Renewed: 31-May-2013	Bypass: Wilkins 975XLD 3/4 (H)
Shutoffs: (hh),ff,mm,uu,zz,qqq,vvv,www.zzz,eeee,vvvv,wwwww,yyyy,zzzz,kkkkk		

Type: RPDA	Manufacturer: Wilkins	Model: 375DA
Size: 6	Orientation: H	Meters: (O), M
Manual: 9	0.25% Pb: Yes	Spare Parts Only: No
Approved: 18-Feb-2014	Renewed:	Bypass: Wilkins 975XLD 3/4 (H)
Shutoffs: (hh),qqq,vvv,www,yyyy,zzzz		

Notes: Lead free compliant version: Starting Serial # M08452; By-pass Assembly Starting Serial # 3863325 and identified with NSF61 mark on meter

Type: RPDA	Manufacturer: Wilkins	Model: 375DA
Size: 8	Orientation: H	Meters: (N), G,H,I,J,K,L,N,O,P,Q
Manual: 9	0.25% Pb: No	Spare Parts Only: No
Approved: 15-Jun-2004	Renewed: 15-Jun-2013	Bypass: Wilkins 975XLD 3/4" (H)
Shutoffs: (hh),ff,mm,uu,zz,qqq,vvv,www.zzz,eeee,vvvv,wwwww,yyyy,zzzz,kkkkk		

Type: RPDA **Manufacturer:** Wilkins **Model:** 375DA
Size: 8 **Orientation:** H **Meters:** (O), M
Manual: 9 **0.25% Pb:** Yes **Spare Parts Only:** No
Approved: 18-Feb-2014 **Renewed:** **Bypass:** Wilkins 975XLD 3/4" (H)
Shutoffs: (hh),qqq,vvv,www,yyyy,zzzz
Notes: Lead free compliant version: Starting Serial # M08452; By-pass Assembly Starting Serial # 3863325 and identified with NSF61 mark on meter

Type: RPDA **Manufacturer:** Wilkins **Model:** 375DA
Size: 10 **Orientation:** H **Meters:** (N),G,H,I,J,K,L,M,O,P,Q
Manual: 9 **0.25% Pb:** No **Spare Parts Only:** No
Approved: 22-Nov-2004 **Renewed:** 22-Nov-2013 **Bypass:** Wilkins 975XLD 3/4" (H)
Shutoffs: (hh),ff,mm,uu,zz,qqq,vvv,www.zzz,eeee,vvvv,wwww,yyyy,zzzz,kkkkk

Type: RPDA **Manufacturer:** Wilkins **Model:** 375DA
Size: 10 **Orientation:** H **Meters:** (O), M
Manual: 9 **0.25% Pb:** Yes **Spare Parts Only:** No
Approved: 18-Feb-2014 **Renewed:** **Bypass:** Wilkins 975XLD 3/4" (H)
Shutoffs: (hh),qqq,vvv,www,yyyy,zzzz
Notes: Lead free compliant version: Starting Serial # M08452; By-pass Assembly Starting Serial # 3863325 and identified with NSF61 mark on meter

Type: RPDA **Manufacturer:** Wilkins **Model:** 475DA
Size: 4 **Orientation:** VUVD **Meters:** (N),F,G,H,I,J,K,L,M,O,P,Q
Manual: 9 **0.25% Pb:** No **Spare Parts Only:** No
Approved: 20-Mar-2001 **Renewed:** 20-Mar-2013 **Bypass:** Wilkins 975XLD 3/4" (H)
Shutoffs: (qqq),ttt,www,yyy,zzz,eeee,uuuu,vvvv,xxxx,yyyy,kkkkk,lIIII

Type: RPDA **Manufacturer:** Wilkins **Model:** 475DA
Size: 4 **Orientation:** VUVD **Meters:** (O), M
Manual: 9 **0.25% Pb:** Yes **Spare Parts Only:** No
Approved: 18-Feb-2014 **Renewed:** **Bypass:** Wilkins 975XLD 3/4" (H)
Shutoffs: (hh),qqq,vvv,www,yyyy,zzzz
Notes: Lead free compliant version: Starting Serial # R04847; By-pass Assembly Starting Serial # 3863325 and identified with NSF61 mark on meter

Type: RPDA **Manufacturer:** Wilkins **Model:** 475DA
Size: 6 **Orientation:** VUVD **Meters:** (N),F,G,H,I,J,K,L,M,O,P,Q
Manual: 9 **0.25% Pb:** No **Spare Parts Only:** No
Approved: 31-May-2001 **Renewed:** 31-May-2013 **Bypass:** Wilkins 975XLD 3/4" (H)
Shutoffs: (qqq),ttt,www,yyy,zzz,eeee,uuuu,vvvv,xxxx,yyyy,kkkkk,lIIII

Type: RPDA **Manufacturer:** Wilkins **Model:** 475DA
Size: 6 **Orientation:** VUVD **Meters:** (O), M
Manual: 9 **0.25% Pb:** Yes **Spare Parts Only:** No
Approved: 18-Feb-2014 **Renewed:** **Bypass:** Wilkins 975XLD 3/4 (H)
Shutoffs: (hh),qqq,vvv,www,yyyy,zzzz
Notes: Lead free compliant version: Starting Serial # R04847; By-pass Assembly Starting Serial # 3863325 and identified with NSF61 mark on meter

Type: RPDA **Manufacturer:** Wilkins **Model:** 475DA
Size: 8 **Orientation:** VUVD **Meters:** (M),
B,C,D,E,F,G,H,I,J,K,L,N,O,P,Q
Manual: 9 **0.25% Pb:** No **Spare Parts Only:** No
Approved: 11-Aug-2004 **Renewed:** 11-Aug-2013 **Bypass:** Wilkins 975XLD 3/4 (H)
Shutoffs: (qqq),ttt,www,yyy,zzz,eeee,uuuu,vvvv,xxxx,yyyy,kkkkk,IIIII

Type: RPDA **Manufacturer:** Wilkins **Model:** 475DA
Size: 8 **Orientation:** VUVD **Meters:** (O), M
Manual: 9 **0.25% Pb:** Yes **Spare Parts Only:** No
Approved: 18-Feb-2014 **Renewed:** **Bypass:** Wilkins 975XLD 3/4 (H)
Shutoffs: (hh),qqq,vvv,www,yyyy,zzzz
Notes: Lead free compliant version: Starting Serial # R04847; By-pass Assembly Starting Serial # 3863325 and identified with NSF61 mark on meter

Type: RPDA **Manufacturer:** Wilkins **Model:** 475DAV
Size: 4 **Orientation:** VUVU **Meters:** (N),F,G,H,I,J,K,L,M,O,P,Q
Manual: 9 **0.25% Pb:** No **Spare Parts Only:** No
Approved: 20-Mar-2001 **Renewed:** 20-Mar-2013 **Bypass:** Wilkins 975XLD 3/4 (H)
Shutoffs: (qqq),mm,ttt,www,yyy,zzz,eeee,uuuu,vvvv,xxxx,yyyy,kkkkk,IIIII

Type: RPDA **Manufacturer:** Wilkins **Model:** 475DAV
Size: 4 **Orientation:** VUVU **Meters:** (O), M
Manual: 9 **0.25% Pb:** Yes **Spare Parts Only:** No
Approved: 18-Feb-2014 **Renewed:** **Bypass:** Wilkins 975XLD 3/4 (H)
Shutoffs: (hh),qqq,vvv,www,yyyy,zzzz
Notes: Lead free compliant version: Starting Serial # R04847; By-pass Assembly Starting Serial # 3863325 and identified with NSF61 mark on meter

Type: RPDA **Manufacturer:** Wilkins **Model:** 475DAV
Size: 6 **Orientation:** VUVU **Meters:** (N),F,G,H,I,J,K,L,M,O,P,Q
Manual: 9 **0.25% Pb:** No **Spare Parts Only:** No
Approved: 20-Jul-2004 **Renewed:** 20-Jul-2013 **Bypass:** Wilkins 975XLD 3/4 (H)
Shutoffs: (qqq),mm,ttt,www,yyy,zzz,eeee,uuuu,vvvv,xxxx,yyyy,kkkkk,IIIII

Type: RPDA **Manufacturer:** Wilkins **Model:** 475DAV
Size: 6 **Orientation:** VUVU **Meters:** (O), M
Manual: 9 **0.25% Pb:** Yes **Spare Parts Only:** No
Approved: 18-Feb-2014 **Renewed:** **Bypass:** Wilkins 975XLD 3/4 (H)
Shutoffs: (hh),qqq,vvv,www,yyyy,zzzz
Notes: Lead free compliant version: Starting Serial # R04847; By-pass Assembly Starting Serial # 3863325 and identified with NSF61 mark on meter

Type: RPDA **Manufacturer:** Wilkins **Model:** 475DAV
Size: 8 **Orientation:** VUVU **Meters:** (M),
B,C,D,E,F,G,H,I,J,K,L,N,O,P,Q
Manual: 9 **0.25% Pb:** No **Spare Parts Only:** No
Approved: 24-Apr-2004 **Renewed:** 24-Apr-2013 **Bypass:** Wilkins 975XLD 3/4 (H)
Shutoffs: (qqq),mm,ttt,www,yyy,zzz,eeee,uuuu,vvvv,xxxx,yyyy,kkkkk,IIII

Type: RPDA **Manufacturer:** Wilkins **Model:** 475DAV
Size: 8 **Orientation:** VUVU **Meters:** (O), M
Manual: 9 **0.25% Pb:** Yes **Spare Parts Only:** No
Approved: 18-Feb-2014 **Renewed:** **Bypass:** Wilkins 975XLD 3/4 (H)
Shutoffs: (hh),qqq,vvv,www,yyyy,zzzz
Notes: Lead free compliant version: Starting Serial # R04847; By-pass Assembly Starting Serial # 3863325 and identified with NSF61 mark on meter

Type: RPDA **Manufacturer:** Wilkins **Model:** 975DA
Size: 2 1/2 **Orientation:** H **Meters:**
(M),A,B,C,D,E,F,G,H,I,J,K,L,N,O,P,Q
Manual: 8 **0.25% Pb:** No **Spare Parts Only:** No
Approved: 01-Feb-1994 **Renewed:** 01-Feb-2015 **Bypass:** Wilkins 975 3/4 (H)
Shutoffs: (hh),ff,uu,zz,vvvv,www,yyyy,zzzz

Type: RPDA **Manufacturer:** Wilkins **Model:** 975DA
Size: 3 **Orientation:** H **Meters:**
(M),A,B,C,D,E,F,G,H,I,J,K,L,N,O,P,Q
Manual: 8 **0.25% Pb:** No **Spare Parts Only:** No
Approved: 01-Feb-1994 **Renewed:** 01-Feb-2015 **Bypass:** Wilkins 975 3/4 (H)
Shutoffs: (hh),ff,uu,zz,vvvv,www,yyyy,zzzz

Type: RPDA **Manufacturer:** Wilkins **Model:** 975DA
Size: 4 **Orientation:** H **Meters:**
(M),A,B,C,D,E,F,G,H,I,J,K,L,N,O,P,Q
Manual: 8 **0.25% Pb:** No **Spare Parts Only:** Yes
Approved: 01-Nov-1993 **Renewed:** 01-Nov-2014 **Bypass:** Wilkins 975 3/4 (H)
Shutoffs: hh,ff,mm,uu,zz,vvvv,www,yyyy,zzzz

Type: RPDA **Manufacturer:** Wilkins **Model:** 975DA
Size: 6 **Orientation:** H **Meters:**
(M),A,B,C,D,E,F,G,H,I,J,K,L,N,O,P,Q
Manual: 8 **0.25% Pb:** No **Spare Parts Only:** Yes
Approved: 14-Mar-1994 **Renewed:** 14-Mar-2015 **Bypass:** Wilkins 975 3/4 (H)
Shutoffs: hh,ff,mm,uu,zz,vvvv,www,yyyy,zzzz

Type: RPDA **Manufacturer:** Wilkins **Model:** 975DA
Size: 8 **Orientation:** H **Meters:**
(M),A,B,C,D,E,F,G,H,I,J,K,L,N,O,P,Q
Manual: 8 **0.25% Pb:** No **Spare Parts Only:** No
Approved: 05-Dec-1996 **Renewed:** 05-Dec-2014 **Bypass:** Wilkins 975 3/4 (H)
Shutoffs: (hh),ff,uu,zz,vvvv,www,yyyy,zzzz

Type: RPDA **Manufacturer:** Wilkins **Model:** 975DA
Size: 10 **Orientation:** H **Meters:**
(M),A,B,C,D,E,F,G,H,I,J,K,L,N,O,P,Q
Manual: 8 **0.25% Pb:** No **Spare Parts Only:** No
Approved: 05-Dec-1996 **Renewed:** 05-Dec-2014 **Bypass:** Wilkins 975 3/4 (H)
Shutoffs: (hh),ff,uu,zz,vvvv,www,yyyy,zzzz

Type: RPDA-II **Manufacturer:** Febco **Model:** LF866
Size: 2 1/2 **Orientation:** H **Meters:** (O),G,H,I,J,K,L,M,N,P,Q
Manual: 10 **0.25% Pb:** No **Spare Parts Only:** No
Approved: 20-Mar-2015 **Renewed:** **Bypass:** Watts 3/4" LF619 (H)
Shutoffs: (mm), ll

Type: RPDA-II **Manufacturer:** Febco **Model:** LF866
Size: 3 **Orientation:** H **Meters:** (O),G,H,I,J,K,L,M,N,P,Q
Manual: 10 **0.25% Pb:** No **Spare Parts Only:** No
Approved: 20-Mar-2015 **Renewed:** **Bypass:** Watts 3/4" LF619 (H)
Shutoffs: (mm), ll

Type: RPDA-II **Manufacturer:** Febco **Model:** LF866
Size: 4 **Orientation:** H **Meters:** (O),G,H,I,J,K,L,M,N,P,Q
Manual: 10 **0.25% Pb:** No **Spare Parts Only:** No
Approved: 26-Jan-2015 **Renewed:** **Bypass:** Watts 3/4" LF619 (H)
Shutoffs: (mm), II

Type: RPDA-II **Manufacturer:** Febco **Model:** LF866
Size: 6 **Orientation:** H **Meters:** (O),G,H,I,J,K,L,M,N,P,Q
Manual: 10 **0.25% Pb:** No **Spare Parts Only:** No
Approved: 13-Mar-2015 **Renewed:** **Bypass:** Watts 3/4" LF619 (H)
Shutoffs: (mm), II

Type: RPDA-II **Manufacturer:** Febco **Model:** LF866
Size: 8 **Orientation:** H **Meters:** (O),G,H,I,J,K,L,M,N,P,Q
Manual: 10 **0.25% Pb:** No **Spare Parts Only:** No
Approved: 07-Jul-2015 **Renewed:** **Bypass:** Watts 3/4" LF619 (H)
Shutoffs: (mm), II

Type: RPDA-II **Manufacturer:** Febco **Model:** LF866
Size: 10 **Orientation:** H **Meters:** (O),G,H,I,J,K,L,M,N,P,Q
Manual: 10 **0.25% Pb:** No **Spare Parts Only:** No
Approved: 07-Jul-2015 **Renewed:** **Bypass:** Watts 3/4" LF619 (H)
Shutoffs: (mm), II

Type: RPDA-II **Manufacturer:** Febco **Model:** LF886V
Size: 2 1/2 **Orientation:** VUVD **Meters:** (O),G,H,I,J,K,L,M,N,P,Q
Manual: 10 **0.25% Pb:** No **Spare Parts Only:** No
Approved: 20-Mar-2015 **Renewed:** **Bypass:** Watts 3/4" LF619 (HVU)
Shutoffs: (mm), II

Type: RPDA-II **Manufacturer:** Febco **Model:** LF886V
Size: 2 1/2 **Orientation:** VUVU **Meters:** (O),G,H,I,J,K,L,M,N,P,Q
Manual: 10 **0.25% Pb:** No **Spare Parts Only:** No
Approved: 20-Mar-2015 **Renewed:** **Bypass:** Watts 3/4" LF619 (HVD)
Shutoffs: (mm), II

Type: RPDA-II **Manufacturer:** Febco **Model:** LF886V
Size: 3 **Orientation:** VUVD **Meters:** (O),G,H,I,J,K,L,M,N,P,Q
Manual: 10 **0.25% Pb:** No **Spare Parts Only:** No
Approved: 20-Mar-2015 **Renewed:** **Bypass:** Watts 3/4" LF619 (HVU)
Shutoffs: (mm), II

Type: RPDA-II **Manufacturer:** Febco **Model:** LF886V
Size: 3 **Orientation:** VUVU **Meters:** (O),G,H,I,J,K,L,M,N,P,Q
Manual: 10 **0.25% Pb:** No **Spare Parts Only:** No
Approved: 20-Mar-2015 **Renewed:** **Bypass:** Watts 3/4" LF619 (HVD)
Shutoffs: (mm), II

Type: RPDA-II **Manufacturer:** Febco **Model:** LF886V
Size: 4 **Orientation:** VUVD **Meters:** (O),G,H,I,J,K,L,M,N,P,Q
Manual: 10 **0.25% Pb:** No **Spare Parts Only:** No
Approved: 26-Jan-2015 **Renewed:** **Bypass:** Watts 3/4" LF619 (HVU)
Shutoffs: (mm), II

Type: RPDA-II **Manufacturer:** Febco **Model:** LF886V
Size: 4 **Orientation:** VUVU **Meters:** (O),G,H,I,J,K,L,M,N,P,Q
Manual: 10 **0.25% Pb:** No **Spare Parts Only:** No
Approved: 26-Jan-2015 **Renewed:** **Bypass:** Watts 3/4" LF619 (HVD)
Shutoffs: (mm), II

Type: RPDA-II **Manufacturer:** Febco **Model:** LF886V
Size: 6 **Orientation:** VUVD **Meters:** (O),G,H,I,J,K,L,M,N,P,Q
Manual: 10 **0.25% Pb:** No **Spare Parts Only:** No
Approved: 26-Jan-2015 **Renewed:** **Bypass:** Watts 3/4" LF619 (HVU)
Shutoffs: (mm), II

Type: RPDA-II **Manufacturer:** Febco **Model:** LF886V
Size: 6 **Orientation:** VUVU **Meters:** (O),J,K,L,M,N,P,Q
Manual: 10 **0.25% Pb:** No **Spare Parts Only:** No
Approved: 26-Jan-2015 **Renewed:** **Bypass:** Watts 3/4" LF619 (HVD)
Shutoffs: (mm), II

Type: RPDA-II **Manufacturer:** Febco **Model:** LF886V
Size: 8 **Orientation:** VUVD **Meters:** (O)
Manual: 10 **0.25% Pb:** No **Spare Parts Only:** No
Approved: 07-Jul-2015 **Renewed:** **Bypass:** Watts 3/4" LF619 (HVU)
Shutoffs: (mm), II

Type: RPDA-II **Manufacturer:** Febco **Model:** LF886V
Size: 8 **Orientation:** VUVU **Meters:** (O)
Manual: 10 **0.25% Pb:** No **Spare Parts Only:** No
Approved: 07-Jul-2015 **Renewed:** **Bypass:** Watts 3/4" LF619 (HVD)
Shutoffs: (mm), II

Type: SVB	Manufacturer: Watts	Model: 008PCQT
Size: 3/8	Orientation: VUH	Meters:
Manual: 9	0.25% Pb: No	Spare Parts Only: No
Approved: 18-Nov-1998	Renewed: 18-Nov-2013	Bypass:
Shutoffs: (vv),xx,ooo,hhhh,pppp		

Type: SVB	Manufacturer: Watts	Model: 008PCQT
Size: 1/2	Orientation: VUH	Meters:
Manual: 9	0.25% Pb: No	Spare Parts Only: No
Approved: 18-Nov-1998	Renewed: 18-Nov-2013	Bypass:
Shutoffs: (vv),xx,ooo,hhhh,pppp,rrrr		

Type: SVB	Manufacturer: Watts	Model: 008PCQT
Size: 3/4	Orientation: VUH	Meters:
Manual: 9	0.25% Pb: No	Spare Parts Only: No
Approved: 19-Jun-2000	Renewed: 19-Jun-2015	Bypass:
Shutoffs: (vv),xx,ooo,hhhh,pppp,rrrr		

Type: SVB	Manufacturer: Watts	Model: 008PCQT
Size: 1	Orientation: VUH	Meters:
Manual: 9	0.25% Pb: No	Spare Parts Only: No
Approved: 19-Jun-2000	Renewed: 19-Jun-2015	Bypass:
Shutoffs: (vv),xx,ooo,hhhh,pppp,rrrr		

Type: SVB	Manufacturer: Watts	Model: LF008PCQT
Size: 3/8	Orientation: VUH	Meters:
Manual: 9	0.25% Pb: Yes	Spare Parts Only: No
Approved: 13-Mar-2015	Renewed:	Bypass:
Shutoffs: (vv),xx,ooo,hhhh,pppp		

Type: SVB	Manufacturer: Watts	Model: LF008PCQT
Size: 1/2	Orientation: VUH	Meters:
Manual: 9	0.25% Pb: Yes	Spare Parts Only: No
Approved: 13-Mar-2015	Renewed:	Bypass:
Shutoffs: (vv),xx,ooo,hhhh,pppp,rrrr		

Type: SVB	Manufacturer: Watts	Model: LF008PCQT
Size: 3/4	Orientation: VUH	Meters:
Manual: 9	0.25% Pb: Yes	Spare Parts Only: No
Approved: 13-Mar-2015	Renewed:	Bypass:
Shutoffs: (vv),xx,ooo,hhhh,pppp,rrrr		

Type: SVB
Size: 1
Manual: 9
Approved: 13-Mar-2015
Shutoffs: (vv),xx,ooo,hhhh,pppp,rrrr

Manufacturer: Watts
Orientation: VUH
0.25% Pb: Yes
Renewed:

Model: LF008PCQT
Meters:
Spare Parts Only: No
Bypass:

Type: SVB
Size: 3/8
Manual: 9
Approved: 09-Mar-2007
Shutoffs: (ooo),ii

Manufacturer: Wilkins
Orientation: VUH
0.25% Pb: No
Renewed: 09-Mar-2013

Model: 460
Meters:
Spare Parts Only: No
Bypass:

Type: SVB
Size: 1/2
Manual: 9
Approved: 09-Mar-2007
Shutoffs: (ooo),ii

Manufacturer: Wilkins
Orientation: VUH
0.25% Pb: No
Renewed: 09-Mar-2013

Model: 460
Meters:
Spare Parts Only: No
Bypass:

Type: SVB
Size: 3/4
Manual: 9
Approved: 08-May-2008
Shutoffs: (ooo),ii

Manufacturer: Wilkins
Orientation: VUH
0.25% Pb: No
Renewed: 08-May-2014

Model: 460
Meters:
Spare Parts Only: No
Bypass:

Type: SVB
Size: 1
Manual: 9
Approved: 08-May-2008
Shutoffs: (ooo),ii

Manufacturer: Wilkins
Orientation: VUH
0.25% Pb: No
Renewed: 08-May-2014

Model: 460
Meters:
Spare Parts Only: No
Bypass:

Type: SVB
Size: 3/8
Manual: 9
Approved: 21-Mar-2011
Shutoffs: (iiii)

Manufacturer: Wilkins
Orientation: VUH
0.25% Pb: Yes
Renewed: 21-Mar-2014

Model: 460XL
Meters:
Spare Parts Only: No
Bypass:

Type: SVB
Size: 1/2
Manual: 9
Approved: 21-Mar-2011
Shutoffs: (iiii)

Manufacturer: Wilkins
Orientation: VUH
0.25% Pb: Yes
Renewed: 21-Mar-2014

Model: 460XL
Meters:
Spare Parts Only: No
Bypass:

Type: SVB
Size: 3/4
Manual: 9
Approved: 21-Mar-2011
Shutoffs: (iii)

Manufacturer: Wilkins
Orientation: VUH
0.25% Pb: Yes
Renewed: 21-Mar-2014

Model: 460XL
Meters:
Spare Parts Only: No
Bypass:

Type: SVB
Size: 1
Manual: 9
Approved: 21-Mar-2011
Shutoffs: (iii)

Manufacturer: Wilkins
Orientation: VUH
0.25% Pb: Yes
Renewed: 21-Mar-2014

Model: 460XL
Meters:
Spare Parts Only: No
Bypass:

Manufacturers of Approved Backflow Prevention Assemblies

Ames Fire & Waterworks - A Watts Water Technologies Company
<http://www.amesfirewater.com/>
1427 N. Market Blvd., Ste. 9
Sacramento, CA 95834
(916) 928-0123

Hersey Meters
<http://www.herseymeters.com/>
10210 Statesville Blvd.
Cleveland, NC 27013
(800) 323-8584

Apollo/Conbraco Industries, Inc.
<http://www.apollovalves.com/>
P. O. Box 247
Matthews, NC 28105
(704) 847-9191

Watts - A Watts Water Technologies Company
<http://www.wattsreg.com/>
815 Chestnut Street
North Andover, MA 01845
(978) 688-1811

A.R.I. FLOW CONTROL ACCESSORIES
<http://www.arivalves.com>
Kibbutz Kfar Charuv
M.P. South Golan
ISRAEL, 12932
972-4-6761800 or 972-4-6761988

Wilkins Regulator Company
<http://www.zurn.com/operations/wilkins/pages/home.asp>
1747 Commerce Way
Paso Robles, CA 93446
(800) 817-8177

Arrowhead Brass
<http://www.arrowheadbrass.com/>
5147 Alhambra Ave.
Los Angeles, CA 90032
(323) 343-9790

Backflow Direct
www.backflowdirect.com
3290 Monier Circle, Ste. 300
Rancho Cordova, CA 95742
(916) 760-4524

Cash Acme
<http://www.cashacme.com>
2400 7th Avenue S.W.
Cullman, Alabama 35055
(256) 775-8200

Cla-Val Company
<http://www.cla-val.com/>
P. O. Box 1325
Newport Beach, CA 92659-0325
(949) 722-4800

FEBCO - A Watts Water Technologies Company
<http://www.febcoonline.com>
P. O. Box 8070
Fresno, CA 93747
(559) 252-0791

Flomatic
<http://www.flomatic.com/>
15 Pruy'n's Island Dr.
Glen Falls, NY 12801-4424
(800) 833-2040

Table 4 - 4 (Continued)

Description of fixture, equipment or use of water	Assessed Health Hazard	Minimum Protection at Fixture	Additional Premise or Internal Isolation*
• Chemical feeder for commercial cleaners	high	AG/RPBA	
• Chemical feeder for commercial cleaners	high	AVB/PVBA	RPBA/DCV A
• Chlorinators	high	RPBA	
• Commercial coffee urns	low	AG/AVB	
• Computer cooling lines	high	RPBA	
• Condensate tanks	high	RPBA	
• Commercial cooking kettles	low	AG/AVB	
• Cooling towers	high	AG/RPBA	
• Decorative ponds	high	AG/RPBA	
• Degreasing equipment	high	RPBA	
• Dental equipment/cuspidors	high	RPBA	RPBA
• Dialysis equipment	high	RPBA	
• Dishwashers	low	AVB	
• Drinking fountains	low	AG	
• Dye vats and tanks	high	AG/RPBA	
• Etching tanks	high	AG/RPBA	RPBA
• Fermenting tanks	high	AG/RPBA	RPBA
• Fertilizer injection	high	RPBA	
• Film processors	high	RPBA	
• Fire dept. connection	low	DCVA	
• Fire sprinkler system w/o chemical addition	low	DCVA/DCDA	
• Fire sprinkler system with chemical addition	high	RPBA/RPDA	
• Floor drains	high	AG	
• Flushing floor drains	high	AVB	DCVA
• Fume hoods (lab)	high	AVB	RPBA
• Garbage can washers	high	RPBA	

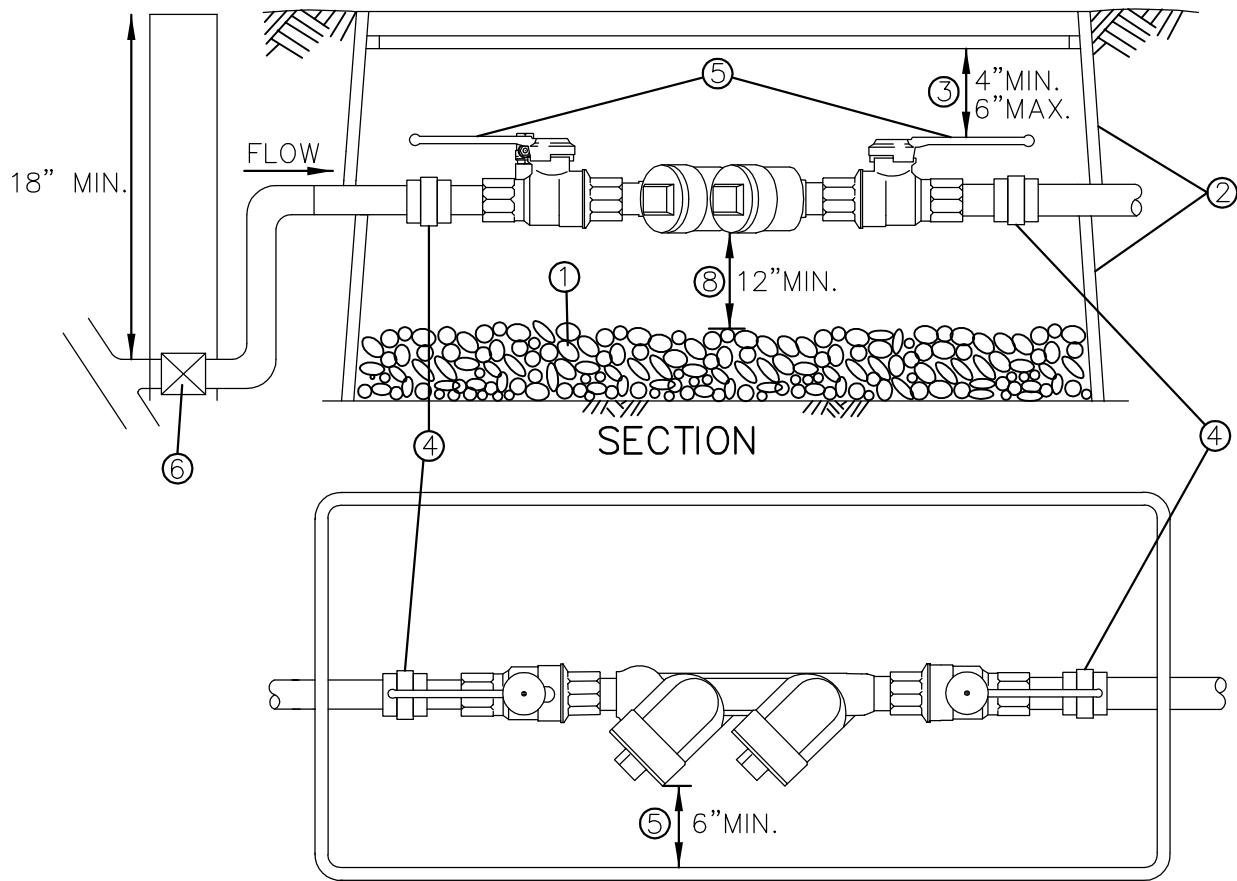
Table 4 - 4 (Continued)

Description of fixture, equipment or use of water	Assessed Health Hazard	Minimum Protection at Fixture	Additional Premise or Internal Isolation *
• Heat exchangers other than double wall with leak path	high	RPBA	
• Heat pumps	high	RPBA	
• High pressure washers w/o chemical injection	low	DCVA	
• Hose bibbs (residential)	low	AVB/HBVB	
• Hose bibbs (industrial)	varies	AVB/HBVB	RPBA/DCVA
• Hoses, kitchen rinse	low	AVB	
• Hot tubs	high	AG/RPBA	
• Commercial hot water heating boilers	high	RPBA	
• Hydrotherapy baths	high	RPBA	
• Ice makers	high	AG/RPBA	
• Industrial fluid systems	high	RPBA	
• Intertied (looped) services	low	DCVA	
• Irrigation system (lawn) with chemical addition	high	RPBA	
• Irrigation system (lawn) w/o chemical addition	low	PVBA/DCVA	
• Janitor sinks	low	AVB/HBVB	
• Kitchen equipment	low	AVB	
• Laboratory equipment	high	AVB/LFVB	RPBA
• Laundry machines, commercial	high	RPBA	
• Livestock drinking tanks	high	AG/AVB	DCVA
• Make-up tanks	high	AG/RPBA	
• Mobile carpet cleaners	high	RPBA	
• Pesticide applicator trucks	high	AG/RPBA	
• Photo developing sinks/tanks	high	RPBA	
• Private fire hydrants	low	DCVA	
• Pump prime lines	high	RPBA	

Table 4 - 4 (Continued)

Description of fixture, equipment or use of water	Assessed Health Hazard	Minimum Protection at Fixture	Additional Premise or Internal Isolation*
• Radiator flushing equipment	high	RPBA	
• Recreational vehicle dump station	severe	AG	RPBA
• Sewer connected equipment	severe	AG	
• Sewer flushing	severe	AG	
• Spas	high	AG/RPBA	
• Steam generating equipment	high	RPBA	
• Sterilizers	high	RPBA	
• Stills	high	RPBA	
• Sumps	high	AG	
• Swimming pools	high	AG/RPBA	
• Trap primers	high	AG	
• Used or gray water systems	high	RPBA	
• X-ray equipment	high	RPBA	

The information in Table 4-4 may differ from the backflow prevention requirements for individual plumbing fixtures found in plumbing codes. For public health protection within a customer's premise, the plumbing code having jurisdiction governs (see Chapter 9). Table 4-4 is provided to illustrate only some of the health hazards found in plumbing systems. This table should be used by water purveyors in assessing the degree of hazard a customer's plumbing system places upon the purveyor's water distribution system. Deficiencies in backflow prevention within the customer's premise, should be compensated for through the selection of an appropriate assembly for premise isolation.



PLAN

- ① 1" ROUND WASHED GRAVEL BY 6" DEEP ON BOTTOM OF BOX
- ② ENCLOSE 2" & SMALLER D.C.V.A. IN TWO METER BOXES STACKED ON TOP OF EACH OTHER OR, OVERSIZED BOX. MUST HAVE REMOVABLE COVER. BOXES TO BE LOCATED IN SIDEWALK AND AREAS WITH VEHICULAR TRAFFIC SHALL BE METAL, EQUAL TO OLYMPIC FOUNDRY SM30. BOXES IN OTHER NON-TRAFFIC AREAS TO BE CARSON INDUSTRIES 1730-18 BCFXL METER BOX WITH 1730 COVER.
- ③ MAXIMUM OF 6" DISTANCE BETWEEN UNDERSIDE OF LID AND HIGHEST POINT OF DEVICE.
- ④ (2) UNIONS.
- ⑤ WHEN TEST-COCKS ARE FACING SIDWAYS THERE MUST BE A 6" MIN. CLEARANCE BETWEEN THEM AND SIDE OF BOX.
- ⑥ PER PLUMBING CODE REQUIREMENT, IRRIGATION SYSTEMS MUST HAVE SHUT OFF INSTALLED AS SHOWN. FEMALE FITTINGS ARE PROHIBITED IN CONJUNCTION WITH METALLIC MALE FITTINGS.

NOTES:

1. ALL INSTALLATIONS MUST MEET MINIMUM STANDARDS OF THE UNIFORM PLUMBING CODE AND WSDOH APPROVED INSTALLATIONS LIST.
2. TESTING IS REQUIRED BY A WASHINGTON STATE DEPARTMENT OF HEALTH CERTIFIED BACKFLOW ASSEMBLY TESTER UPON INSTALLATION AND ANNUALLY THEREAFTER. ASSEMBLY TO BE MAINTAINED BY OWNER.

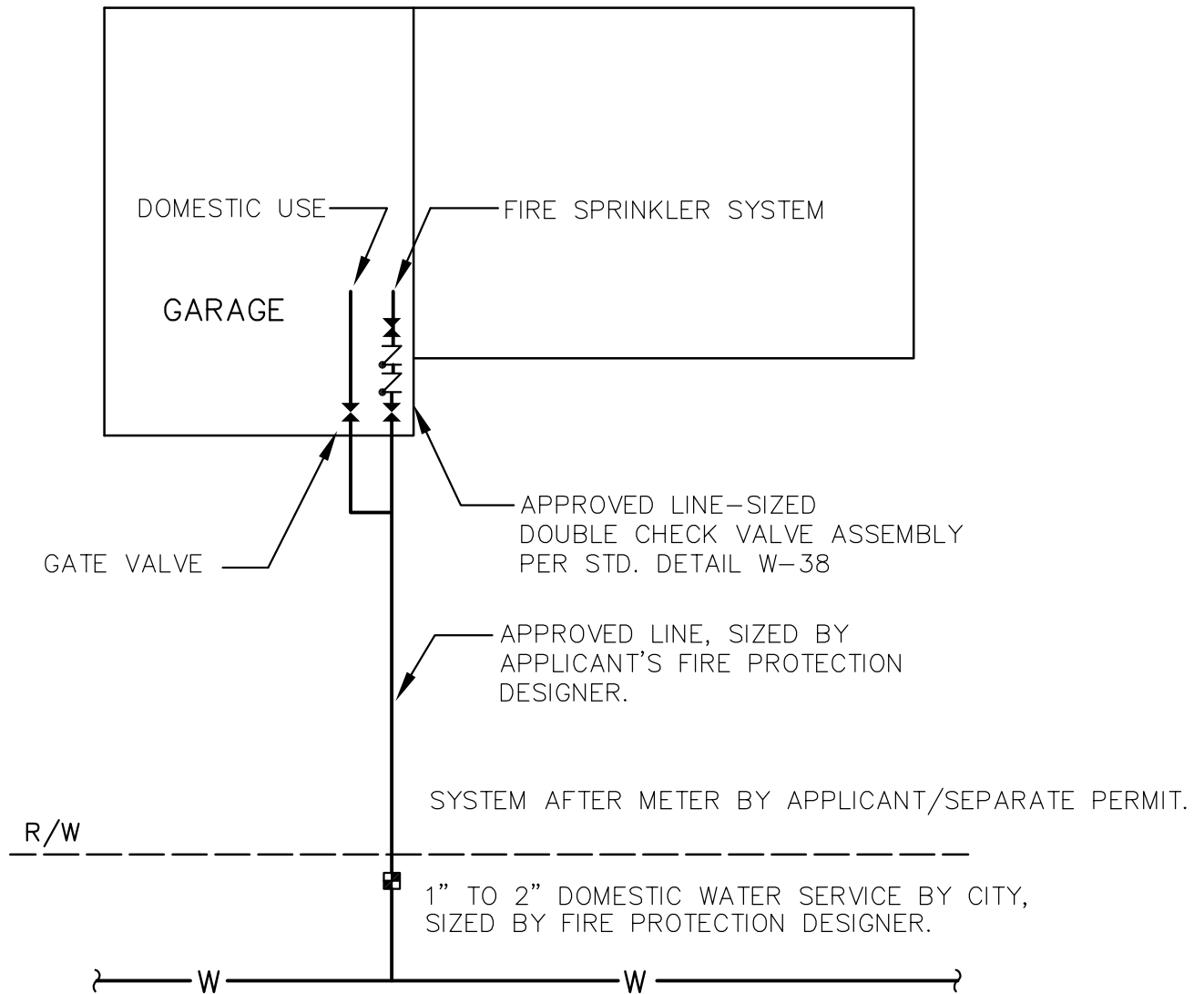


City of
Bellevue

WATER UTILITY

TITLE

1" TO 2" DOUBLE CHECK VALVE
ASSEMBLY FOR IRRIGATION SYSTEMS
(OUTSIDE INSTALLATION)



NOTE:

1. TESTING IS REQUIRED BY A WASHINGTON STATE DEPARTMENT OF HEALTH CERTIFIED BACKFLOW ASSEMBLY TESTER UPON INSTALLATION AND ANNUALLY THEREAFTER. ASSEMBLY TO BE MAINTAINED BY OWNER.



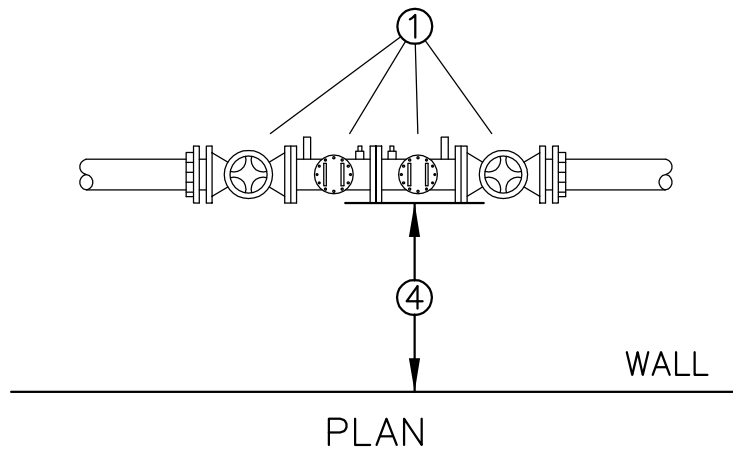
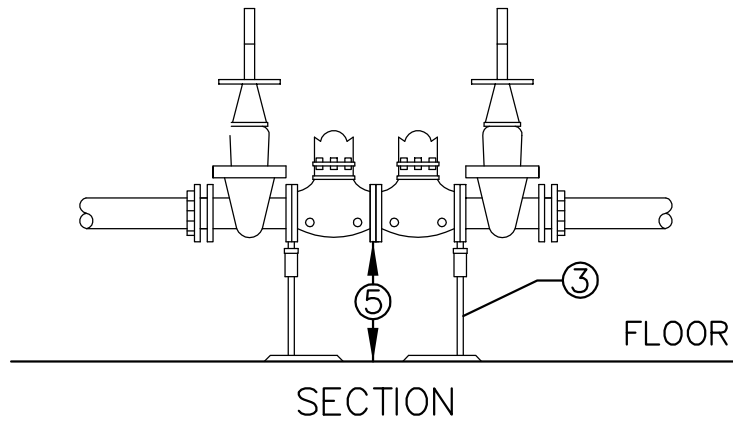
City of
Bellevue

WATER UTILITY

TITLE

INSIDE DCVA INSTALLATION FOR
RESIDENTIAL FIRE SPRINKLER SYSTEMS

NO. W-37



NOTES:

- ① LINE-SIZED WA STATE APPROVED DOUBLE CHECK VALVE ASSEMBLY. THE D.C.V.A. INCLUDES (2) RESILIENT-SEATED SHUT-OFF VALVES AND (4) RESILIENT-SEATED TEST-COCKS.
- ② THE D.C.V.A. MUST BE INSTALLED PER WSDOH APPROVED INSTALLATIONS LIST.
- ③ (2) SUPPORTS (EITHER WALL OR FLOOR) ONE ON EACH SIDE OF ASSEMBLY, MUST FIRMLY ANCHOR DEVICE. REQUIRED FOR 2 1/2" AND LARGER LINE SIZE.
- ④ MUST PROVIDE A MINIMUM OF 6" SIDE CLEARANCE BETWEEN D.C.V.A. AND WALL OR OBSTRUCTION.
- ⑤ CLEARANCE BETWEEN FLOOR AND ASSEMBLY MUST BE A MINIMUM OF 12" AND A MAXIMUM OF 5'.
- ⑥ TESTING IS REQUIRED BY A WASHINGTON STATE DEPARTMENT OF HEALTH CERTIFIED BACKFLOW ASSEMBLY TESTER UPON INSTALLATION AND ANNUALLY THEREAFTER. ASSEMBLY TO BE MAINTAINED BY OWNER.
- ⑦ PROTECT AGAINST FREEZING OR DAMAGE. USE HEAT-TAPE IF AREA IS SUBJECT TO FREEZING.
- ⑧ INTERIOR WATER APPURTENANCES MUST CONFORM TO UNIFORM PLUMBING CODE REQUIREMENTS.
- ⑨ FDC TO BE LOCATED DOWNSTREAM OF DCVA (COMMERCIAL ONLY).

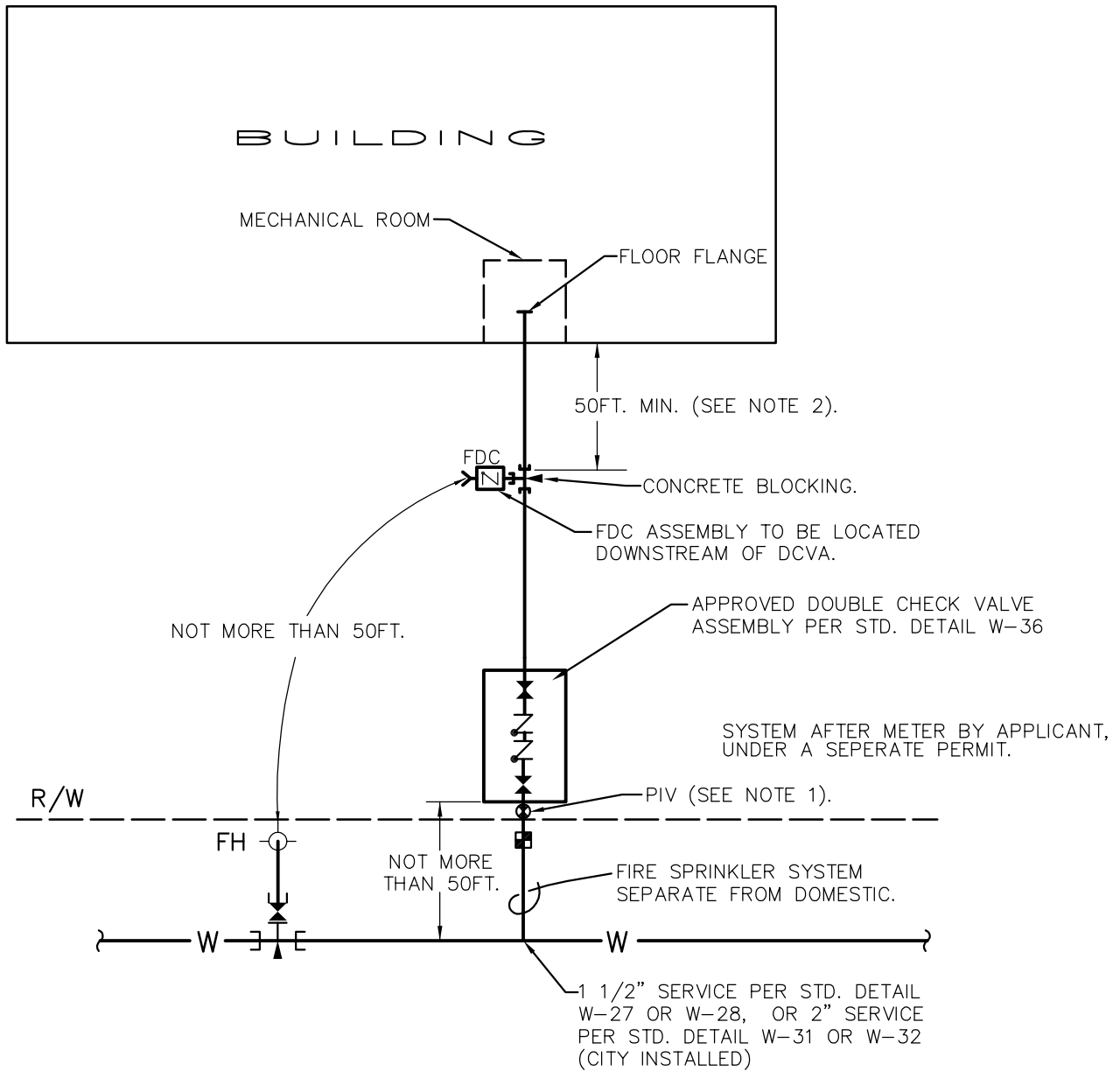


City of
Bellevue

WATER UTILITY

TITLE

DOUBLE CHECK
VALVE ASSEMBLY
(INSIDE INSTALLATION)



NOTES:

1. PIV MUST BE LOCATED ON THE FIRELINE BETWEEN THE R/W LINE AND THE FDC.
2. FIRE MARSHALL SHALL APPROVE FDC LOCATION IF LESS THAN 50FT. FROM STRUCTURE.
3. TESTING IS REQUIRED BY A WASHINGTON STATE DEPARTMENT OF HEALTH CERTIFIED BACKFLOW ASSEMBLY TESTER UPON INSTALLATION AND ANNUALLY THEREAFTER. ASSEMBLY TO BE MAINTAINED BY OWNER.

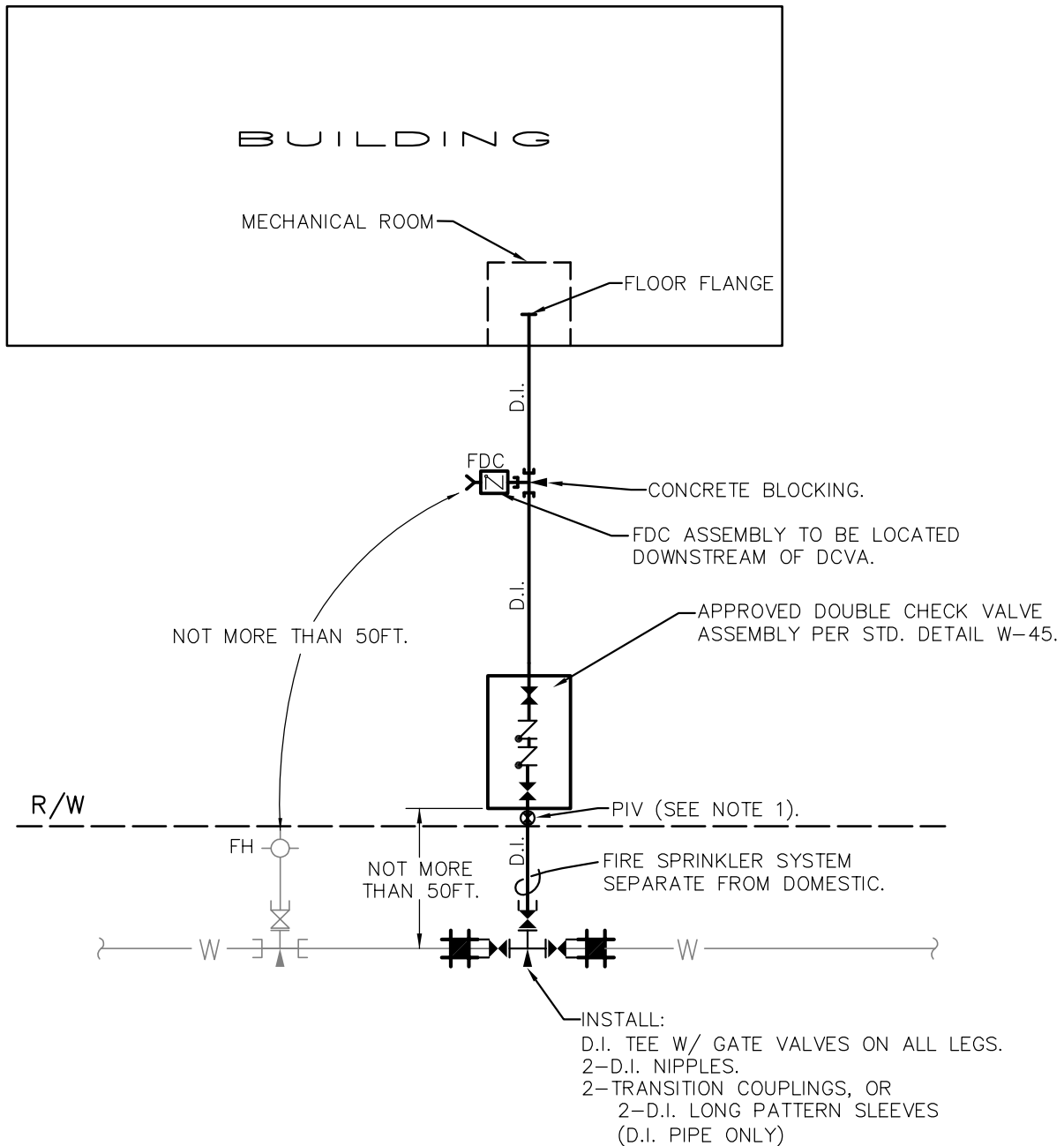


**City of
Bellevue**

WATER UTILITY

TITLE

OUTSIDE DCVA INSTALLATION FOR
1 1/2" & 2" COMMERCIAL FIRE
SPRINKLER SYSTEMS



NOTES:

1. WHERE POSSIBLE, PIV SHALL BE LOCATED ON THE FIRELINE BETWEEN THE R/W LINE AND THE FDC.
2. FIRE MARSHALL SHALL APPROVE FDC LOCATION.
3. TESTING IS REQUIRED BY A WASHINGTON STATE DEPARTMENT OF HEALTH CERTIFIED BACKFLOW ASSEMBLY TESTER UPON INSTALLATION AND ANNUALLY THEREAFTER. ASSEMBLY TO BE MAINTAINED BY OWNER.



City of
Bellevue

WATER UTILITY

TITLE

OUTSIDE DCVA INSTALLATION FOR
3" AND LARGER COMMERCIAL FIRE
SPRINKLER SYSTEMS

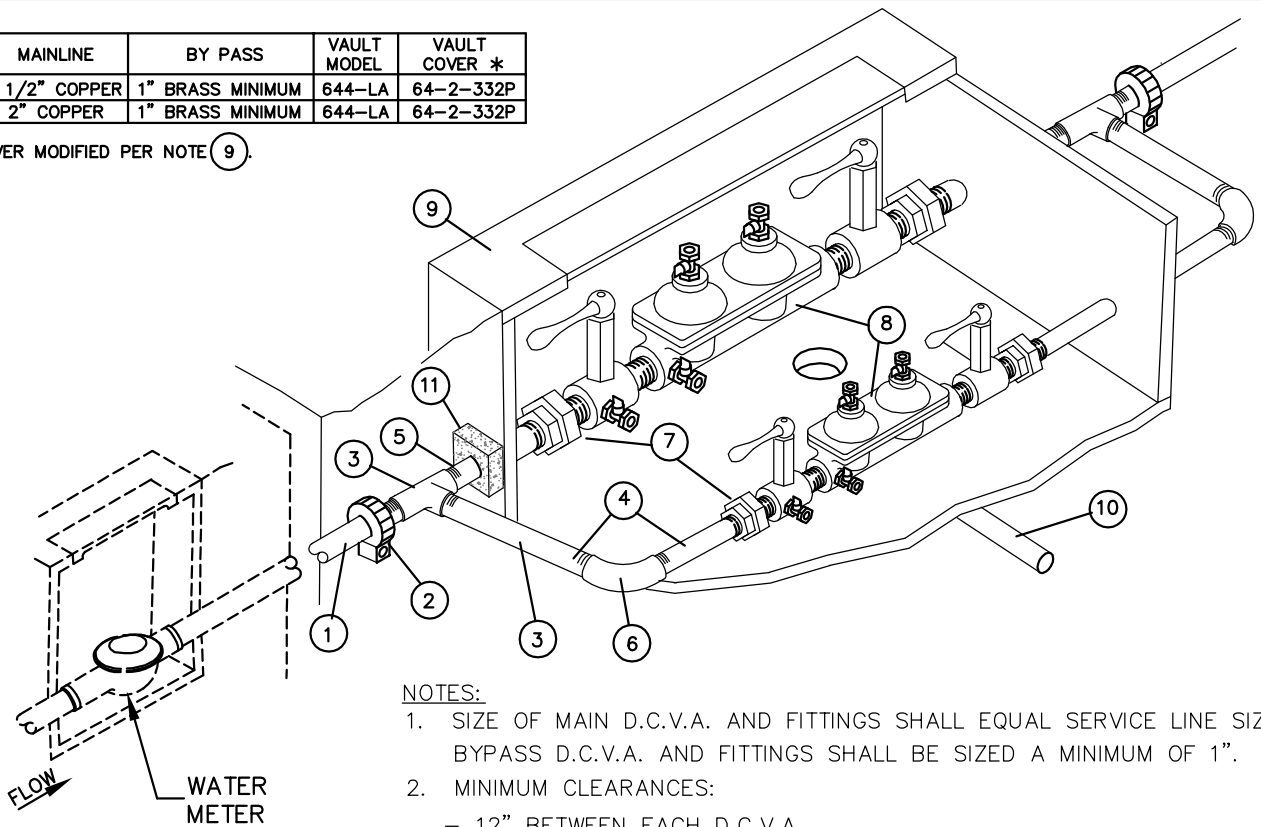
JANUARY 2013

NO SCALE

NO. W-40

METER SIZE	MAINLINE	BY PASS	VAULT MODEL	VAULT COVER *
1 1/2"	1 1/2" COPPER	1" BRASS MINIMUM	644-LA	64-2-332P
2"	2" COPPER	1" BRASS MINIMUM	644-LA	64-2-332P

* COVER MODIFIED PER NOTE 9.



NOTES:

1. SIZE OF MAIN D.C.V.A. AND FITTINGS SHALL EQUAL SERVICE LINE SIZE. BYPASS D.C.V.A. AND FITTINGS SHALL BE SIZED A MINIMUM OF 1".
2. MINIMUM CLEARANCES:
 - 12" BETWEEN EACH D.C.V.A.
 - 12" BETWEEN D.C.V.A. AND SIDE OF VAULT.
 - 12" BETWEEN D.C.V.A. AND VAULT FLOOR.
 - 24" SOIL COVER OVER SERVICE LINE.
3. INSTALL PLUGS IN ALL TEST COCKS.
4. TESTING IS REQUIRED BY A WASHINGTON STATE DEPARTMENT OF HEALTH CERTIFIED BACKFLOW ASSEMBLY TESTER UPON INSTALLATION AND ANNUALLY THEREAFTER. ASSEMBLY TO BE MAINTAINED BY OWNER.
5. BRASS FITTINGS.
6. WHERE ACCESS OPENING DOES NOT EXPOSE SHUT OFF VALVES, MIN. 18" CLEARANCE SHALL BE REQUIRED BETWEEN TOP OF VALVE AND UNDERSIDE OF VAULT COVER.

- ① COPPER TUBING, TYPE K. *
- ② COUPLING, MALE IRON PIPE THREAD BY PACK JOINT (COMPRESSION FITTING) FOR COPPER, MUELLER NO. H-15428 OR EQUAL. *
- ③ BRASS TEE, MAIN LINE SIZE x 1", FEMALE IRON PIPE THREAD. *
- ④ BRASS NIPPLE, LENGTH TO FIT, 1", MALE IRON PIPE THREAD. *
- ⑤ BRASS NIPPLE, MAIN LINE SIZE, LENGTH TO FIT, MALE IRON PIPE THREAD. *
- ⑥ BRASS ELBOW, 1", FEMALE IRON PIPE THREAD. *
- ⑦ BRASS UNION, MALE x FEMALE IRON PIPE THREAD. *
- ⑧ WASHINGTON STATE APPROVED DOUBLE CHECK VALVE ASSEMBLY. MUST BE INSTALLED IN APPROVED ORIENTATION.
- ⑨ CONCRETE VAULT WITH 2 LOCKING ALUMINUM LW HATCH DOORS (PART NO. HHD-36"x72"), RATED FOR H-30 LOADING, WITH SLIP RESISTANT TREATMENT PER SECTION W4-17 OF THE ENGINEERING STANDARDS. COVER TO READ "WATER". SIZE VAULT TO PROVIDE MINIMUM CLEARANCES LISTED IN NOTE 2.
- ⑩ DRAIN, SLOPE TO DAYLIGHT OR STORM DRAINAGE SYSTEM (DO NOT CONNECT TO SANITARY SEWER). WIRE MESH RODENT SCREEN OVER DRAIN.
- ⑪ VAULT PENETRATION THRUST BLOCK SEE STANDARD DETAIL W-56.

* TYPICAL, EACH SIDE OF D.C.V.A.



City of
Bellevue

WATER UTILITY

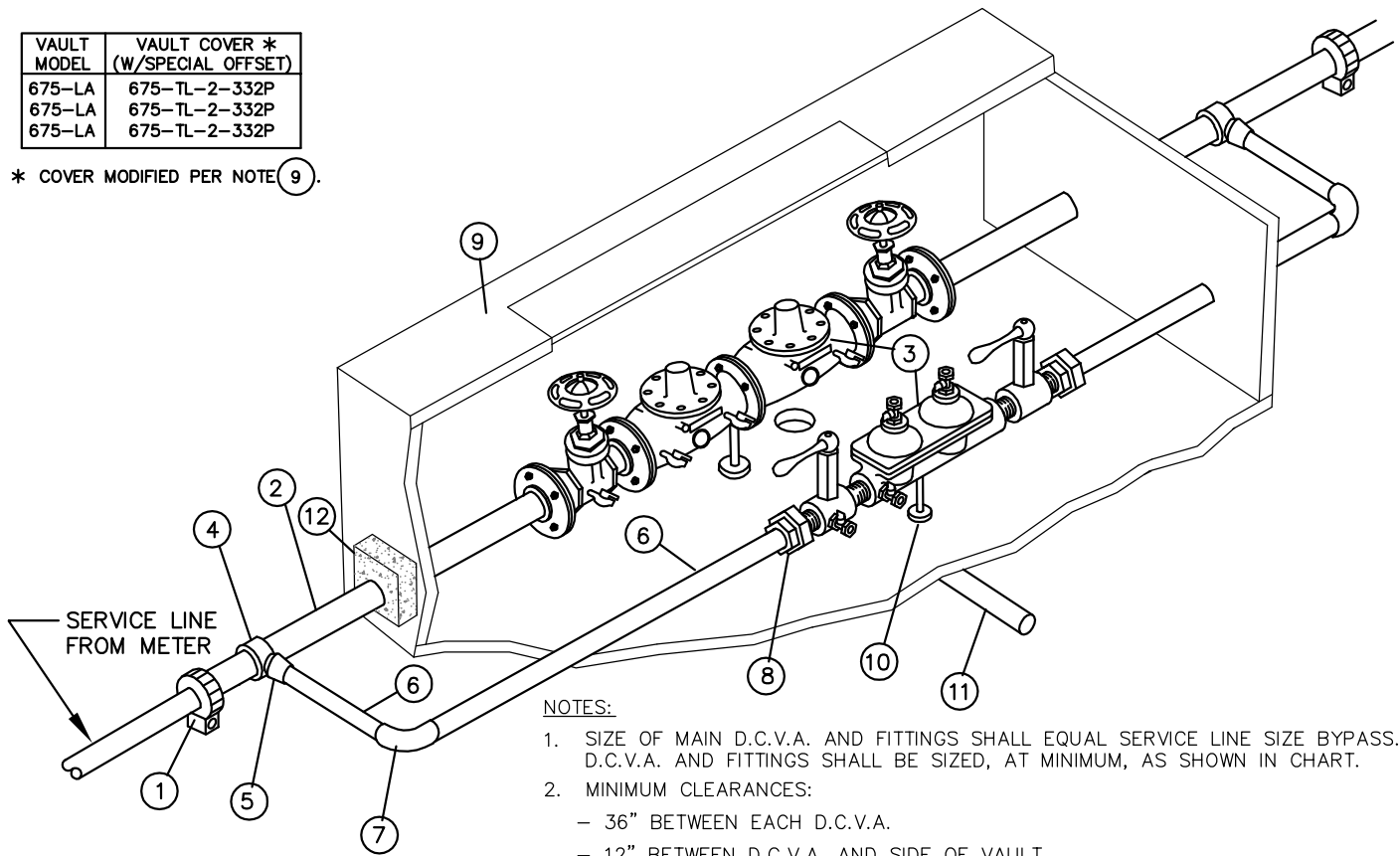
TITLE

1 1/2" AND 2" DOMESTIC DOUBLE CHECK VALVE ASSEMBLY FOR CONTINUOUS SUPPLY (OUTSIDE INSTALLATION)

No. W-41

Vault Model	Vault Cover * (W/SPECIAL OFFSET)
675-LA	675-TL-2-332P
675-LA	675-TL-2-332P
675-LA	675-TL-2-332P

* COVER MODIFIED PER NOTE 9.



NOTES:

1. SIZE OF MAIN D.C.V.A. AND FITTINGS SHALL EQUAL SERVICE LINE SIZE BYPASS. D.C.V.A. AND FITTINGS SHALL BE SIZED, AT MINIMUM, AS SHOWN IN CHART.
2. MINIMUM CLEARANCES:
 - 36" BETWEEN EACH D.C.V.A.
 - 12" BETWEEN D.C.V.A. AND SIDE OF VAULT.
 - 12" BETWEEN D.C.V.A. AND VAULT FLOOR.
 - 24" SOIL COVER OVER SERVICE LINE.
3. INSTALL PLUGS IN ALL TEST COCKS.
4. TESTING IS REQUIRED BY A WASHINGTON STATE DEPARTMENT OF HEALTH CERTIFIED BACKFLOW ASSEMBLY TESTER UPON INSTALLATION AND ANNUALLY THEREAFTER. ASSEMBLY TO BE MAINTAINED BY OWNER.
5. PROVIDE LADDER AND LADDER-UP PER DETAIL W-19.
6. WHERE ACCESS OPENING DOES NOT EXPOSE SHUT OFF VALVES MIN. 18" CLEARANCE SHALL BE REQUIRED BETWEEN TOP OF VALVE AND UNDERSIDE OF VAULT COVER.
7. MINIMUM 2' OF LEVEL, UNOBSTRUCTED AREA AROUND HATCHES.
8. LOCATE HATCH PER DETAIL W-17.

METER SIZE	MAIN-LINE	BY PASS
3"	3"D.I.	1 1/2" COPPER MINIMUM
4"	4"D.I.	1 1/2" COPPER MINIMUM
6"	6"D.I.	2" COPPER MINIMUM

- 1 FLEX COUPLING, ROCKWELL 441 OR EQUAL. *
- 2 D.I. PIPE, P.E. X FL., LENGTH TO FIT. *
- 3 STATE APPROVED INTERNALLY LOADED DOUBLE CHECK VALVE ASSEMBLY, COMPLETE WITH (2) FULL FLOW BALL VALVE SHUT-OFF VALVES AND TEST COCKS. *
- 4 DOUBLE STRAP SERVICE SADDLE, ROMAC 202S WITH IPS TAP, OR EQUAL. *
- 5 COUPLING, OUTSIDE IRON PIPE THREAD TO COPPER COMPRESSION CONNECTION, MUELLER H-15428, OR EQUAL. *
- 6 COPPER TUBING, TYPE K. *
- 7 1/4 BEND COUPLING, COPPER TO COPPER, MUELLER H-15526, OR EQUAL. *
- 8 COUPLING, COPPER COMPRESSION CONNECTION BY FEMALE IRON PIPE THREAD, MUELLER H-15451, OR EQUAL. *
- 9 CONCRETE VAULT WITH 2 LOCKING ALUMINUM LW HATCH DOORS (PART NO. HHD-36"x72"), RATED FOR H-30 LOADING, WITH SLIP RESISTANT TREATMENT PER SECTION W4-17 OF THE ENGINEERING STANDARDS. COVER TO READ "WATER". SIZE VAULT TO PROVIDE MINIMUM CLEARANCES LISTED IN NOTE 2.
- 10 ADJUSTABLE PIPE STANCHIONS, BOLTED TO FLOOR.
- 11 DRAIN, SLOPE TO DAYLIGHT OR STORM DRAINAGE SYSTEM (DO NOT CONNECT TO SANITARY SEWER). WIRE MESH RODENT SCREEN OVER DRAIN.
- 12 VAULT PENETRATION THRUST BLOCK SEE STANDARD DETAIL W-56.

* TYPICAL, EACH SIDE OF D.C.V.A.



City of Bellevue

WATER UTILITY

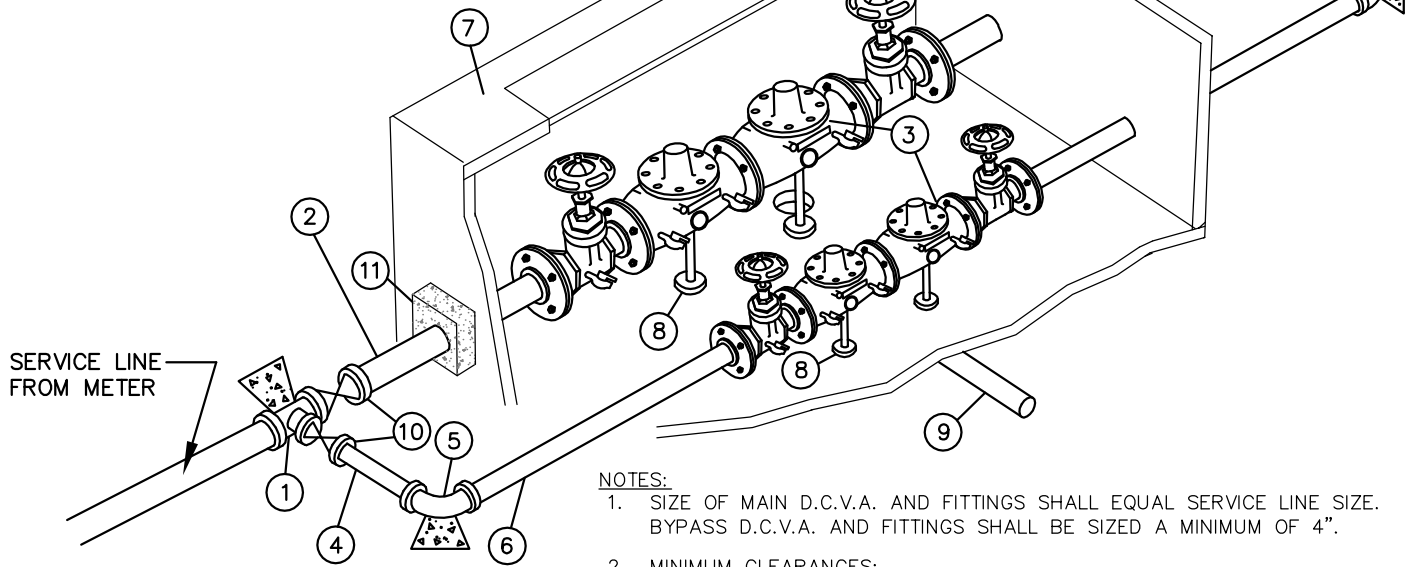
TITLE

3" TO 6" DOMESTIC DOUBLE CHECK VALVE ASSEMBLY FOR CONTINUOUS SUPPLY (OUTSIDE INSTALLATION)

NO. W-42

METER SIZE	MAINLINE	BY PASS	VAULT MODEL	VAULT COVER * (W/SPECIAL OFFSET)
8"	8" D.I.	MIN 4" D.I.	810-LA	810-TL-2-332P
10"	10" D.I.	MIN 4" D.I.	810-LA	810-TL-2-332P

* COVER MODIFIED PER NOTE ⑦.



NOTES:

1. SIZE OF MAIN D.C.V.A. AND FITTINGS SHALL EQUAL SERVICE LINE SIZE. BYPASS D.C.V.A. AND FITTINGS SHALL BE SIZED A MINIMUM OF 4".
2. MINIMUM CLEARANCES:
 - 36" BETWEEN EACH D.C.V.A.
 - 12" BETWEEN D.C.V.A. AND SIDE OF VAULT.
 - 12" BETWEEN D.C.V.A. AND VAULT FLOOR.
 - 24" SOIL COVER OVER SERVICE LINE.
3. INSTALL PLUGS IN ALL TEST COCKS.
4. TESTING IS REQUIRED BY A WASHINGTON STATE DEPARTMENT OF HEALTH CERTIFIED BACKFLOW ASSEMBLY TESTER UPON INSTALLATION AND ANNUALLY THEREAFTER. ASSEMBLY TO BE MAINTAINED BY OWNER.
5. PROVIDE LADDER AND LADDER-UP PER DETAIL W-19.
6. WHERE ACCESS OPENING DOES NOT EXPOSE SHUT OFF VALVES MIN. 24" CLEARANCE SHALL BE REQUIRED BETWEEN TOP OF VALVE AND UNDERSIDE OF VAULT COVER.
7. ALL FITTINGS OUTSIDE VAULT SHALL INCLUDE THRUST BLOCKING AND JOINT RESTRAINT DEVICES.
8. MINIMUM 2' OF LEVEL, UNOBSTRUCTED AREA AROUND HATCHES.
9. LOCATE HATCH PER DETAIL W-17.

- ① TEE, MJ, MAINLINE SIZE BY 4" MINIMUM BRANCH. *
- ② D.I. PIPE, P.E. X FL., LENGTH TO FIT. *
- ③ STATE APPROVED INTERNALLY LOADED DOUBLE CHECK VALVE ASSEMBLY, COMPLETE WITH (2) FULL FLOW BALL VALVE SHUT-OFF VALVES AND TEST COCKS.
- ④ 4" MINIMUM DI PIPE, PE x PE, LENGTH TO FIT. *
- ⑤ 4" MINIMUM 90° BEND, MJ. *
- ⑥ 4" MINIMUM DI PIPE, PE x FL, LENGTH TO FIT. *
- ⑦ CONCRETE VAULT WITH 2 LOCKING ALUMINUM LW HATCH DOORS (PART NO. HHD-36"x72"), RATED FOR H-30 LOADING, WITH SLIP RESISTANT TREATMENT PER SECTION W4-17 OF THE ENGINEERING STANDARDS. COVER TO READ "WATER". SIZE VAULT TO PROVIDE MINIMUM CLEARANCES LISTED IN NOTE 2.
- ⑧ ADJUSTABLE PIPE STANCHIONS, BOLTED TO FLOOR.
- ⑨ DRAIN, SLOPE TO DAYLIGHT OR STORM DRAINAGE SYSTEM (DO NOT CONNECT TO SANITARY SEWER). WIRE MESH RODENT SCREEN OVER DRAIN.
- ⑩ GATE VALVE, F.L.xM.J. (WITH VALVE BOX AND COVER).
- ⑪ VAULT PENETRATION THRUST BLOCK SEE STANDARD DETAIL W-56 FOR BOTH MAINLINE AND BYPASS.

* TYPICAL, EACH SIDE OF D.C.V.A.



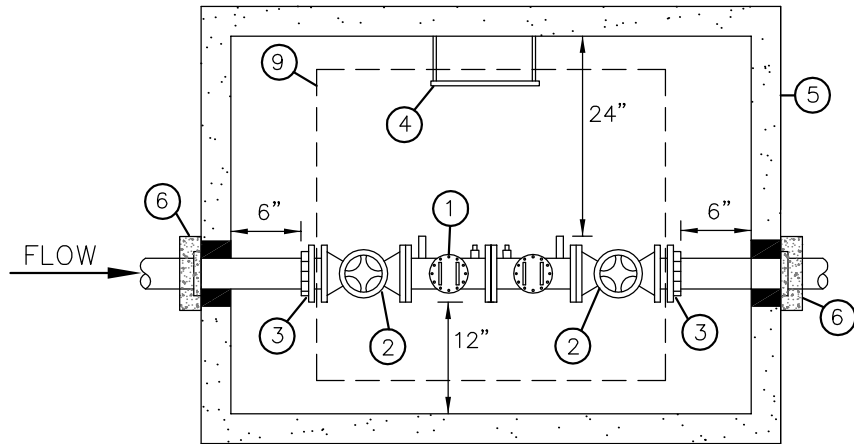
City of
Bellevue

WATER UTILITY

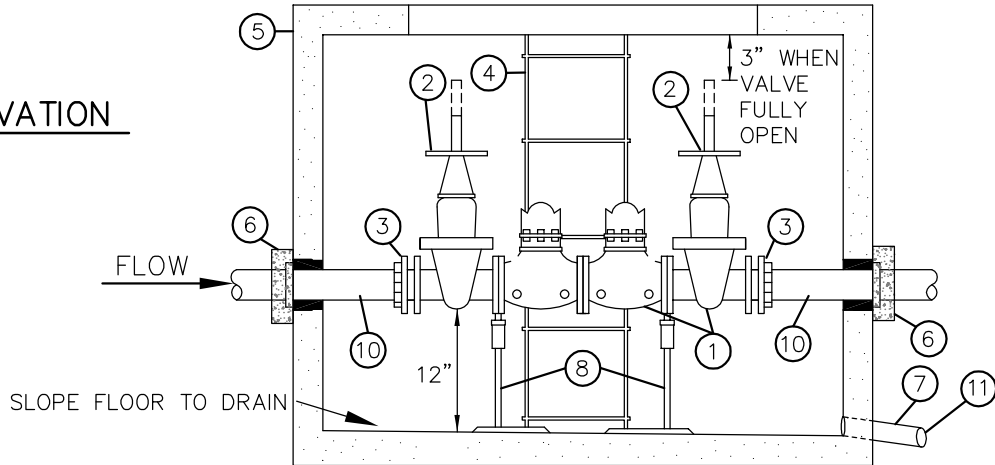
TITLE 8" AND 10" DOMESTIC DOUBLE CHECK VALVE ASSEMBLY FOR CONTINUOUS SUPPLY (OUTSIDE INSTALLATION)

NO. W-43

PLAN



ELEVATION



- ① STATE APPROVED DOUBLE CHECK VALVE ASSEMBLY, COMPLETE WITH (2) RESILIENT SEATED O.S.&Y. VALVES AND (4) RESILIENT SEATED TEST COCKS.
- ② EACH VALVE SHALL BE MARKED WITH MODEL NUMBER WITH DESIGNATION OF RESILIENT SEAT: SUCH AS "RS" OR "R", WHICH MUST BE CAST, MOLDED, OR AFFIXED ONTO THE BODY OR BONNET OF THE VALVE. ALL FERROUS BODIED VALVES SHALL BE COATED WITH A MINIMUM OF 4MLS. OF EPOXY OR EQUIVALENT POLYMERIZED COATING.
- ③ MEGAFLANGE
- ④ ONE GALVANIZED STEEL LADDER TO BE SECURED TO VAULT WITH LADDER-UP (BILCO MODEL LU-2). LADDER TO BE ATTACHED TO VAULT PER STANDARD DETAIL W-19.
- ⑤ CONCRETE VAULT WITH 2 LOCKING ALUMINUM LW HATCH DOORS (PART NO. HHD-36"x72"), RATED FOR H-30 LOADING WITH SLIP RESISTANT TREATMENT PER SECTION W4-17 OF THE ENGINEERING STANDARDS. COVER TO READ "WATER". VAULT SHALL BE EQUAL TO UTILITY VAULT CO. MODEL LISTED IN TABLE BELOW.
- ⑥ WATER TIGHT GROUT. RESTRAIN INLET/OUTLET PIPE WITH MEGALUG MID-SPAN RESTRAINT AND THRUST BLOCK ADJACENT TO VAULT SEE STANDARD DETAIL W-56.
- ⑦ DRAIN, SLOPE TO DAYLIGHT OR STORM DRAINAGE SYSTEM, MINIMUM DIAMETER 6".
- ⑧ TWO ADJUSTABLE PIPE STANCHIONS, BOLTED TO FLOOR.
- ⑨ ACCESS TO BE CENTERED OVER ASSEMBLY.
- ⑩ CL. 52 D.I., PEXFL WITH RETAINER GLANDS.
- ⑪ INSTALL WIRE MESH RODENT SCREEN OVER DRAIN OUTLET.

NOTES:

- 1. TESTING IS REQUIRED BY A WASHINGTON STATE DEPARTMENT OF HEALTH CERTIFIED BACKFLOW ASSEMBLY TESTER UPON INSTALLATION AND ANNUALLY THEREAFTER. ASSEMBLY TO BE MAINTAINED BY OWNER.
- 2. TEE AND GATE VALVES REQUIRED ON MAIN.
- 3. ALL CLEARANCES SHOWN ARE MINIMUM.
- 4. VAULTS SHALL NOT BE INSTALLED IN AREAS WITH VEHICULAR TRAFFIC.
- 5. IN CENTRAL BUSINESS DISTRICT, 3" THROUGH 6" ASSEMBLIES SHALL CONNECT TO WATER MAIN WITH 8" PIPE.
- 6. MINIMUM 2' OF LEVEL, UNOBSTRUCTED AREA AROUND HATCHES.

SIZE	MIN. VAULT SIZE (INSIDE)			UTIL. VAULT CO. MODEL	UTIL. VAULT CO. COVER *
	W	L	H		
3"	3'-8"	4'-8"	3'-3"	644-LA	64-2-332P
4"	3'-10"	5'-3"	3'-8"	575-LA	57TL-2-332P
6"	4'-0"	6'-6"	4'-5"	577-LA	57TL-20332P
8"	4'-5"	7'-8"	5'-3"	4484-LA	4484-TL2-332P
10"	4'-8"	8'-8"	6'-1"	5106-LA	5106-TL3-332

* COVER MODIFIED PER NOTE ⑤.



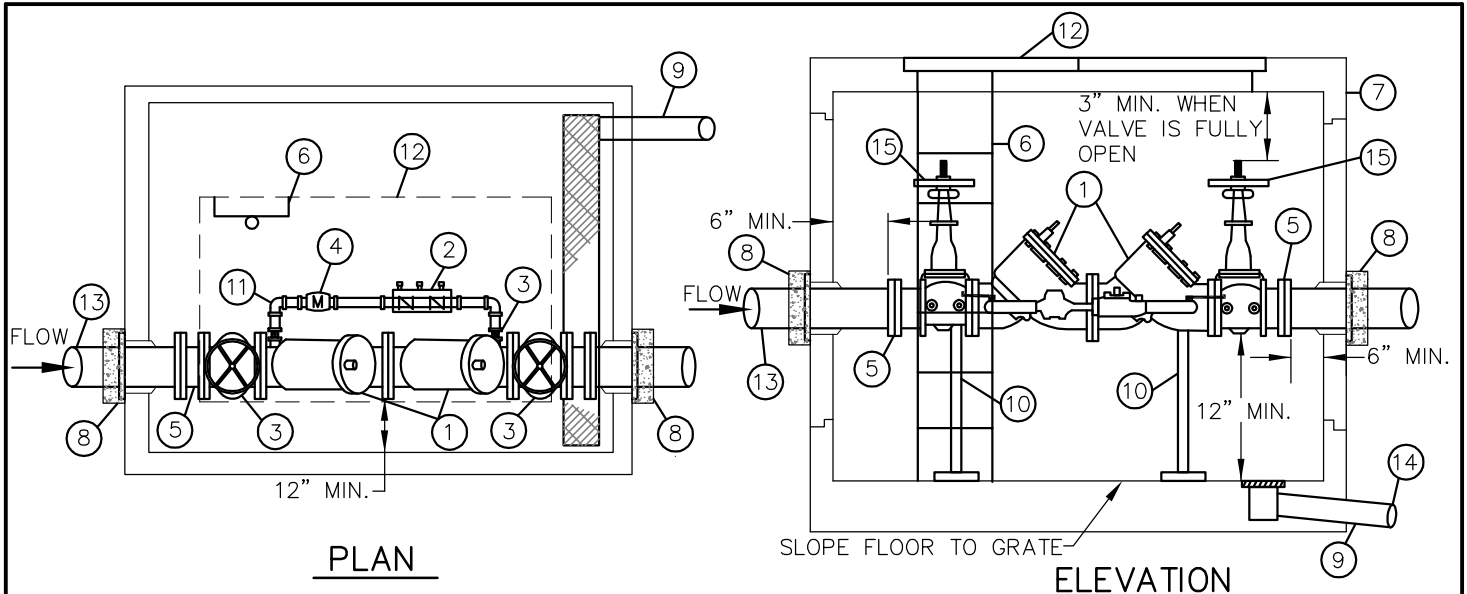
City of
Bellevue

WATER UTILITY

TITLE

3" TO 10" DOUBLE CHECK VALVE ASSEMBLY
FOR DOMESTIC AND IRRIGATION SERVICES
(OUTSIDE INSTALLATION)

NO. W-44



- ① STATE APPROVED DOUBLE CHECK VALVE ASSEMBLY, COMPLETE WITH (2) RESILIENT SEATED O.S.&Y. VALVES AND (4) RESILIENT SEATED TEST COCKS, AND BRASS OR COPPER DETECTOR BY-PASS. FACE TEST COCKS TOWARD CENTER OF VAULT AND ACCESSIBLE.
- ② STATE APPROVED 3/4" DOUBLE CHECK VALVE ASSEMBLY, COMPLETE WITH (2) RESILIENT SEATED BALL VALVES AND (4) RESILIENT SEATED TEST COCKS. FACE TEST COCKS TOWARD CENTER OF VAULT.
- ③ EACH VALVE SHALL BE MARKED WITH MODEL NUMBER WITH DESIGNATION OF RESILIENT SEAT: SUCH AS "RS" OR "R", WHICH MUST BE CAST, MOLDED, OR AFFIXED ONTO THE BODY OR BONNET OF THE VALVE. ALL FERROUS BODIED VALVES SHALL BE COATED WITH A MINIMUM OF 4MLS. OF EPOXY OR EQUIVALENT POLYMERIZED COATING.
- ④ 3/4" METER (CUBIC FEET READING)
- ⑤ MEGAFLANGE
- ⑥ ONE GALVANIZED STEEL LADDER TO BE SECURED TO VAULT WITH LADDER-UP (BILCO MODEL LU-2). LADDER TO BE ATTACHED TO VAULT PER STANDARD DETAIL W-19.
- ⑦ CONCRETE VAULT WITH 2 LOCKING ALUMINUM LW HATCH DOORS (PART NO. HHD-42"x72"), RATED FOR H-30 LOADING, OFFSET WITH SLIP RESISTANT TREATMENT PER SECTION W4-17 OF THE ENGINEERING STANDARDS. COVER TO READ "WATER". VAULT SHALL BE EQUAL TO UTILITY VAULT CO. MODEL LISTED IN THE TABLE BELOW.
- ⑧ WATER TIGHT GROUT. RESTRAIN INLET/OUTLET PIPE WITH MEGALUG MID-SPAN RESTRAINT AND THRUST BLOCK ADJACENT TO VAULT SEE STANDARD DETAIL W-56.
- ⑨ DRAIN, SLOPE TO DAYLIGHT OR STORM DRAINAGE SYSTEM, MINIMUM DIAMETER 6".
- ⑩ TWO ADJUSTABLE PIPE STANCHIONS, BOLTED TO FLOOR.
- ⑪ ALL PLUMBING FOR BY-PASS TO BE COPPER AND BRASS.
- ⑫ ACCESS TO BE CENTERED OVER ASSEMBLY.
- ⑬ CL. 52 D.I., PEXFL WITH RETAINER GLANDS.
- ⑭ INSTALL WIRE MESH RODENT SCREEN OVER DRAIN OUTLET.
- ⑮ 2 VALVE SUPERVISORY SWITCHES, SPDT, PER FIRE DEPARTMENT REQUIREMENTS (1 SWITCH PER VALVE).

NOTES:

1. TESTING IS REQUIRED BY A WASHINGTON STATE DEPARTMENT OF HEALTH CERTIFIED BACKFLOW ASSEMBLY TESTER UPON INSTALLATION AND ANNUALLY THEREAFTER. ASSEMBLY TO BE MAINTAINED BY OWNER.
2. TEE & GATE VALVES REQUIRED ON MAIN.
3. WHEN DOUBLE CHECK VALVE ASSEMBLY IS USED IN SAME LINE WITH DOMESTIC BUILDING METER, METERED DETECTOR BYPASS SHALL BE OMITTED.
4. ALL CLEARANCES SHOWN ARE MINIMUM.
5. VAULTS SHALL NOT BE INSTALLED IN AREAS WITH VEHICULAR TRAFFIC.
6. IN CENTRAL BUSINESS DISTRICT, 3" THROUGH 6" ASSEMBLIES SHALL CONNECT TO WATER MAIN WITH 8" PIPE.
7. FDC TO BE LOCATED DOWNSTREAM OF DCVA. FDC LINE & CHECK VALVE MAY BE ROUTED INSIDE THE DCVA VAULT PROVIDED ALL PROVISIONS IN STANDARD DETAIL W-48 ARE MET.
8. MINIMUM 2' OF LEVEL, UNOBSTRUCTED AREA AROUND HATCHES.
9. SECURE A VALVE MARKER, PER DETAIL W-55, TO EACH GATE VALVE HANDLE.
10. LONGER VALVE ASSEMBLIES MAY REQUIRE A LARGER VAULT TO MEET THE REQUIRED CLEARANCES. SUBMIT FOR APPROVAL.

SIZE	MIN. VAULT SIZE (INSIDE)			UTIL. VAULT CO. MODEL	UTIL. VAULT CO. COVER *
	W	L	H		
3"	4'-2"	4'-8"	3'-3"	675-WA	675-2-332P
4"	4'-6"	5'-3"	3'-8"	675-WA	675-2-332P
6"	4'-8"	6'-6"	4'-5"	675-WA	675-2-332P
8"	5'-0"	7'-8"	5'-3"	687-LA	687-TL-2-332
10"	5'-2"	8'-8"	6'-1"	5106-LA	5106-TL3-332

* COVER MODIFIED PER NOTE ⑦.



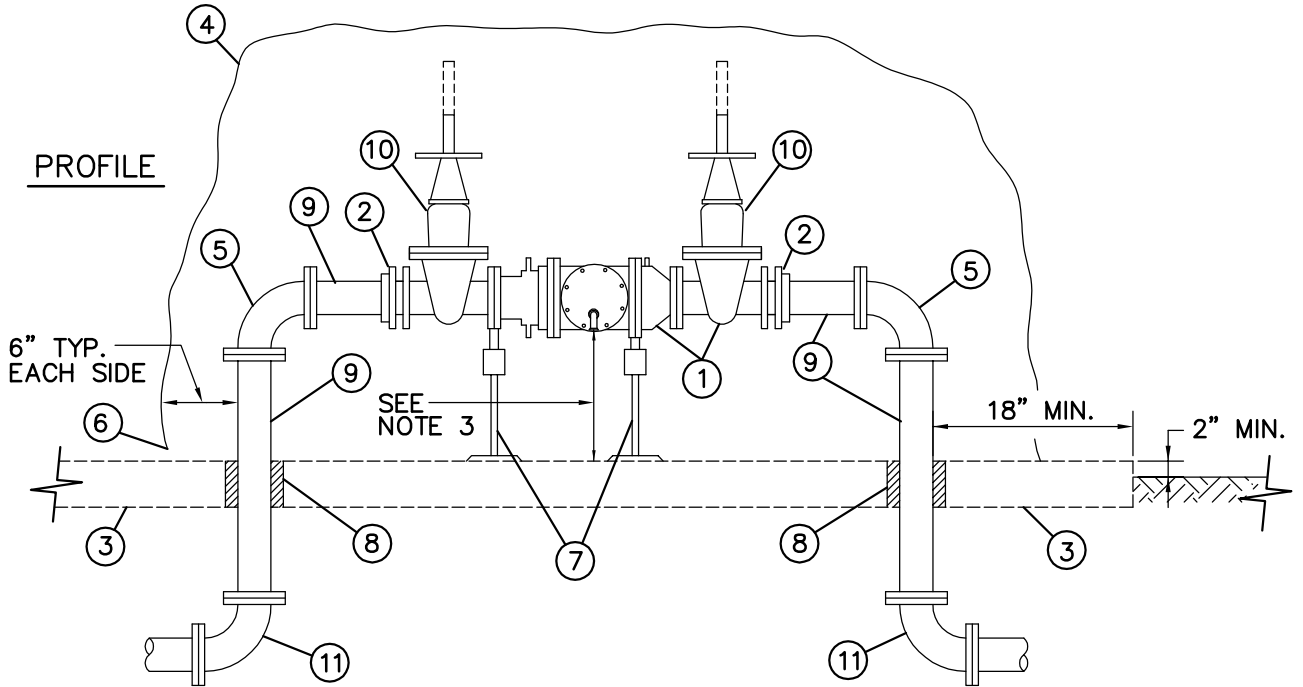
**City of
Bellevue**

WATER UTILITY

TITLE

3" TO 10" DOUBLE CHECK DETECTOR
ASSEMBLY FOR FIRE SPRINKLER SYSTEMS
(OUTSIDE INSTALLATION) No. W-45

NOTICE: OUTSIDE-INSTALLED RPBA IS NOT ALLOWED IN BURIED VAULTS. DEVELOPER SHALL PROVIDE UTILITIES WITH A DESIGN FOR AN ABOVE-GROUND ENCLOSURE THAT DRAINS TO DAY LIGHT FOR APPROVAL. CLEARANCES SHOWN BELOW SHALL APPLY TO THE ENCLOSURE.



- ① STATE APPROVED REDUCED PRESSURE BACKFLOW ASSEMBLY, COMPLETE WITH (2) RESILIENT SEATED O.S.&Y. GATE VALVES (2" AND SMALLER: FULL FLOW RESILIENT SEATED BALL VALVES) AND (4) RESILIENT SEATED TEST COCKS.
- ② MEGAFLANGE. (2" AND SMALLER: BRASS UNION, M.I.P.T.xF.I.P.T.).
- ③ 4" CONC. (2,000 PSI) SLAB EXTENDED 6" BEYOND ENCLOSURE (ALL DIRECTIONS). REINFORCED W/ 6x6 W2.9xW2.9 WWF.
- ④ APPROVED ENCLOSURE. CONTRACTOR TO VERIFY REQUIRED SIZE.
- ⑤ 90° BEND, FL (2" AND SMALLER: BRASS, F.I. P.T.).
- ⑥ ENCLOSURE DRAIN, SIZED IN ACCORDNCE WITH PNWS-AWWA CROSS CONNECTION CONTROL MANUAL (7TH ADDITION) FIGURE 6-1.
- ⑦ TWO ADJUSTABLE PIPE STANCHIONS, BOLTED TO SLAB.
- ⑧ PVC SLEEVE THROUGH SLAB.
- ⑨ CL. 52 D.I., PEXFL (2" AND SMALLER: BRASS NIPLE, M.I.P.T.)
- ⑩ EACH VALVE SHALL BE MARKED WITH MODEL NUMBER WITH DESIGNATION OF RESILIENT SEAT: SUCH AS "RS" OR "R", WHICH MUST BE CAST, MOLDED, OR AFFIXED ONTO THE BODY OR BONNET OF THE VALVE. ALL FERROUS BODIED VALVES SHALL BE COATED WITH A MINIMUM OF 4MLS. OF EPOXY OR EQUIVALENT POLYMERIZED COATING.
- ⑪ 90° BEND, RESTRAINED JOINT (2" AND SMALLER: BRASS, COMPRESSION x F.I.P.T.).

NOTES:

- 1. PROVIDE ELECTRICAL HEAT TAPE FREEZE PROTECTION.
- 2. WHEN THE REDUCED PRESSURE ASSEMBLY IS LOCATED INSIDE A BUILDING A SIZED DRAIN LINE SHALL BE PROVIDED FOR RELIEF PORT. THERE MUST BE AN APPROVED AIR GAP BETWEEN THE RELIEF PORT AND DRAIN.
- 3. ALLOW 12"+ NOMINAL DIAMETER OF ASSEMBLY CLEARANCE BELOW RELIEF PORT FOR REPAIR. ALSO PROVIDE 12" MIN. AIR GAP CLEARANCE FROM TOP OF DRAIN PIPE.
- 4. REDUCED PRESSURE BACKFLOW ASSEMBLY WILL BE ALLOWED TO BE INSTALLED IN VAULTS ONLY IN CASES WHERE NO OTHER MEANS OF INSTALLATION IS AVAILABLE AND AS APPROVED BY A CITY OF BELLEVUE WATER QUALITY TECHNICIAN.
- 5. TESTING IS REQUIRED BY A WASHINGTON STATE DEPARTMENT OF HEALTH CERTIFIED BACKFLOW ASSEMBLY TESTER UPON INSTALLATION AND ANNUALLY THEREAFTER. ASSEMBLY TO BE MAINTAINED BY OWNER.
- 6. ALL CLEARANCES SHOWN ARE MINIMUM.
- 7. ENCLOSURES SHALL NOT BE INSTALLED IN AREAS WITH VEHICULAR TRAFFIC.
- 8. TEE AND GATE VALVES REQUIRED ON MAIN.
- 9. IN CENTRAL BUSINESS DISTRICT, 3" THROUGH 6" ASSEMBLIES SHALL CONNECT TO WATER MAIN WITH 8" PIPE.
- 10. MINIMUM 2' OF LEVEL, UNOBSTRUCTED AREA AROUND ENCLOSURES.
- 11. RPBA INSTALLATIONS THAT DIFFER FROM THE STANDARD DETAIL MUST BE APPROVED BY THE CROSS CONNECTION PROGRAM ADMINISTRATOR (425-452-5208) AND WILL BE REVIEWED ON A CASE-BY-CASE BASIS TO ENSURE THEY MEET CURRENT MINIMUM REQUIREMENTS FOR INSTALLATION AND FREEZE PROTECTION.



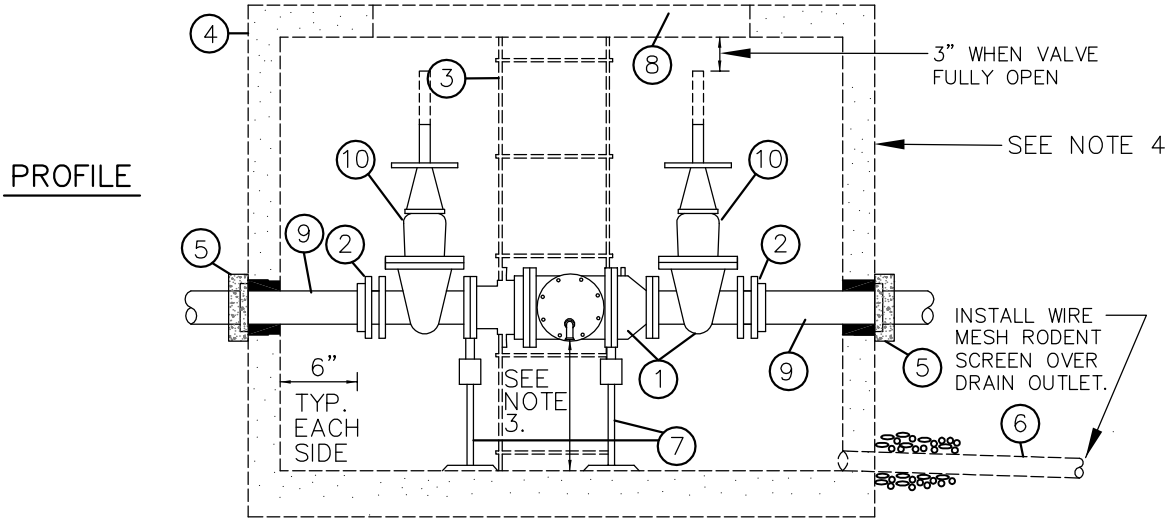
City of
Bellevue

WATER UTILITY

TITLE

REDUCED PRESSURE
BACKFLOW ASSEMBLY FOR DOMESTIC AND
IRRIGATION SERVICE
(OUTSIDE INSTALLATION) NO. W-46A

NOTICE: OUTSIDE-INSTALLED RPBA IS NOT ALLOWED IN BURIED VAULTS. DEVELOPER SHALL PROVIDE UTILITIES WITH A DESIGN FOR AN ABOVE-GROUND ENCLOSURE THAT DRAINS TO DAY LIGHT FOR APPROVAL. THE BURIED VAULT DETAIL SHOWN BELOW IS ONLY ALLOWED WHEN GIVEN SPECIAL APPROVAL BY THE CITY.



- ① STATE APPROVED REDUCED PRESSURE BACKFLOW ASSEMBLY, COMPLETE WITH ② RESILIENT SEATED O.S.&Y. GATE VALVES AND ④ RESILIENT SEATED TEST COCKS. FACE TEST COCKS TOWARD CENTER OF VAULT AND ACCESSABLE.
- ② MEGAFLANGE
- ③ ONE GALVANIZED STEEL LADDER TO BE SECURED TO VAULT WITH LADDER-UP (BILCO MODEL LU-2). LADDER TO BE ATTACHED TO VAULT PER STANDARD DETAIL W-19.
- ④ CONCRETE VAULT WITH 2 LOCKING ALUMINUM LW HATCH DOORS (PART NO. HHD-36"x72") RATED FOR H-30 LOADING WITH SLIP RESISTANT TREATMENT PER SECTION W4-17 OF THE ENGINEERING STANDARDS. COVER TO READ "WATER". VAULT SHALL BE EQUAL TO UTILITY VAULT CO. MODEL LISTED IN THE TABLE BELOW.
- ⑤ WATER TIGHT GROUT. RESTRAIN INLET/OUTLET PIPE WITH MEGALUG MID-SPAN RESTRAINT AND THRUST BLOCK ADJACENT TO VAULT SEE STANDARD DETAIL W-56.
- ⑥ DRAIN, SLOPE TO DAYLIGHT WITH BORE SIGHTED DAYLIGHT DRAIN CLEARLY VISIBLE END TO END WITH STRAIGHT PIPE, SIZED TO MEET FLOW REQUIREMENTS OF RPBA RELIEF VENT.
- ⑦ TWO ADJUSTABLE PIPE STANCHIONS, BOLTED TO FLOOR.
- ⑧ ACCESS TO BE CENTERED OVER ASSEMBLY.
- ⑨ CL. 52 D.I., PEXFL WITH RETAINER GLANDS.
- ⑩ EACH VALVE SHALL BE MARKED WITH MODEL NUMBER WITH DESIGNATION OF RESILIENT SEAT: SUCH AS "RS" OR "R", WHICH MUST BE CAST, MOLDED, OR AFFIXED ONTO THE BODY OR BONNET OF THE VALVE. ALL FERROUS BODIED VALVES SHALL BE COATED WITH A MINIMUM OF 4MLS. OF EPOXY OR EQUIVALENT POLYMERIZED COATING.

SIZE	MIN. VAULT SIZE (INSIDE)			UTIL. VAULT CO. MODEL	UTIL. VAULT CO. COVER *
	W	L	H		
3"	4'-3"	4'-8"	3'-11"	575-LA	64-2-332P
4"	4'-3"	5'-3"	4'-7"	577-LA	57TL-2-332P
6"	4'-4"	6'-6"	5'-5"	4484-LA	4484-TL2-332P
8"	5'-2"	7'-7"	7'-1"	687-LA	687-TL-2-332
10"	5'-4"	8'-8"	8'-0"	5106-2X	5106-TL3-332

* COVER MODIFIED PER NOTE ④.

- NOTES:
1. DAYLIGHT DRAIN MUST BE ABLE TO BE LINE SIGHTED, INSTALLED ABOVE MAXIMUM FLOOD LEVEL, AND BE ABLE TO HANDLE THE VOLUME OF WATER THAT CAN BE DISCHARGED FROM THE RELIEF VALVE PORT.
 2. WHEN THE REDUCED PRESSURE ASSEMBLY IS LOCATED INSIDE A BUILDING A SIZED DRAIN LINE SHALL BE PROVIDED FOR RELIEF PORT. THERE MUST BE AN APPROVED AIR GAP BETWEEN THE RELIEF PORT AND DRAIN.
 3. ALLOW 12"+ NOMINAL DIAMETER OF ASSEMBLY CLEARANCE BELOW RELIEF PORT FOR REPAIR. ALSO PROVIDE 12" MIN. AIR GAP CLEARANCE FROM TOP OF DRAIN PIPE.
 4. REDUCED PRESSURE BACKFLOW ASSEMBLY WILL BE ALLOWED TO BE INSTALLED IN VAULTS ONLY IN CASES WHERE NO OTHER MEANS OF INSTALLATION IS AVAILABLE AND AS APPROVED BY A CITY OF BELLEVUE WATER QUALITY TECHNICIAN.
 5. TESTING IS REQUIRED BY A WASHINGTON STATE DEPARTMENT OF HEALTH CERTIFIED BACKFLOW ASSEMBLY TESTER UPON INSTALLATION AND ANNUALLY THEREAFTER. ASSEMBLY TO BE MAINTAINED BY OWNER.
 6. MINIMUM CLEARANCE BETWEEN ASSEMBLY AND WALL ON LADDER SIDE OF VAULT IS 24". MINIMUM CLEARANCE FROM OPPOSITE WALL IS 12". ALL CLEARANCES SHOWN ARE MINIMUM.
 7. VAULTS SHALL NOT BE INSTALLED IN AREAS WITH VEHICULAR TRAFFIC.
 8. TEE AND GATE VALVES REQUIRED ON MAIN.
 9. IN CENTRAL BUSINESS DISTRICT, 3" THROUGH 6" ASSEMBLIES SHALL CONNECT TO WATER MAIN WITH 8" PIPE.
 10. MINIMUM 2' OF LEVEL, UNOBSTRUCTED AREA AROUND HATCHES.
 11. RPBA INSTALLATIONS THAT DIFFER FROM THE STANDARD DETAIL MUST BE APPROVED BY THE CROSS CONNECTION PROGRAM ADMINISTRATOR (425-452-5208) AND WILL BE REVIEWED ON A CASE-BY-CASE BASIS TO ENSURE THEY MEET CURRENT MINIMUM REQUIREMENTS FOR INSTALLATION AND FREEZE PROTECTION.

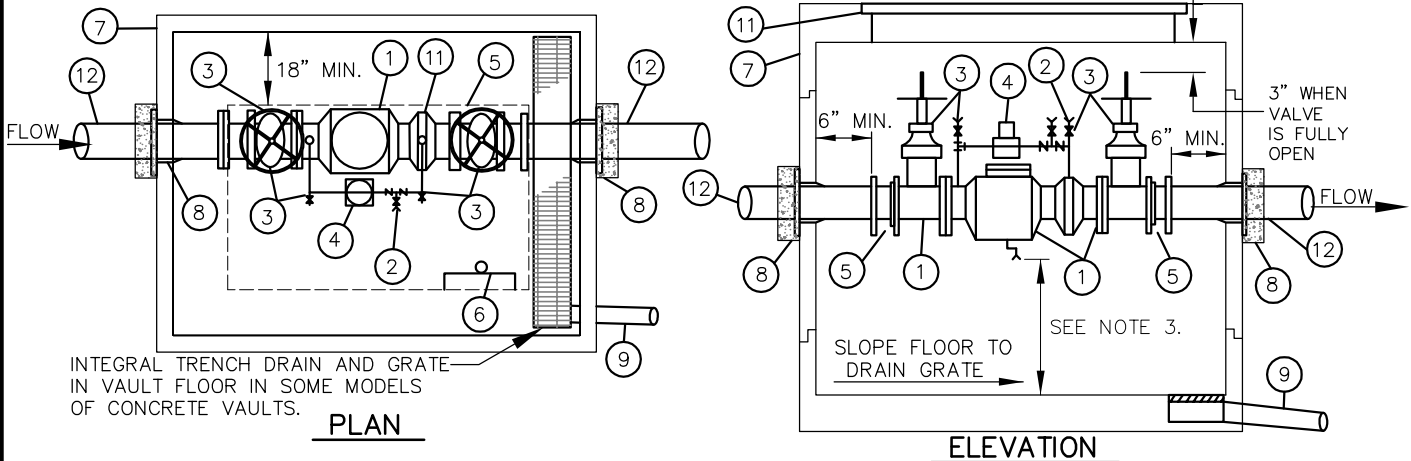


City of Bellevue

WATER UTILITY

TITLE
 3" TO 10" REDUCED PRESSURE BACKFLOW ASSEMBLY FOR DOMESTIC AND IRRIGATION SERVICE (BURIED VAULT INSTALLATION) NO. W-46B

NOTICE: OUTSIDE-INSTALLED RPBA IS NOT ALLOWED IN BURIED VAULTS. DEVELOPER SHALL PROVIDE UTILITIES WITH A DESIGN FOR AN ABOVE-GROUND ENCLOSURE THAT DRAINS TO DAY LIGHT FOR APPROVAL. CLEARANCES SHOWN BELOW SHALL APPLY TO THE ENCLOSURE. THE BURIED VAULT DETAIL SHOWN BELOW IS ONLY ALLOWED WHEN GIVEN SPECIAL APPROVAL BY THE CITY.



- ① STATE APPROVED REDUCED PRESSURE BACKFLOW ASSEMBLY, COMPLETE WITH (2) RESILIENT SEATED O.S.&Y. GATE VALVES AND (4) RESILIENT SEATED TEST COCKS, AND BRASS OR COPPER DETECTOR BY-PASS, CENTERED IN VAULT.
- ② STATE APPROVED 3/4" REDUCED PRESSURE ASSEMBLY ON BY-PASS, COMPLETE WITH (2) RESILIENT SEATED BALL VALVES AND (4) RESILIENT SEATED TEST COCKS.
- ③ EACH VALVE SHALL BE MARKED WITH MODEL NUMBER WITH DESIGNATION OF RESILIENT SEAT: SUCH AS "RS OR "R", WHICH MUST BE CAST, MOLDED, OR AFFIXED ONTO THE BODY OR BONNET OF THE VALVE. ALL FERROUS BODIED VALVES SHALL BE COATED WITH A MIN. OF 4mils d.f.t. EPOXY OR EQUIVALENT POLYMERIZED COATING.
- ④ 3/4" METER (CUBIC FEET READING) AS REQUIRED.
- ⑤ MEGAFLANGE
- ⑥ ONE GALVANIZED STEEL LADDER TO BE SECURED TO VAULT WITH LADDER-UP (BILCO MODEL LU-2). LADDER TO BE ATTACHED TO VAULT PER STANDARD DETAIL W-19.
- ⑦ CONCRETE VAULT WITH 2 LOCKING ALUMINUM LW HATCH DOORS (PART NO. HHD-42"x72") RATED FOR H-30 LOADING WITH SLIP RESISTANT TREATMENT PER SECTION W4-17 OF THE ENGINEERING STANDARDS. COVER TO READ "WATER". VAULT SHALL BE EQUAL TO UTILITY VAULT CO. MODEL LISTED IN TABLE BELOW.
- ⑧ WATER TIGHT GROUT. RESTRAIN INLET/OUTLET PIPE WITH MEGALUG MID-SPAN RESTRAINT AND THRUST BLOCK ADJACENT TO VAULT SEE STANDARD DETAIL W-56.
- ⑨ DRAIN, SLOPE TO DAYLIGHT WITH BORE SIGHTED DAYLIGHT DRAIN CLEARLY VISIBLE END TO END WITH STRAIGHT PIPE, SIZED TO MEET FLOW REQUIREMENTS OF RPBA RELIEF VENT. INSTALL WIRE MESH RODENT SCREEN OVER DRAIN OUTLET.
- ⑩ TWO ADJUSTABLE PIPE STANCHIONS, BOLTED TO FLOOR.
- ⑪ ACCESS TO BE CENTERED OVER ASSEMBLY.
- ⑫ CL. 52 D.I., PE-XFL WITH RETAINER GLANDS.
- ⑬ VALVE SUPERVISORY SWITCH, SPDT, PER FIRE DEPARTMENT REQUIREMENTS.

SIZE	MIN. VAULT SIZE (INSIDE) W	L	H	UTIL. VAULT CO. MODEL	UTIL. VAULT CO. COVER *
3"	4'-9"	4'-8"	3'-11"	675-WA	675-2-332P
4"	5'-0"	5'-3"	4'-7"	675-WA	675-2-332P
6"	5'-1"	6'-6"	5'-5"	676-WA	676-2-332P
8"	5'-9"	7'-7"	7'-1"	687-LA	687-TL-2-332
10"	5'-10"	8'-8"	8'-0"	612-2X	612-3-332P

* COVER MODIFIED PER NOTE ⑦.

NOTES:

1. DAYLIGHT DRAIN MUST BE ABLE TO BE LINE SIGHTED, INSTALLED ABOVE MAXIMUM FLOOD LEVEL, AND BE ABLE TO HANDLE THE VOLUME OF WATER THAT CAN BE DISCHARGED FROM THE RELIEF VALVE PORT.
2. WHEN THE REDUCED PRESSURE ASSEMBLY IS LOCATED INSIDE A BUILDING A SIZED DRAIN LINE SHALL BE PROVIDED FOR RELIEF PORT. THERE MUST BE AN APPROVED AIR GAP BETWEEN THE RELIEF PORT AND DRAIN.
3. ALLOW 12"+ NOMINAL DIAMETER OF ASSEMBLY CLEARANCE BELOW RELIEF PORT FOR REPAIR. ALSO PROVIDE 12MIN. AIR GAP CLEARANCE FROM TOP OF DRAIN PIPE.
4. REDUCED PRESSURE BACKFLOW ASSEMBLY WILL BE ALLOWED TO BE INSTALLED IN VAULTS ONLY IN CASES WHERE NO OTHER MEANS OF INSTALLATION IS AVAILABLE AND AS APPROVED BY A CITY OF BELLEVUE WATER QUALITY TECHNICIAN.
5. TESTING IS REQUIRED BY A WASHINGTON STATE DEPARTMENT OF HEALTH CERTIFIED BACKFLOW ASSEMBLY TESTER UPON INSTALLATION AND ANNUALLY THEREAFTER. ASSEMBLY TO BE MAINTAINED BY OWNER.
6. MINIMUM CLEARANCE BETWEEN ASSEMBLY AND WALL ON LADDER SIDE OF VAULT IS 24". MINIMUM CLEARANCE FROM OPPOSITE WALL 12". ALL CLEARANCES SHOWN ARE MINIMUM.
7. VAULTS SHALL NOT BE INSTALLED IN AREAS WITH VEHICULAR TRAFFIC.
8. TEE AND GATE VALVES REQUIRED ON MAIN.
9. IN CENTRAL BUSINESS DISTRICT, 3" THROUGH 6" ASSEMBLIES SHALL CONNECT TO WATER MAIN WITH 8" PIPE.
10. FDC TO BE LOCATED DOWNSTREAM OF RPBA. FDC LINE AND CHECK VALVE MAY BE ROUTED INSIDE THE RPBA VAULT PROVIDED ALL PROVISIONS OF STANDARD DETAIL W-48 ARE MET.
11. MINIMUM 2' OF LEVEL, UNOBSTRUCTED AREA AROUND HATCHES.
12. SECURE A VALVE MARKER, PER DETAIL W-55, TO EACH GATE VALVE HANDLE.
13. LONGER VALVE ASSEMBLIES MAY REQUIRE A LARGER VAULT TO MEET THE REQUIRED CLEARANCES. SUBMIT FOR APPROVAL.
14. RPBA INSTALLATIONS THAT DIFFER FROM THE STANDARD DETAIL MUST BE APPROVED BY THE CROSS CONNECTION PROGRAM ADMINISTRATOR (425-452-5208) AND WILL BE REVIEWED ON A CASE-BY-CASE BASIS TO ENSURE THEY MEET CURRENT MINIMUM REQUIREMENTS FOR INSTALLATION AND FREEZE PROTECTION.



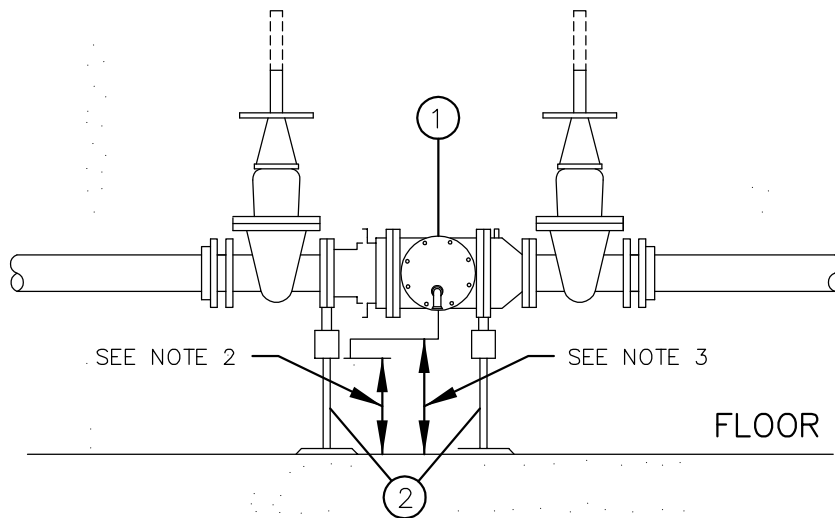
City of Bellevue

WATER UTILITY

TITLE

3" TO 10" REDUCED PRESSURE DETECTOR ASSEMBLY FOR FIRE SPRINKLER SYSTEMS (OUTSIDE INSTALLATION)

NO. W-47



- ①. LINE-SIZED WA STATE APPROVED REDUCED PRESSURE BACKFLOW ASSEMBLY, COMPLETE WITH (2) RESILIENT SEATED O.S.&Y. GATE VALVES AND (4) RESILIENT SEATED TEST COCKS.
- ②. TWO ADJUSTABLE PIPE STANCHIONS, BOLTED TO FLOOR. REQUIRED FOR ASSEMBLIES 2 1/2" AND LARGER.

NOTES:

1. WHEN THE REDUCED PRESSURE ASSEMBLY IS LOCATED INSIDE A BUILDING A SIZED DRAIN LINE SHALL BE PROVIDED FOR RELIEF PORT. THERE MUST BE AN APPROVED AIR GAP BETWEEN THE RELIEF PORT AND DRAIN.
2. ALLOW 12"+ NOMINAL DIAMETER OF ASSEMBLY CLEARANCE BELOW RELIEF PORT FOR REPAIR. MAXIMUM CLEARANCE OF 5'.
3. ASSEMBLY TO BE MAINTAINED BY OWNER AND ANNUAL CERTIFICATION REQUIRED.
4. SIDE CLEARANCES TO WALL;
VALVE SIZE 2" AND LESS: 6" CLEARANCE.
VALVE SIZE 3" AND ABOVE: 12" CLEARANCE.
5. TESTING IS REQUIRED BY A WASHINGTON STATE DEPARTMENT OF HEALTH CERTIFIED BACKFLOW ASSEMBLY TESTER UPON INSTALLATION AND ANNUALLY THEREAFTER. ASSEMBLY TO BE MAINTAINED BY OWNER.
6. PROTECT AGAINST FREEZING OR DAMAGE. USE HEAT-TAPE IF AREA IS SUBJECT TO FREEZING.
7. INTERIOR WATER APPURTENANCES MUST CONFORM TO UNIFORM PLUMBING CODE REQUIREMENTS.
8. DEVICE TO BE INSTALLED NO HIGHER THAN 5 FEET ABOVE FLOOR.
9. RPBA INSTALLATIONS THAT DIFFER FROM THE STANDARD DETAIL MUST BE APPROVED BY THE CROSS CONNECTION PROGRAM ADMINISTRATOR (425-452-5208) AND WILL BE REVIEWED ON A CASE-BY-CASE BASIS TO ENSURE THEY MEET CURRENT MINIMUM REQUIREMENTS FOR INSTALLATION AND FREEZE PROTECTION.

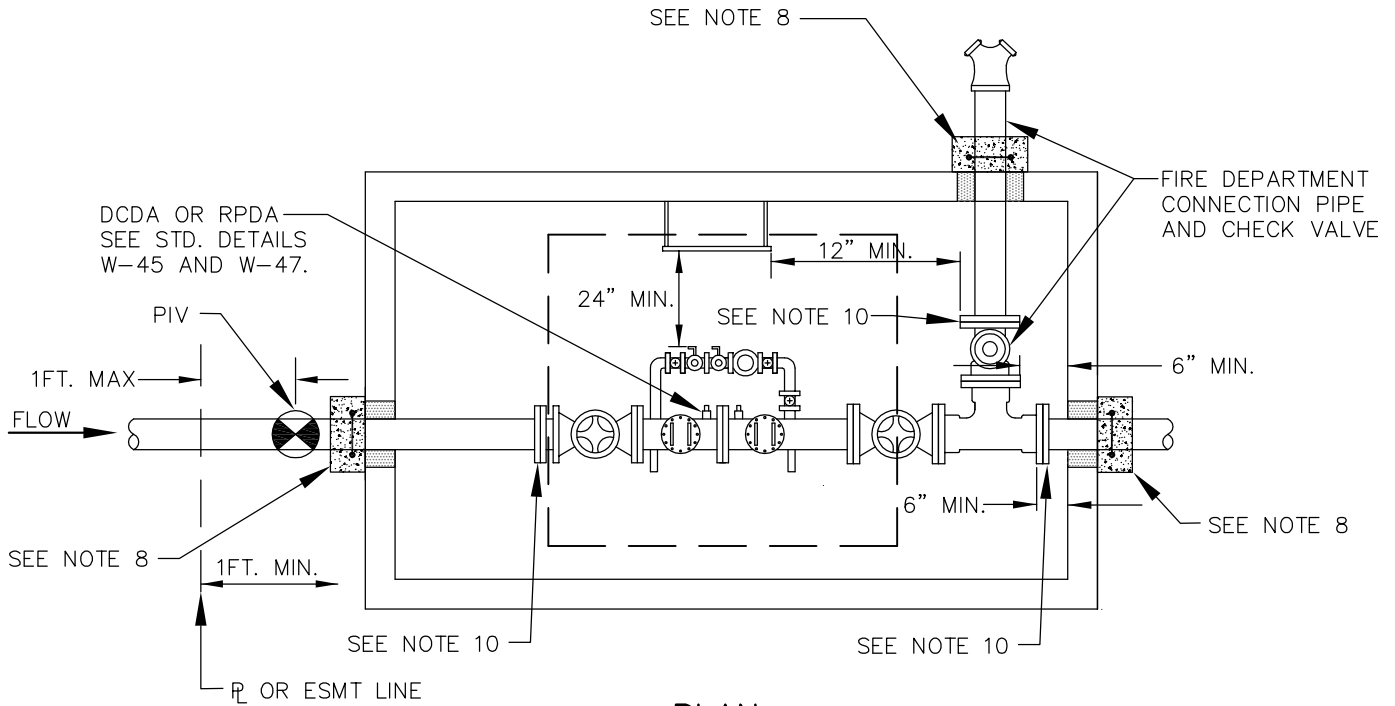


City of
Bellevue

WATER UTILITY

TITLE

REDUCED PRESSURE BACKFLOW
ASSEMBLY (INSIDE INSTALLATION)



PLAN

NOTES:

1. FDC TO BE LOCATED DOWNSTREAM OF DCDA (DOUBLE CHECK DETECTOR ASSEMBLY) OR RPDA (REDUCED PRESSURE DETECTOR ASSEMBLY).
2. PROVIDE MINIMUM OF 6" CLEARANCE BETWEEN VALVES, FITTINGS AND THE VAULT WALL.
3. ALL DIMENSIONS SHOWN ARE MINIMUM ALLOWED.
4. INSTALL FDC LINE ON SIDE OF VAULT WITH GREATEST AVAILABLE SPACE, AS SHOWN.
5. WHEN FDC LINE IS ROUTED THROUGH THE VAULT, THE VAULT SIZE SHALL BE INCREASED TO MATCH THE SIZE REQUIRED FOR THE MINIMUM CLEARANCES.
6. ALL PIPE JOINTS SHALL BE RESTRAINED. CONCRETE BLOCKING IS REQUIRED AT CHANGES IN DIRECTION.
7. CORE DRILL (O.D. +2") VAULT IF KNOCK-OUTS ARE NOT PROVIDED.
8. SEAL PIPE PENETRATIONS WITH WATER-TIGHT GROUT. RESTRAIN INLET/OUTLET PIPES WITH MEGALUG MID-SPAN RESTRAINT AND THRUST BLOCK ADJACENT TO VAULT (DETAIL W-56).
9. WHEN PIV IS LOCATED IN VAULT, THE VAULT SIZE SHALL BE INCREASED TO MATCH THE SIZE REQUIRED TO ACCOMMODATE PIV INSTALLATION WITH 6" CLEARANCES ON VAULT INTERIOR. (LID TO BE CORE DRILLED - USE LINK SEAL/GROUT TO SEAL PENETRATION).
10. MEGAFLANGE ON PE CONNECTION TO FLANGED VALVES AND TEE.
11. TESTING IS REQUIRED BY A WASHINGTON STATE DEPARTMENT OF HEALTH CERTIFIED BACKFLOW ASSEMBLY TESTER UPON INSTALLATION AND ANNUALLY THEREAFTER. ASSEMBLY TO BE MAINTAINED BY OWNER.
12. POSITION DCVA WITHIN HATCH TO ALLOW FOR VERTICAL REMOVAL.



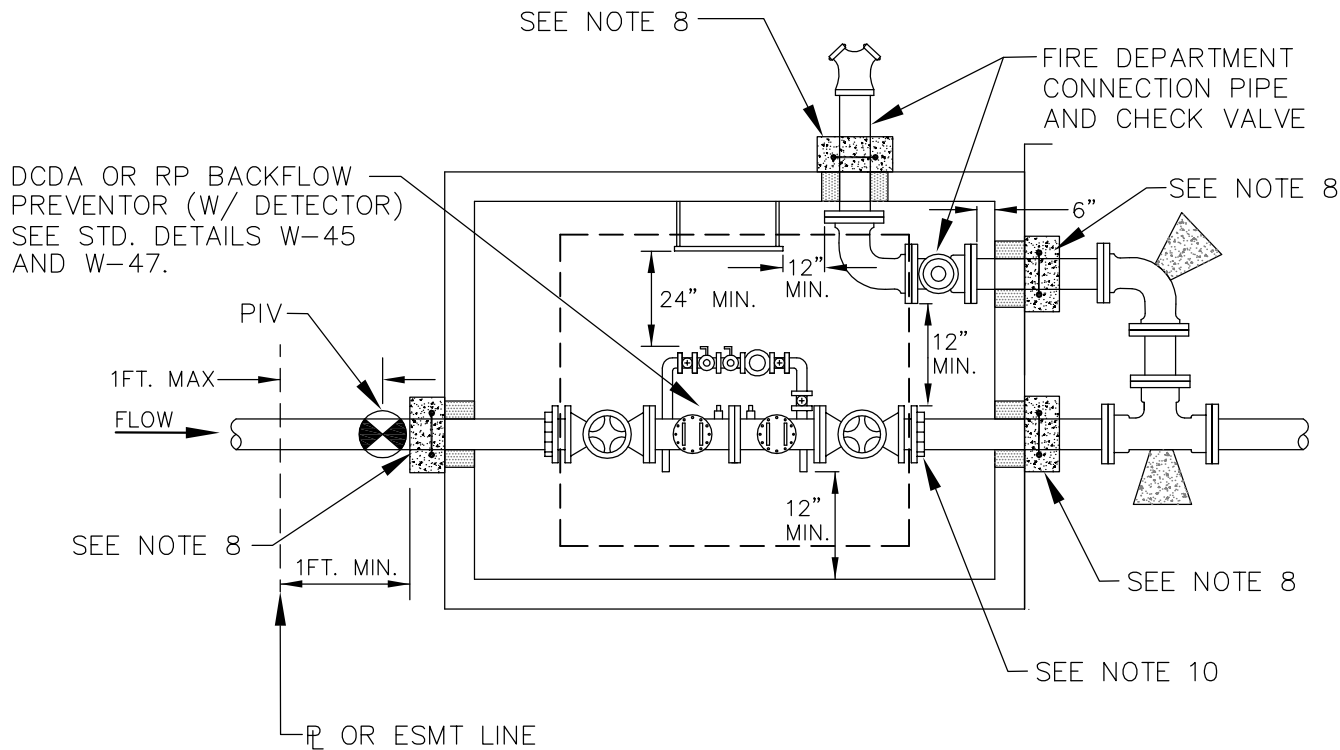
**City of
Bellevue**

WATER UTILITY

TITLE

REQUIREMENTS FOR FDC AND
CHECK VALVE ROUTED THROUGH
BACKFLOW ASSEMBLY VAULT-1

NO. **W-49**



PLAN

NOTES:

1. FDC TO BE LOCATED DOWNSTREAM OF DCDA (DOUBLE CHECK DETECTOR ASSEMBLY) OR RPDA (REDUCED PRESSURE DETECTOR ASSEMBLY).
2. PROVIDE MINIMUM OF 6" CLEARANCE BETWEEN VALVES, FITTINGS AND THE VAULT WALL.
3. ALL DIMENSIONS SHOWN ARE MINIMUM ALLOWED.
4. INSTALL FDC LINE ON SIDE OF VAULT WITH GREATEST AVAILABLE SPACE, AS SHOWN.
5. WHEN FDC LINE IS ROUTED THROUGH THE VAULT, THE VAULT SIZE SHALL BE INCREASED TO MATCH THE SIZE REQUIRED FOR THE MINIMUM CLEARANCES.
6. ALL PIPE JOINTS SHALL BE RESTRAINED. CONCRETE BLOCKING IS REQUIRED AT CHANGES IN DIRECTION.
7. CORE DRILL (O.D. +2") VAULT IF KNOCK-OUTS ARE NOT PROVIDED.
8. SEAL PIPE PENETRATIONS WITH WATER-TIGHT GROUT. RESTRAIN INLET/OUTLET PIPES WITH MEGALUG MID-SPAN RESTRAINT AND THRUST BLOCK ADJACENT TO VAULT (DETAIL W-56).
9. WHEN PIV IS LOCATED IN VAULT, THE VAULT SIZE SHALL BE INCREASED TO MATCH THE SIZE REQUIRED TO ACCOMMODATE PIV INSTALLATION WITH 6" CLEARANCES ON VAULT INTERIOR. (LID TO BE CORE DRILLED - USE LINK SEAL/GROUT TO SEAL PENETRATION).
10. MEGAFLANGE ON PE CONNECTION TO FLANGED VALVES AND TEE.
11. TESTING IS REQUIRED BY A WASHINGTON STATE DEPARTMENT OF HEALTH CERTIFIED BACKFLOW ASSEMBLY TESTER UPON INSTALLATION AND ANNUALLY THEREAFTER. ASSEMBLY TO BE MAINTAINED BY OWNER.
12. POSITION DCVA WITHIN HATCH TO ALLOW FOR VERTICAL REMOVAL.



**City of
Bellevue**

WATER UTILITY

TITLE
 REQUIREMENTS FOR FDC AND
 CHECK VALVE ROUTED THROUGH
 BACKFLOW ASSEMBLY VAULT-2 NO. W-50



CITY OF BELLEVUE UTILITIES

Operations & Maintenance

2015 FIRE HYDRANT OPERATION

If you encounter damage to the hydrant or experience any problems please call Bellevue Utilities as soon as possible so the necessary repairs can be made, 425-452-7840 (24 hours).

1. A hydrant permit is required to utilize any fire hydrant. Operate only the hydrant you are authorized to use.
2. Verify hydrant is shut off, remove the port cap and install meter and backflow assembly.
3. For any use where the connection to the fire hydrant does not involve filling with an inspected and approved Tank Lot vehicle the minimum requirement is the installation of an approved and tested DCVA. An increased level of protection may be required if connecting to a high health hazard. Test reports are required at the time the permit is processed.
4. Open the hydrant operating nut slowly, (one revolution per second) and completely. The gate valve on the hydrant port is to be used for throttling and the operating nut must be fully open to eliminate leakage through the hydrant drain valve.
5. When completed, turn the operating nut slowly to the closed position - *Do not force*.
6. Remove equipment, check for leaks, and replace port cap. Hydrant should drain empty.
7. Report any hydrant problems or damage immediately: 425-452-7840, (24 hours)
8. Return rental equipment to Bellevue Service Center Receiving, 2901 - 115th Ave. N.E.

Failure to comply with the standard requirements can result in the immediate termination of this permit and the issuance of any applicable fines per Bellevue Civil Enforcement code chapter 1.18 and is subject to escalating enforcement including up to \$500 per day per violation and up to \$5,000 per day for repeat violations.

In addition to permit fees and equipment deposits, you are charged rental and water use at the following rates:

Permit Fee:	\$100.00 (non-refundable)
Water Use Charge:	\$7.39 per hundred cubic ft. (1 ccf = 748 gallons)
Wrench Deposit	\$25.00 refundable deposit
Hydrant Meter Rental:	¾ Meter \$100 Deposit / \$25.00 per month 3" Meter \$850 Deposit / \$50.00 per month

Permits & equipment are issued at the Bellevue Service Center - 2901 115th AVE NE, Bellevue 98004

Tank Lot Permits are not issued until the vehicle has been inspected by Bellevue Utilities. Call 425-452-7840 for scheduling inspections or questions regarding backflow assemblies.

Tank Lot Quantity Reports must be submitted by the 15th of each month. **Charges will be billed at \$7.39 per ccf based on the tank capacity and charged based on one fill-up per day for the number of days the permit is active (Assuming one fill up per day) if the log is not received by the 15th of the following month.**

Fill logs and/or questions regarding billing should be sent to:

City of Bellevue
Utilities RMCS
Attn: Elvie Muya
P.O. Box 90012
Bellevue, WA 98009-9012
425-452-6989 (phone) 425-452-5214 (fax)

See map for hydrant locations designated for Tank Lot use.
Designated hydrants are painted blue for easy identification.



CITY OF BELLEVUE UTILITIES

2015 Fire Hydrant Use Permit - *Tank Lot*

Permit #: _____

Expires 12/31/2015

Business Name: _____

Annual Permit Fee (\$100.00) **(Required)**

Business Phone: _____

Hydrant Wrench Deposit (\$25.00) **(Optional)**

Air Gap Inspection Done? **(Required)**

Contact Name: _____

Contact Phone: _____

Billing Address: _____

City: _____ Zip: _____

Purpose of Water Usage: _____

* Use of approved fill sites (designated hydrants) is limited to the vehicle identified below *

Vehicle Make: _____ Type: _____ License #: _____ Tank Capacity: _____ gal

Vehicle Backflow Inspection Date: ____/____/____ Inspected By: _____ CCS/BAT Cert #: _____

In consideration of monthly service charge payment, this permit authorizes use on designated hydrants at designated fill site only.

Note: This permit is non-transferable and must be carried in the vehicle listed above.

Class Number _____ Received By: _____

- This Tank Lot Permit Requires:
 - Use of hydrants at designated fill site only (see map provided). All other hydrants require a separate permit for use.
 - Backflow device inspection reports certified upon installation (at start of a new project) and annually thereafter.
 - Vehicle backflow inspection is required annually and for each vehicle. Call 425-452-5208 to schedule inspection.
 - A individual permit is required for *each* vehicle using designated fill sites and **permit sticker must be visible on tank.**
- **Failure to comply with the standard requirements can result in the immediate termination of this permit and the issuance of any applicable fines per Bellevue Civil Enforcement code chapter 1.18 and is subject to escalating enforcement including up to \$500 per day per violation and up to \$5,000 per day for repeat violations.**
- **Tank Lot Quantity Reports must be submitted by the 15th of each month. Charges will be billed at \$7.39 per ccf based on the tank capacity and charged based on one fill-up per day for the number of days the permit is active (assuming one fill up per day) if the log is not received by the 15th of the following month even if no water is used.**
- Notify Utilities immediately if you encounter any damages to a hydrant at 425-452-7840.
- For billing or fill log questions contact Elvie Muya at 425-452-6989.
- To schedule Tank Lot Inspection for additional vehicles, contact **John Sizemore** at 425-452-5208.

Do you understand and agree to adhere to the conditions listed above? YES NO

Print name: _____ **Sign:** _____ **Date:** ____/____/____

Hydrant Wrench Return Information (Utilities Stores Personnel)

Wrench Issue Date: ____/____/____ Issued To (Print full name): _____ Issued By (Signature): _____

Wrench Return Date: ____/____/____ Returned By (Print full name): _____ Received By (Signature): _____



PO Box 90012 – BELLEVUE, WA 98009-9012

**Bellevue Utilities
Tanker Inspection Report**

Permit Number: _____ Issued Date: ___/___/___ **Expires: 12/31/2015**

Business Name: _____ Business Phone: _____

Contact Name: _____ Contact Phone: _____

Address: _____ City: _____ State: _____ Zip: _____

Vehicle Make: _____ License #: _____ State: _____

Tank Type: _____ Tank Capacity (gallons): _____ **Photo ? YES NO**

(To be completed by Tank Inspector Only)

Required minimum air gap provided? YES NO

Method of filling inspected and approved? YES NO

Attach copy of test report for approved backflow prevention assembly used in lieu of air gap test (if applicable)

Additional comments: _____

Inspected By: CCS/BAT CERTIFICATION #: _____ DATE: ___/___/___

(print name): _____ (sign name): _____

Conditions:

**This inspection and permit are only good for the truck listed on this report.
This inspection expires with permit.**

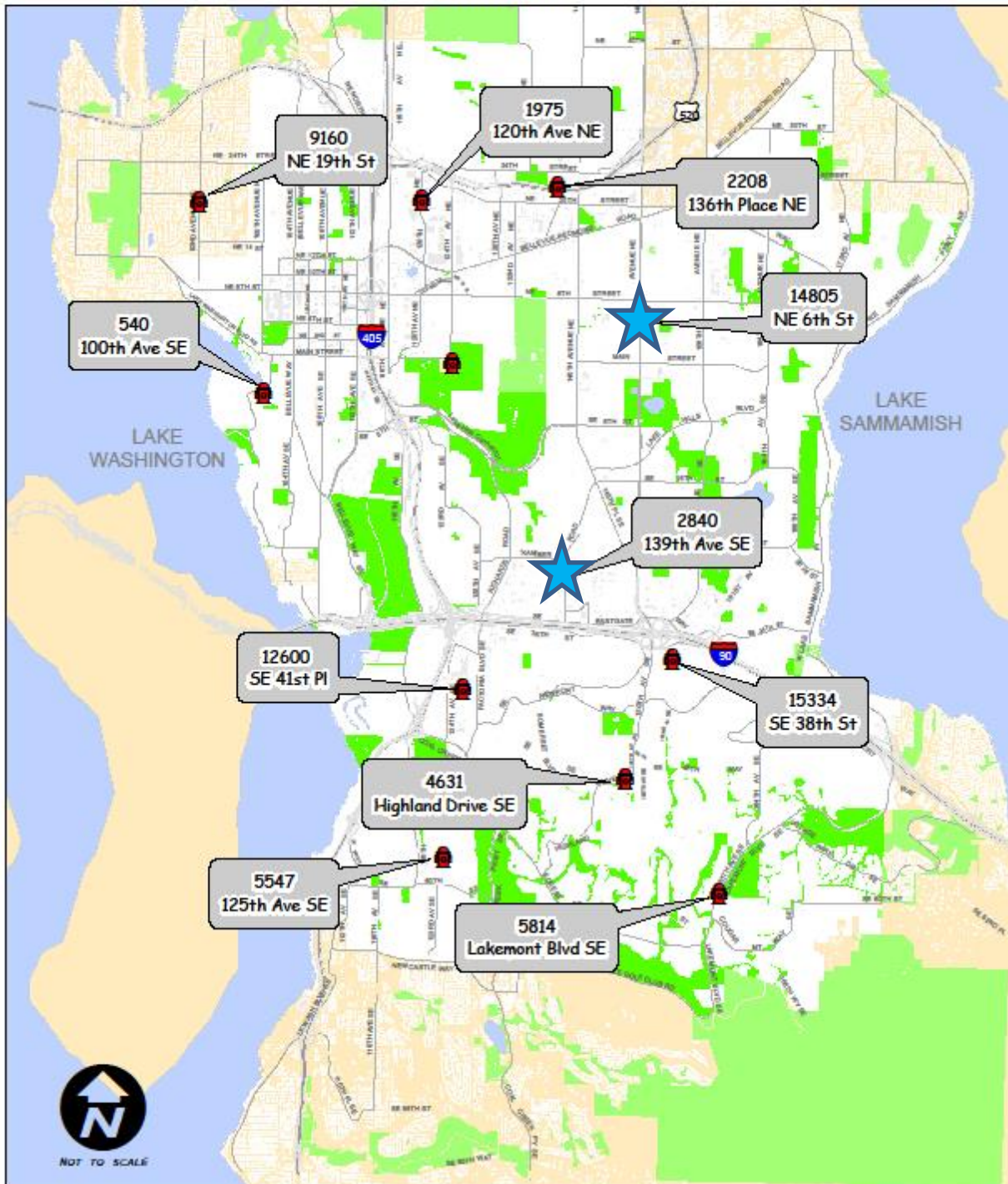
Permits & equipment are issued at the Bellevue Service Center - 2901 115th AVE NE, Bellevue 98004

***Tank Lot Permits are not issued until the vehicle has been inspected by Bellevue Utilities.
Call 425-452-5208 for scheduling inspections or questions regarding backflow assemblies.***

Tank Lot Quantity Reports must be submitted by the 15th of each month. **Charges will be billed at \$7.39 per ccf based on the tank capacity and charged based on one fill-up per day for the number of days the permit is active (assuming one fill up per day) if the log is not received by the 15th of the following month.**

Designated Hydrants for Tank Lot Permits

Designated hydrants are painted **Blue** and have posted signs
City of Bellevue



Hydrants marked with a star ★ are only operational between 8am – 5pm

Notify Utilities immediately if there is any damage or problems with the hydrant at 425-452-7840

Tank sticker must be fixed to the rear drivers side of the tank at all times.

Keep copy of permit with the vehicle.

If you lose or damage your permit sticker, contact 425-452-7840.

DEFINITIONS, ABBREVIATIONS AND ACRONYMS

“Approved air gap” means a physical separation between the free-flowing end of a potable water supply pipeline and the overflow rim of an open or non-pressurized receiving vessel. To be an air gap approved by the department, the separation must be at least:

- Twice the diameter of the supply piping measured vertically from the overflow rim of the receiving vessel, and in no case be less than one-inch, when unaffected by vertical surfaces (sidewalls); and:
- Three times the diameter of the supply piping, if the horizontal distance between the supply pipe and a vertical surface (sidewall) is less than or equal to three times the diameter of the supply pipe, or if the horizontal distance between the supply pipe and intersecting vertical surfaces (sidewalls) is less than or equal to four times the diameter of the supply pipe and in no case less than one and one-half inches.

“Approved atmospheric vacuum breaker” means an AVB of make, model, and size that is approved by the department. AVB’s that appear on the current approved backflow prevention assemblies list developed by the University of Southern California foundation for Cross-Connection Control and Hydraulic Research or that are listed or approved by other nationally recognized testing agencies (such as IAPMO, ANSI, or UL) acceptable to the Authority Having Jurisdiction are considered approved by the department.

“Approved backflow preventer” means an approved air gap, an approved backflow prevention assembly, or an approved AVB. The terms “approved backflow prevention” “approved air gap,” or “approved backflow prevention assembly” refer only to those approved backflow preventers relied upon by the purveyor for the protection of the public water system. The requirements of WAC 246-290-490 do not apply to backflow preventers installed for other purposes.

“Approved backflow prevention assembly” means an RPBA, RPDA, DCVA, DCDA, PVBA, or SVBA of make, model, and size that is approved by the department. Assemblies that appear on the current approved backflow prevention assemblies list developed by the University of Southern California Foundation for Cross-Connection Control and Hydraulic Research or other entity acceptable to the department are considered approved by the department.

“Authority Having Jurisdiction” means the local official, board, department, or agency authorized to administer and enforce the provisions of the Uniform Plumbing Code as adopted under chapter 19.27 RCW.

“Backflow” means the undesirable reversal of flow of water or other substances through a cross-connection into the public water system or consumer’s potable water system.

“Backflow assembly tester” means a person holding a valid BAT certificate issued in accordance with chapter 246-292 WAC.

“Backpressure” means a pressure (caused by a pump, elevated tank or piping, boiler, or other means) on the consumer’s side of the service connection that is greater than the pressure provided by the public water system and which may cause backflow.

“Backsiphonage” means backflow due to a reduction in system pressure in the purveyor’s distribution system and/or consumer’s water system.

“Combination fire protection system” means a fire sprinkler system that:

- Is supplied only by the purveyor’s water;
- Does not have a fire department pumper connection; and
- Is constructed of approved potable water piping and materials that serve both the fire sprinkler system and the consumer’s potable water system.

“Consumer” means any person receiving water from a public water system from either the meter, or the point where the service line connects with the distribution system if no meter is present. For purposes of cross-connection control, “consumer” means the owner or operator of a water system connected to a public water system through a service connection.

“Consumer’s water system” as used in WAC 246-290-490, means any potable and/or industrial water system that begins at the point of delivery from the public water system and is located on the consumer’s premises. The consumer’s water system includes all auxiliary sources of supply, storage, treatment, and distribution facilities, piping, plumbing, and fixtures under the control of the consumer.

“Cross-connection” means any actual or potential physical connection between a public water system or the consumer’s water system and any source of non-potable liquid, solid, or gas that could contaminate the potable water supply by backflow.

“Cross connection control program” means the administrative and technical procedures the purveyor implements to protect the public water system from contamination via cross-connections as required in WAC 246-290-490.

“Cross-connection control specialist” means a person holding a valid CCS certificate issued in accordance with chapter 246-292 WAC.

“Cross-connection control summary report” means the annual report that describes the status of the purveyor’s cross-connection control program.

“Customer” means any person receiving water from a public water system from either the meter, or the point where the service line connects with the distribution system if no meter is present. For purposes of cross-connection control, “customer” means the owner or operator of a water system connected to a public water system through a service connection.

“Department” refers to the Washington State Department of Health (DOH).

“Flow-through fire protection system” means a fire sprinkler system that:

- Is supplied only by the purveyor’s water;
- Does not have a fire department pumper connection;
- Is constructed of approved potable water piping and materials to which sprinkler heads are attached; and
- Terminates at a connection to a toilet or other plumbing fixture to prevent the water from becoming stagnant.

“High health cross-connection hazard” means a cross-connection which could impair the quality of potable water and create an actual public health hazard through poisoning or spread of disease by sewage, industrial liquids or waste.

“In-premises protection” means a method of protecting the health of consumers served by the consumer’s potable water system, located within the property lines of the consumer’s premises by the installation of an approved air gap or backflow prevention assembly at the point of hazard, which is generally a plumbing fixture.

“Low health cross-connection hazard” means cross-connection that could cause an impairment of the quality of potable water to a degree that does not create a hazard to the public health, but does adversely and unreasonably affect the aesthetic qualities of such potable waters for domestic use.

“Premises Isolation” means a method of protecting a public water system by installation of approved air gaps or approved backflow prevention assemblies at or near the service connection or alternative location acceptable to the purveyor to isolate the consumer’s water system from the purveyor’s distribution system.

“Reclaimed water” means effluent derived in any part from sewage from a wastewater treatment system that has been adequately and reliably treated, so that as a result of that treatment, it is suitable for beneficial use or a controlled use that would not otherwise occur, and it is no longer considered wastewater.

“Unapproved auxiliary water supply” means a water supply (other than the purveyor’s water supply) on or available to the consumer’s premises that is either not approved for human consumption by the health agency having jurisdiction or is not otherwise acceptable to the purveyor.

“Uniform Plumbing Code” means the code adopted under RCW 19.27.031 (4) and amended under chapter 51-46 WAC. This code establishes statewide minimum plumbing standards applicable within the property lines of the consumer’s premises.

“Used water” means water which has left the control of the purveyor.

Abbreviations and Acronyms

AG	Air Gap
AHJ	Authority Having Jurisdiction
AVB	Atmospheric Vacuum Breaker
AWWA	American Water Works Association
BAT	Backflow Assembly Tester (for WAC 246-290-490)
DOH	State of Washington Department of Health
CCP	Cross-Connection Control Program
CCS	Cross-Connection Control Specialist
CITY	Refers to the City of Bellevue
COB	City of Bellevue
DCDA	Double Check Detector Assembly
DCVA	Double Check Valve Assembly
IAPMO	International Association of Plumbing and Mechanical Officials
PVBA	Pressure Vacuum Breaker Assembly
RPBA	Reduced Pressure Backflow Assembly
RPDA	Reduced Pressure Detector Assembly
SVBA	Spill Resistant Vacuum Breaker Assembly
Table 9	Refers to WAC 246-290-490(4)(iii)(Table 9)
UBC	Uniform Building Code
UL	Underwriters Laboratories Inc.
UPC	Uniform Plumbing Code

Reference Guide

Ordinance 5963

Water Purveyor Authority on Public Property	24.02.220
Authority Having Jurisdiction (AHJ)	24.02.220
Authority on Private Property	24.02.220
Enforcement:	24.02.280
Access to Premises	24.02.220
Shut Off Water	24.02.190A (2)
Requiring a Backflow Assembly	24.02.190 C (2)

Cross-Connection Program

Authority to Operate the Program	Section 1.1
Customers Responsibility	1.1.1
CCS Responsibilities	1.1.1
Installation Time Frames.	1.1.2
Schedule for Evaluation and Reevaluation	1.1.3
New Connections	1.1.4
Existing Connections Survey Premises	1.1.5
Existing Commercial Connections	1.1.6
With No Backflow Assembly	
With A DCVA or DCDA	
All Connections	1.1.7
Premises Isolation	1.1.7A
In-Premises Isolation.	1.1.7B
Fire Connections	1.1.8
Procedures for Field Evaluation	1.1.9
Re-inspection	1.1.9
Enforcement	1.1.9
Backflow Preventers, Eliminate Cross-Connection	1.1.10
High and Low Hazards	1.1.10
Approval of Backflow Preventers	1.1.10A
Installation of Backflow Preventers	1.1.10B
Time Frames	1.1.10B
By-pass Piping	1.1.10B
CCS for Inspection of Assemblies	1.1.10B
Inspection and/or testing of Backflow Preventers	1.1.10C
Backflow Assembly Testing Quality Control	1.1.11
Backflow Incident Response Procedure	1.1.12
Cross-Connection Education	1.1.13
Records and Reports	1.1.14
Reclaimed Water	1.1.15
Recommended Protection at Fixtures and Equipment	Appendix J

