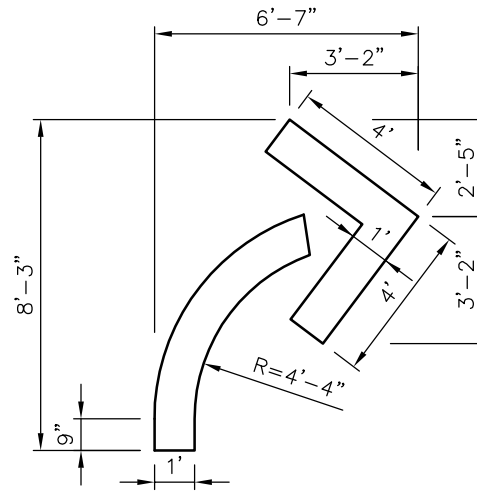


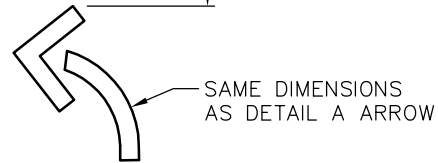
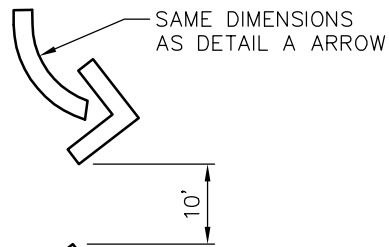
**DETAIL A - LEFT**



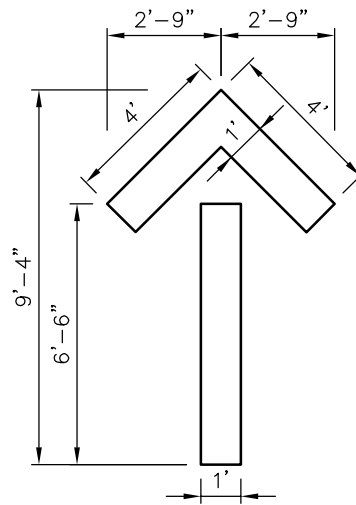
**DETAIL B - RIGHT**

**NOTES:**

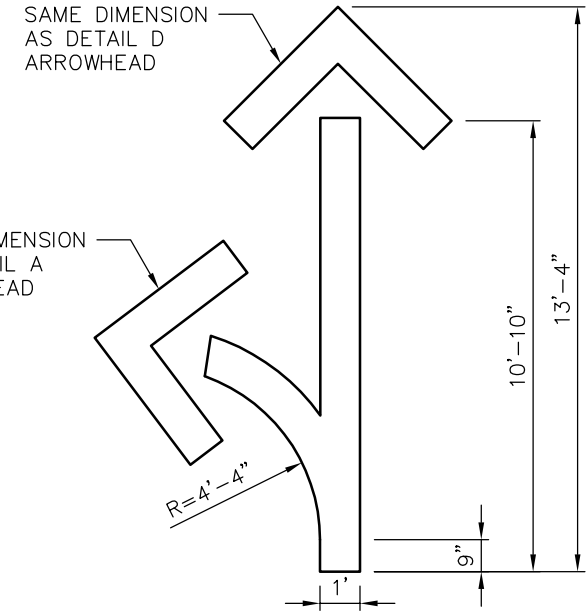
1. MATERIAL SHALL BE THERMOPLASTIC UNLESS OTHERWISE APPROVED BY THE ENGINEER.
2. SEE STD. DWG. CH-300-1 FOR MATERIAL SPECIFICATIONS.



**DETAIL C - TWO WAY LEFT TURN**



**DETAIL D - STRAIGHT**



**DETAIL E - STRAIGHT/LEFT**



**PAVEMENT ARROW MARKINGS**

DRAWING NUMBER	CH-170-1
SCALE	NONE
REVISION DATE	1/18
DEPARTMENT	TRANS