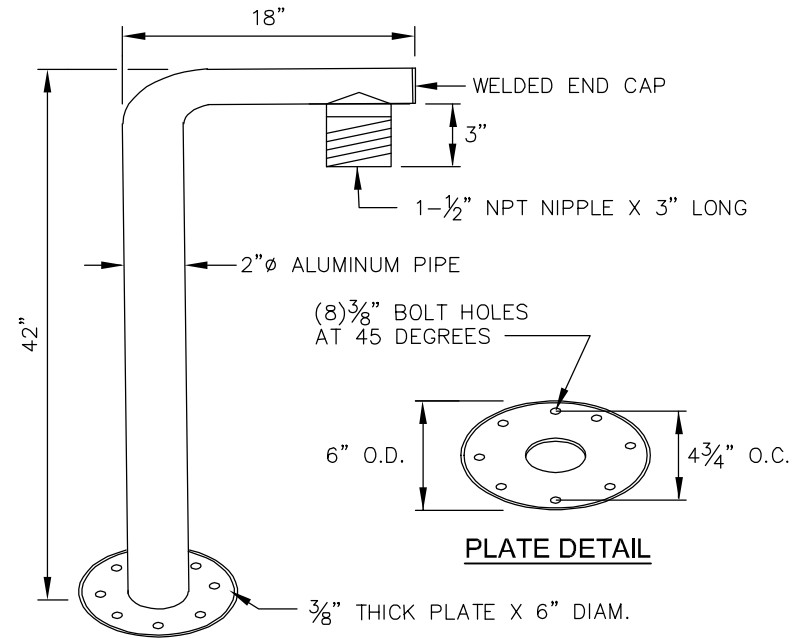
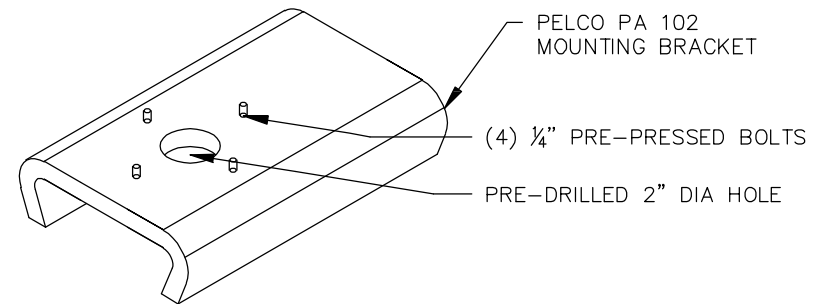


TYPICAL LUMINAIRE ARM MOUNT



CAMERA "L" MOUNT DETAIL



MOUNTING BRACKET DETAIL



VIDEO CAMERA MOUNT – LUMINAIRE ARM DETAIL

DRAWING NUMBER	SL-260-1
SCALE	NONE
REVISION DATE	12/22
DEPARTMENT	TRANS