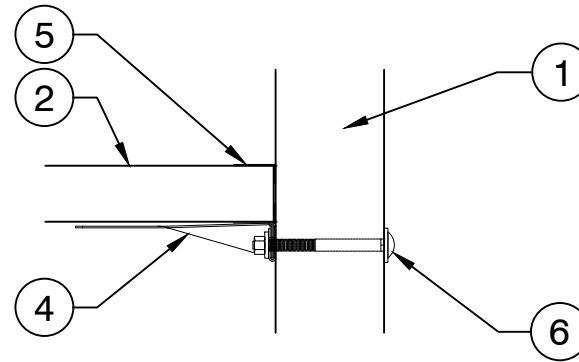


A - SECTION



B - PLAN

NOTES:

1. UNLESS OTHERWISE SPECIFIED, ALL WOOD TO BE D.F. #2 OR BETTER, PT ACQ/CBA, OR APPROVED EQUAL.
2. UNLESS OTHERWISE SPECIFIED, USE SIMPSON #10x1 1/2" STRUCTURAL CONNECTOR SCREWS, OR APPROVED EQUAL, FOR SECURING TENSION TIES TO JOISTS.

- | | |
|---|--|
| <p>① 6 3/4" x 12" BEAM</p> <p>② 4x10 JOIST</p> <p>③ DECKING</p> | <p>④ (2) SIMPSON HTT4 TENSION TIE, OR APPROVED EQUAL</p> <p>⑤ SIMPSON HU410 CLOSED FACE HANGER, OR APPROVED EQUAL</p> <p>⑥ 3/4" GALV. CARRIAGE BOLTS, NUTS AND WASHERS, LENGTH AS REQUIRED</p> |
|---|--|



City of
Bellevue

TITLE:

TRAIL - FOOTBRIDGE/BOARDWALK - WITH PIN PILE
FOOTINGS - KICK RAIL OPTION - POST TO BEAM CONN.

DRAWING #:	PK-TR-10F
SCALE:	N.T.S.
REVISION DATE:	03-2021
DEPARTMENT:	PARKS