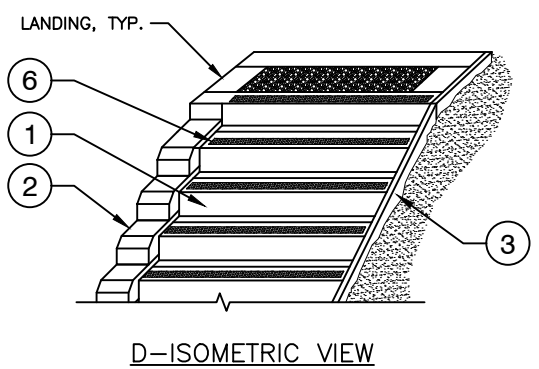
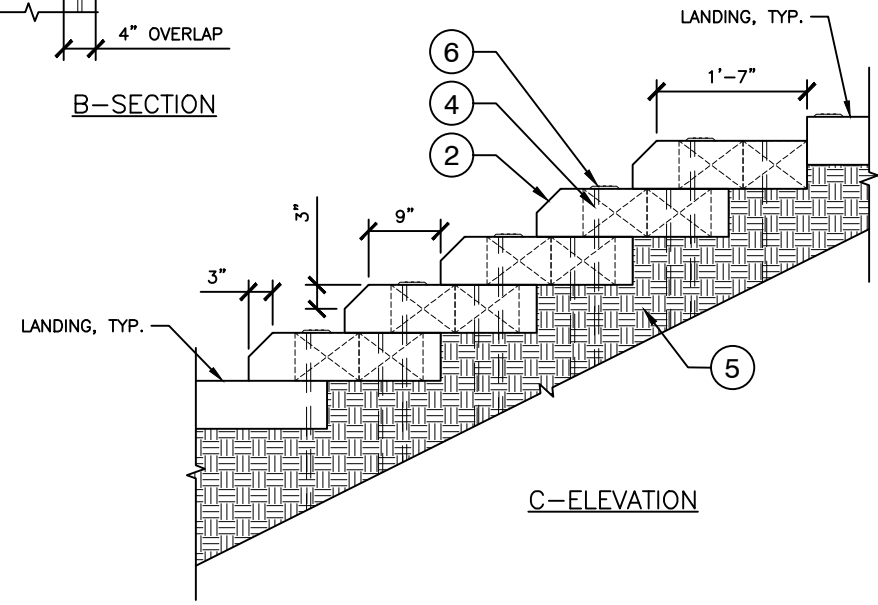
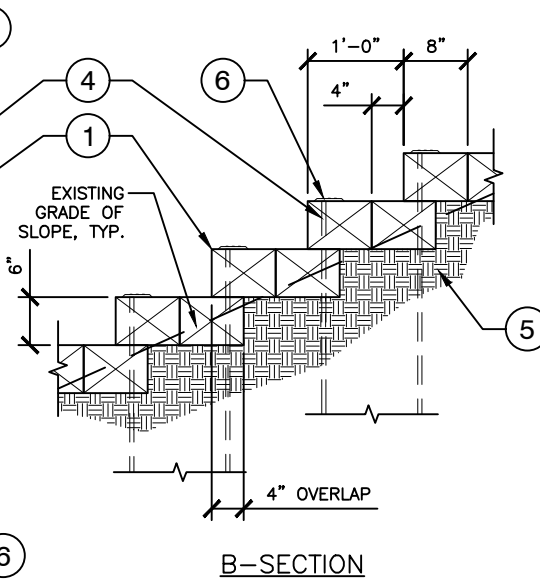
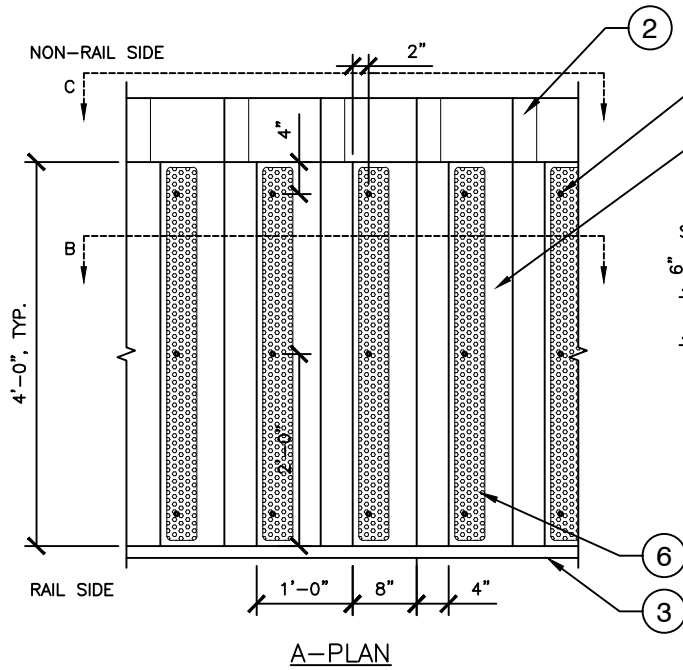


NOTES:

1. STAIR TIMBERS TO BE D.F. #2 OR BETTER WITH ROUGH SAWN WALKING SURFACE, PT ACQ/CBA, OR APPROVED EQUAL.
2. ALL CUTS MADE IN THE FIELD SHALL BE TREATED WITH COPPER NAPHTHENATE WOOD PRESERVATIVE, OR APPROVED EQUAL.

- ① 6x8 (TRUE) TIMBER STAIR TREAD.
- ② 6x8 (TRUE) CHEEK WALL ALONG NON-RAIL SIDE, D.F. #2 OR BETTER, PT ACQ/CBA, OR APPROVED EQUAL.
- ③ 2x8 CHEEK WALL ON RAIL SIDE, D.F. #2 OR BETTER, PT ACQ/CBA, OR APPROVED EQUAL (SEE RAIL WITH CHEEK WALL DETAIL)
- ④ 3' LONG #4 REBAR ANCHOR
- ⑤ COMPACT NATIVE SOIL
- ⑥ ALUMINUM NON-SLIP TREADS, BROWN IN COLOR, INSTALLED ON ALL TREADS
-USE HANDI-TREADS OR APPROVED EQUAL
-INSTALL PER MANUFACTURER'S SPECIFICATIONS



City of
Bellevue

TITLE:

TRAIL - TIMBER STAIRS - WITH CHEEK WALL

DRAWING #:	PK-TR-06D
SCALE:	N.T.S.
REVISION DATE:	03-2021
DEPARTMENT:	PARKS