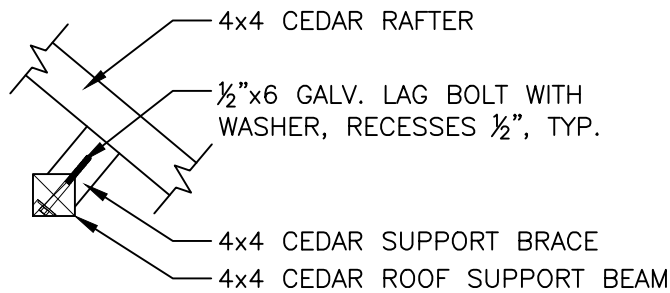
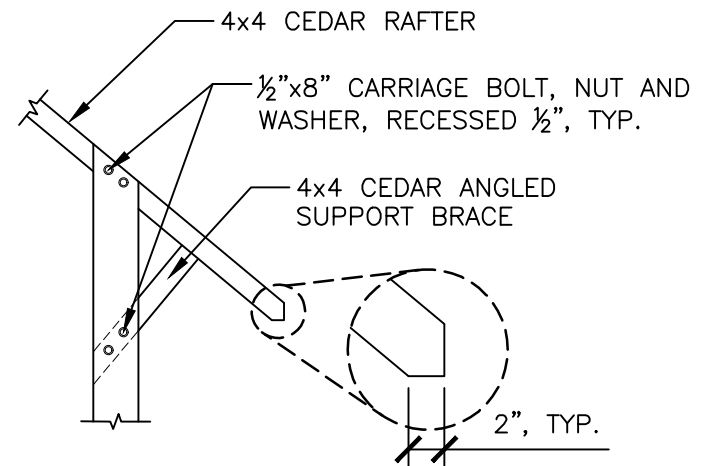


- 4x4 CEDAR RAFTERS
- 4x4 CEDAR ROOF SUPPORT BEAMS BETWEEN RAFTERS
- 4x4 CEDAR SUPPORT BEAMS BETWEEN POSTS  
-ANCHORED TO POSTS WITH 1/2"x5" CARRIAGE BOLT, NUT AND WASHER, RECESSED 1/2", TYP.
- KIOSK POST: (2) 3x8 CEDAR, SEE POST DETAIL
- 6" DIA. COPPER SPHERE ROOF FINIAL, TYP.
- KIOSK ROOF (BY LAYER):
  - 5/8" ROUGH SAWN FIR PLYWOOD SHEATHING, FACING DOWN, STAINED TO MATCH RAFTERS
  - 3/4" CDX PLYWOOD SHEATHING
  - #15 ROOF FELT UNDERLAYMENT
  - #1 GRADE PRE-STAINED CEDAR SHAKES/SHINGLES, OR BELLEVUE PARKS APPROVED ALTERNATIVE
- \*NO NAIL/STAPLE PROTRUSIONS THROUGH UNDERSIDE

A-ROOF LAYOUT



B-SUPPORT BRACING AT RAFTER



C-ANGLED SUPPORT BRACING AT POST



City of  
Bellevue

TITLE:

# SIGN - 3 SIDED KIOSK - ROOF LAYOUT AND BRACING DETAILS

DRAWING #:	PK-SI-19C
SCALE:	N.T.S.
REVISION DATE:	12-2018
DEPARTMENT:	PARKS