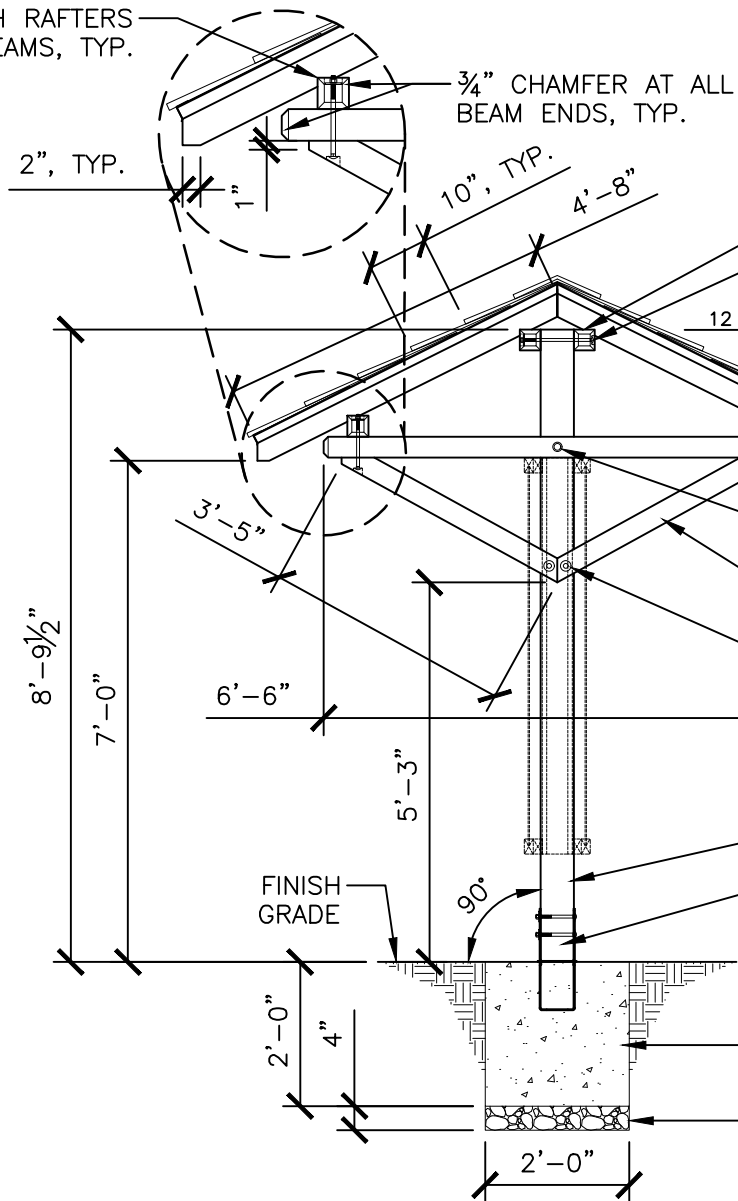


NOTCH RAFTERS AT BEAMS, TYP.



3/4" CHAMFER AT ALL BEAM ENDS, TYP.

2", TYP.

10", TYP.

4'-8"

4x4 CEDAR PURLIN BEAM

1/2"x12" CARRIAGE BOLT, NUT AND WASHER TO SECURE BEAMS TO POSTS, RECESSED 1/2", TYP.

KIOSK ROOF, SEE ELEVATION AND ROOF LAYOUT

4x4 CEDAR PURLIN BEAM

1x2 CEDAR TRIM AT RAKES, TYP.

EDGE FLASHING AT EAVES, TYP.

4x4 CEDAR RAFTERS, SEE ROOF LAYOUT

4x4 CEDAR ROOF SUPPORT BEAM

1/2"x9" CARRIAGE BOLT, NUT AND WASHER TO SECURE ROOF SUPPORT BEAMS TO ANGLED ROOF BRACE AND POSTS, RECESSED 1/2", TYP.

4x4 CEDAR ANGLED ROOF BRACE

1/2"x6 1/2" LAG BOLT AND WASHER TO SECURE ROOF BRACE TO POST, RECESSED 1/2", TYP.

6x6 CEDAR POST

SIMPSON CB-66 COLUMN BASE BRACKET OR APPROVED EQUAL

-SECURE BRACKET TO POST WITH (2) EA. 1/2"x6 1/2" CARRIAGE BOLT, NUT AND WASHER, TYP.

CONCRETE FOOTING

5/8" MINUS CRUSHED GRAVEL COMPACTED TO 95% DENSITY

8'-9 1/2"

7'-0"

6'-6"

3'-5"

5'-3"

FINISH GRADE

90°

2'-0"

4"

2'-0"

12

6



City of Bellevue

TITLE:

SIGN - 1 OR 2 SIDED KIOSK - SIDE ELEVATION

DRAWING #:	PK-SI-18B
SCALE:	N.T.S.
REVISION DATE:	12-2018
DEPARTMENT:	PARKS