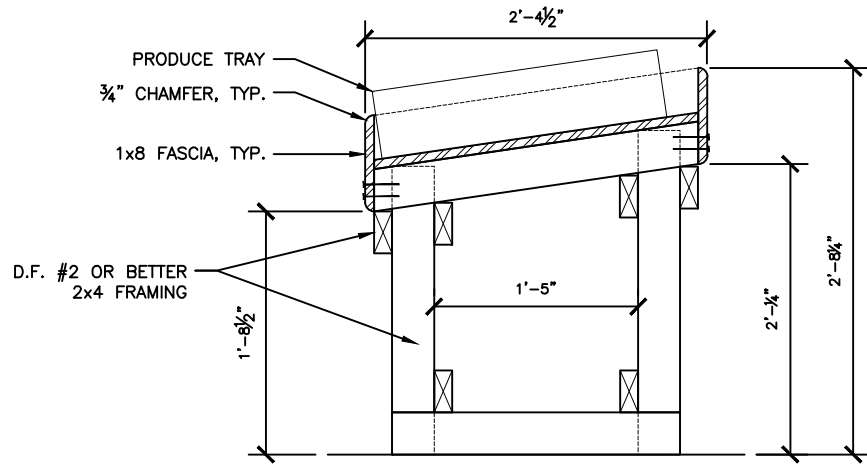


SIDE ELEVATION



SIDE SECTION

NOTES:

1. UNLESS OTHERWISE SPECIFIED, ALL WOOD SHALL BE PT ACQ/CBA, OR APPROVED EQUAL.
2. ALL MATERIALS TO BE FASTENED WITH 32D GALV. NAILS, OR APPROVED EQUAL.



City of
Bellevue

TITLE:

PRODUCE STAND - FIXED - SIDE ELEVATION &
SECTION

DRAWING #:	PK-SF-08B
SCALE:	N.T.S.
REVISION DATE:	12-2018
DEPARTMENT:	PARKS