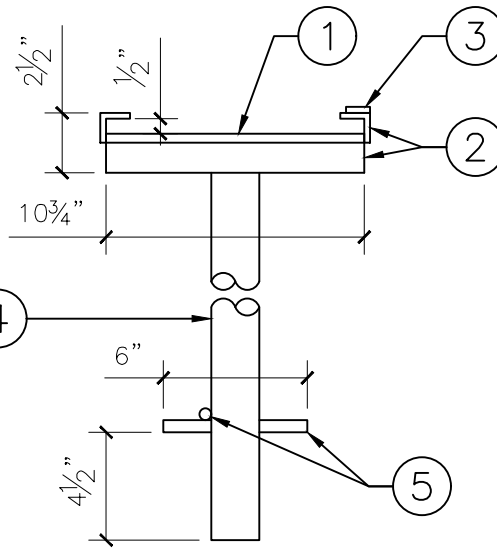
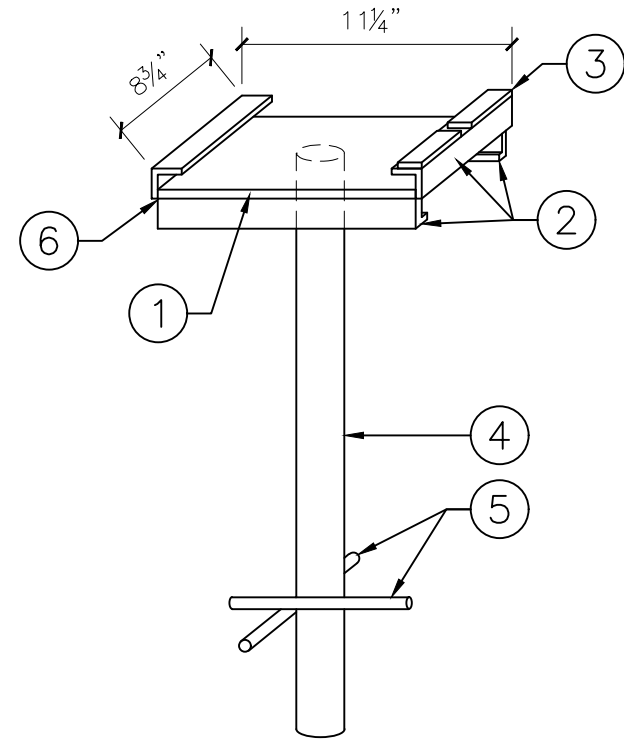


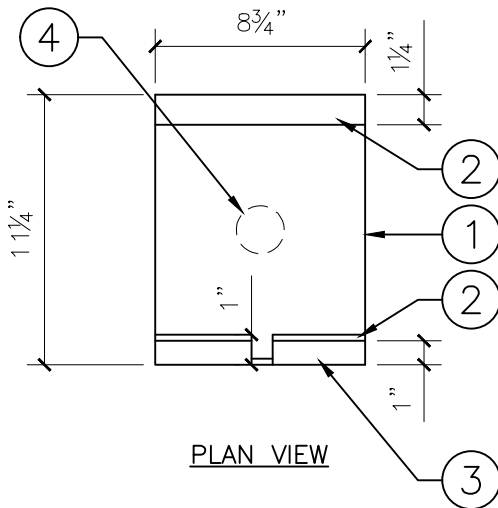
SIDE VIEW



FRONT VIEW



ISOMETRIC VIEW - N.T.S.



PLAN VIEW

- ① 3/8" THICK GALV. STEEL PLATE
- ② 1/4"x1 1/4"x1 1/4" GALV. ANGLE IRON
- ③ 1/4"x1" GALV. STEEL BAR
- ④ 2" DIA. SCH 40 GALV. STEEL POST
- ⑤ 1/2" DIA. GALV. STEEL ROD
- ⑥ FINISHED GRADE OF HARDSURFACE PAVEMENT



City of
Bellevue

TITLE:

BOLLARD - WOOD - REMOVABLE - ANCHOR

DRAWING #:	PK-SF-01C
SCALE:	N.T.S.
REVISION DATE:	12-2018
DEPARTMENT:	PARKS