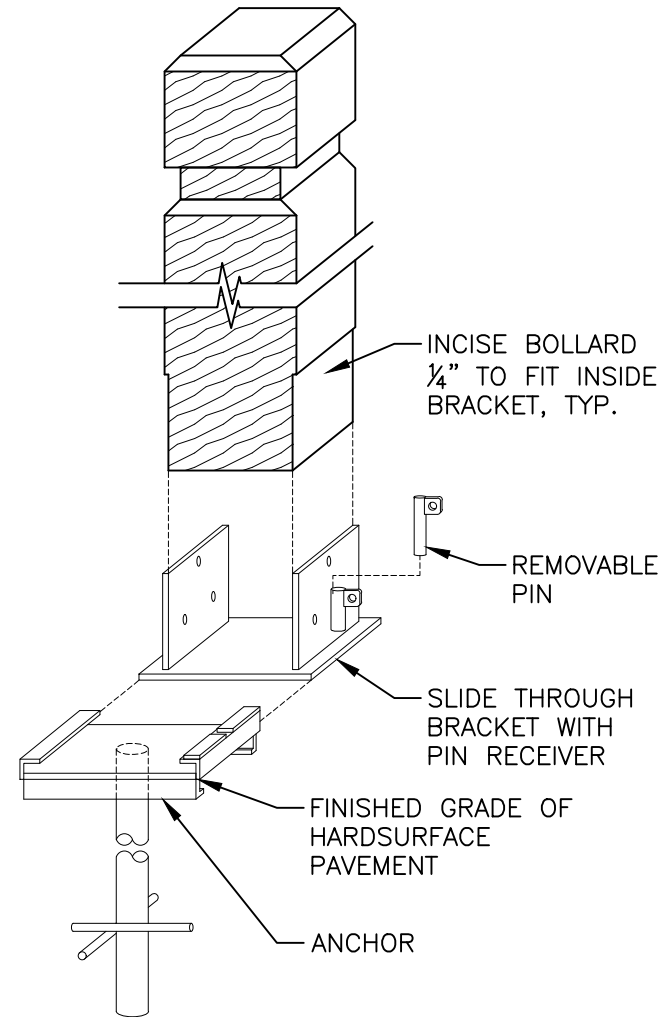


SECTION



ISOMETRIC VIEW - N.T.S.



City of  
Bellevue

TITLE:

**BOLLARD - WOOD - REMOVABLE**

DRAWING #:	PK-SF-01A
SCALE:	N.T.S.
REVISION DATE:	12-2018
DEPARTMENT:	PARKS