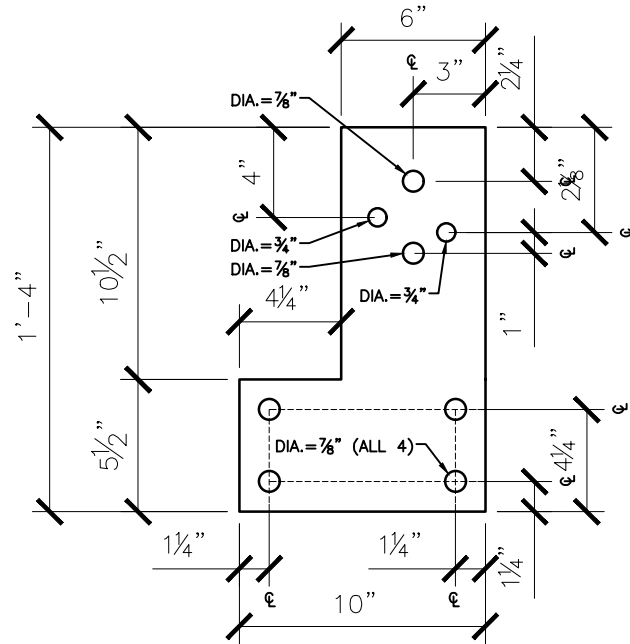


ELEVATION



SIDE PLATE DIMENSIONS

**NOTES:**

1. SIDE PLATE SHALL BE 1/4" HOT DIPPED GALV. STEEL.
2. 3/4" HOLES TO RECEIVE 1/2" DIA. HEX BOLT FOR RAILING TO POST CONNECTION. 7/8" HOLES TO RECEIVE 3/4" DIA. LAG BOLTS FOR PLATE TO STAIR TREAD AND POST CONNECTIONS.
3. USE 6 5/8" LONG LAG BOLTS AT POSTS AND 12" LONG LAG BOLTS AT STAIR TREADS.
4. ALL BOLTS AND ASSOCIATED HARDWARE SHALL BE HOT DIPPED GALVANIZED.



City of  
Bellevue

TITLE:

**COAL CREEK NATURAL AREA - TRAIL - TIMBER STAIRS  
- RAILING - CONNECTION AT BOTTOM OF STAIRS**

DRAWING #:	PK-CC-08G
SCALE:	N.T.S.
REVISION DATE:	12-2018
DEPARTMENT:	PARKS