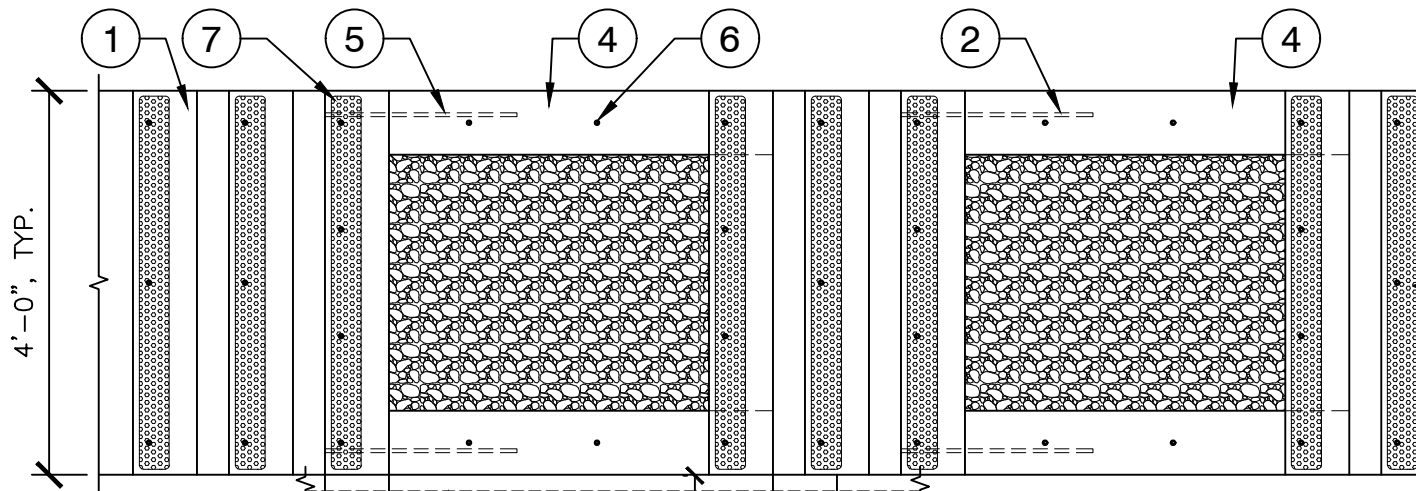


- ① 6x8 TIMBER STAIRS, SEE TIMBER STAIR DETAIL
- ② 5/8" MINUS CRUSHED GRAVEL BACKFILL COMPACTED TO 95% DENSITY
- ③ COMPACT NATIVE SOIL
- ④ 6x8 TIMBER LANDING  
-EXTEND SIDES UNDER UPHILL STAIR TREAD
- ⑤ 2' LONG #4 REBAR OR 1/2" DIA. GALV. SPIKE DRIVEN THROUGH FACE OF RISER INTO LANDING TIMBER AT LANDING (BOTH SIDES)
- ⑥ 3' LONG #4 REBAR AT 1'-0" O.C. ON ALL SIDES OF LANDING
- ⑦ ALUMINUM NON-SLIP TREADS, BROWN IN COLOR, INSTALLED ON ALL TREADS  
-USE HANDI-TREADS OR APPROVED EQUAL  
-INSTALL PER MANUFACTURER'S SPECIFICATIONS



**NOTES:**

- 1. LANDING TIMBERS TO D.F. #2 OR BETTER WITH ROUGH SAWN WALKING SURFACE, PT ACQ/CBA, OR APPROVED EQUAL.
- 2. ALL CUTS MADE IN THE FIELD SHALL BE TREATED WITH COPPER NAPHTHENATE WOOD PRESERVATIVE, OR APPROVED EQUAL.

POST AND HAND RAIL, TYP.  
-SEE HAND RAIL DETAILS

EXTEND TIMBER TREAD 8 1/4" BEYOND STAIR EDGE AS NECESSARY TO PROVIDE ANCHOR LOCATIONS FOR RAIL POSTS AT 4'-0" O.C., OR AS SPECIFIED



City of  
Bellevue

TITLE:

COAL CREEK NATURAL AREA - TRAIL - TIMBER  
STAIRS - LANDING

DRAWING #:	PK-CC-07B
SCALE:	N.T.S.
REVISION DATE:	03-2021
DEPARTMENT:	PARKS