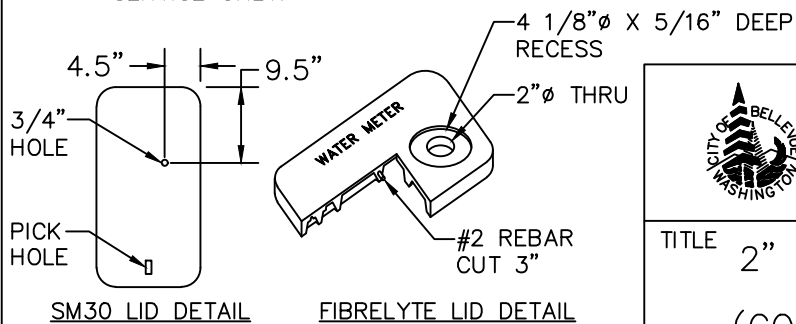


PRIVATE PLUMBING,
ADD BALL VALVE FOR
IRRIGATION ONLY.

- (A) DUCTILE IRON TEE WITH 4" BRANCH, FL. WITH (3) GATE VALVES (ON NEW MAINS), TAPPING TEE WITH 4" BRANCH, FL. WITH (1) GATE VALVE (ON EXISTING MAINS).
- (B) 4" GATE VALVE, FL.
- (C) 4" REDUCING COMPANION FLANGE WITH 2" TAP.
- (D) COUPLING, 2" MALE IRON PIPE THREAD BY 2" PACK JOINT (COMPRESSION FITTING) FOR COPPER, FORD C14-77, MUELLER NO. H-15451, OR APPROVED EQUAL.
- (E) 2" COPPER TUBING, TYPE K.
- (F) 2" STREET ELL, BRASS, FEMALE IRON PIPE THREAD BY FEMALE IRON PIPE THREAD.
- (G) 2" NIPPLE, BRASS, M.I.P.T. x M.I.P.T., LENGTH AS REQUIRED TO MEET PROPER GRADE.
- (H) 2" ANGLE METER VALVE WITH PADLOCK WINGS, FEMALE IRON PIPE BY FLANGE END FOR METER, FORD FV13-777W, MUELLER NO. H-14286, OR APPROVED EQUAL.
- (I) 2" COMPANION FLANGE, FORD NO. 7F FLANGE, OR APPROVED EQUAL. TO BE WIRED OR SECURED TO ANGLE VALVE.
- (J) METER BOX:
CARSON INDUSTRIES 1730-18 BCFXL METER BOX WITH OLDCASTLE #0200158S, FIBRELYTE FL36P, SOLID BLACK LID WITH EMBEDDED REBAR, MARKED "WATER METER", 4 1/8" X 5/16" RECESS, 2" HOLE, OR APPROVED EQUAL. OLYMPIC FOUNDRY SM30, OR APPROVED EQUAL, IN SIDEWALK AND IN AREAS WITH VEHICULAR TRAFFIC. LID TO HAVE 3/4" HOLE DRILLED THROUGH FOR AMR, SEE LID DETAIL BELOW.
- (K) TWO PIECE CAST IRON VALVE BOX TO FIT, RICH SEATTLE TYPE #045 - WITH RECESSED HANDLE LID, OR APPROVED EQUAL, SEE DETAIL W-11.
- (L) 2" PLASTIC AMR PLUG, FORD METER BOX CO. MODEL PTP-BR-3-25 IF OLDCASTLE LID IS USED.

NOTES:

1. SERVICE LINE SHALL BE PERPENDICULAR TO THE WATERMAIN, UNLESS OTHERWISE APPROVED BY THE ENGINEER.
2. APPROVED BACKFLOW PREVENTION DEVICE MUST BE INSTALLED PER D.O.H. REQUIREMENTS. IRRIGATION OR FIRE SPRINKLER SYSTEM SHALL NOT BE PUT INTO SERVICE UNTIL THE BACKFLOW PREVENTION DEVICE IS APPROVED BY THE CITY OF BELLEVUE WATER QUALITY TECHNICIAN.
3. CUSTOMER'S SIDE OF SERVICE SHALL NOT BE PLUMBED INSIDE THE METER BOX UNTIL THE METER IS SET.
4. METER WILL BE SUPPLIED AND INSTALLED BY THE CITY OF BELLEVUE.
5. SEE DETAIL W-55 FOR VALUE MARKER TO BE LOCATED IN VALUE BOX CONNECTION TO MAIN. FOR FIRELINE SERVICE ONLY.



SM30 LID DETAIL

FIBRELYTE LID DETAIL

JANUARY 2022

NO SCALE



City of
Bellevue

WATER UTILITIES

TITLE 2" IRRIGATION OR FIRE SPRINKLER
WATER SERVICE
(COMMERCIAL AND MULTI-FAMILY)

NO. W-32