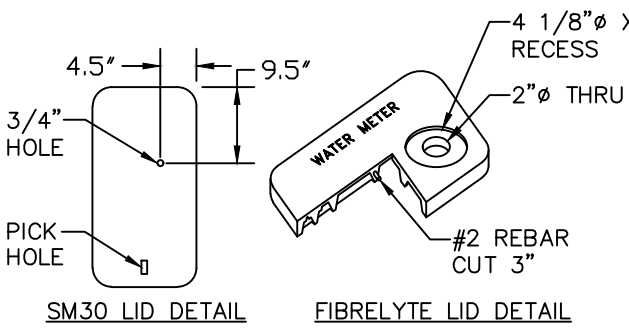


PRIVATE PLUMBING,  
ADD BALL VALVE FOR  
IRRIGATION ONLY.

- (A) DUCTILE IRON TEE WITH 4" BRANCH, FL WITH (3) GATE VALVES (ON NEW MAINS), TAPPING TEE WITH 4" BRANCH, FL WITH (1) GATE VALVE (ON EXISTING MAINS).
- (B) 4" GATE VALVE, FL.
- (C) 4" REDUCING COMPANION FLANGE WITH 1 1/2" TAP.
- (D) COUPLING, 1 1/2" MALE IRON PIPE THREAD BY 1 1/2" PACK JOINT (COMPRESSION FITTING) FOR COPPER, FORD C14-66, MUELLER NO. H-15451, OR APPROVED EQUAL.
- (E) 1 1/2" COPPER TUBING, TYPE K.
- (F) 1 1/2" STREET ELL, BRASS, FEMALE IRON PIPE THREAD BY FEMALE IRON PIPE THREAD.
- (G) 1 1/2" NIPPLE, BRASS, M.I.P.T. x M.I.P.T., LENGTH AS REQUIRED TO MEET PROPER GRADE.
- (H) 1 1/2" ANGLE METER VALVE WITH PADLOCK WINGS, FEMALE IRON PIPE BY FLANGED END FOR METER, FORD FV13-666W, MUELLER NO. H-14286, OR APPROVED EQUAL.
- (I) 1 1/2" COMPANION FLANGE, FORD NO. 6F FLANGE, OR APPROVED EQUAL. TO BE WIRED OR SECURED TO ANGLE VALVE.
- (J) METER BOX:  
CARSON INDUSTRIES 1730-18 BCFXL METER BOX WITH OLDCASTLE #0200158S, FIBRELYTE FL36P, SOLID BLACK LID WITH EMBEDDED REBAR, MARKED "WATER METER", 4 1/8" X 5/16" RECESS, 2" HOLE, OR APPROVED EQUAL. OLYMPIC FOUNDRY SM30, OR APPROVED EQUAL, IN SIDEWALK AND IN AREAS WITH VEHICULAR TRAFFIC. LID TO HAVE 3/4" HOLE DRILLED THROUGH FOR AMR, SEE LID DETAIL BELOW.
- (K) TWO PIECE CAST IRON VALVE BOX TO FIT, RICH SEATTLE TYPE #045 - WITH RECESSED HANDLE LID, OR APPROVED EQUAL. SEE DETAIL W-11.
- (L) 2" PLASTIC AMR PLUG, FORD METER BOX CO. MODEL PTP-BR-3-25 IF OLDCASTLE LID IS USED.

**NOTES:**

1. SERVICE LINE SHALL BE PERPENDICULAR TO THE WATERMAIN, UNLESS OTHERWISE APPROVED BY THE ENGINEER.
2. APPROVED BACKFLOW PREVENTION DEVICE MUST BE INSTALLED PER D.O.H. REQUIREMENTS. IRRIGATION SYSTEM SHALL NOT BE PUT INTO SERVICE UNTIL THE BACKFLOW PREVENTION DEVICE IS APPROVED BY THE CITY OF BELLEVUE WATER QUALITY TECHNICIAN.
3. IF SERVICE IS PLUMBED ON CUSTOMER'S SIDE PRIOR TO METER SET, 13-1/4" SPACING MUST BE ALLOWED FOR METER.
4. METER WILL BE SUPPLIED AND INSTALLED BY THE CITY OF BELLEVUE.



City of  
Bellevue

WATER UTILITY

TITLE

1 1/2" IRRIGATION WATER SERVICE  
(COMMERCIAL AND MULTI-FAMILY)