

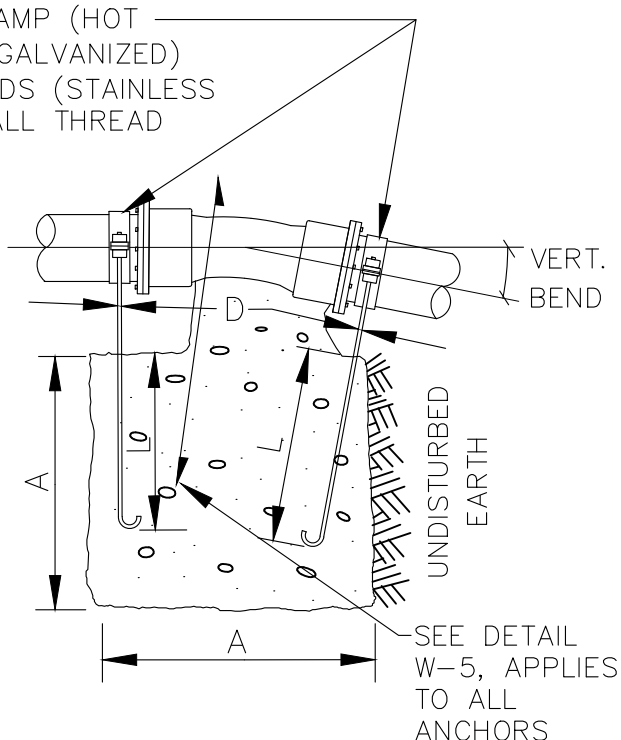
VERTICAL BLOCKING
FOR 11 1/4°-22 1/2°-30° BENDS

| PIPE SIZE | V B | CU FT | A | D | L |
|-----------|---------|-------|------|------|------|
| 4" | 11 1/4° | 8 | 2.0' | 3/4" | 1.5' |
| | 22 1/2° | 11 | 2.2' | | 2.0' |
| | 30° | 17 | 2.6' | | |
| 6" | 11 1/4° | 11 | 2.2' | 3/4" | 2.0' |
| | 22 1/2° | 25 | 2.9' | | |
| | 30° | 41 | 3.5' | | |
| 8" | 11 1/4° | 16 | 2.5' | 3/4" | 2.0' |
| | 22 1/2° | 47 | 3.6' | | |
| | 30° | 70 | 4.1' | | |
| 12" | 11 1/4° | 32 | 3.2' | 3/4" | 2.0' |
| | 22 1/2° | 88 | 4.5' | | |
| | 30° | 132 | 5.1' | | |
| 16" | 11 1/4° | 70 | 4.1' | 7/8" | 3.0' |
| | 22 1/2° | 184 | 5.7' | | |
| | 30° | 275 | 6.5' | | |
| 20" | 11 1/4° | 91 | 4.5' | 7/8" | 3.0' |
| | 22 1/2° | 225 | 6.1' | | |
| | 30° | 330 | 6.9' | | |
| 24" | 11 1/4° | 128 | 5.0' | 1" | 3.5' |
| | 22 1/2° | 320 | 6.8' | | |
| | 30° | 480 | 7.9' | | |

VERTICAL BLOCKING FOR 45° BENDS

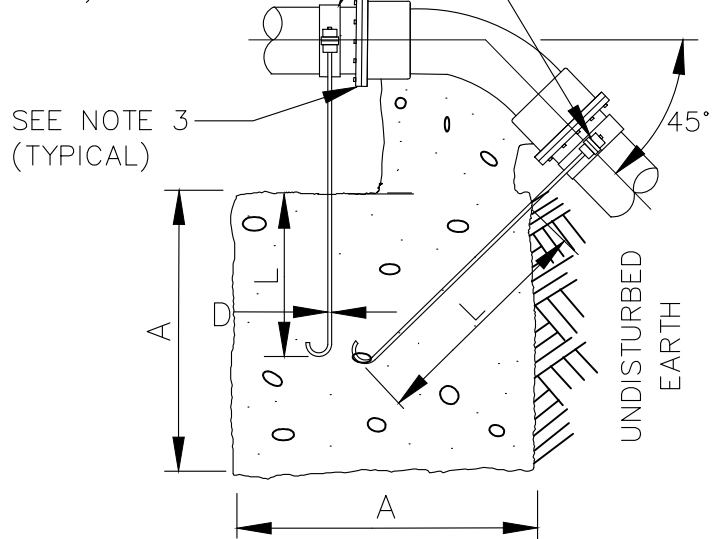
| | | | | | |
|-----|-----|-----|------|--------|------|
| 4" | 45° | 30 | 3.1' | 3/4" | 2.0' |
| 6" | | 68 | 4.1' | | |
| 8" | | 123 | 5.0' | | |
| 12" | | 232 | 6.1' | 3/4" | 2.5' |
| 16" | | 478 | 7.8' | 1 1/8" | 4.0' |
| 20" | | 560 | 8.2' | 1 1/4" | |
| 24" | | 820 | 9.4' | 1 3/8" | 4.5' |

PIPE CLAMP (HOT DIPPED GALVANIZED) WITH RODS (STAINLESS STEEL-ALL THREAD 316SS)



VERTICAL BLOCKING
FOR 11 1/4°, 22 1/2°, & 30° BENDS

PIPE CLAMP (HOT DIPPED GALVANIZED) WITH RODS (STAINLESS STEEL-ALL THREAD 316SS)



VERTICAL BLOCKING
FOR 45° BENDS

NOTES:

1. CONCRETE BLOCKING BASED ON 200 PSI PRESSURE AND 2500 PSI CONCRETE.
2. LEAVE BLOCK OPEN OR SHEETED 24 HOURS MINIMUM.
3. JOINT RESTRAINT SEE APPROVED MATERIALS LIST.



City of Bellevue

WATER UTILITY

TITLE

VERTICAL BLOCKING
FOR CONNECTING TO
EXISTING MAIN