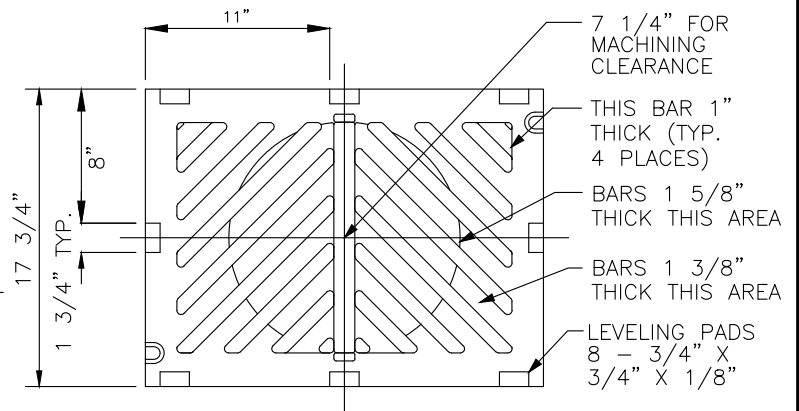
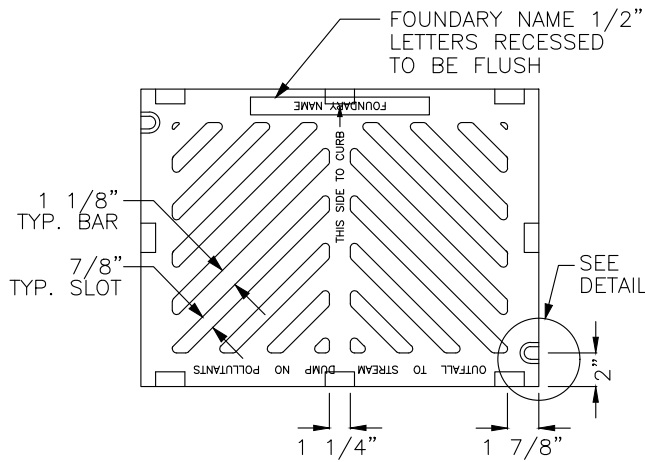


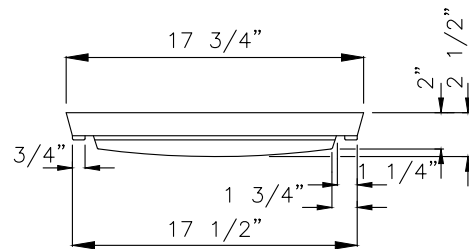
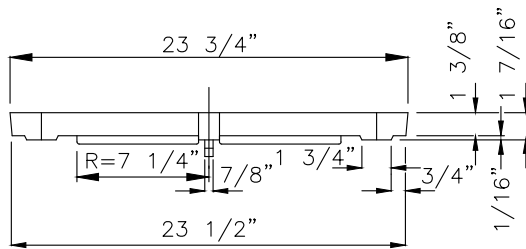
TOP VIEW

BOTTOM VIEW

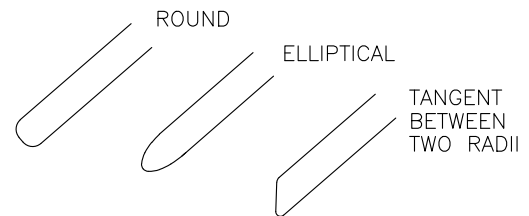
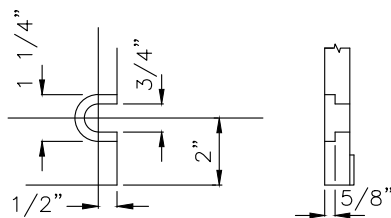


SIDE VIEW

END VIEW



SLOT DETAIL  
SEE NOTE 1



NOTES:

1. SLOT FORMED AND RECESSED FOR 5/8"-11 NC X 2 SOCKET HEAD (ALLEN HEAD) BOLT.
2. GRATE SHALL BE DUCTILE IRON.
3. SHALL CONFORM TO SEC. 9-05.15 OF THE STANDARD SPECIFICATIONS.
4. USE VANED GRATE IN CURB LINE.
5. USE FRAME SHOWN IN STANDARD DETAIL.



City of  
Bellevue

STORM AND SURFACE  
WATER UTILITY

TITLE

PARKING LOT/AREA  
GRATE

NO. D-7