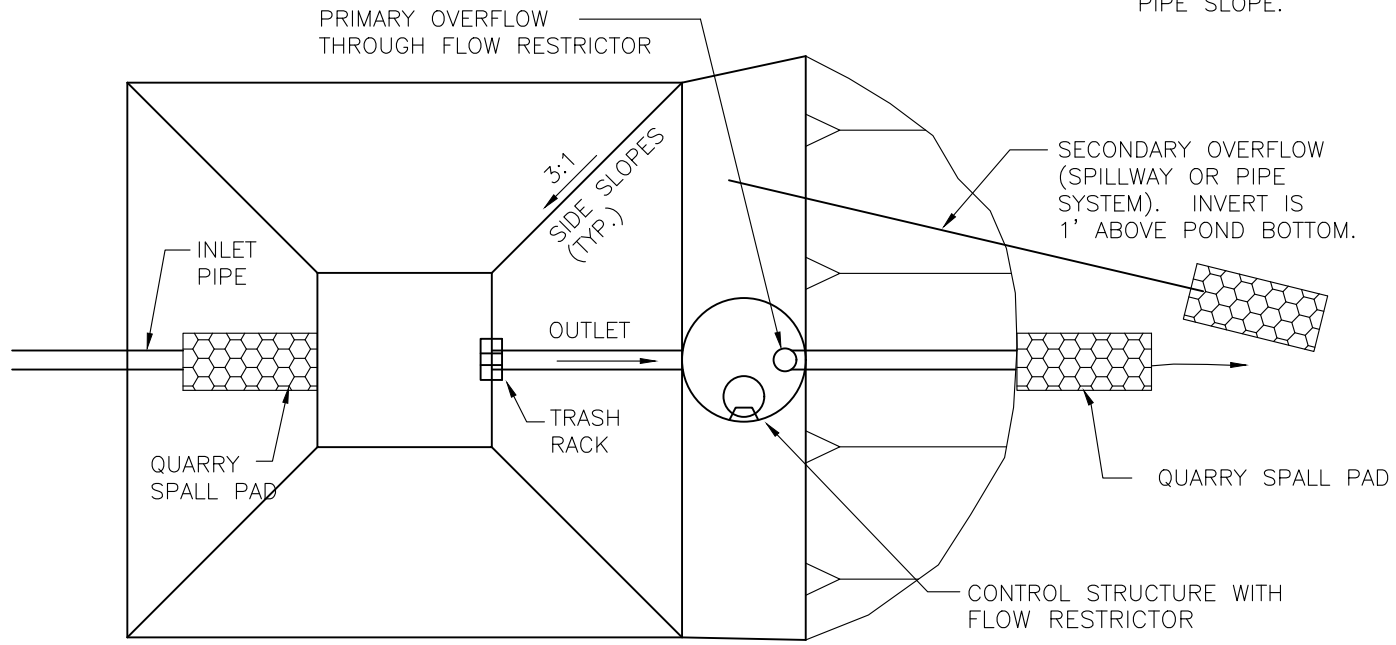


PLAN VIEW



NOTES:

1. LANDSCAPE PLAN IS REQUIRED TO BEAUTIFY OR SCREEN POND.
2. 6' MINIMUM TOP WIDTH OF EMBANKMENT, 15' MINIMUM FOR VEHICLE ACCESS TO CONTROL STRUCTURE.
3. SCREW TYPE SHEAR GATE REQUIRED FOR ALL SYSTEMS TO BE MAINTAINED BY THE CITY.
4. CAPACITY OF OUTLET PIPE MUST BE EQUAL TO OR GREATER THAN DISCHARGE DURING EMERGENCY OVERFLOW CONDITION, IF PIPE OVERFLOW IS USED IN LIEU OF SPILLWAY, 8-INCH MINIMUM DIAMETER.
5. PENETRATE CARRIER PIPE THROUGH VAULT WALL.
6. USE APPROVED WATERTIGHT STRUCTURE ADAPTOR.
7. SLIP SMOOTH-BORE HORIZONTAL LEG OF FLOW CONTROL TEE INSIDE CARRIER PIPE.
8. NO FLOW CONTROL JOINT OUTSIDE OF STRUCTURE.



City of Bellevue

STORM AND SURFACE WATER UTILITY

TITLE

DRY DETENTION POND

NO. D-30