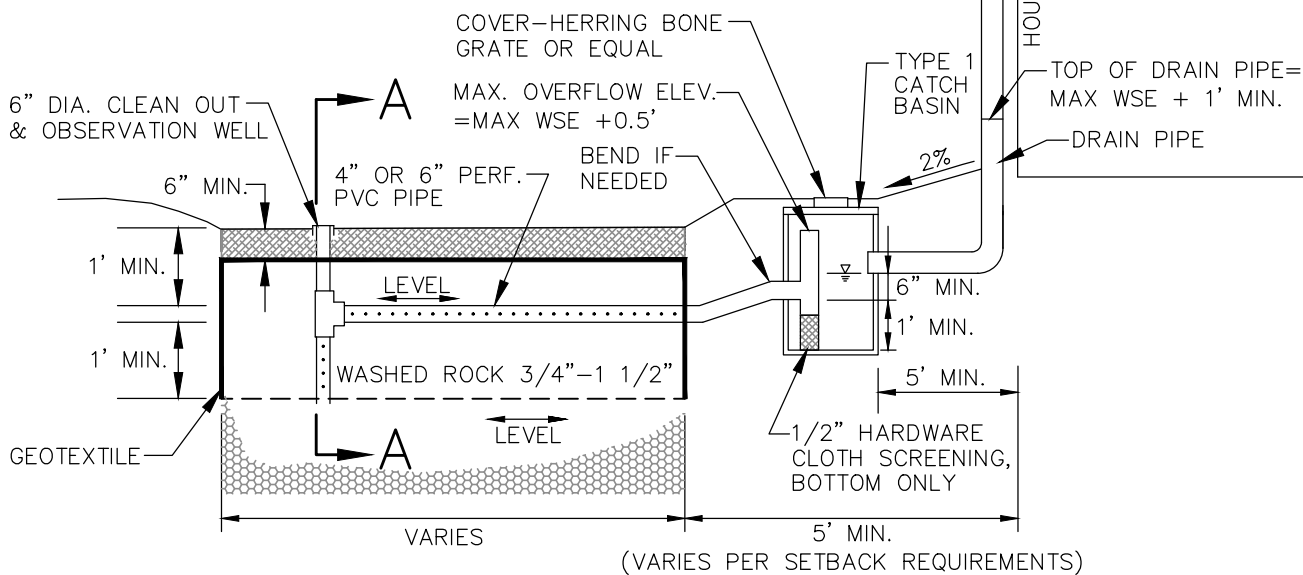
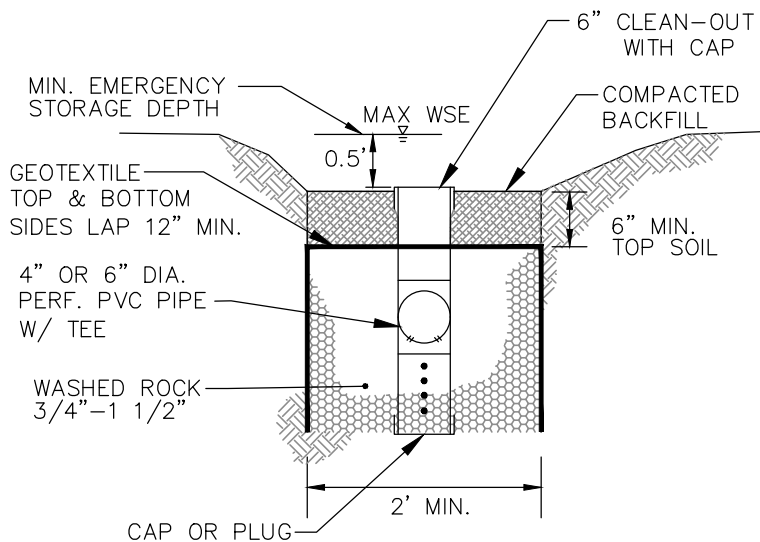


PLAN VIEW
NO SCALE



PROFILE VIEW
NO SCALE



SECTION A-A
NO SCALE

NOTES:

1. TRENCH SHALL NOT BE LOCATED WITHIN 100' OF A WELL OR 30' FROM ANY PART OF A SEPTIC SYSTEM.
2. CENTER PERF. PIPE HORIZONTALLY IN TRENCH.
3. REMOVE SEDIMENT AND FLOATABLES FROM TYPE 1 CATCH BASIN AT LEAST ANNUALLY.



City of Bellevue

STORM AND SURFACE
WATER UTILITY

TITLE

ROOF DOWNSPOUT
INFILTRATION TRENCH

NO. NDP-23