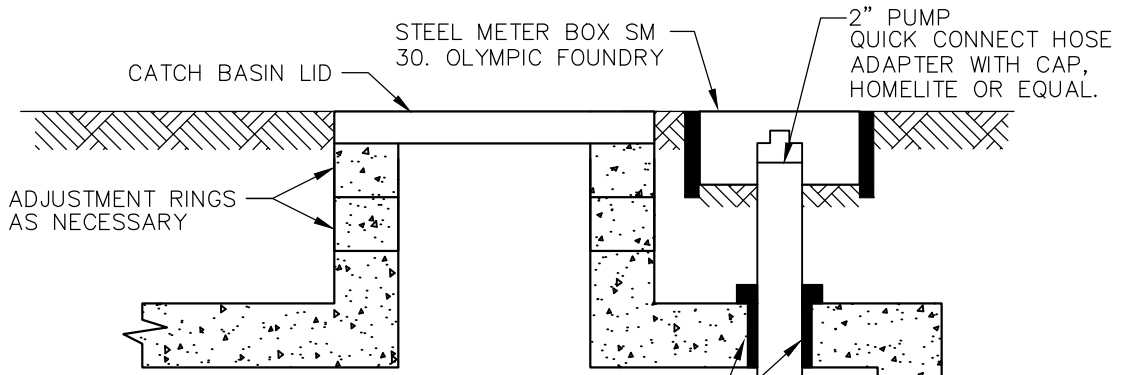
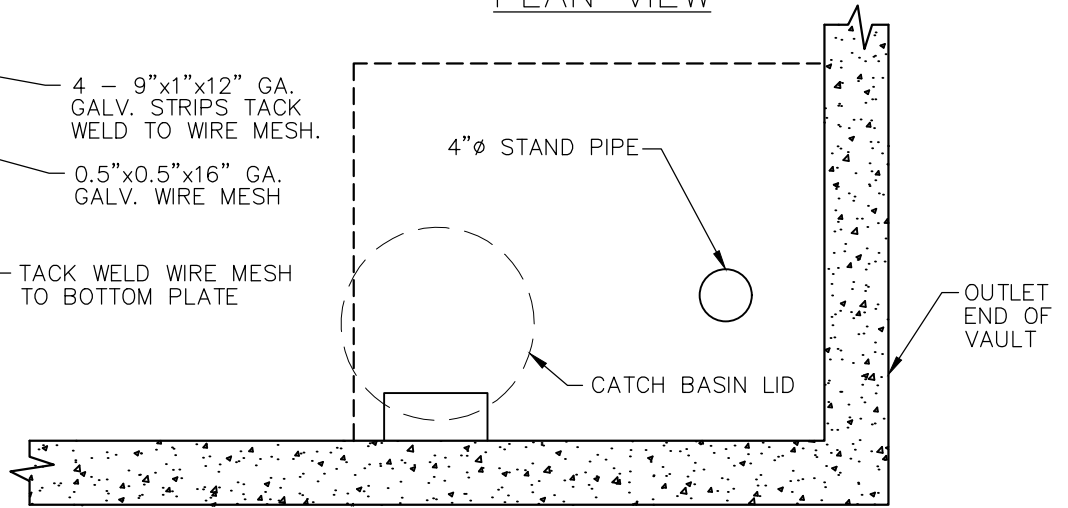


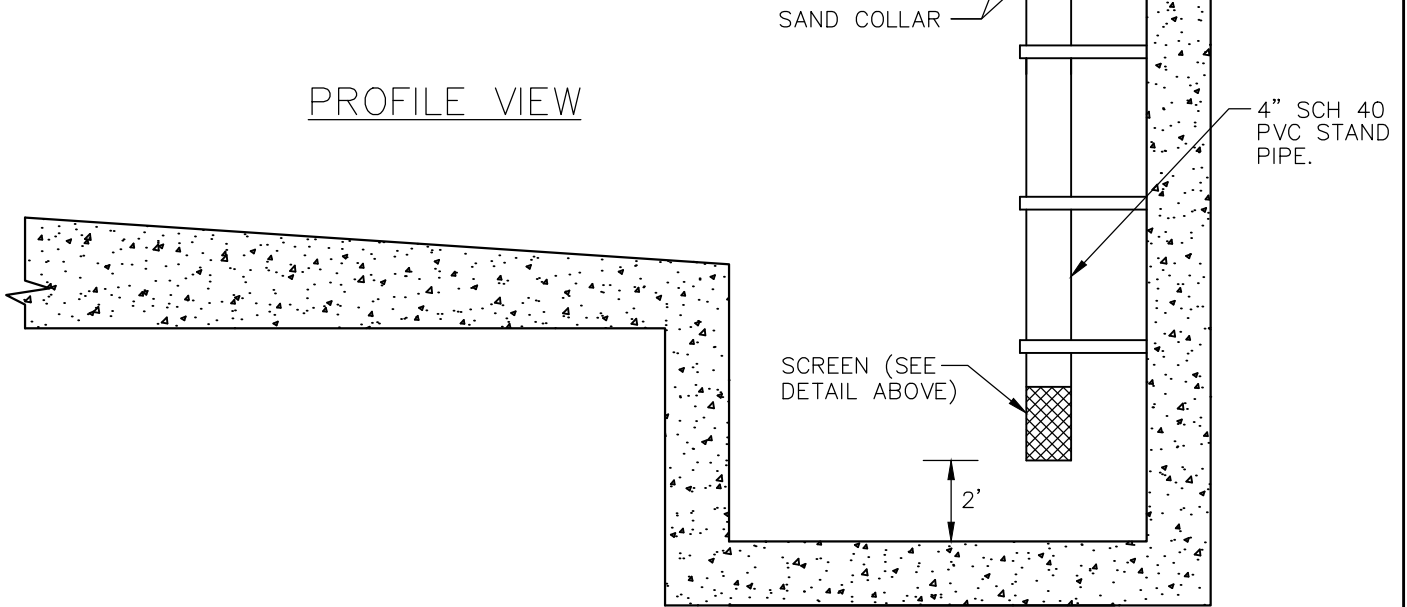
SCREEN

NOTE:  
ATTACH SCREEN TO  
CMP CROSS W/ 6 1"  
GALVANIZED METAL  
SCREWS—2 PER STRAP,  
OR USE STAINLESS  
STEEL PIPE CLAMP

PLAN VIEW



PROFILE VIEW



NOTE:  
TO BE USED ONLY WHEN  
ALLOWED BY THE CITY



City of  
Bellevue

STORM AND SURFACE  
WATER UTILITY

TITLE

SUMP WITH RISER PIPE