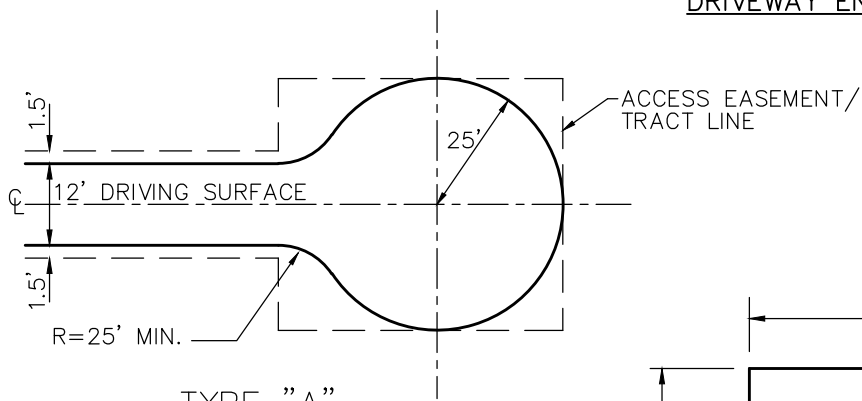
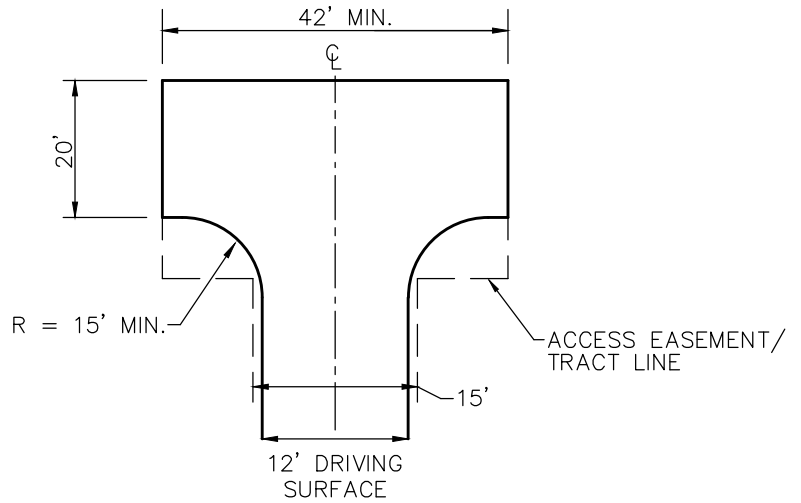


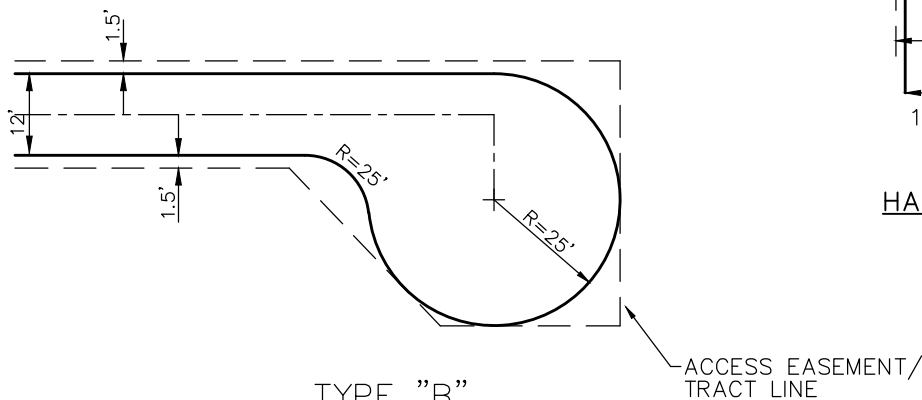
**DRIVEWAY ENTRANCE**



**TYPE "A" TURNAROUND**



**HAMMERHEAD**



**TYPE "B" TURNAROUND**



**City of Bellevue**

STORM AND SURFACE WATER UTILITY

TITLE

DRAINAGE FACILITY MAINTENANCE ACCESS