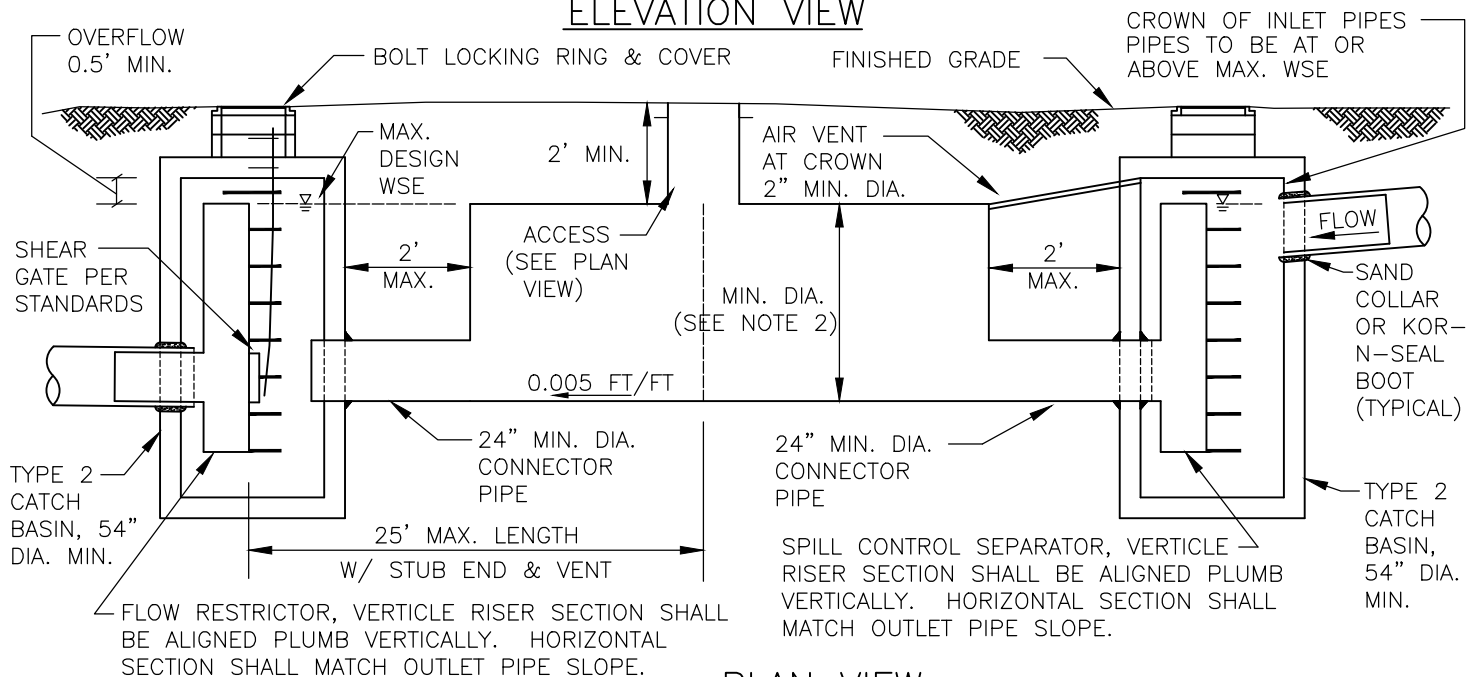
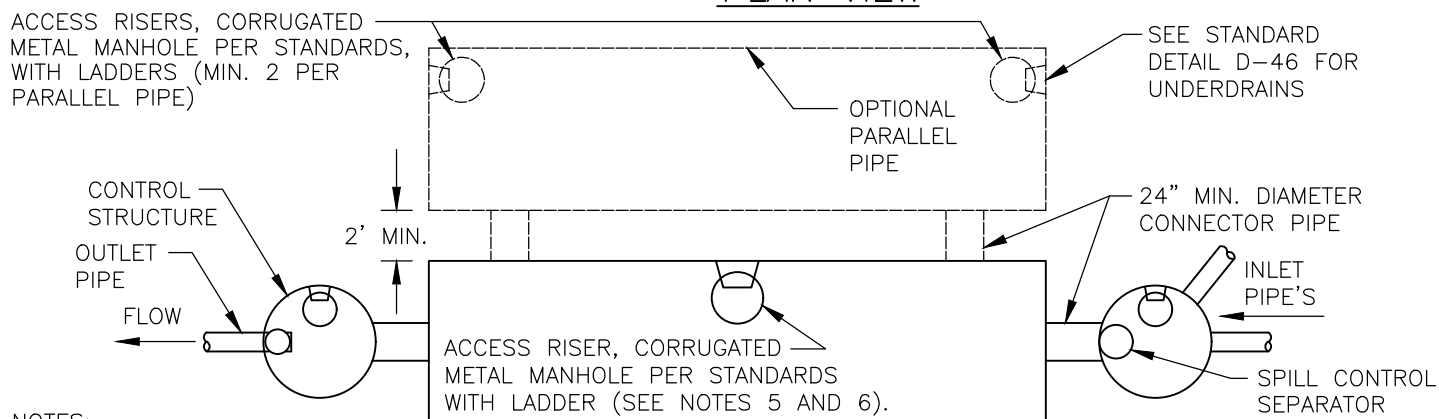


ELEVATION VIEW



PLAN VIEW



NOTES:

1. NEOPRENE GASKETS REQUIRED AT ALL CMP AND CPE PIPE JOINTS.
2. 36" MINIMUM PIPE DIAMETER. PROVIDE TYPE 2 CATCH BASIN AT EACH END OF PIPE (MAXIMUM SPACING SHALL BE 50 FEET).
3. ALL METAL PARTS AND SURFACES SHALL BE CORROSION RESISTANT. STEEL HARDWARE SHALL BE GALVANIZED. PIPE SHALL BE GALVANIZED, ASPHALT COATED (TREATMENT 1) OR ALUMINIZED. COMPLETE CORROSION PROTECTION MUST BE ASSURED.
4. CAPACITY OF OUTLET PIPE MUST BE EQUAL TO OR GREATER THAN ALL INLET PIPES COMBINED.
5. ACCESS RISERS REQUIRED CENTERED OVER EVERY 50' OF DETENTION PIPE WHEN TYPE 2 CATCH BASINS ARE PROVIDED ON EACH END, OR AT EITHER END OF A 50' LONG PARALLEL PIPE AS SHOWN ABOVE. ADDITIONAL ACCESSSES ARE REQUIRED FOR EVERY 50 ADDITIONAL FEET OF DETENTION PIPE. SEE STANDARD DETAIL D-51 FOR ACCESS MANHOLE.
6. IN AREAS WITH VEHICULAR TRAFFIC, PROVIDE TRAFFIC BEARING ACCESS (HS-20) OVER CORRUGATED METAL MANHOLE, PER STANDARD DETAIL D-51.
7. BEDDING SHALL BE IN ACCORDANCE WITH DETAIL D-46 "FLEXIBLE PIPE BENDING".
8. PENETRATE CARRIER PIPE THROUGH VAULT WALL.
9. USE APPROVED WATERTIGHT STRUCTURE ADAPTOR.
10. SLIP SMOOTH-BORE HORIZONTAL LEG OF FLOW CONTROL TEE INSIDE CARRIER PIPE.
11. NO FLOW CONTROL JOINT OUTSIDE OF STRUCTURE.
12. PRIOR TO STARTUP, DETENTION PIPE SHALL PASS LEAK TEST - SEE SECTION D7-06.4



City of
Bellevue

STORM AND SURFACE
WATER UTILITY

TITLE

DETENTION PIPE