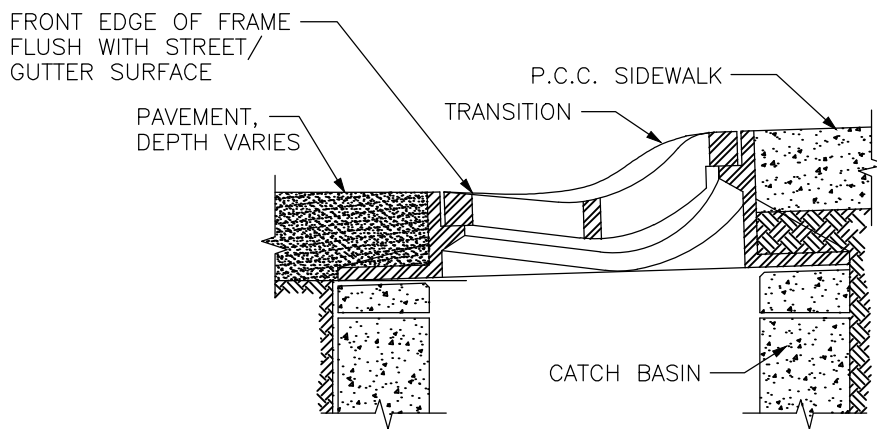


PLAN



SECTION A-A

NOTES:

1. SET FRAME TO GRADE AND CONSTRUCT ROAD AND CURB TO BE FLUSH AT FRONT AND BACK OF FRAME.



City of
Bellevue

STORM AND SURFACE
WATER UTILITY

TITLE

EXISTING ROLLED CURB
FRAME & GRATE INSTALLATION