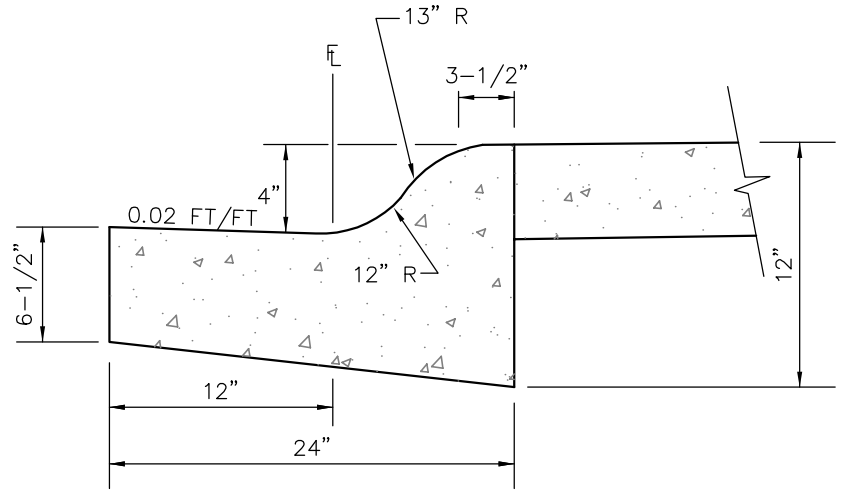
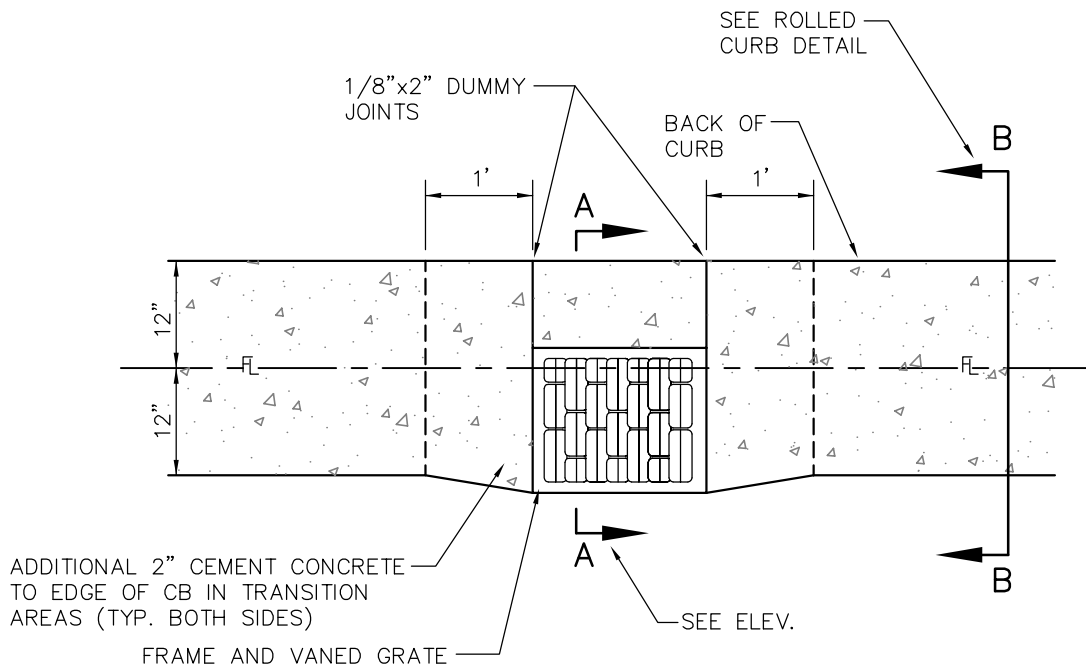


ELEVATION A-A



ELEVATION B-B



NOTES:

1. WHEN A THRU-CURB INLET IS REQUIRED, USE A ROLLED CURB FRAME AND GRATE.



City of
Bellevue

STORM AND SURFACE
WATER UTILITY

TITLE

GRATE FOR EXISTING
ROLLED CURB INSTALLATION