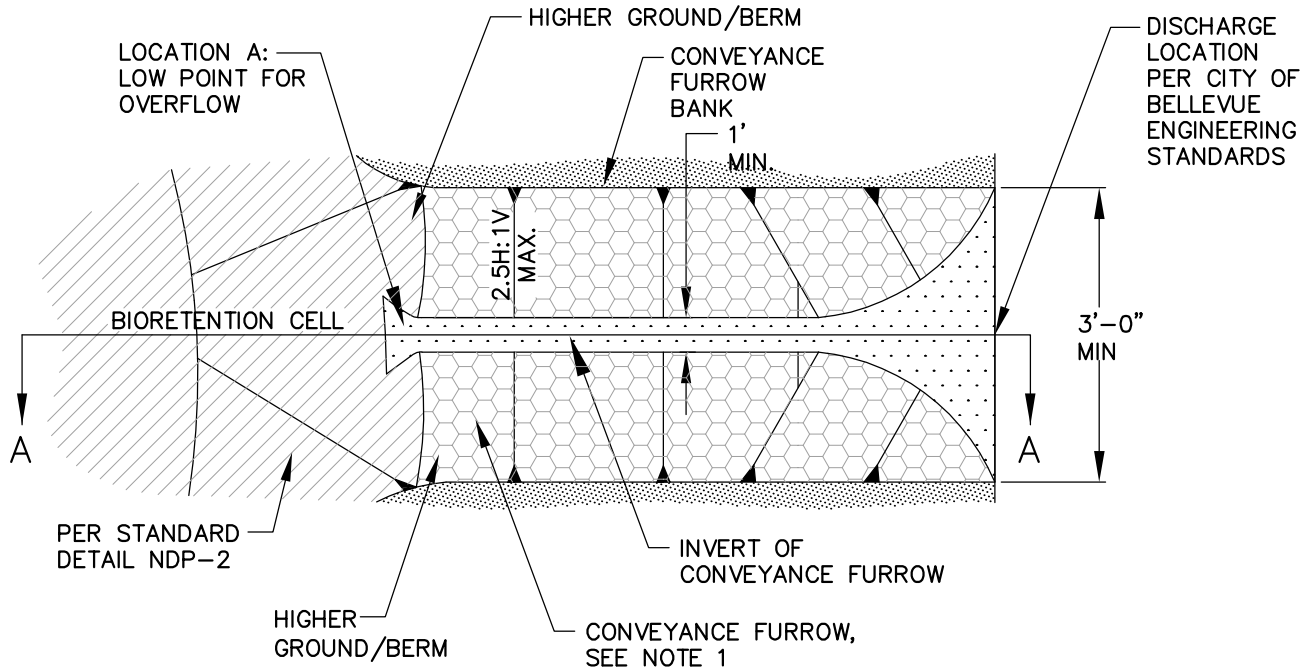
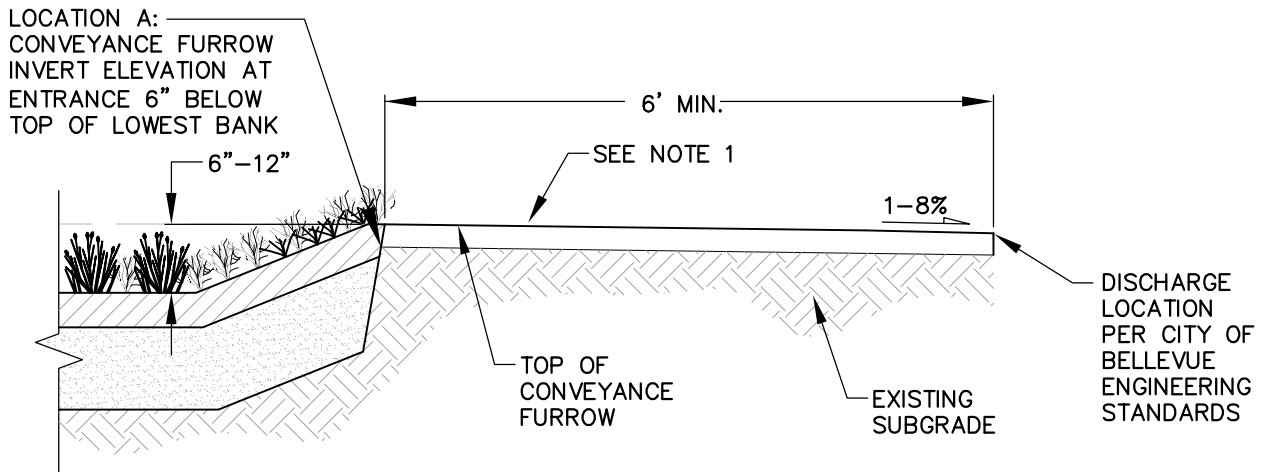


PLAN – BIORETENTION CELL  
OVERFLOW  
WITH CONVEYANCE FURROW



SECTION A – BIORETENTION CELL  
OVERFLOW  
WITH CONVEYANCE FURROW



**NOTE:**

1. LINE CONVEYANCE FURROW WITH STREAMBED COBBLE PER STANDARD SPECIFICATIONS 9-03.11(2) (MIN 6" DEPTH) FOR DESIGN FLOW UP TO 4 F.P.S., OR MIN. 12" BIORETENTION SOIL MIX FOR DESIGN FLOW LESS THAN 4 F.P.S. AND PLANT WITH BIORETENTION GROUND COVERS OR TURF, OR PER ENGINEER'S DESIGN.



**City of  
Bellevue**

STORM AND SURFACE  
WATER UTILITY

TITLE

BIORETENTION OVERFLOW  
WITH CONVEYANCE FURROW