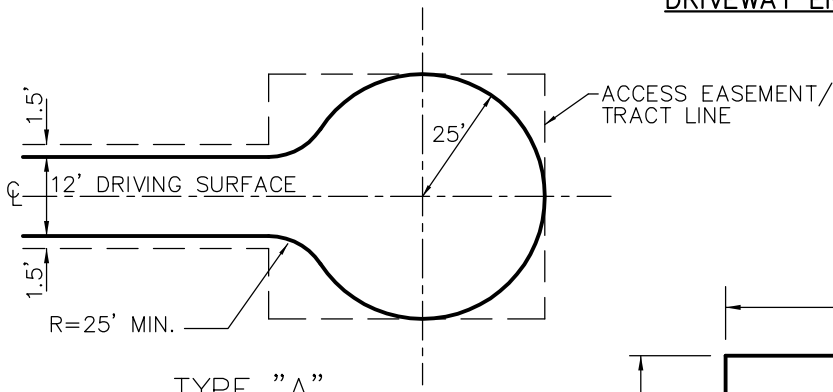
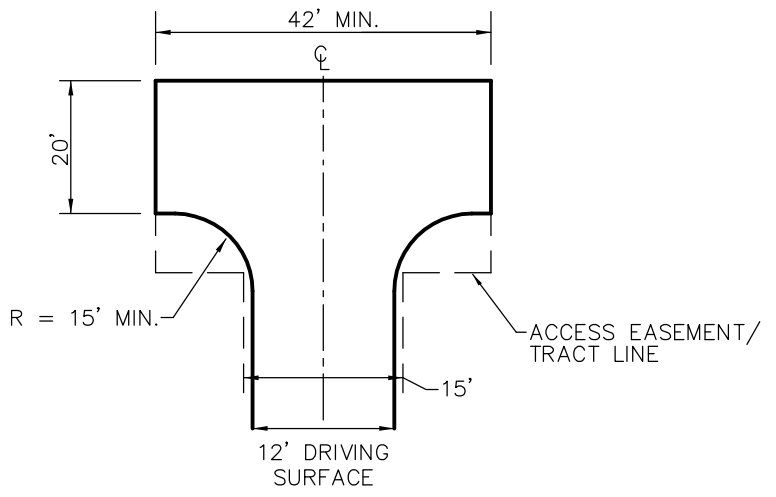


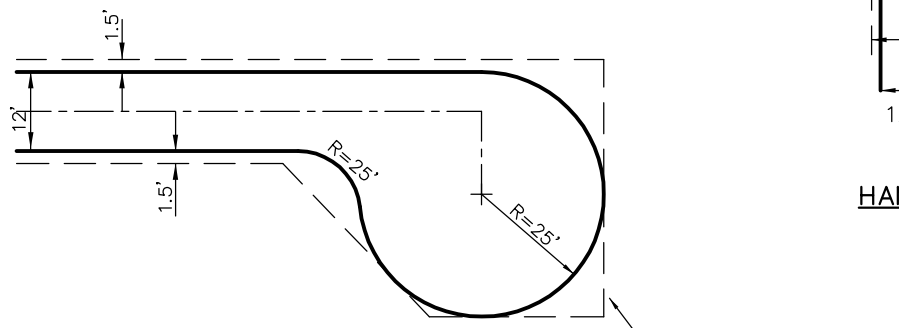
**DRIVEWAY ENTRANCE**



**TYPE "A" TURNAROUND**



**HAMMERHEAD**



**TYPE "B" TURNAROUND**



**City of Bellevue**

**STORM AND SURFACE WATER UTILITY**

**TITLE**

**DRAINAGE FACILITY MAINTENANCE ACCESS**