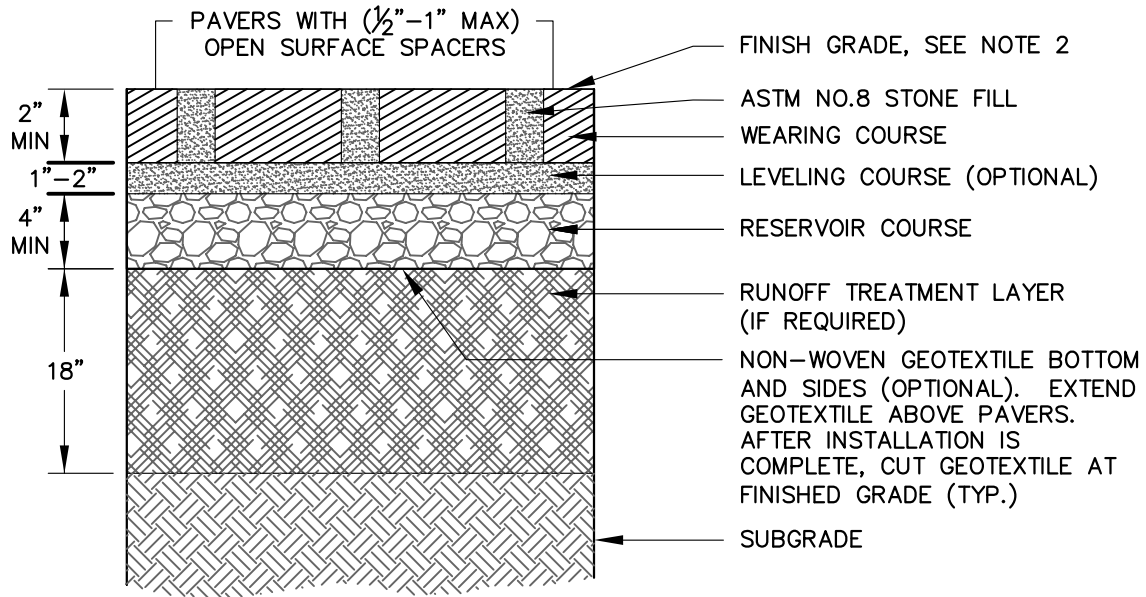
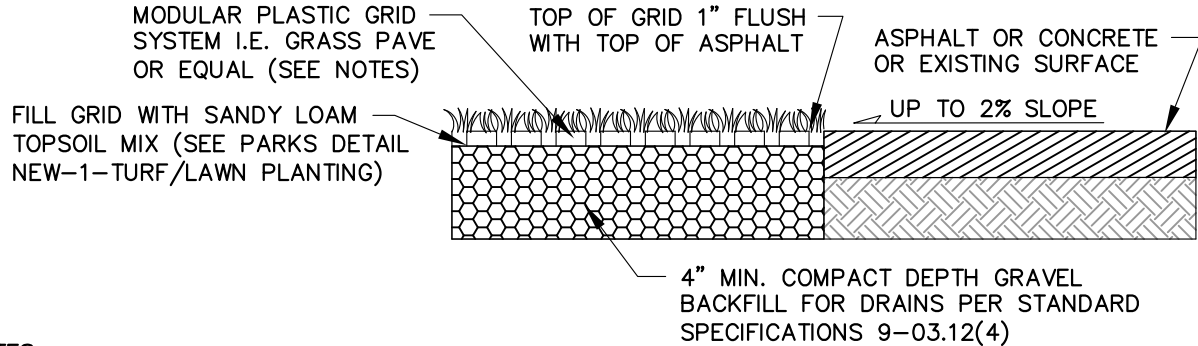


PERVIOUS CONCRETE BLOCK OR "PAVER" SYSTEMS



GRASS PAVING



NOTES:

1. PERVIOUS PAVEMENT WITHIN CITY RIGHT-OF-WAY REQUIRES APPROVAL BY THE CITY WHEN PLACED BENEATH A TRAVELED WAY. THESE GUIDELINES PROVIDE A MINIMUM DEPTH FOR THE HYDROLOGIC PERFORMANCE OF THE PERVIOUS PAVEMENT. THE STRUCTURAL CAPACITY OF PAVEMENT SECTIONS WHEN SUBJECT TO VEHICULAR LOADS DEPENDS ON SEVERAL FACTORS AND MUST BE DESIGNED BY A LICENSED PROFESSIONAL ENGINEER.
2. LONGITUDINAL SLOPE, 0 TO 10% MAX.
3. USE CHECK DAM OR OTHER METHODS TO MAXIMIZE PONDING IN THE SUBSURFACE IF SLOPE EXCEEDS 2%, PER STANDARD DETAIL NDP-15.
4. INSTALL PER LID TECHNICAL GUIDANCE MANUAL FOR PUGET SOUND (2005 OR CURRENT) OR MANUFACTURER.
5. SEE NDP CHAPTER D6-04 HEREIN FOR ALL MATERIALS.
6. SOME INTERLOCKING CONCRETE PAVER SYSTEMS RECOMMEND A BASE COURSE BETWEEN THE LEVELING AND RESERVOIR COURSES.



City of
Bellevue

STORM AND SURFACE
WATER UTILITY

TITLE

PERVIOUS PAVER SYSTEMS