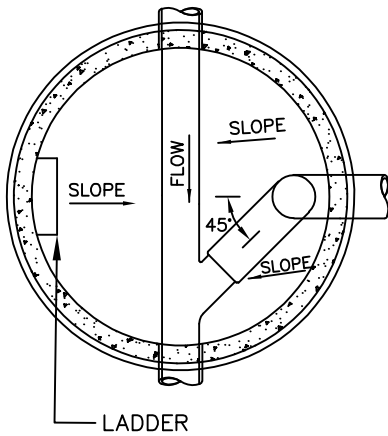
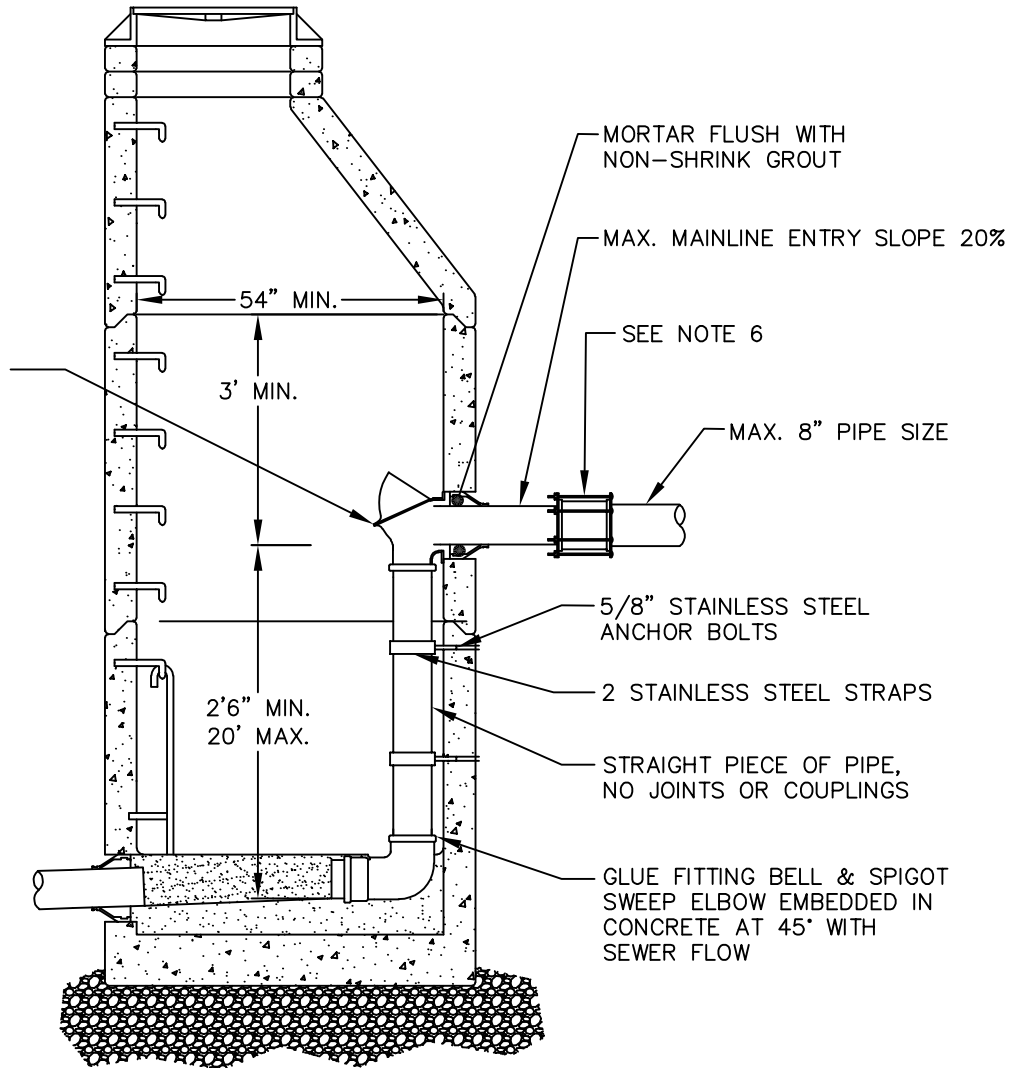


INSIDE DROP BOWL  
MOUNTING POSITION

INSIDE DROP BOWL SECURED  
WITH 5/8" STAINLESS STEEL  
ANCHOR BOLTS



INSIDE DROP - PLAN



**NOTES:**

1. MANHOLE SHALL CONFORM TO GENERAL NOTES AND ALL APPLICABLE REQUIREMENTS OF STANDARD DETAIL S-1.
2. DROP BOWL TO BE INSTALLED MINIMUM OF 3' BELOW CONE SECTION.
3. INSIDE DROP SHALL BE CONSTRUCTED USING ASTM D3034 SDR 35 PIPE AND FITTING.
4. RECHANNEL BASE WITH 3000 PSI CONCRETE. WIDTH AND DEPTH OF CHANNEL MUST EQUAL THE LARGEST PIPE DIAMETER WITH A SLOPE OF 2% MIN. CHANNEL WALLS MUST BE VERTICAL. SLOPE SHELF TO CHANNEL AT 1" PER FOOT MIN.
5. CORE DRILL OPENINGS FOR NEW PIPE AND USE KOR-N-SEAL CONNECTORS OR EQUAL.
6. USE MECHANICAL TRANSITION COUPLING (SEE APPROVED MATERIAL LIST) WHEN CONNECTING TO EXISTING SEWER MAINLINE.
7. CONE MAY NEED TO BE ROTATED AND/OR LADDER MOVED.
8. MINIMUM MANHOLE SIZE IS 54".
8. MAXIMUM OF 2 DROPS PER STRUCTURE.



City of  
Bellevue

SEWER UTILITIES

TITLE

INSIDE DROP STRUCTURE