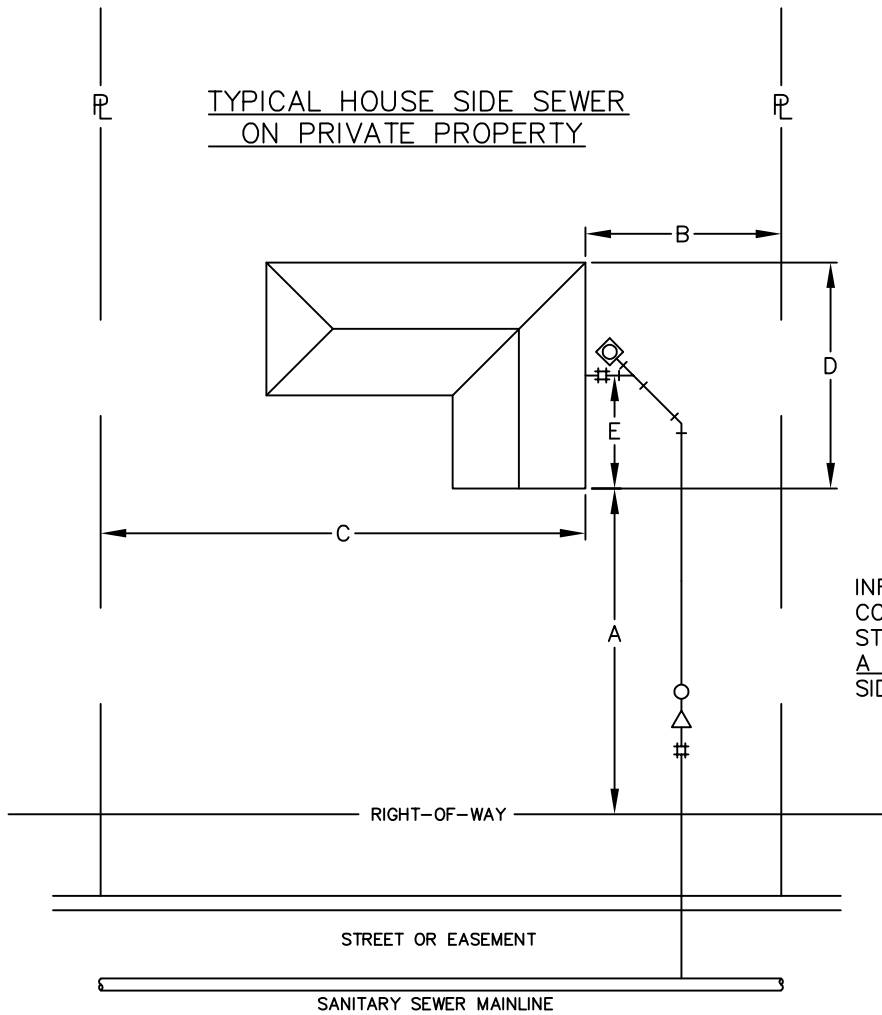
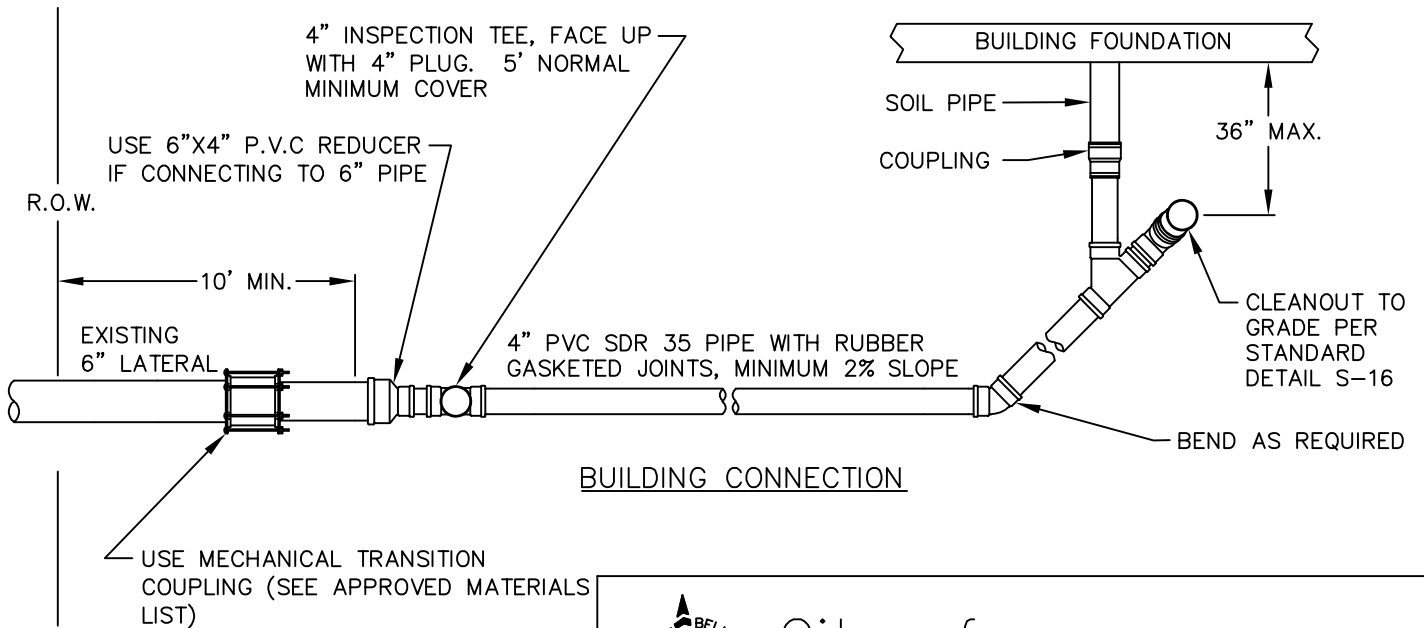


TYPICAL HOUSE SIDE SEWER  
ON PRIVATE PROPERTY



INFORMATION REQUIRED FOR SEWER CONNECTION PERMIT: LEGAL DESCRIPTION, STREET ADDRESS, PLAN WITH DIMENSIONS A THROUGH E SHOWN, AND COMPLETION OF SIDE SEWER APPLICATION.



NOTES:

1. REMOVE 2"x4" STAKE AND CAP OR EXIST SIDE SEWER PIPE AND INSTALL NEW 4" P.V.C SIDE SEWER. USE COUPLINGS, REDUCERS, WYES, TEES, AND BENDS, AS REQUIRED TO FIT.



City of  
Bellevue

SEWER UTILITIES

TITLE

HOUSE SEWER CONNECTION