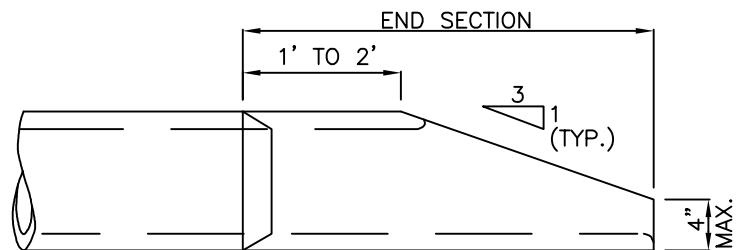
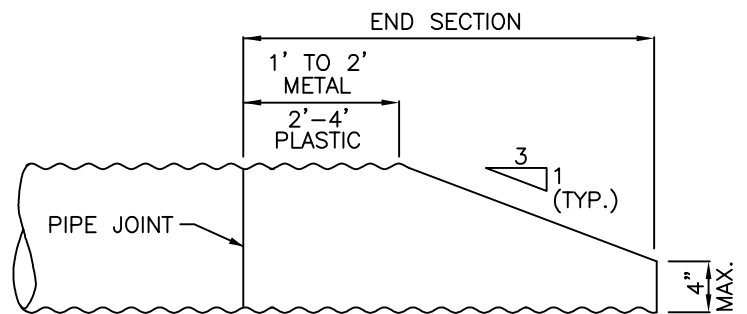


PLAN



ELEVATION

CONCRETE PIPE



ELEVATION

METAL & THERMO-PLASTIC PIPE

NOTE:

1. SIDE SLOPE SHALL BE WARPED TO MATCH THE BEVELED PIPE END. WHEN CULVERT IS ON SKEW, BEVELED END SHALL BE ROTATED TO CONFORM TO SLOPE. IF SLOPE DIFFERS FROM 3:1, PIPE SHALL BE BEVELED TO MATCH SLOPE.



City of
Bellevue

STORM AND SURFACE
WATER UTILITY

TITLE

BEVELED END PIPE SECTION