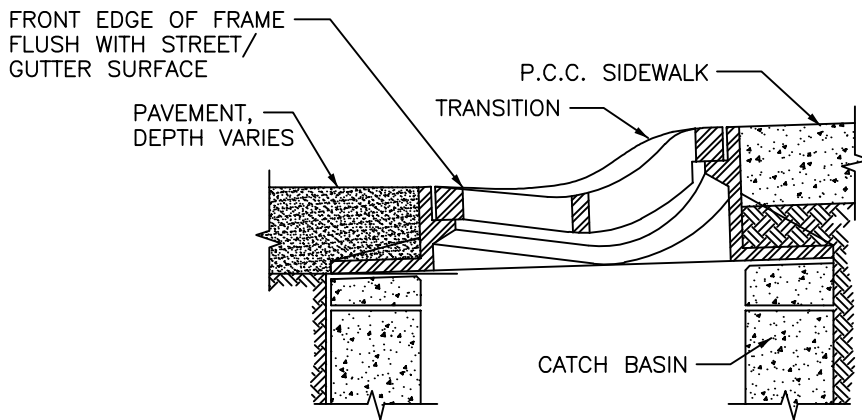


PLAN



SECTION A-A

**NOTES:**

1. SET FRAME TO GRADE AND CONSTRUCT ROAD AND CURB TO BE FLUSH AT FRONT AND BACK OF FRAME.



City of  
Bellevue

STORM AND SURFACE  
WATER UTILITY

TITLE

EXISTING ROLLED CURB  
FRAME & GRATE INSTALLATION